



# Heavy duty machines Catalogue

Update 06/2020

ARM DIESEL SOLUTIONS<sup>®</sup>

<https://armdieselsolutions.com/> – Phone: +1647-901-5903



# CONTENTS

1 Caterpillar Nozzles, Kits and Spare parts.....	3
2 Navistar Nozzles and Kits .....	31
3 Cummins Nozzles .....	41
4 Detroit diesel Nozzles .....	49
5 Perkins Nozzles .....	52
6 Siemens Nozzle .....	55

**OEM CODES AND PARTS NUMBERS ARE  
GIVEN FOR REFERENCE PURPOSE ONLY**

**ABBREVIATIONS**

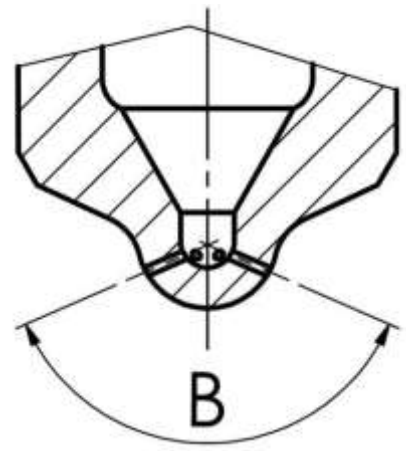
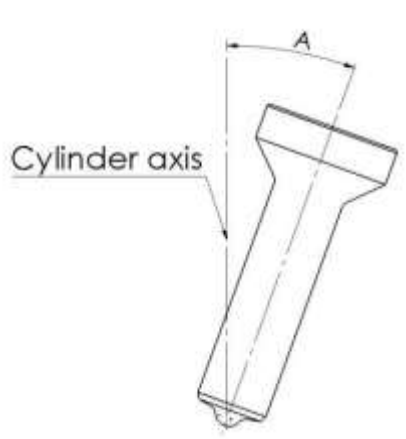
**- Holes**

In this section are reported the information about how many micro holes there are and their diameter, in this following way:      <N.microholes> x <Diameter microholes>

**- Angles**

In this section are reported the information related to nozzle and micro holes angular position

Engine Angles	Spray Angle
A	B



# 1 Caterpillar Nozzles, Kits and Spare parts

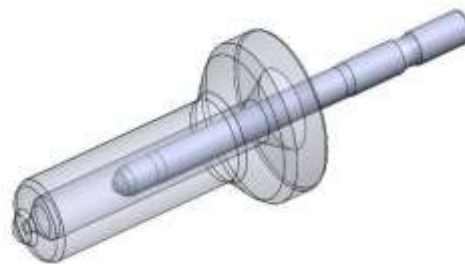
[3]

Suitable for

CAT<sup>®</sup> C7 - C9 - C10 - C13 - C15 - 3406E – 3516E

Perkins<sup>®</sup> 3176C

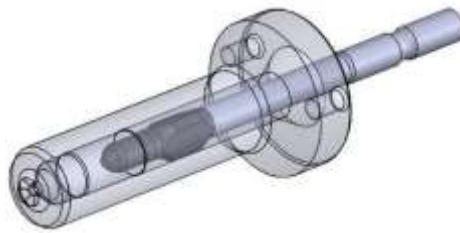
## Caterpillar Nozzles



FIRAD code	Engine Angle	Spray Angle	CAT <sup>®</sup> Injector Part Number	Stamping	Engines	Holes
<b>C800T</b>	15°	132°	10R-4763=387-9428 10R-7225=387-9427 263-8218	015T396554 221F426554	C7	6 x 0,160
<b>C800U</b>	15°	132°	10R-4761=387-9430	315T426203	C7	6 x 0,140
<b>C800V</b>	0°	127°		099S423176		5 x 0,215
<b>C800W</b>	0°	127°	10R-7222=387-9433 10R-4764=387-9438 254-4339 20R-8064	330T418062	C7	5 x 0,210
<b>C800X</b>	0°	127°		264F413249		5 x 0,185

[4]

<b>C800Z</b>	0°	127°40'		123408062		5 x 0,225
<b>C801G</b>	15°	132°	10R-4762=387-9429	266F425162	C7	6 x 0,150



<b>FIRAD code</b>	<b>Engine Angle</b>	<b>Spray Angle</b>	<b>CAT<sup>®</sup> Injector Part Number</b>	<b>Stamping</b>	<b>Engines</b>	<b>Holes</b>
<b>C800E</b>	0°	129°	10R-7224=236-0962 235-2888	055T420553	C9	6 x 0,165



<b>FIRAD code</b>	<b>Engine Angle</b>	<b>Spray Angle</b>	<b>CAT<sup>®</sup> Injector Part Number</b>	<b>Stamping</b>	<b>Engines</b>	<b>Holes</b>
<b>C800A</b>	0°	130°			3406E	8 x 0,220
<b>C800F</b>	0°	130°			3516E	6 x 0,295

[5]

ARM DIESEL SOLUTION<sup>®</sup>

<https://armdieselsolutions.com/> – Phone: +1 647-901-5903

<b>C801B</b>	0°	148°	10R-0725=212-3464		C10 3176C	8 x 0,200
--------------	----	------	-------------------	--	--------------	-----------



<b>FIRAD code</b>	<b>Engine Angle</b>	<b>Spray Angle</b>	<b>CAT<sup>®</sup> Injector Part Number</b>	<b>Stamping</b>	<b>Engines</b>	<b>Holes</b>
<b>C800G</b>	0°	130°	10R-2772=253-0618 CH10948(Perkins)		3406E 2806	6 x 0,275
<b>C800GA</b>	0°	130°	10R-2772=253-0618 CH10948(Perkins)		3406E 2806	6 x 0,260
<b>C800P</b>	0°	130°			18L	6 x 0,290
<b>C800Y</b>	0°	130°	10R-8501=211-3023		C15, C13 3406E C16	6 x 0,215
<b>C800J</b>	0°	130°	10R-3264=253-0615		3406E	6 x 0,225
<b>C800N</b>	0°	132°		145T909108		6 x 0,160

[6]

ARM DIESEL SOLUTION<sup>®</sup>

<https://armdieselsolutions.com/> – Phone: +1 647-901-5903

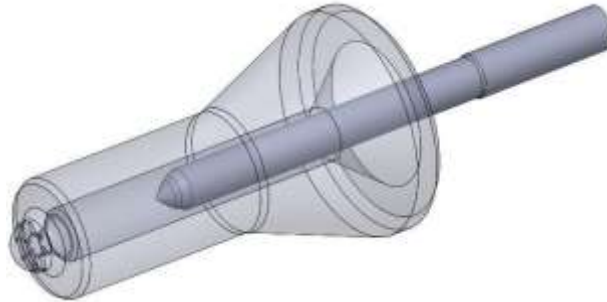
<b>C801E</b>	0°	130°	CH12082(Perkins)		C15 3176C C10	6 x 0,240
<b>C801F</b>	0°	132°	200-1117 CH12071(Perkins) 10R-8988=295-9085	257F709083	3406E	6 x 0,320

<b>FIRAD code</b>	<b>Engine Angle</b>	<b>Spray Angle</b>	<b>CAT<sup>®</sup> Injector Part Number</b>	<b>Stamping</b>	<b>Engines</b>	<b>Holes</b>
<b>C801J</b>	0°	140°	10R-0725=212-3464		C10 3176C	8 x 0,195
<b>C801N</b>	0°	127°		009T703484		6 x 0,220
<b>C801R</b>	0°	126°	20R-2284=374-0750	152S703437 3437-N2		6 x 0,225
<b>C801P</b>	0°	130°	20R-2285=374-0751	191T710635		6 x 0,195
<b>C801V</b>	0°	131°	20R-0055=317-5278	323T709108		6 x 0,165
<b>C801T</b>	0°	130°30'				6 x 0,300
<b>C802G</b>	0°	131°	10R-0955=211-3025	234T733665	C15	6 x 0,250
<b>C802N</b>	0°	130°	10R-0956=211-3022		3406E	6 x 0,200

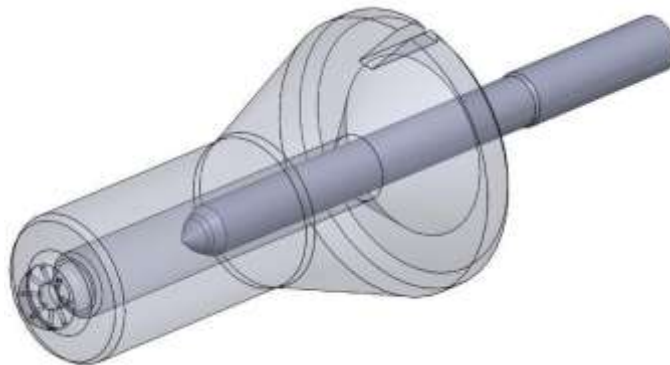
[7]

<b>C802P</b>	0°	130°	10R-0957		3406E	6 x 0,215
<b>C802R</b>	0°	131°	10R-0958		3406E	6 x 0,230
<b>C802M</b>	0°	130°	10R-0963=212-3463	053F803444	C10	6 x 0,180
<b>C802S</b>	0°	130°	10R-3262=249-0713		C13 C11	6 x 0,310
<b>FIRAD code</b>	<b>Engine Angle</b>	<b>Spray Angle</b>	<b>CAT<sup>®</sup> Injector Part Number</b>	<b>Stamping</b>	<b>Engines</b>	<b>Holes</b>
<b>C802F</b>	0°	147°	10R0967	119F723412		6 x 0,165
<b>C802T</b>	0°	125°		291F705909		6 x 0,270
<b>C802V</b>	0°	130°	211-3022 249-0713 10R-2782 10R-3262		C13 C11	6 x 0,225
<b>C802W</b>	0°	125°30'	374-0750 20R-2284		365C	6 x 0,225





FIRAD code	Engine Angle	Spray Angle	CAT <sup>®</sup> Injector Part Number	Stamping	Engines	Holes
C800H	0°	160°			3516E	8 x 0,290
C800R	0°	150°		265F503538		10 x 0,255
C800S	0°	150°	250-1300 229-0169		3500	10 x 0,310



FIRAD code	Engine Angle	Spray Angle	CAT <sup>®</sup> Injector Part Number	Stamping	Engines	Holes
C800C	0°	160°	10R-1290=250-1311 20R-0849=392-0211	136F009455 229F400162	3516E	8 x 0,295

<b>C800D</b>	0°	160°	20R-0849=166-6006 20R-1270=148-5759		3516E	8 x 0,300
<b>C800DA</b>	0°	160°				
<b>C800DB</b>	0°	160°				
<b>C800L</b>	0°	156°		007T509455 006S509455	3516E	8 x 0,310
<b>C801S</b>	0°	140°				7 x 0,305
<b>C801U</b>	0°	135°				7 x 0,295

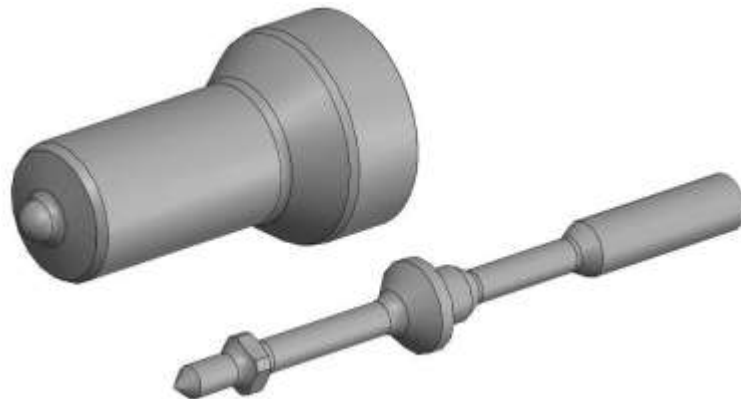


<b>FIRAD code</b>	<b>Engine Angle</b>	<b>Spray Angle</b>	<b>CAT<sup>®</sup> Injector Part Number</b>	<b>Stamping</b>	<b>Engines</b>	<b>Holes</b>
<b>C802H</b>	0°	124°	10R-1273=249-0709		C15	6 x 0,205

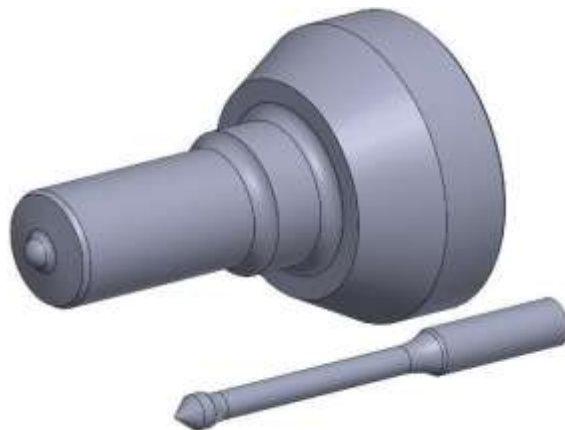
<b>C802J</b>	0°	125°	10R-1000=229-5919		C15	6 x 0,215
<b>C802L</b>	0°	130°	10R-2977=249-0708		C13	6 x 0,195



<b>FIRAD code</b>	<b>Engine Angle</b>	<b>Spray Angle</b>	<b>CAT<sup>®</sup> Injector Part Number</b>	<b>Stamping</b>	<b>Engines</b>	<b>Holes</b>
<b>C800B</b>	0°	137°			3116	6 x 0,225
<b>C801A</b>	0°	155°20'	OR-8475		C15	6 x 0,220
<b>C802U</b>	0°	136°				6 x 0,155

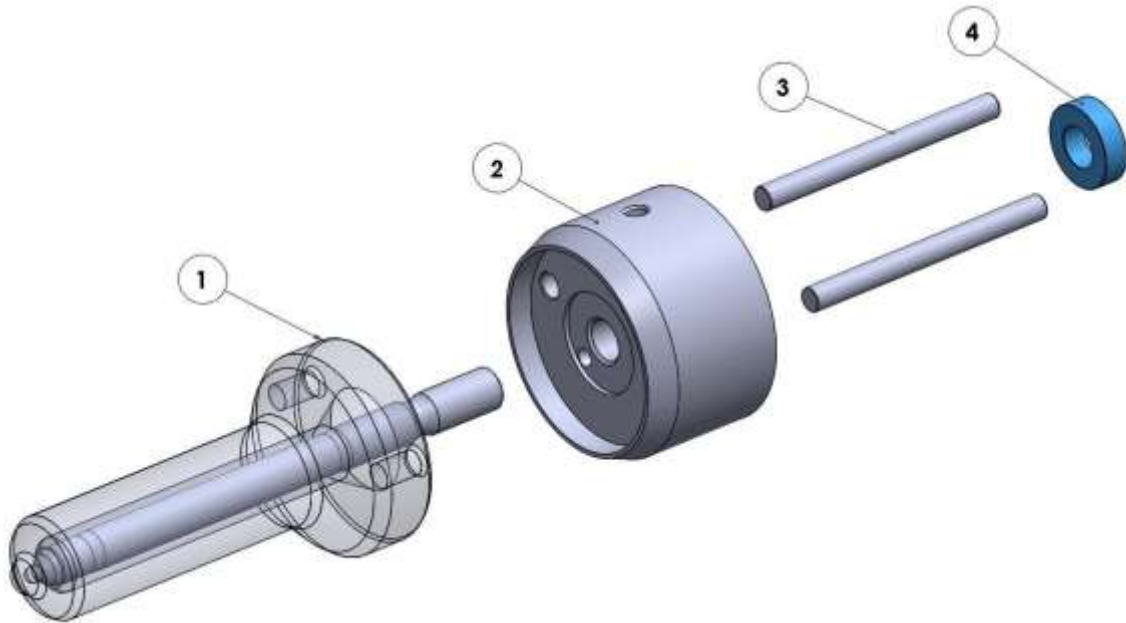


FIRAD code	Engine Angle	Spray Angle	CAT <sup>®</sup> Injector Part Number	Stamping	Engines	Holes
<b>C700A</b>	0°	129°30'	331-5895 =10R-8998		C175-16 793F 797F	5 x 0,375



FIRAD code	Engine Angle	Spray Angle	CAT <sup>®</sup> Injector Part Number	Stamping	Engines	Holes
<b>C710A</b>	0°	131°		13817241		6 x 0,200

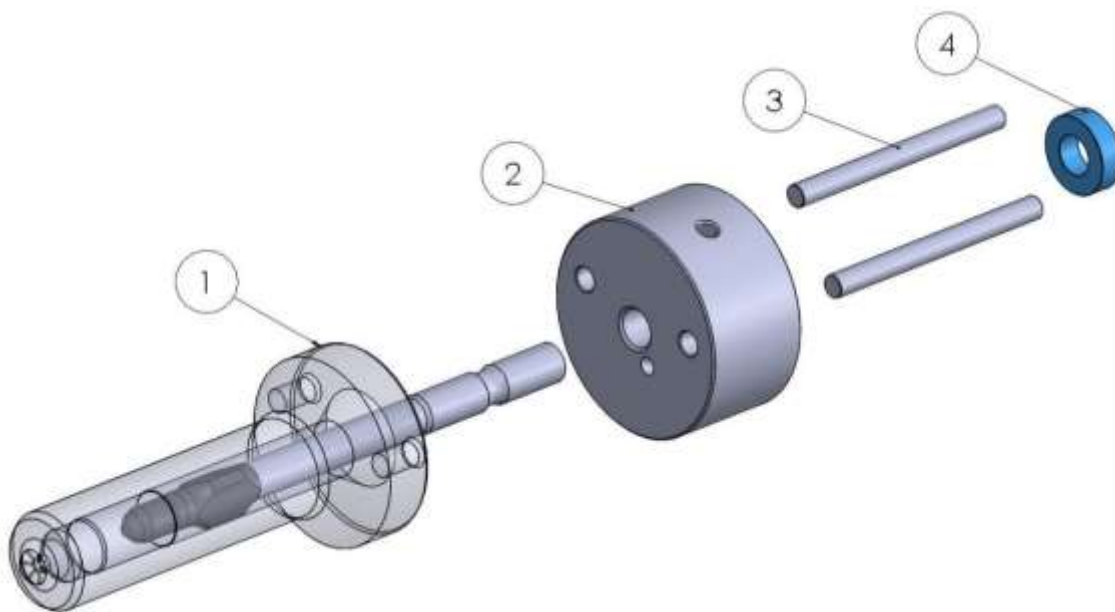
## Caterpillar Nozzle kits



N. Part	Description	FIRAD code
1		FIRAD Nozzle
2	Bush	MCBU002
3	Reference Pin	MCCPN001
4	Gasket	MCGA001

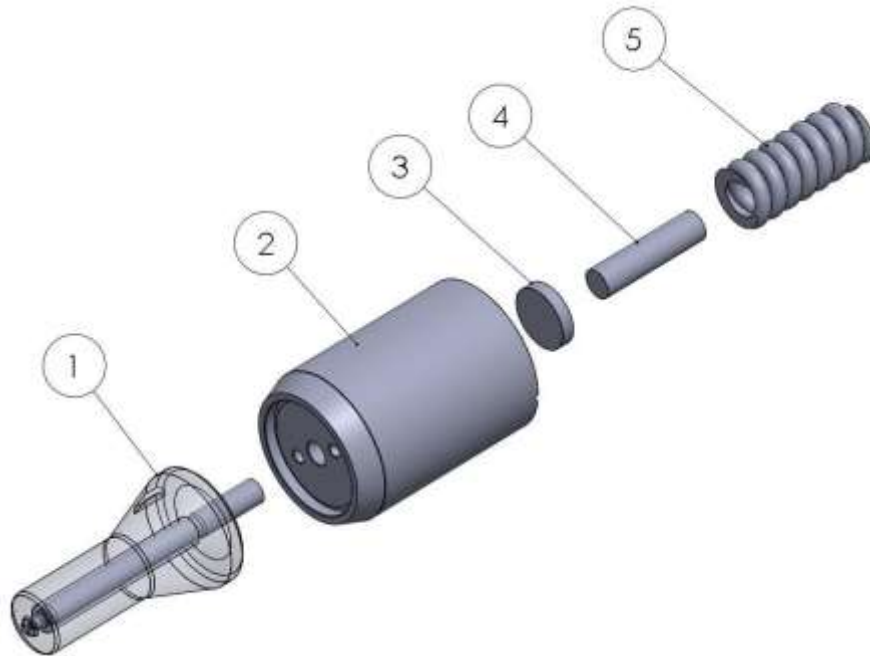
FIRAD code kit	Firad Nozzle	CAT <sup>®</sup> Injector Part Number	Engine
FD00800T	C800T	10R-4763=387-9428 10R-7225=387-9427 263-8218	C7
FD00800U	C800U	10R-4761=387-9430	C7

<b>FD00800W</b>	C800W	10R-7222=387-9433 10R-4764=387-9438 254-4339	C7
<b>FD00801G</b>	C801G	10R-4762=387-9429	C7



N. Part	Description	FIRAD code
<b>1</b>		<b>FIRAD Nozzle</b>
<b>2</b>	<b>Bush</b>	<b>MCBU003</b>
<b>3</b>	<b>Reference Pin</b>	<b>MCCPN001</b>
<b>4</b>	<b>Gasket</b>	<b>MCGA001</b>

<b>FIRAD code kit</b>	<b>Firad Nozzle</b>	<b>CAT<sup>®</sup> Injector Part Number</b>	<b>Engine</b>
<b>FD00800E</b>	C800E	10R-7224=236-0962 235-2888	C9



N. Part	Description	FIRAD code
1		FIRAD Nozzle
2	Bush	MCBU001
3	Shim	MCSH001-220
4	Pin	MCPN001-19205
5	Spring	MCSP001

FIRAD code kit	Firad Bush	Firad Nozzle	CAT <sup>®</sup> Injector Part Number	Engine
FD150955	MCBU001-E	C802G	10R-0955=211-3025	C15
FD151273	MCBU001-D	C802H	10R-1273=249-0709	C15



<b>FD155919</b>	MCBU001-D	C802J	10R-1000=229-5919	C15
<b>FD132977</b>	MCBU001-C	C802L	10R-2977=249-0708	C13

<b>FIRAD code kit</b>	<b>Firad Bush</b>	<b>Firad Nozzle</b>	<b>CAT<sup>®</sup> Injector Part Number</b>	<b>Engine</b>
<b>FD00800G</b>	MCBU001-E	C800G	10R-2772=253-0618 CH10948(Perkins)	3406E 2806
<b>FD00800C</b>	MCBU001-F	C800C	10R-1290=250-1311 20R-0849=392-0211	3516E
<b>FD00800J</b>	MCBU001-D	C800J	10R-3264=253-0615	3406E
<b>FD00802S</b>	MCBU001-C	C802S	10R-3262=249-0713	C13 C11
<b>FD00801P</b>	MCBU001-D	C801P	20R-2285=374-0751	6015B
<b>FD102772</b>	MCBU001-D	C800G	10R-2772=253-0618	C15 C18
<b>FD00800D</b>	MCBU001-F	C800D	20R-0849=166-6006	5230B 5130B



<b>FD00801F</b>	MCBU001-E	C801F	10R-8988=295-9085	C18 C32
<b>FD00801R</b>	MCBU001-D	C801R	20R-2284	3406E C15 C16
<b>FD00801P</b>	MCBU001-D	C801P	20R-2285=374-0751	
<b>FD00800Y</b>	MCBU001-E	C800Y	10R-8501=211-3023	C15, C13 3406E C16
<b>FD00800A</b>	MCBU001-E	C800A		
<b>FIRAD code kit</b>	<b>Firad Bush</b>	<b>Firad Nozzle</b>	<b>CAT<sup>®</sup> Injector Part Number</b>	<b>Engine</b>
<b>FD0CJ800</b>	MCBU001-C	C800J	10R-3264=253-0615	3406E
<b>FD00801E</b>	MCBU001-D	C801E	CH12082(Perkins)	C15 3176C C10
<b>FD0CA800</b>	MCBU001-C	C800A		

## Caterpillar plunger valve kits

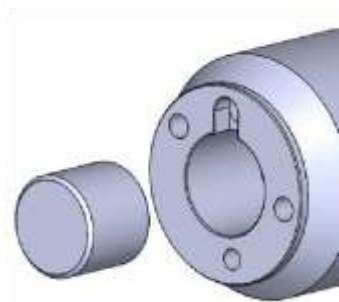
[17]

ARM DIESEL SOLUTION<sup>®</sup>

<https://armdieselsolutions.com/> – Phone: +1 647-901-5903

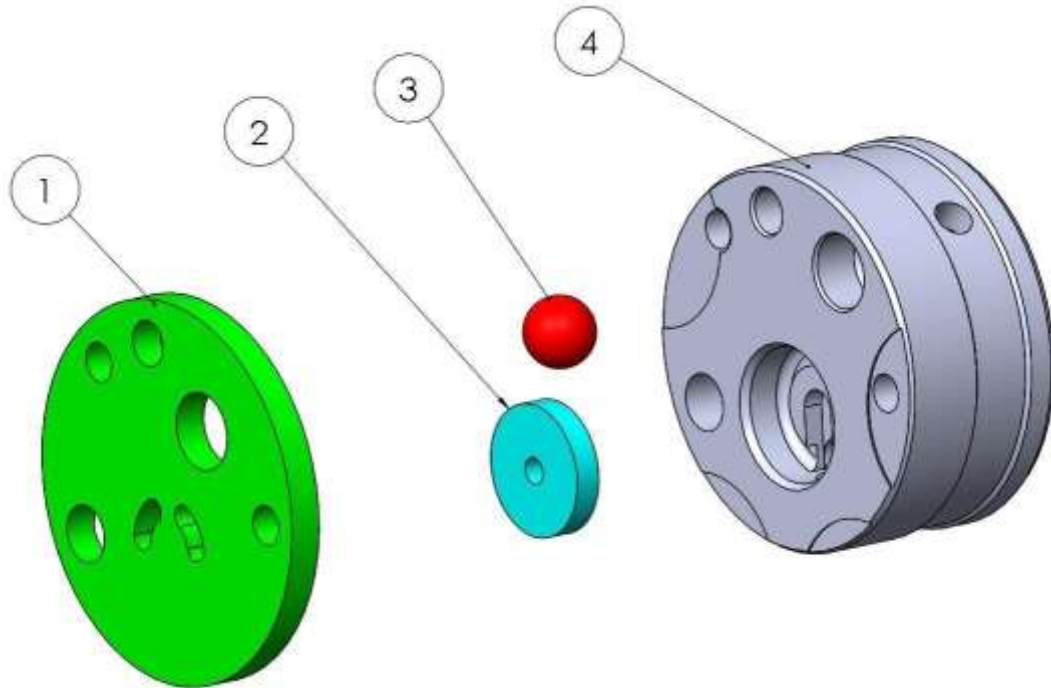


FIRAD code	Engine
FDK00003	C7



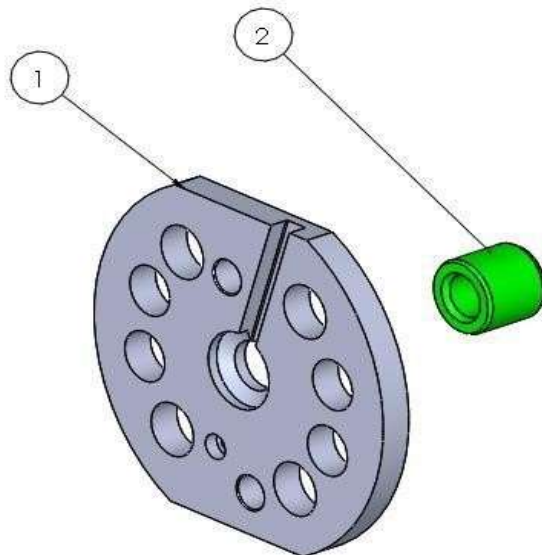
FIRAD code	Engine
FDK00002	C9

## Caterpillar one way valve kits



FIRAD Code	N. Part	FIRAD code	Engine
FDK00001	1	MCSA002	C9
	2	MCSA004	
	3	MCBA001	
	4	MCSA001	
FDK00005	1	MCSA005	C7
	2	MCSA004	
	3	MCBA001	
	4	MCSA006	

## Caterpillar exhaust valve kit



N. Part	FIRAD code
1	MCPL001
2	MCSS001

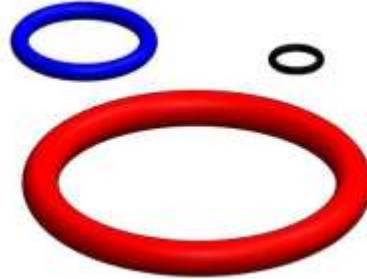
FIRAD code	Engine
FDK00004	C9

[20]

ARM DIESEL SOLUTION<sup>®</sup>

<https://armdieselsolutions.com/> – Phone: +1 647-901-5903

## External Seal Kit



FIRAD code	CAT <sup>®</sup> Injector Part Number	Engines
<b>MCESK001</b>	249-0713=10R-3262 253-0618=10R-2772 374-0751=20R-2285 20R-2284 276-8307=10R7231 295-9085=10R8988	3116
<b>MCESK002</b>	166-6006=20R-0849 148-5759=20R-1270	C15



FIRAD code	Engines
MCESK003	C9



FIRAD code	Engines
MCESK004	C9



FIRAD code	Engines
MCESK005	C9

FIRAD code	Engines
MCESK006	C9





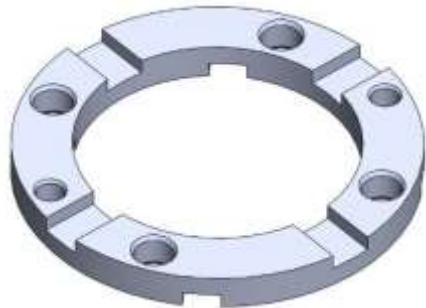
FIRAD code	Engines
MCESK007	3500



FIRAD code	Engines
MCESK008	3516

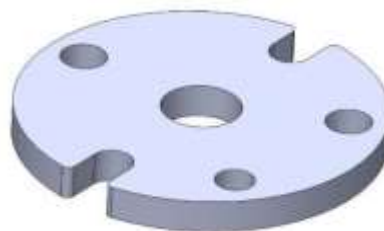
## Caterpillar spare parts



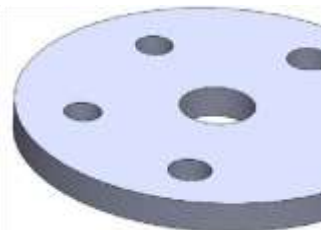


Solenoid spacer

		FIRAD code	Thickness	Engine
		MCSL001-288	2,88 mm	C9 – C7
		MCSL001-290	2,90 mm	C9 – C7
		MCSL001-292	2,92 mm	C9 – C7
		MCSL001-294	2,94 mm	C9 – C7
		MCSL001-296	2,96 mm	C9 – C7
FIRAD code	Engine			
MCSA003	C9			

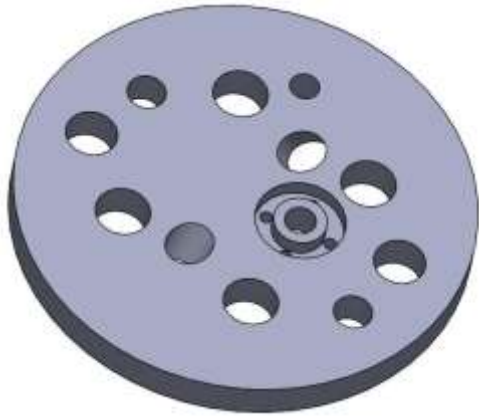


Plate



FIRAD code	Engine
MCSA007	C7

[25]



**Hydraulic flow control plate**

FIRAD code	Engine
MCPL002	C7

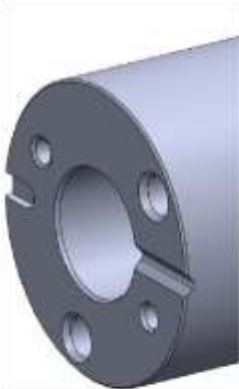
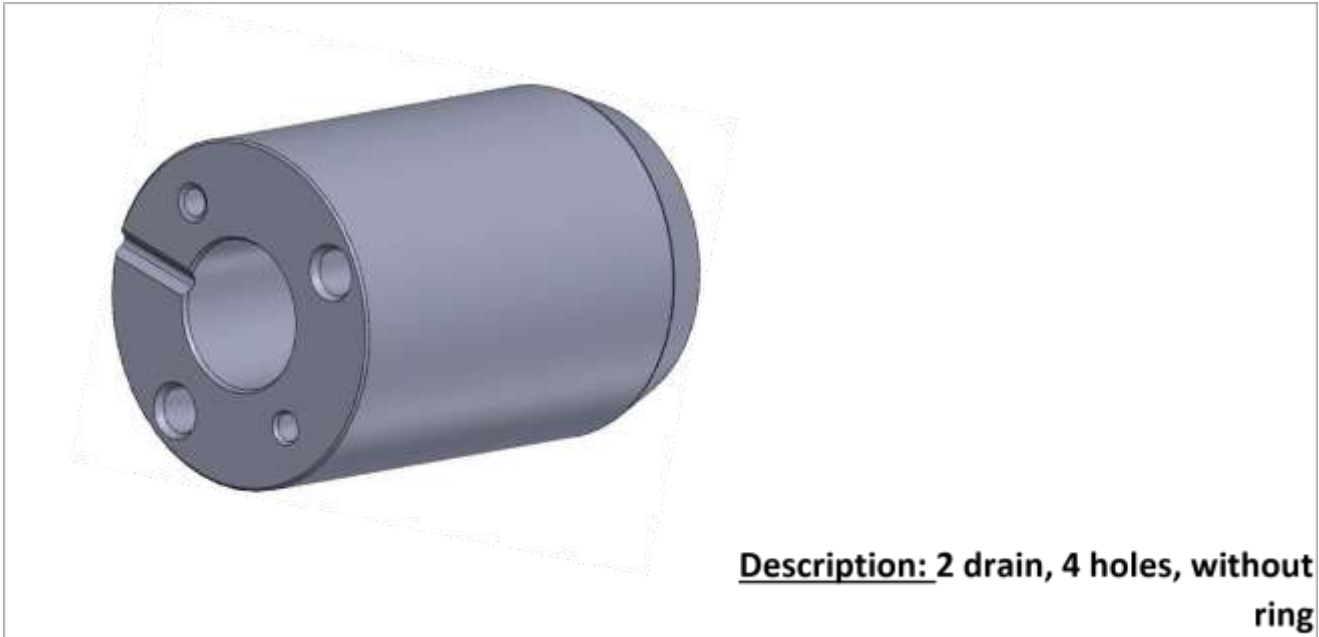


**Caterpillar Bush**

FIRAD code	Engine
MCBU001-B	3406E 2806 3516E C13 – C15

**Description: 2 drain, 4 holes, out ring**

FIRAD code	Engine
MCBU001-C	3406E 2806 3516E C13 – C15



FIRAD code	Engine
MCBU001-D	3406E 2806
	3516E
	C13 – C15

**Description: 2 drains, 4 holes, out ring**



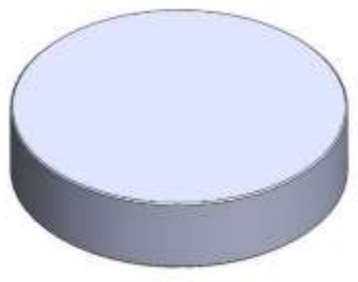
FIRAD code	Engine
MCBU001-E	3406E 2806
	3516E
	C13 – C15

**Description: 1 drain, 3 holes, out ring**



FIRAD code	Engine
MCBU001-F	3406E 2806
	3516E
	C13 – C15

**Description: 1 drain, 3 holes, out ring**



<b>FIRAD code</b>	<b>Thickness</b>	<b>Engine</b>
<b>MCSH001-210</b>	2,10 mm	C13 - C15 - 3406E
<b>MCSH001-215</b>	2,15 mm	C13 - C15 - 3406E
<b>MCSH001-220</b>	2,20 mm	C13 - C15 - 3406E
<b>MCSH001-225</b>	2,25 mm	C13 - C15 - 3406E
<b>MCSH001-230</b>	2,30 mm	C13 - C15 - 3406E
<b>MCSH001-235</b>	2,35 mm	C13 - C15 - 3406E
<b>MCSH001-240</b>	2,40 mm	C13 - C15 - 3406E

Shim

**Outer diameter: 10 mm**

<b>MCSH001-245</b>	2,45 mm	C13 - C15 - 3406E
<b>MCSH001-250</b>	2,50 mm	C13 - C15 - 3406E
<b>MCSH001-255</b>	2,55 mm	C13 - C15 - 3406E
<b>MCSH001-260</b>	2,60 mm	C13 - C15 - 3406E



## 2 Navistar Nozzles and Kits

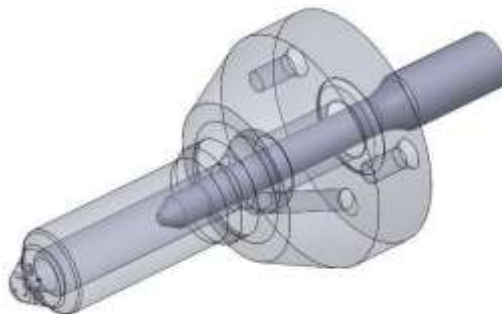
Suitable for

Navistar<sup>®</sup> HEUI engines

Ford<sup>®</sup> Powerstroke 7.3

Caterpillar<sup>®</sup> 3126 HEUI – 3408 - 3412

### Navistar Nozzles



[31]

ARM DIESEL SOLUTION<sup>®</sup>

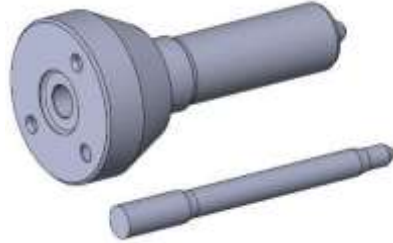
<https://armdieselsolutions.com/> – Phone: +1 647-901-5903

<b>FIRAD code</b>	<b>Engine Angle</b>	<b>Spray Angle</b>	<b>OEM Part Number</b>	<b>Ford Injector</b>	<b>Navistar Injector</b>	<b>Holes</b>
<b>NS0AA F</b>	7°30'	152°	AP63800AA	F81Z9E527DRM F4TZ9VE527AA RM F7TZ9E527ARM	1822800C95 1816187C3 1822801C98 1822801C99 1821836C3	7 x 0,165
<b>NS9BE F</b>	10°	142°	AP63809BE		1829838C94 1829926C2 1829839C93 1829839C94 1829837C2	5 x 0,220
<b>NS1BI F</b>	10°30'	145°	AP63811BI		1830740C92 1830560C2 1830561C92 1830562C2 1830741C92 1830741C93	6 x 0,170
<b>NS2BJ F</b>	10°30'	145°	AP63812BJ		1830570C92 1830571C2 1830572C92 & 93 1830573C2	6 x 0,190
<b>NS5BK F</b>	6°	146°	DPE41026/31			6 x 0,225
<b>NS6BN F</b>	9°	148°	8991056		1830691C1 1830692C91 1830693C1 1830694C91 2593597C91	6 x 0,205
<b>FIRAD code</b>	<b>Engine Angle</b>	<b>Spray Angle</b>	<b>OEM Part Number</b>	<b>Ford Injector</b>	<b>Navistar Injector</b>	<b>Holes</b>





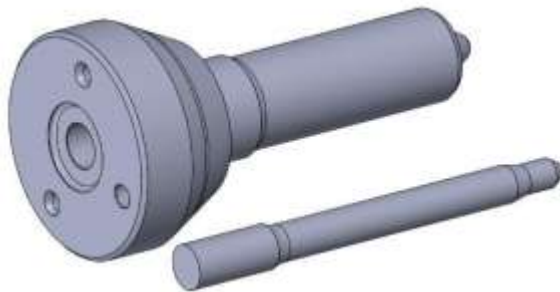
<b>NS7BD F</b>	11°	146°	8991055			5 x 0,235
<b>NS3BC F</b>	10°	142°	8991035			5 x 0,220



FIRAD code	Engine Angle	Spray Angle	OEM Part Number	CAT® Injector Part Number	CAT® Reman Injector Part Number	Engine	Holes
<b>CN900B</b>	16°30'	140°	DPE41026/32 (6-16)	141-7837 155-1819 169-7408 171-9704 171-9710 173-9272 173-9379 173-9380 188-1320 196-4229 222-5972	OR-9350 OR-9348 <b>10R-1257</b>	3126E 3126B 3126	6 x 0,165
<b>CN900C</b>	16°30'	140°	DPE41026/32 (6-17)	173-4059 173-4061 173-9267 173-9268 196-1401 222-5963 222-5967	OR-9349 10R-1262 10R-0782	3126 3126E 3126B	6 x 0,175
<b>CN900E</b>	16°30'	140°	(6-175)	222-5966	10R-0781	3126E 3126B	6 x 0,175

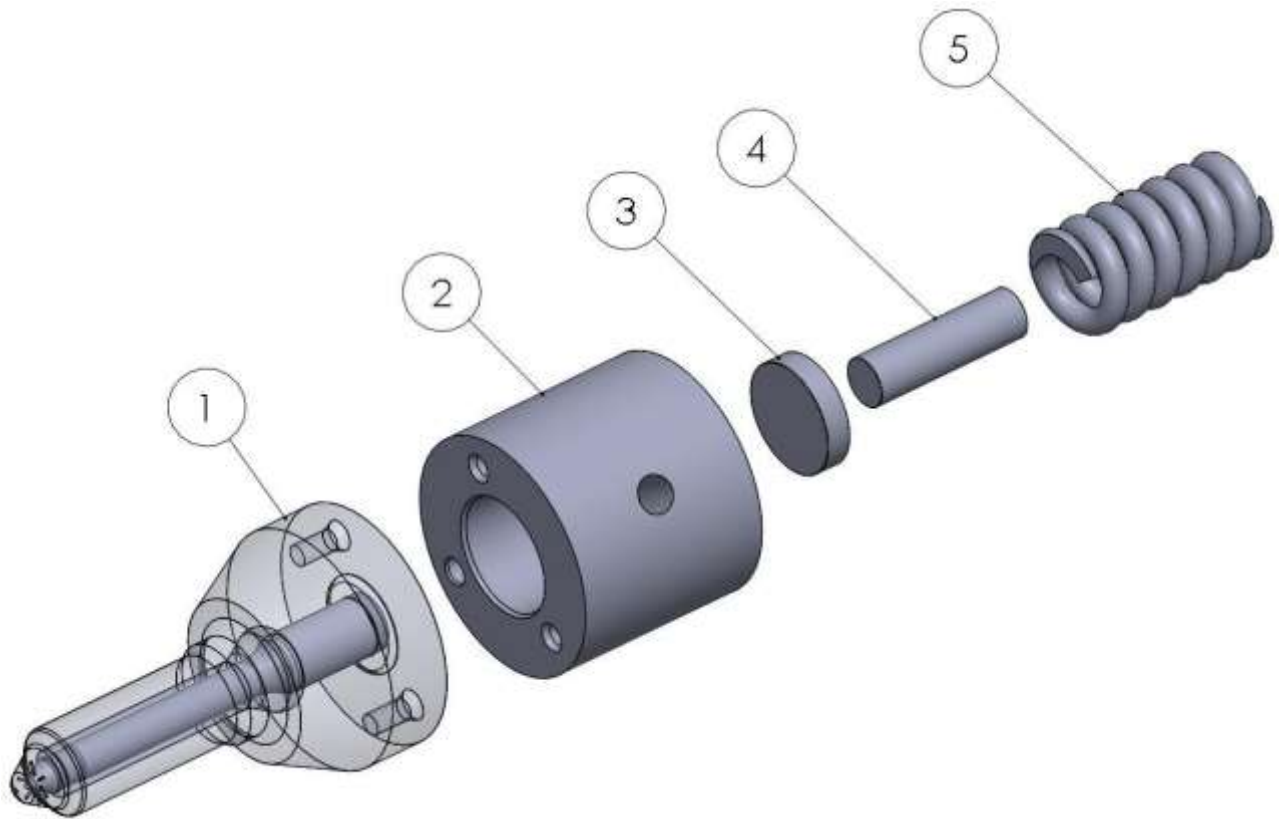


FIRAD code	Engine Angle	Spray Angle	OEM Part Number	CAT <sup>®</sup> Injector Part Number	CAT <sup>®</sup> Reman Injector Part Number	Engine	Holes
CN900A	0°	140°		174-7526 174-7527 232-1175	20R-0758	651E 657E	6 x 0,255
CN900H	0°	132°		232-1170			6 x 0,260



FIRAD code	Engine Angle	Spray Angle	OEM Part Number	CAT <sup>®</sup> Injector Part Number	CAT <sup>®</sup> Reman Injector Part Number	Engine	Holes
CN900D	0°	130°		198-6877 204-2467	20R-4147	3412E	6 x 0,260
CN900G	0°	140°		174-7526 174-7527	20R-0758	651E 657E	6 x 0,250

## Navistar Nozzle kits

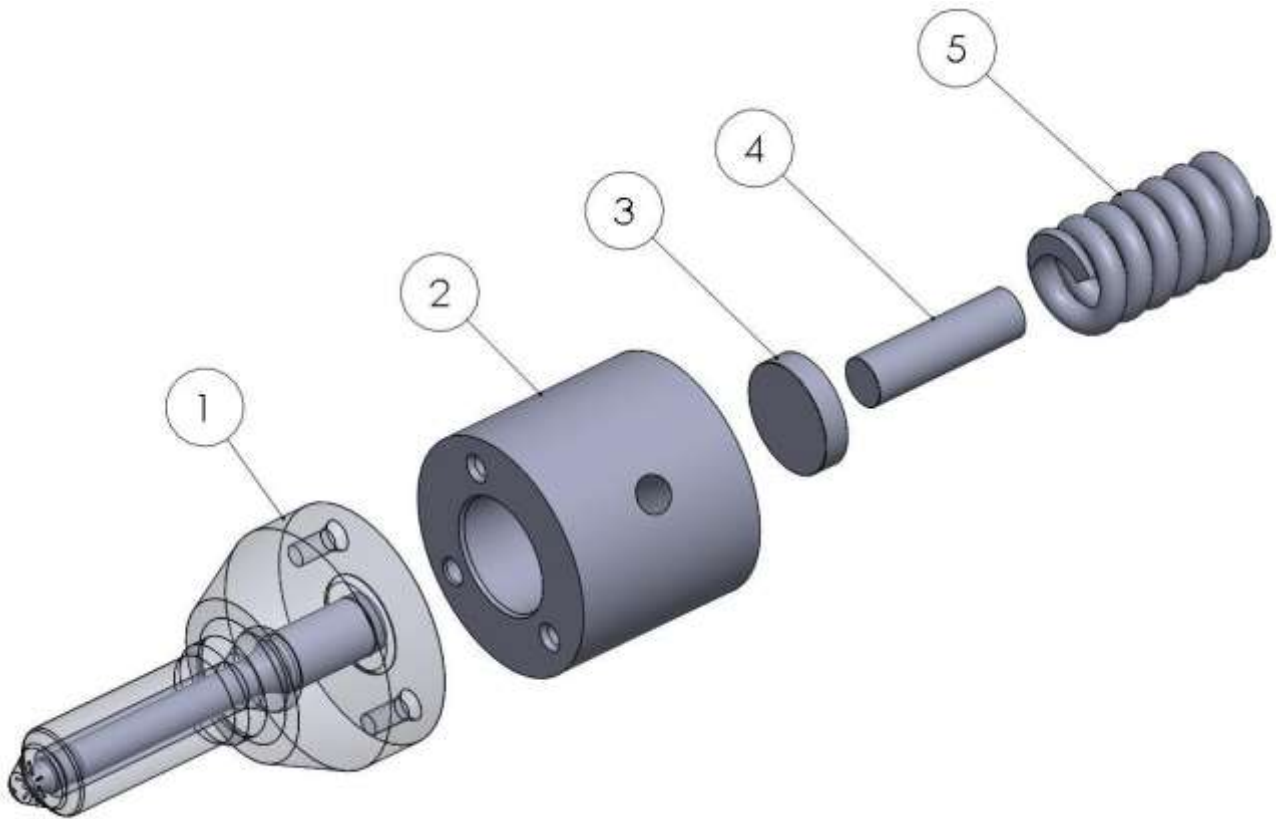


N. Part	Decription	FIRAD Code
1		FIRAD Nozzle
2	Bush	MCBU004
3	Shim	MCSH002-207
4	Pin	MCPN002-1385
5	Spring	MCSP002

FIRAD code	Firad Nozzle	OEM Part Number	Ford Injector	Navistar Injector
------------	--------------	-----------------	---------------	-------------------

<b>FD0000AA</b>	NS0AA F	AP63800AA	F81Z9E527DRM F4TZ9VE527AARM F7TZ9E527ARM	1822800C95 1816187C3 1822801C98 1822801C99 1821836C3
<b>FD0000BE</b>	NS9BE F	AP63809BE		1829838C94 1829926C2 1829839C93 1829839C94 1829837C2
<b>FD0000BI</b>	NS1BI F	AP63811BI		1830740C92 1830560C2 1830561C92 1830562C2 1830741C92 1830741C93
<b>FD0000BJ</b>	NS2BJ F	AP63812BJ		1830570C92 1830571C2 1830572C92 & 93 1830573C2
<b>FD000BK</b>	NS5BK F	DPE41026/31		
<b>FD0000BN</b>	NS6BN F	8991056		1830691C1 1830692C91 1830693C1 1830694C91 2593597C91
<b>FD0000BD</b>	NS7BD F	8991055		
<b>FD0000BC</b>	NS3BC F	8991035		

## Cat Navistar Nozzle kits



N. Part	Decription	FIRAD Code
1		FIRAD Nozzle
2	Bush	MCBU004
3	Shim	MCSH002-207
4	Pin	MCPN002-1385
5	Spring	MCSP002

<b>FIRAD code</b>	<b>Firad Nozzle</b>	<b>OEM Part Number</b>	<b>CAT® Injector Part Number</b>	<b>CAT® Reman Injector Part Number</b>	<b>Engine</b>
<b>FD00900B</b>	CN900B	DPE41026/32 (6-16)	141-7837 155-1819 169-7408 171-9704 171-9710 173-9272 173-9379 173-9380 188-1320 196-4229 222-5972	OR-9350 OR-9348	3126E 3126B 3126
<b>FD00900C</b>	CN900C	DPE41026/32 (6-17)	173-4059 173-4061 173-9267 173-9268 196-1401 222-5963 222-5967	OR-9349 10R-1262 10R-0782	3126 3126E 3126B
<b>FD00900E</b>	CN900E	(6-175)	222-5966	10R-0781	3126E 3126B
<b>FD00900A</b>	CN900A		174-7526 174-7527 232-1175	20R-0758	651E 657E
<b>FD00900H</b>	CN900H		232-1170		
<b>FD00900D</b>	CN900D		198-6877 204-2467	20R-4147	3412E
<b>FD00900G</b>	CN900G		174-7526 174-7527	20R-0758	651E 657E

Cummins<sup>®</sup> M11, N14, L10, QSK, ISC, ISL, QSL, QSC engines



## 3 Cummins Nozzles

Suitable for  
Scania XPI engine

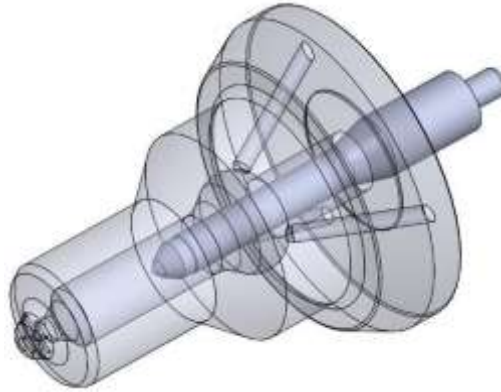
[40]

ARM DIESEL SOLUTION<sup>®</sup>

<https://armdieselsolutions.com/> – Phone: +1 647-901-5903



## Cummins Nozzles



FIRAD code	Engine Angle	Spray Angle	Stamping	Injector Part Number	Engine	Holes
<b>108/CFD</b>	0°	150°	26107	3070629 3070739 3071534 3073995 3081314 3081315 3081317 3652516 3652541 3652542	N14 L10	8 x 0,215
<b>109/CFD</b>	0°	148°	26108	3084589 3087557 3411752	M11	8 x 0,170
<b>110/CFD</b>	0°	153°	26109	3083846 3087733 3087560 3411759	N14	8 x 0,200
<b>111/CFD</b>	0°	153°	26113	3411755	M11	8 x 0,160

[41]

ARM DIESEL SOLUTION<sup>®</sup>

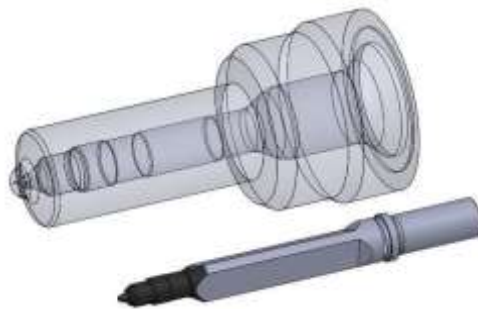
<https://armdieselsolutions.com/> – Phone: +1 647-901-5903

<b>112/CFD</b>	0°	153°	26114	3411758	M11	8 x 0,215
<b>113/CFD</b>	0°	149°	26115	3095086 3609796 3087788	N14	8 x 0,235

<b>FIRAD code</b>	<b>Engine Angle</b>	<b>Spray Angle</b>	<b>Stamping</b>	<b>Injector Part Number</b>	<b>Engine</b>	<b>Holes</b>
<b>114/CFD</b>	0°	146°	26116	3088178	N14	8 x 0,230
<b>115/CFD</b>	0°	150°	26117	3073996 3081318 3652540	L10	8 x 0,180
<b>116/CFD</b>	0°	159°	26122	3411753 3095040	M11	8 x 0,190
<b>117/CFD</b>	0°	153°	26126	3411385 3411767	N14	8 x 0,230
<b>128/CFD</b>	0°	152°	26127	3411381 3411691 3411765	N14	8 x 0,195
<b>129/CFD</b>	0°	154°	26135	3411761	N14	8 x 0,210
<b>130/CFD</b>	0°	142°	26137	3411766	N14	8 x 0,210
<b>131/CFD</b>	0°	140°	4061854 FSP	4061851	M11	8 x 0,205

<b>132/CFD</b>	0°	140°	4026225 FSP	4026222	M11	8 x 0,220
<b>133/CFD</b>	0°	130°	4903475	4903472	M11	6 x 0,215
<b>134/CFD</b>	0°	154°	3609855 FSP	3411760	N14	8 x 0,230
<b>135/CFD</b>	0°	131°	4903322 FSP	4903319	M11	6 x 0,220
<b>150/CFD</b>	0°	154°	M-3095729			8 x 0,215
<b>FIRAD code</b>	<b>Engine Angle</b>	<b>Spray Angle</b>	<b>Stamping</b>	<b>Injector Part Number</b>	<b>Engine</b>	<b>Holes</b>
<b>151/CFD</b>	0°	131°			N14	6 x 0,180

## Cummins QSK Nozzles



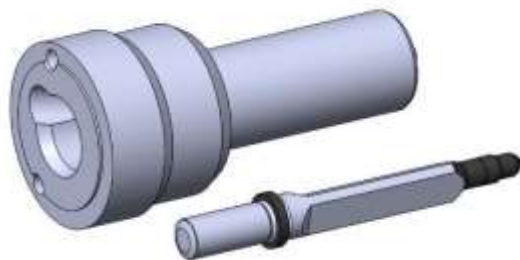
FIRAD code	Engine Angle	Spray Angle	Cummins® Part Number	Bosch® OEM Part Number	Stamping	Engines	Holes

[43]

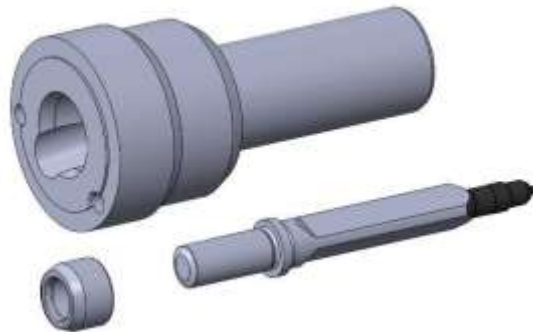
ARM DIESEL SOLUTION®

<https://armdieselsolutions.com/> – Phone: +1 647-901-5903

<b>QKFDA 00BD</b>	0°	148°	2867147	F00B J00 000 F00B J00 001 Y 431 K05 392	F00BD00000	QSK	6 x 0,265
<b>QKFDA 00BD3</b>	0°	139°	4964170	F00B L0J 019 F00B L0J 020 0 986 435 612 Y 431 K05 420	F00BD00003	QSK 19	6 x 0,270

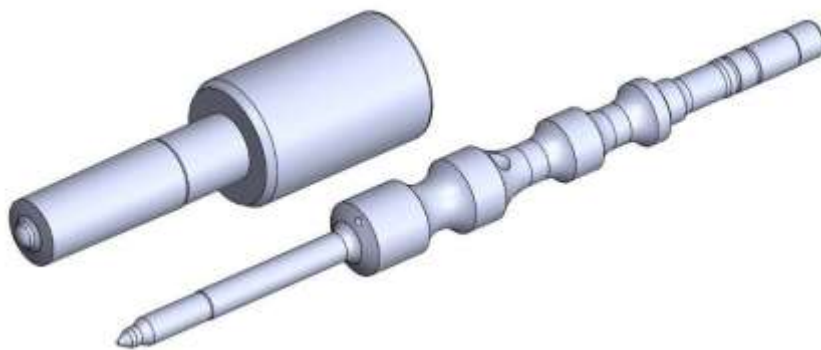


<b>FIRAD code</b>	<b>Engine Angle</b>	<b>Spray Angle</b>	<b>L'Orange® Part Number</b>	<b>Bosch® OEM Part Number</b>	<b>Stamping</b>	<b>Engines</b>	<b>Holes</b>
<b>QKFDA 00265671</b>	0°	149°			B 433265671	QSK	6 x 0,260
<b>QKFDA 00BD4</b>	0°	131°	X51107500005 X51107500011	F00B L0J 004 F00B L0J 005 F00B L0J 011 F00B L0J 012 Y 431 K05 350	F00BD00004	MTU	8 x 0,270
				Y 431 K05 351 Y 431 K05 210			



FIRAD code	Engine Angle	Spray Angle	Cummins <sup>®</sup> Part Number	Bosch <sup>®</sup> OEM Part Number	Stamping	Engines	Holes
<b>QKFDA 00265191</b>	0°	145°		Y 431 K05 194 Y 431 K05 298	B 433265191	Iveco Vector	8 x 0,245

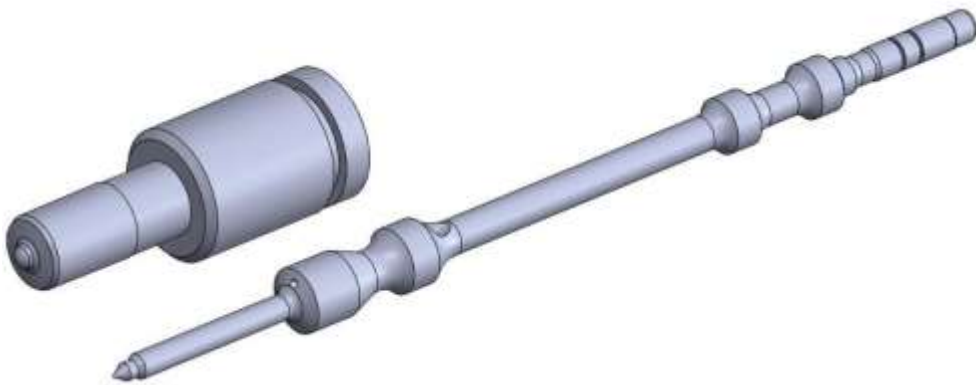
## Cummins ISC, ISL, QSL, QSC, ISX Nozzles



FIRAD code	Engine Angle	Spray Angle	Cummins <sup>®</sup> Part Number	Stamping	Engines	Holes
<b>145P4928562</b>	0°	145°	2872127 4954927	P4928562	ISC, ISL, QSL, QSC	7 x 0,180



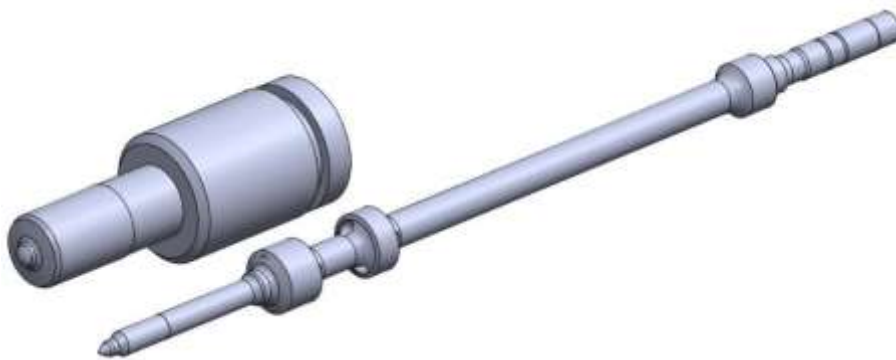
FIRAD code	Engine Angle	Spray Angle	Cummins <sup>®</sup> Part Number	Stamping	Engines	Holes
146P4307083	0°	146°		P4307083FSW	ISX	8 x 0,190
145P5461846	0°	145°		P5461846FSW	ISX	8 x 0,175



FIRAD code	Engine Angle	Spray Angle	Cummins <sup>®</sup> Inj. Number	Stamping	Engines	Holes
------------	--------------	-------------	----------------------------------	----------	---------	-------

<b>148P2872320</b>	0°	148°	2031835	P2872320	ISX	8 x 0,160
<b>148P4954707</b>	0°	148°	1881564	P4954707	ISX	8 x 0,160
<b>145P4984850</b>	0°	145°	2872405	P4984850	ISX	8 x 0,185

## Scania XPI Nozzles



<b>FIRAD code</b>	<b>Engine Angle</b>	<b>Spray Angle</b>	<b>Scania<sup>®</sup> Inj. Number</b>	<b>Stamping</b>	<b>Engines</b>	<b>Holes</b>
<b>146P2897551</b>	0°	146°	2086663 0984301	P2897551	XPI	9 x 0,185



[48]

ARM DIESEL SOLUTION®

<https://armdieselsolutions.com/> – Phone: +1 647-901-5903





## 4 Detroit diesel Nozzles

Suitable for

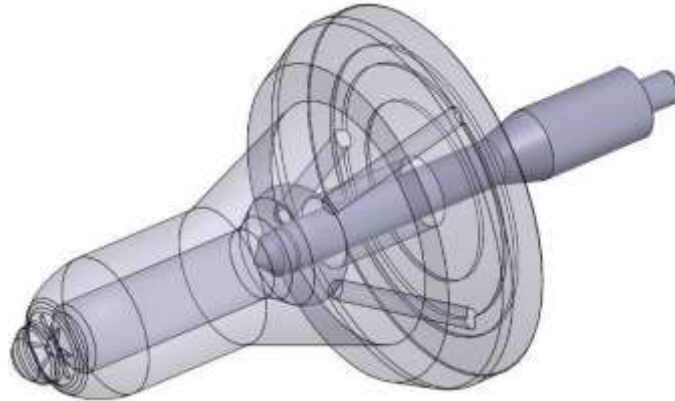
[49]

ARM DIESEL SOLUTION<sup>®</sup>

<https://armdieselsolutions.com/> – Phone: +1 647-901-5903

Detroit® Diesel 50/60 series

## Detroit Nozzles



FIRAD code	Engine Angle	Spray Angle	Stamping	Injector Part Number	Engine	Holes
<b>018DFD</b>	0°	154°	26211	5235915 5237466	1,27L	8 x 0,200
<b>019DFD</b>	0°	156°	26212	5235580 5236978	11,1L	8 x 0,170
<b>020DFD</b>	0°	157°	26213	5235600 5237320 5237650	11,1L 8,50L	9 x 0,200
<b>021DFD</b>	0°	159°	26214	5235935 5235605	11,1L 12,7L	9 x 0,165
<b>022DFD</b>	0°	161°	26215	5234870 5234940	11,1L 12,7L	9 x 0,200

[50]

ARM DIESEL SOLUTION®

<https://armdieselsolutions.com/> – Phone: +1 647-901-5903

<b>023DFD</b>	0°	159°	26216	5234795 5234945 5234970 5235695	12,7L 11,1L	9 x 0,210
<b>024DFD</b>	0°	159°	26217	5234785	12,7L	9 x 0,200
<b>025DFD</b>	0°	158°	26218	5234865	11,1L	9 x 0,200
<b>FIRAD code</b>	<b>Engine Angle</b>	<b>Spray Angle</b>	<b>Stamping</b>	<b>Injector Part Number</b>	<b>Engine</b>	<b>Holes</b>
<b>026DFD</b>	0°	153°	26219			9 x 0,215
<b>027DFD</b>	0°	154°	4991525	5235550 5236977 5235575	8,50L 11,1L	8 x 0,190
<b>028DFD</b>	0°	154°	752-B4-54	5236347 5236980 5237045		8 x 0,215



## 5 Perkins Nozzles

Suitable for

Caterpillar<sup>®</sup> C6.6

### Perkins Nozzles



FIRAD code	Engine Angle	Spray Angle	CAT <sup>®</sup> Injector Part Number	Perkins <sup>®</sup> Injector Part Number	Stamping	Engine	Holes

[52]

ARM DIESEL SOLUTION<sup>®</sup>

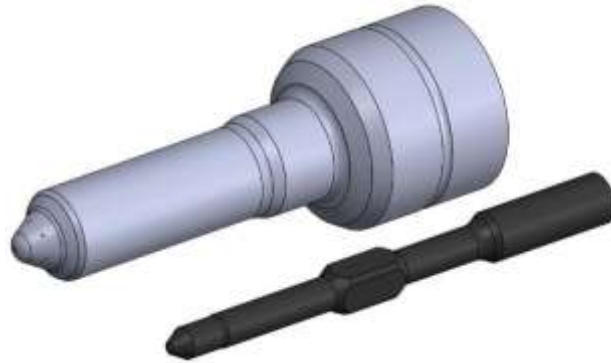
<https://armdieselsolutions.com/> – Phone: +1 647-901-5903

<b>C500F</b>	0°	126°		2645A745	050F379458	C6.6	6 x 0,135
<b>C500E</b>	0°	130°	10R-7671 320-0677 10R-7938 321-3600 10R-7672 320-0680 306-9380	2645A746 2645A747	248T359461	C6.6 C4.4 1104D-E44TA 1106D-E66TA	6 x 0,160
<b>C500H</b>	0°	130°		2645A751	270T799467 102F679467	C6.6	6 x 0,205
<b>C500L</b>	0°	130°	320-0690 10R-7673	2645A749	182E359464 294F389464	C6.6	6 x 0,185



<b>FIRAD code</b>	<b>Engine Angle</b>	<b>Spray Angle</b>	<b>CAT<sup>®</sup> Injector Part Number</b>	<b>Perkins<sup>®</sup> Injector Part Number</b>	<b>Stamping</b>	<b>Engine</b>	<b>Holes</b>
<b>C500B</b>	0°	135°	10R-7675 326-4700		239S379092	C6.6	6 x 0,155
<b>C500C</b>	0°	135°				C6.6	6 x 0,150

<b>C500M</b>	0°				211T359095	C6.6	6 x 0,165
--------------	----	--	--	--	------------	------	-----------



<b>FIRAD code</b>	<b>Engine Angle</b>	<b>Spray Angle</b>	<b>CAT<sup>®</sup> Injector Part Number</b>	<b>Perkins<sup>®</sup> Injector Part Number</b>	<b>Stamping</b>	<b>Engine</b>	<b>Holes</b>
<b>C500A</b>	0°	130°			206T380694		6 x 0,165
<b>C500D</b>	0°	130°30'					6 x 0,185



## 6 Siemens Nozzle

Suitable for

Ford<sup>®</sup> Powerstroke 6.0

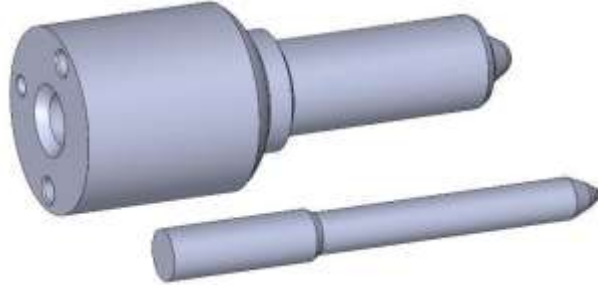
Deutz<sup>®</sup> G2.9

[55]

ARM DIESEL SOLUTION<sup>®</sup>

<https://armdieselsolutions.com/> – Phone: +1 647-901-5903

## Siemens Nozzles



FIRAD code	Engine Angle	Spray Angle	Stamping	Ford Injector	Navistar Injector	Holes
<b>FD2000</b>	0°	150°	V 0802 P 150	3C3Z-9E527-AE 3C3Z-9E527-ABRM	1843089C91 1845879C91 1843481C94 1843481C95	6 x 0,190
<b>FD3000</b>	0°	144°	V 0803 P 144			7 x 0,195
<b>FD3001</b>	0°	150°	V 0803 P 150			7 x 0,170
<b>FD3002</b>	0°	153°	V 805 P 153			8 x 0,160