



Piezoelectric Injector Catalogue

Update 06/2020

ARM DIESEL SOLUTIONS[®]

OEM CODES AND PARTS NUMBERS ARE GIVEN FOR REFERENCE PURPOSE ONLY

ABBREVIATIONS

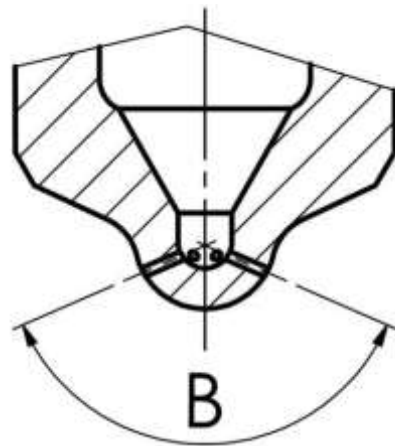
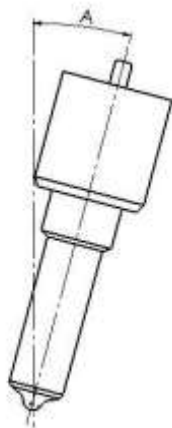
- Holes

In this section are reported the information about how many micro holes there are and their diameter, in this following way: <N.microholes> x <Diameter microholes>

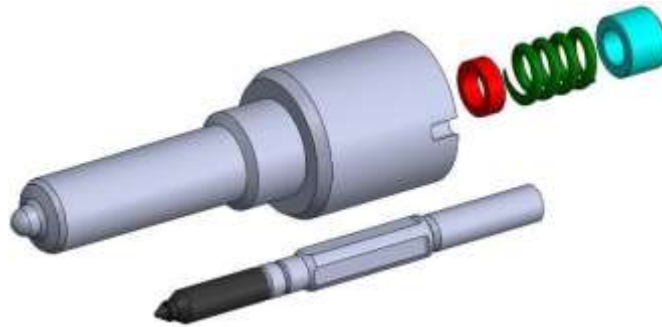
- Angles

In this section are reported the information related to nozzle and micro holes angular position

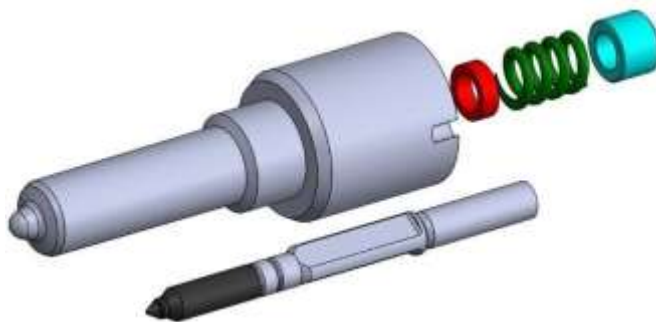
| Engine Angle | Spray Angle |
|--------------|-------------|
| A | B |



Bosch piezoelectric nozzle



| FIRAD code | BOSCH® Stamping | BOSCH® Injector Code | BOSCH® Inj. Remanufactured Code | OE code | Vehicle/ Engine |
|------------|-----------------|--------------------------------|---------------------------------|---------------------------|-----------------|
| PEF 05AW | F00VX30005 | 0 445 115 037 0 445 115 036 | | VOLKSWAGEN 059 130 277 AB | VW - Audi 3,0 |



| FIRAD code | BOSCH® Stamping | BOSCH® Injector Code | BOSCH® Inj. Remanufactured Code | OE code | Vehicle/ Engine |
|------------|-----------------|----------------------|---------------------------------|---|--|
| PEF 02R | F00VX30002 | 0 445 115 007 | 0 986 435 350 | OPEL 93161695 OPEL 4431258 RENAULT 82 00 505 056 RENAULT 82 00 804 536 RENAULT 16 60 034 29R RENAULT 77 01 476 567 RENAULT 77 01 477 158 RENAULT 82 00 409 398 RENAULT 82 00 340 068 VAUXHALL 93161695 | Renault (Espace-Laguna 2,0 DCi-Koleos) |
| PEF 07 | F00VX30007 | 0 445 115 048 | 0 986 435 354 | BMW 13 53 7 801 940 BMW 13 53 7 805 685 BMW 7 792 721 BMW 13 53 7 807 207 BMW 7 785 685 BMW 13 53 7 807 208 | BMW 2.0 |

| | | | | | |
|--|--|---------------|---------------|---|--|
| | | 0 445 115 070 | 0 986 435 354 | BMW 13 53 7 807 208 BMW 13 53 7 809 193 BMW 13 53 7 792 721 | |
|--|--|---------------|---------------|---|--|

| FIRAD code | BOSCH® Stamping | BOSCH® Injector Code | BOSCH® Inj. Remanufactured Code | OE code | Vehicle/ Engine |
|------------|-----------------|--------------------------------|---------------------------------|--|-----------------------|
| PEF 10 | F00VX20010 | 0 445 115 063 0 445 115 064 | 0 986 435 355 | JEEP 68028 405AA CHRYSLER 68028 405AA MERCEDES 642 070 13 87 MERCEDES A 642 070 05 87 MERCEDES 642 070 13 87 80 MERCEDES A 642 070 18 87 MERCEDES A 642 070 13 87 80 MERCEDES 642 070 18 87 MERCEDES 642 070 05 87 MERCEDES A 642 070 13 87 | Mercedes-Jeep-Crysler |
| PEF 14+ | F00VX40014+ | 0 445 115 028 0 445 115 029 | 0 986 435 352 | VOLKSWAGEN 076 130 277 | VW CRAFTER 2,5 TDI |

| | | | | | |
|--------|------------|--------------------------------|--------------------------------|--|--|
| PEF 17 | F00VX20017 | 0 445 115 068 0 445 115 069 | 0 986 435 356 | MERCEDES A 646 070 14 87 MERCEDES 646 070 14 87 | Mercedes - Vito - Sprinter |
| PEF 20 | F00VX30020 | 0 445 115 042 0 445 115 091 | 0 986 435 362 | CITROEN 96 592 291 LAND ROVER LR 001325 PEUGEOT 96 592 291 PEUGEOT PSA 96 592 29180 ROVER LR 0013 25 | Citroen Land Rover |
| PEF 26 | F00VX30026 | 0 445 116 001 | 0 986 435 363 | BMW 13 53 7 797 878 BMW 13 53 7 809 190 BMW 13 53 7 797 877 | BMW 120-320-520 X3 2,0d |
| PEF 29 | F00VX40029 | 0 445 116 034 0 445 116 035 | 0 445 116 029 0 986 435 369 | VOLKSWAGEN 03L 130 277 C | AUDI A3-A4 2.0 TDI / VW GOLF- PASSAT 2.TD1 |
| | | 0445116029 0445116030 | 0 986 435 360 | AUDI 03L 130 277 SEAT 03L 130 277 SKODA 03L 130 277 VOLKSWAGEN 03L 130 277 | |
| PEF 30 | F00VX40030 | 0 445 116 014 0 445 116 015 | 0 986 435 357 | AUDI 059 130 277 AR VOLKSWAGEN 059 130 277 AR | VW - Tuareg 3.0 / AUDI A4 - A6 2.7 -3.0 TDI |
| PEF 31 | F00VX40031 | 0 445 116 010 0 445 116 011 | 0 986 435 367 0 986 435 368 | AUDI 03L 130 277 A VOLKSWAGEN 03L 130 277 A | VW Jetta |

| | | | | | |
|-------------------|------------------------|--------------------------------|--|--|-------------------------------|
| PEF 38 | F00VX50038 | 0 445 120 104 0 445 120 207 | 0 986 435 539 0 986 435 540 | MERCEDES 472 070 00 87 MERCEDES 472 070 03 87 MERCEDES 472 070 05 87 MERCEDES 472 070 07 87 MERCEDES A 472 070 08 87 MERCEDES A 472 070 00 87 MERCEDES A 472 070 03 87 MERCEDES A 472 070 05 87 MERCEDES A 472 070 07 87 MERCEDES 472 070 08 87 | Mercedes |
| PEF 39 | F00VX40039 | 0 445 117 019 0 445 117 020 | 0 986 435 412 | AUDI 057 130 277 AM PORSCHE 958 110 128 30 VOLKSWAGEN 057 130 277 AM | VW- Audi (Q7 4,2 TDI) |
| PEF 41 | F00VX30041 | 0 445 116 024 | | | |
| PEF 42 | F00VX40042 (0) | 0 445 116 012 0 445 116 013 | 0 986 435 403 | CITROEN 1980 W5 FORD 9X2Q9 K546 DA JAGUAR 02C2C40577 JAGUAR C2C 40577 LAND ROVER LR 017923 PEUGEOT 1980 W5 ROVER LR017923 | |
| FIRAD code | BOSCH® Stamping | BOSCH® Injector Code | BOSCH® Inj. Remanufactured Code | OE code | Vehicle/ Engine |
| | | 0 445 116 064 | | CITROEN 1980 W5 FORD 9X2Q9 K546 DA FORD 9X2Q 9K546 DB FORD 9X2Q 9K546 DC JAGUAR 02C2C40577 JAGUAR C2C 40577 JAGUAR 02JDE37866 LAND ROVER LR095361 LAND ROVER LR 017923 PEUGEOT 1980 W5 ROVER LR01792 | |
| PEF 43 | F00VX40043 | 0 445 116 025 0 445 116 026 | 0 986 435 404 | MERCEDES A 642 070 11 87 MERCEDES 642 070 11 87 80 MERCEDES A 642 070 11 87 80 MERCEDES 642 070 11 87 | Mercedes E300 / CLS350 |
| PEF 45 | F00VX40045 | 0 445 117 008 | 0 986 435 409 | CHEVROLET 12 620 535 CHEVROLET 19 210 900 GMC 12620535 GMC 19210900 | Chevrolet/GMC |
| PEF 51 | F00VX40051 | 0 445 117 010 | 0 986 435 410 | CHEVROLET 19 256 590 CHEVROLET 12 620 534 GMC 12620534 GMC 19256590 OPEL 12620534 | Chevrolet/GMC Silverad/Sierra |
| PEF 60 | F00VX40060 | 0 445 117 016 | | FORD BC3Q 9K546 AD | Ford F250/350 |

| | | | | | |
|----------------|----------------|--------------------------------|---------------|---|---------------------------|
| | | 0 445 117 015 | 0 986 435 415 | FORD BC3Q 9K546 AB | |
| | | 0 445 117 023 0 445 117 024 | 0 986 435 415 | FORD BC3Q 9K546 AD FORD BC3Q 9K546 AB FORD BC3Z-9H529-B FORD BC3Z-9H529-A | |
| PEF 63 | F00VX30063 (0) | | | | |
| PEF 66 | F00VX40066 (0) | 0 445 117 021 0 445 117 022 | | | |
| PEF 68 | F00VX40068 | | | | |
| PEF 77 | F00VX50077 | 0 445 120 287 0 445 120 288 | | MERCEDES A 4710700587 | Mercedes ACTROS |
| PEF 80 | F00VX40080 | | | | |
| PEF 115 | F00VX40115 | 0 445 117 040 0 445 117 043 | 0 986 435 433 | FORD FC3Q 9K546 AA FORD FC3Z9H529B FORD FC3Z9H529A | Ford F250/350/550/650/750 |
| PEF 376 | B437176376 | 0 445 120 298 0 445 120 299 | 0 986 435 622 | MERCEDES 470 070 00 87 MERCEDES 470 070 00 87 0080 MERCEDES A 470 070 00 87 0080 MERCEDES A 470 070 00 87 | Actros Euro 6 |

Bosch piezoelectric nozzle geometric features

| FIRAD code | BOSCH® Stamping | BOSCH® Injector Code | Engine angle | Spray angle | Holes |
|-----------------|-----------------|--|--------------|-------------|-----------|
| PEF 02R | F00VX30002 | 0 445 115 007 | 0° | 150° | 6 x 0,140 |
| PEF 05AW | F00VX30005 | 0 445 115 037 | 0° | 158° | 7 x 0,145 |
| PEF 07 | F00VX30007 | 0 445 115 048 | 0° | 159°30' | 6 x 0,155 |
| PEF 10 | F00VX20010 | 0 445 115 063 | 0° | 157° | 8 x 0,130 |
| PEF 14+ | F00VX40014+ | 0 445 115 028 | 24° | 165° | 7 x 0,140 |
| PEF 17 | F00VX20017 | | 0° | 158° | 7 x 0,140 |
| PEF 20 | F00VX30020 | 0 445 115 069 0 445 115 042 0 445 115 091 0 445 116 001 | 0° | 157° | 7 x 0,120 |
| PEF 26 | F00VX30026 | | 0° | 159° | 7 x 0,140 |
| PEF 29 | F00VX40029 | 0 445 116 035 0 445 116 029 | 0° | 162° | 8 x 0,120 |
| PEF 30 | F00VX40030 | 0 445 116 015 | 0° | 158° | 8 x 0,125 |
| PEF 31 | F00VX40031 | 0 445 116 011 | 0° | 163° | 8 x 0,115 |

[6]

| | | | | | |
|----------------|-----------------------|---|-----------|-------------|------------------|
| PEF 38 | F00VX50038 | 0 445 120 104 0 445 120 207 | 0° | 141° | 6 x 0,195 |
| PEF 39 | F00VX40039 | 0 445 117 020 | 0° | 158° | 8 x 0,120 |
| PEF 41 | F00VX30041 | 0 445 116 024 | 0° | 160° | 7 x 0,140 |
| PEF 43 | F00VX40043 | 0 445 116 025 | 0° | 157° | 8 x 0,130 |
| PEF 45 | F00VX40045 | 0 445 117 008 | 0° | 158° | 7 x 0,100 |
| PEF 51 | F00VX40051 | 0 445 117 010 | 0° | 160° | 8 x 0,130 |
| PEF 60 | F00VX40060 | | 0° | 150° | 8 x 0,145 |
| PEF 63 | F00VX30063 (0) | | 0° | 155° | 8 x 0,115 |
| PEF 66 | F00VX40066 (0) | | 0° | 158° | 8 x 0,105 |
| PEF 68 | F00VX40068 | 0 445 117 016 0 445 117 021 0 445 117 022 0 445 120 287 0 445 120 288 0 445 117 040 0 445 117 043 | 0° | 152° | 8 x 0,125 |
| PEF 77 | F00VX50077 | | 0° | 129° | 6 x 0,165 |
| PEF 80 | F00VX40080 | | 0° | 154° | 8 x 0,105 |
| PEF 115 | F00VX40115 | | 0° | 150° | 8 x 0,140 |
| PEF 376 | B437176376 | 0 445 120 298 0 445 120 299 | 0° | 146° | 7 x 0,195 |