

ROBIEL®

HIGH PRESSURE PUMPS *BOMBAS DE ALTA PRESIÓN*

Bosch CP1

Bosch CP1H

Bosch CP3 0 445 020 046

Bosch CP3 0 445 010 033

Bosch CP3 0 445 020 033

Bosch CP3 0 445 020 129

Bosch CP3 0 445 020 005

Bosch CP4

Caterpillar C7 | C9

Caterpillar C4 | C6

Cummins CP2

Delphi - HR | Sprinter

Denso HP3

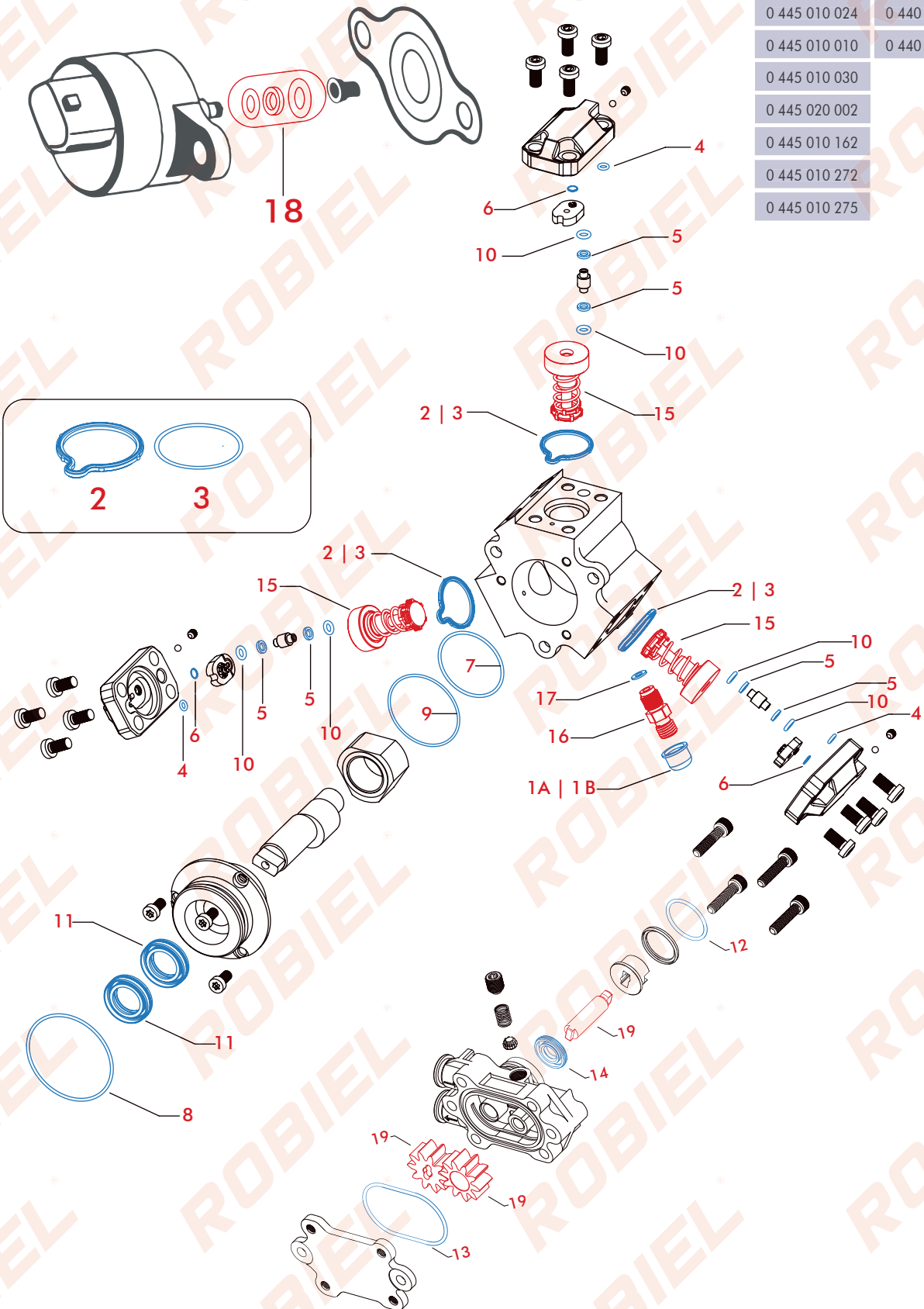
Denso HP4

Siemens

Stanadyne

CP1 HIGH PRESSURE PUMP
 BOMBA DE ALTA PRESIÓN CPI

PUMP CODE	GEAR PUMP
0 445 010 024	0 440 020 027
0 445 010 010	0 440 020 088
0 445 010 030	
0 445 020 002	
0 445 010 162	
0 445 010 272	
0 445 010 275	



410.02.75

REPAIR PARTS - CP1 SPRIN HIGH PRESSURE PUMP W/ RETAINER

REPARACION BBA ALTA PRESION CP1 SPRINTER C/ RETENES

REFERENCE		F 01M 100 275 F 00R 0P1 735 F 01M 101 454 - N° BBA 0 445 010 010 282					
N°	ROBIEL CODE	REFERENCE	PACK	N°	ROBIEL CODE	REFERENCE	PACK
1A	220.03.01	1 410 508 011	03un.	8	420.04.630	F 00R 0P0 166	01un.
2	420.05.19	F 00R 0P0 085	03un.	9	420.04.815	F 00R 0P1 106	01un.
5	424.05.09	F 00R 0P0 044	06un.	10	421.00.520	F 00R 0P1 186	06un.
6	805.06.05	F 00R 0P0 743	03un.	11	430.02.031V	F 00R 0P0 253	02un.
7	420.04.418	F 00R 0P1 255	01un.				

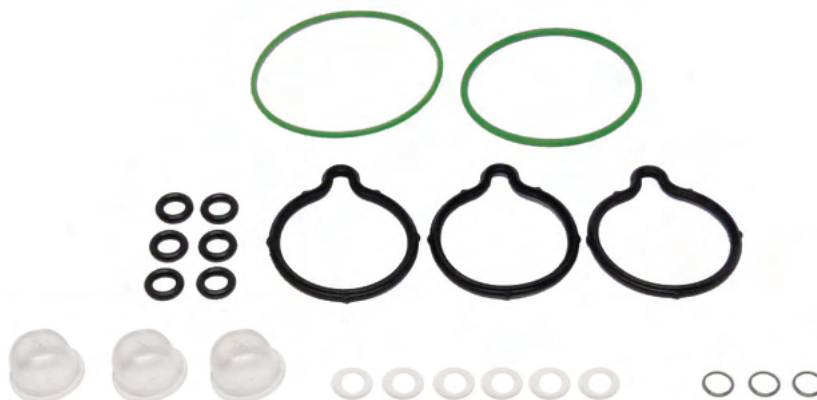


410.02.751

REPAIR PARTS - CP1 SPRIN HIGH PRESSURE PUMP WITHOUT RETAINER

REPARACION BBA ALTA PRESION CP1 SPRINTER S/ RETENES

REFERENCE		F 01M 100 275 F 00R 0P1 735 F 01M 101 454 - N° BBA 0 445 010 010 282					
N°	ROBIEL CODE	REFERENCE	PACK	N°	ROBIEL CODE	REFERENCE	PACK
1A	220.03.01	1 410 508 011	03un.	7	420.04.418	F 00R 0P1 255	01un.
2	420.05.19	F 00R 0P0 085	03un.	9	420.04.815	F 00R 0P1 106	01un.
5	424.05.09	F 00R 0P0 044	06un.	10	421.00.520	F 00R 0P1 186	06un.
6	805.06.05	F 00R 0P0 743	03un.				



410.02.76

REPAIR PARTS - CP1 IVECO/DUCATO HIGH PRESSURE PUMP

REPARACION BBA ALTA PRESION CP1 IVECO/DUCATO

REFERENCE

F 01M 100 276 | F 01M 101 455 - N° BBA 0 445 020 002

Thread
10.00mm

Thread
14.00mm

Nº	ROBIEL CODE	REFERENCE	PACK	Nº	ROBIEL CODE	REFERENCE	PACK
1A	220.03.01	1 410 508 011	03un.	5B	424.05.09	F 00R 0P0 044	06un.
1B	220.03.02	1 900 508 011	04un.	6	805.06.05	F 00R 0P0 743	03un.
3	420.05.22	F 00R 0P0 480	03un.	7	420.04.418	F 00R 0P1 255	01un.
4	420.07.09	F 00R 0P0 577	03un.	9	420.04.815	F 00R 0P1 106	01un.
5A	424.05.09M	F 01M 100 643	06un.	10	421.00.520	F 00R 0P0 186	06un.



410.02.77

REPAIR PARTS - CP1 ACELLO HIGH PRESSURE PUMP

REPARACION BBA ALTA PRESION CP1 ACELLO

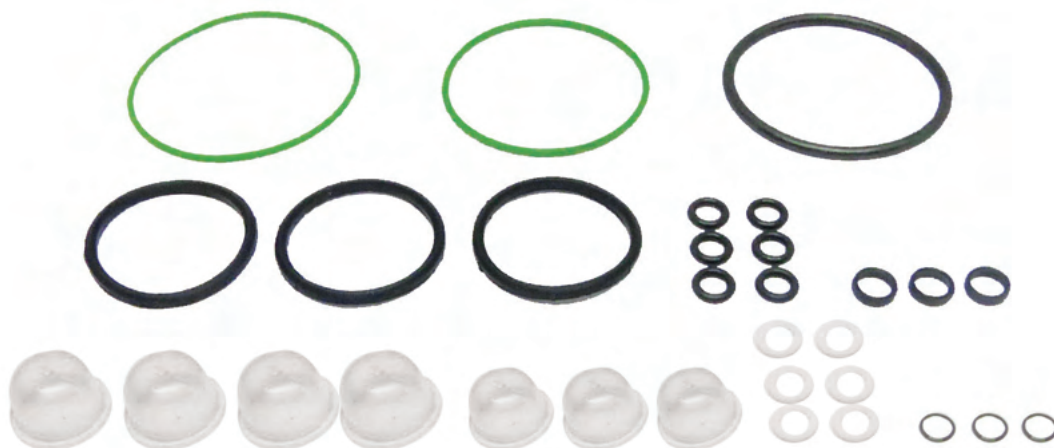
REFERENCE

F 01M 100 277 | F 01M 101 456

Thread
10.00mm

Thread
14.00mm

Nº	ROBIEL CODE	REFERENCE	PACK	Nº	ROBIEL CODE	REFERENCE	PACK
1A	220.03.01	1 410 508 011	03un.	6	805.06.05	F 00R 0P0 743	03un.
1B	220.03.02	1 900 508 011	04un.	7	420.04.418	F 00R 0P1 255	01un.
3	420.05.22	F 00R 0P0 480	03un.	8	420.04.630	F 00R 0P0 166	01un.
4	420.07.09	F 00R 0P0 577	03un.	9	420.04.815	F 00R 0P1 106	01un.
5	424.05.09	F 00R 0P0 044	06un.	10	421.00.520	F 00R 0P1 186	06un.



410.17.381 REPAIR PARTS - CP1 IVECO/DUCATO HIGH PRESSURE PUMP REPARACION BBA ALTA PRESION CP1 IVECO/DUCATO

GEAR PUMP CODE 0 440 020 027

Nº	ROBIEL CODE	REFERENCE	PACK
12	420.02.620	Ring 26.0x2.0mm	01un.
13	420.04.920	Ring 49.0x2.0mm	01un.
14	430.01.022	Retainer - Retén	01un.



SPARE PARTS Repuestos

Nº	ROBIEL CODE	REFERENCE	DESCRIPTION	PACK
11	430.02.031V	F 00R 0P0 253	Retainer - VE CP1 Pumps <i>Retén BBA VE CP1</i> ØInt: 20.00 x 31.00mm	01un.
15	E00.P1.747	F 00R 0P1 747 F 01M 101 349 F 01M 101 345 F 01M 101 457	Plunger - CP1 High Pressure Pump <i>ELEMENTO de la BBA de Alta Presion CP1</i>	01un.
16	165.03.05	F 00R 0P0 471	Connection - CP1 Common Rail <i>Conexion Del Common Rail CP1</i>	02un.
17	805.09.05	F 00V C17 003 F 00R 0P0 004	Shim - Scania Volvo MWM Nozzle - 0.60mm <i>Calzo de la Tobera Scania Volvo MWM - 0.60mm</i> ØInt: 5.20 x 9.50mm	12un.
18	410.17.382	F 01M 100 278	Repair Parts - DRV Valve CP1 Common Rail <i>Reparacion Valvula DRV Common Rail CP1</i>	01kit.
19	191.01.02	BBA Baixa 0 440 020 027	Gear Set - Sprinter Fuel Pump <i>Juego de Pinners de la BBA Alimentación Sprinter</i>	01kit.



323.01.3241

Rotating Vise W/ Indexer Pin
Morsa Giratoria con Pin Index



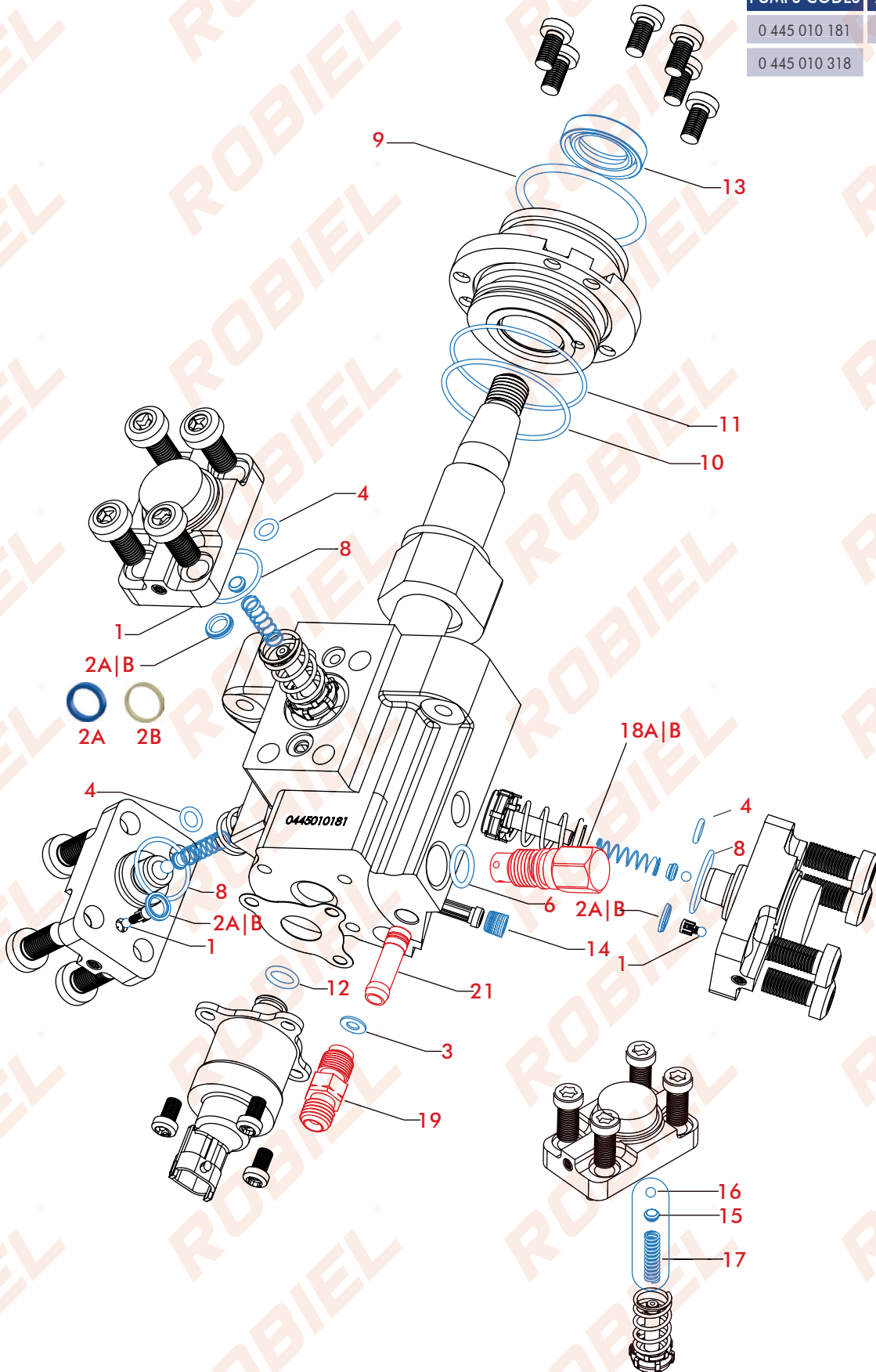
323.01.327

Holding Bracket
Soporte Sujecion Bomba
Ø Flange: 50.00mm | 70.00mm



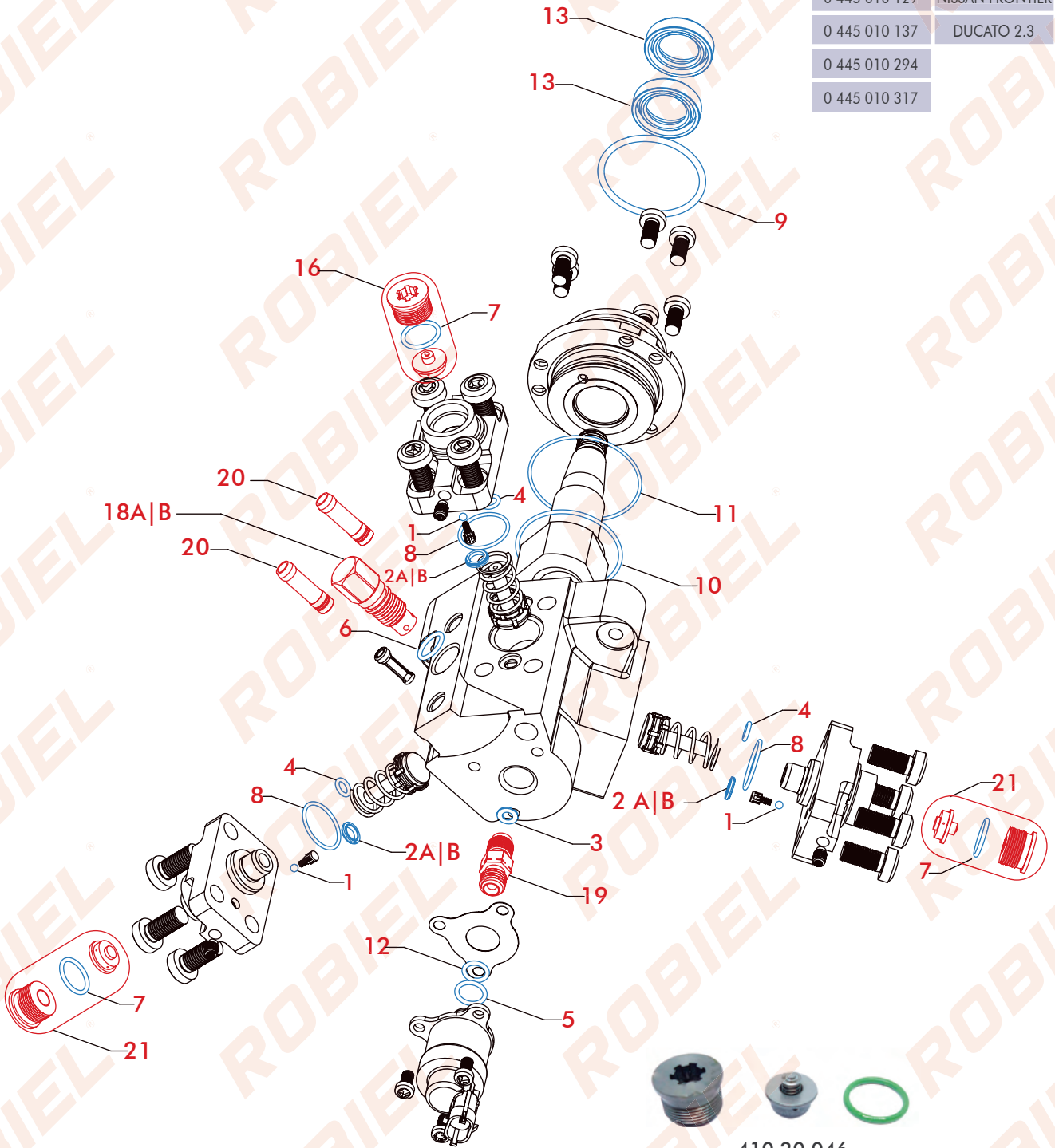
CP1H HIGH PRESSURE PUMP
 BOMBA DE ALTA PRESIÓN CP1H

PUMPS CODES	APPLICATION
0 445 010 181	BOXER 2.3
0 445 010 318	



CP1H HIGH PRESSURE PUMP
 BOMBA DE ALTA PRESIÓN CP1H

PUMPS CODES	APPLICATION
0 445 010 129	NISSAN FRONTIER
0 445 010 137	DUCATO 2.3
0 445 010 294	
0 445 010 317	



410.20.046
 Repair Parts - CP3 | CP1H Suction Valve
 Reparación Valvula Aspiración CP3 | CP1H



2A

2B

410.01.0129

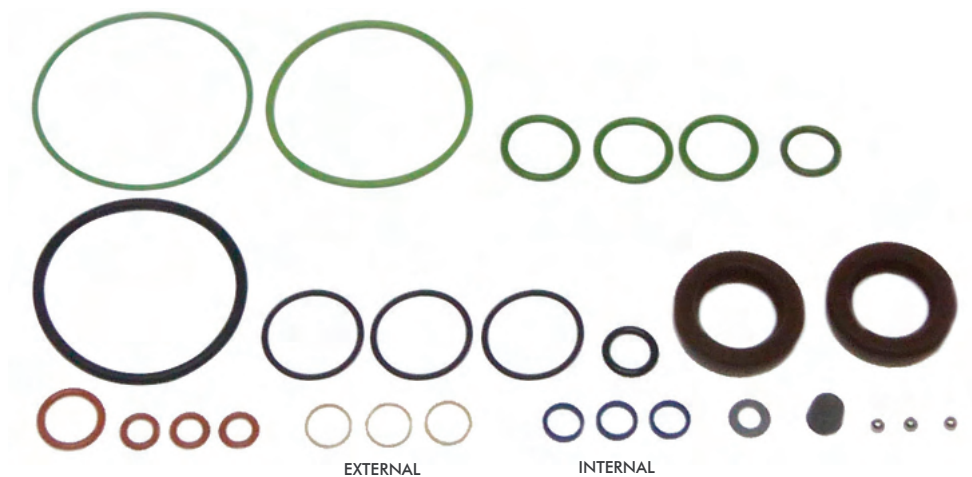
REPAIR PARTS - NISSAN FRONT HIGH PRESSURE PUMP

REPARACION BBA ALTA PRESION NISSAN/FRONT

REFERENCE

0 445 010 129 | 0 445 010 181

Nº	ROBIEL CODE	REFERENCE	PACK	Nº	ROBIEL CODE	REFERENCE	PACK
1	190.50.15	1 903 230 406	03un.	8	421.02.115	F 01M 100 050	03un.
2A	421.11.18D	F 01M 100 599	03un.	9	421.04.530	F 01M 100 114	01un.
2B	421.11.18.E	F 01M 100 599	03un.	10	421.04.719	F 01M 100 048	01un.
3	805.09.05	F 00V C17 003 F 00R OPO 004	01un.	11	421.05.115	F 01M 100 371	01un.
4	421.00.615	F 01M 100 049	03un.	12	421.09.020	1 928 300 718	01un.
5	421.01.142	1 928 300 719	01un.	13	430.02.031V	2 460 283 001	02un.
6	421.01.232	F 01M 100 065	01un.	14	155.06.08	F 01M 100 180	01un.
7	421.01.620	F 00R OPO 397	03un.				



410.00.927

REPAIR PARTS - CP1H PUMP CYLINDER COVER

REPARACION TAPA CILINDRO BBA CP1H

REFERENCE

Nº	ROBIEL CODE	REFERENCE	PACK
15	103.02.06	F 01M 101 530	03un.
16	190.50.18	F 01M 101 469	03un.
17	225.01.52	F 01M 100 651	03un.



SPARE PARTS Repuestos

Nº	ROBIEL CODE	REFERENCE	DESCRIPTION	PACK
01	190.50.15	1 903 230 406	Ball Diameter 3.50mm Bollita de Valvula Diametro 3.50mm	12un.
19	165.03.05	F 00R 0P0 471	Connection - CP1 Common Rail Conexion Del Common Rail CP1	02un.
20	165.03.07	F 01M 100 477	Connection - CP1H High Pressure Pump Input Conexion de entrada de la BBA de Alta Presion CP1H	01un.
21	410.20.046	F 00N 200 993 F 00N 200 997 F 00N 201 244	Repair Parts - CP3 CP1H Suction Valve Reparacion Valvula Aspiracion CP3 CP1H	01un.
18A	341.03.20	F 00N 200 320 F 01M 100 749 F 01M 101 223	Overflow Valve - 320 Valvula de Descarga - 320	01un.
18B	341.07.98	F 00N 200 798	Overflow Valve - 798 Valvula de Descarga - 798	01un.
R1	002.84.030	166.84EB30A	Pressure Tube - Pump To Rail Nissan Frontier Tubo Presion BBA Alta Presion Nissan Frontier	01un.

01



19



20



21



18A



18B



R1



323.50.35

TOOL SET - CP1H/CP1H3
BOSCH PUMP
JUEGO HERRAMIENTA BOMBA
BOSCH CP1H/CP1H3



323.50.05

Tool Set - CP1H Pump Filter
Juego Herramienta Filtro
BBA CP1H



323.02.06

Tighten / Loosen Tool - CP1H |
CP3 Pump Bolt
Herramienta Soltar/Apretar Tapon
de la BBA CP1H | CP3



323.02.13

Cutting Oil
Aceite Corte



323.02.14

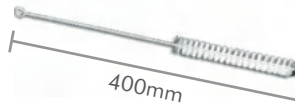
Impact Wrench
Llave de Impacto



250mm

323.02.12

Cleaning Brush
Cepillo de Limpieza
Ø 10.00mm



400mm

323.02.121

Cleaning Brush
Cepillo de Limpieza
Ø 12.00mm

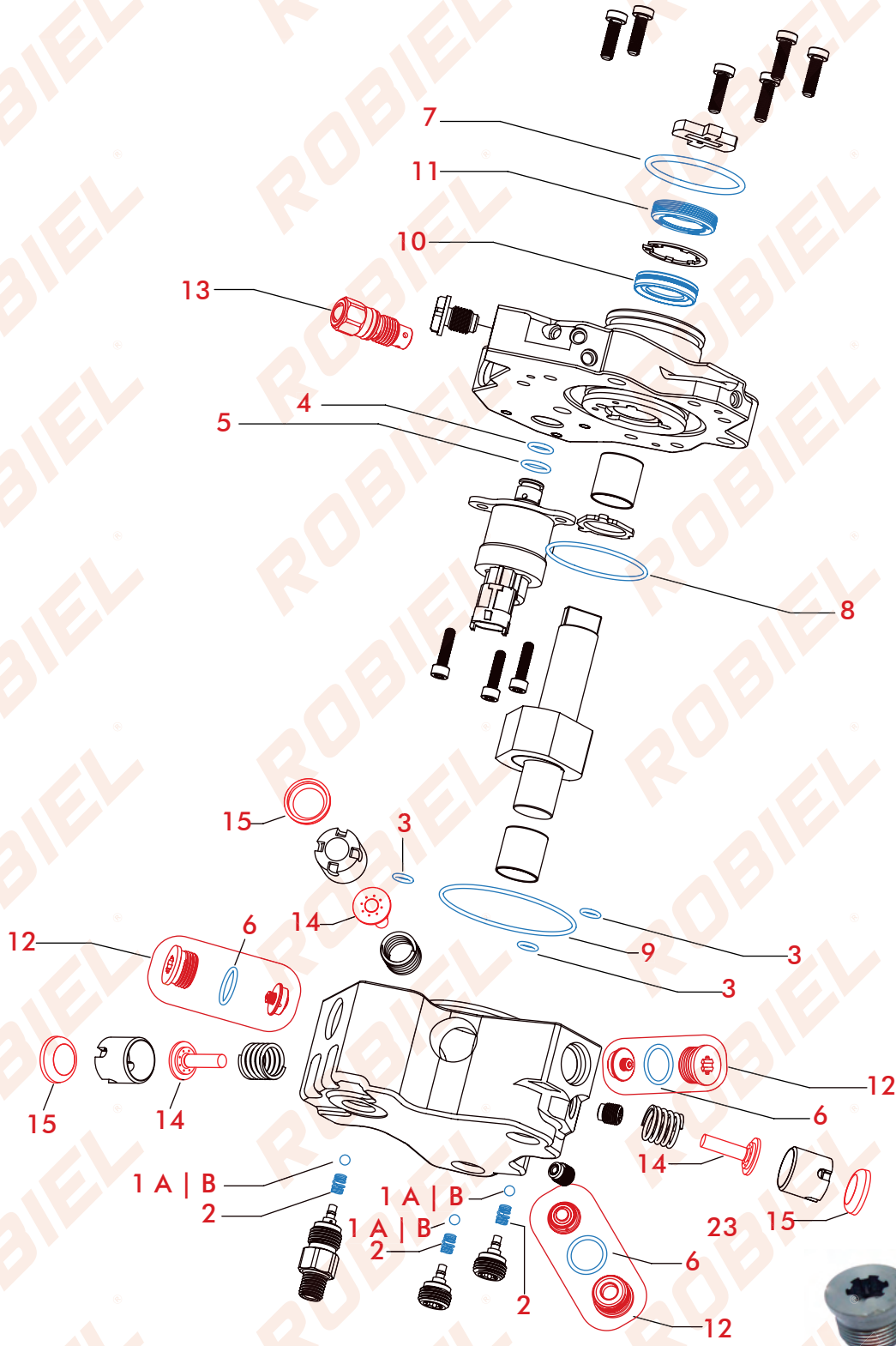


CP3 HIGH PRESSURE PUMP
 BOMBA DE ALTA PRESIÓN CP3

CR | CP3S3 | R75 | 20-8895

PUMP CODE

0 445 020 046



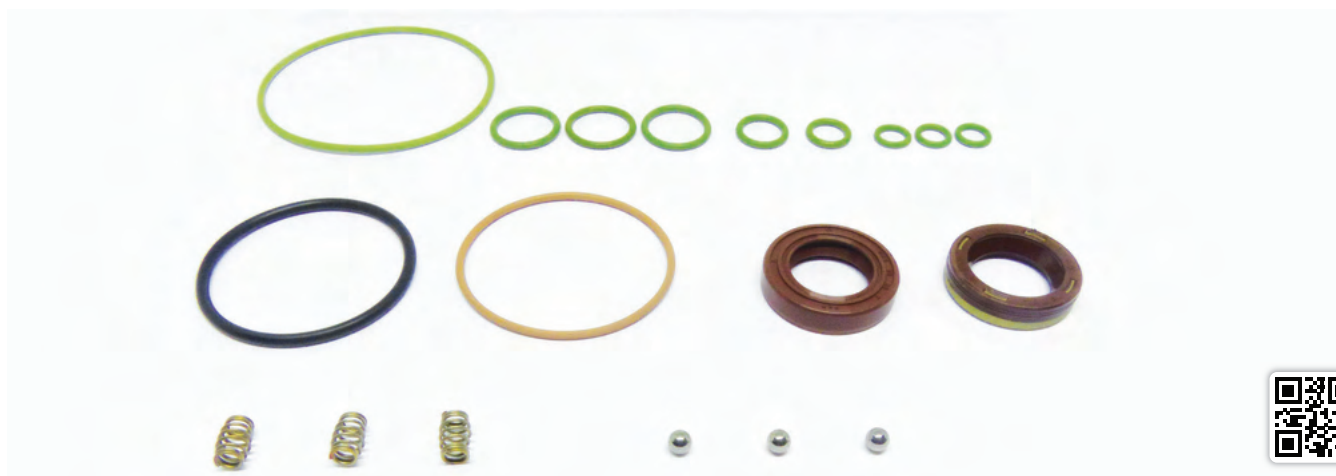
410.20.046

Repair Parts - CP3 | CP1H Suction Valve
 Reparacion Valvula Aspiracion CP3 | CP1H

410.10.034

REPAIR PARTS - CP3/IVECO DAILY HIGH PRESSURE PUMP
REPARACION BBA ALTA PRESION CP3 IVECO DAILY

REFERENCE							
Nº	ROBIEL CODE	REFERENCE	PACK	Nº	ROBIEL CODE	REFERENCE	PACK
1	190.50.13	1 903 230 009	03un.	7	421.04.530	F 01M 100 114	01un.
2	225.01.51	F 00N 200 700	03un.	8	421.04.820	F 00N 201 473	01un.
3	412.00.718	F 00R 0P0 340	03un.	9	421.06.620	F 00R 0P0 341	01un.
4	421.00.920	1 928 300 718	01un.	10	430.02.031V	F 00R 0P0 253	01un.
5	421.01.120	F 928 300 719	01un.	11	430.02.032	F 00N 202 338	01un.
6	421.01.620	F 00R 0P0 397	03un.				



SPARE PARTS Repuestos

Nº	ROBIEL CODE	REFERENCE	DESCRIPTION	PACK
1A	190.50.13	1 903 230 009	Ball Diameter 5.00mm Bolilla de Valvula Diametro 5.00mm	12un
1B	190.52.03	-	Ceramic Ball Diameter 5.00mm Bolilla Ceramica Diametro 5.00mm	12un
12	410.20.046	F 00N 200 993 F 00N 200 997 F 00N 201 244	Repair Parts - CP3 CP1H Suction Valve Reparacion Valvula Aspiracion CP3 CP1H	01kit
13	341.03.20	F 00N 201 320 F 01M 100 749 F 01M 101 223	Overflow Valve - 320 Valvula de Descarga - 320	01un
14	ECP24.6505	-	Plunger - CP3 Pump Ø6.505mm ELEMENTO de la BBA Ø6.505mm	01un
14	ECP24.6510	-	Plunger - CP3 Pump Ø6.510mm ELEMENTO de la BBA Ø6.510mm	01un
14	ECP24.6515	-	Plunger - CP3 Pump Ø6.515mm ELEMENTO de la BBA Ø6.515mm	01un
15	155.06.09	-	Capsule - CP3 High Pressure Pump - 22.00mm Capsula de la BBA de Alta presion CP3 - 22.00mm	03un



323.01.3241

Rotating Vise W/ Indexer Pin
Morsa Giratoria con Pin Index



323.01.327

Holding Bracket
Soporte Sujecion Bomba
Ø Flange: 50.00mm | 70.00mm



323.50.34

TOOL SET - CP3 BOSCH
PUMP
JUEGO HERRAMIENTA BOMBA
BOSCH CP3



324.06.50

Wrench for CP3 Outlet
Valve Ball
Llave p/ Tapon de la Bolilla
Valvula de Salida CP3



323.02.13

Cutting Oil
Aceite Corte



323.02.06

Tighten / Loosen Tool - CP1H |
CP3 Pump Bolt
Herramienta Soltar/Apertar Tapon
de la BBA CP1H | CP3





323.02.14

Impact Wrench
Llave de Impacto



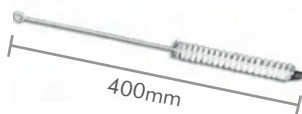
324.13.26

Tool to Apply the CP3 High Pressure Pump Capsule
Herramienta cap BBA Alta Presion CP3
Ø 22.00mm



323.02.12

Cleaning Brush
Cepillo de Limpieza
Ø 10.00mm



323.02.121

Cleaning Brush
Cepillo de Limpieza
Ø 12.00mm



324.21.065

Grinding Tool to CP3 Plunger Housing
Herramienta Rectificar Alojamento ELEMENTO BBA CP3
Ø 6.50mm



324.22.065

Polishing Tool to CP3 Pump Plunger Housing
Herramienta Acabamiento Alojamento ELEMENTO BBA CP3
Ø 6.50mm



323.01.57

Assembly/Disassembly Tool - CP3 Pump
Herramienta Desmontar/Montar BBA CP3



324.19.015

Grinding Tool to CP3 Pump Ball Seat
Herramienta Rectificar Asiento de Valvula BBA CP3
M16 x 1.5



324.20.015

Polishing Tool to CP3 Pump Ball Seat
Herramienta Acabamiento Asiento de Valvula BBA CP3
M16 x 1.5



324.17.130

Grinding Tool to CP3 Suction Valve Seat
Herramienta Rectificar Asiento Valvula Aspiracion BBA CP3
M18 x 1.5



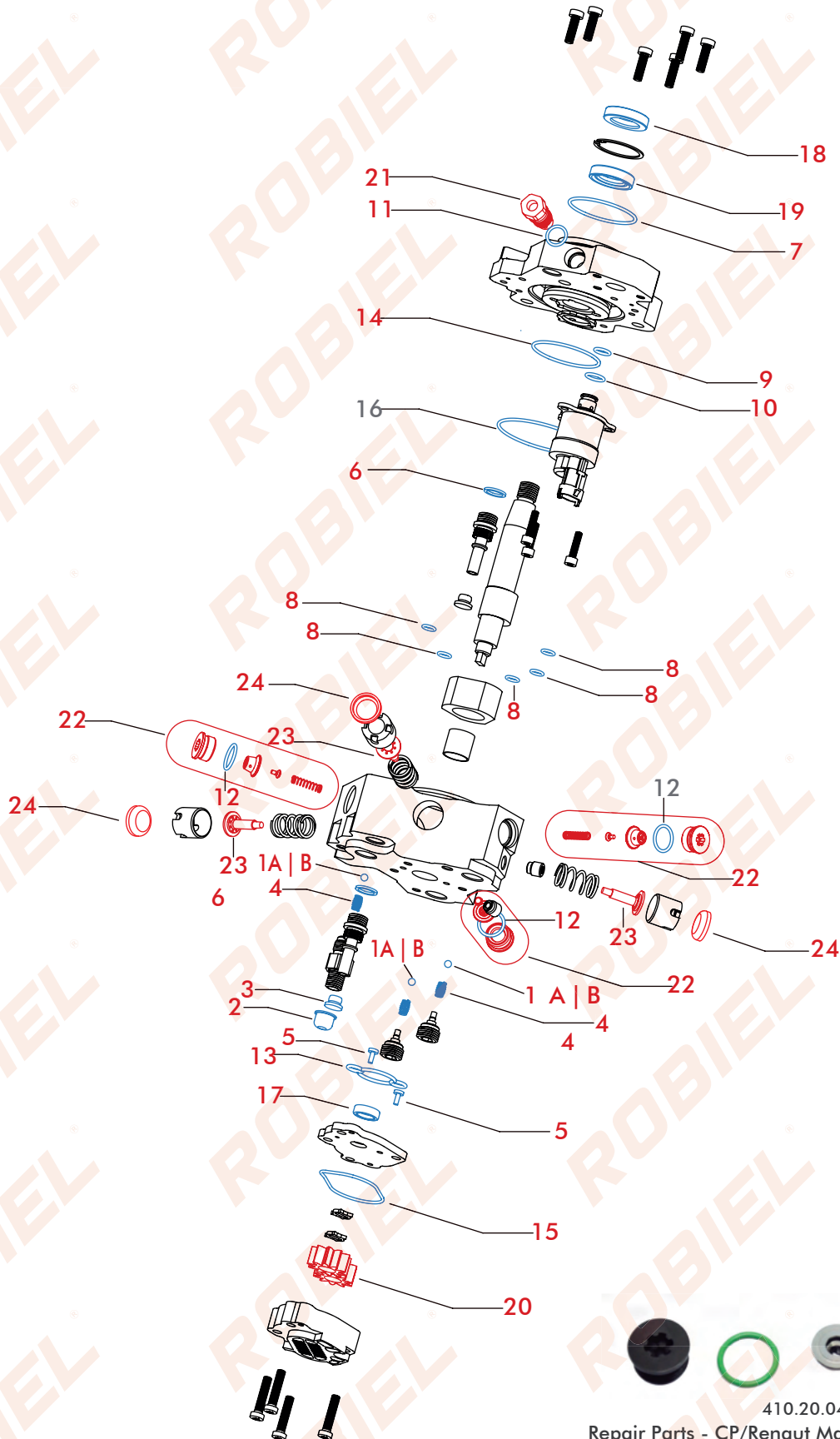
324.18.130

Polishing Tool to CP3 Suction Valve Seat
Herramienta Acabamiento Asiento Valvula Aspiracion BBA CP3
M18 x 1.5



CP3 HIGH PRESSURE PUMP
BOMBA DE ALTA PRESIÓN CP3

PUMPS CODES	TYPE
0 445 010 033	WITH GEAR PUMP
0 445 010 048	WITHOUT GEAR PUMP



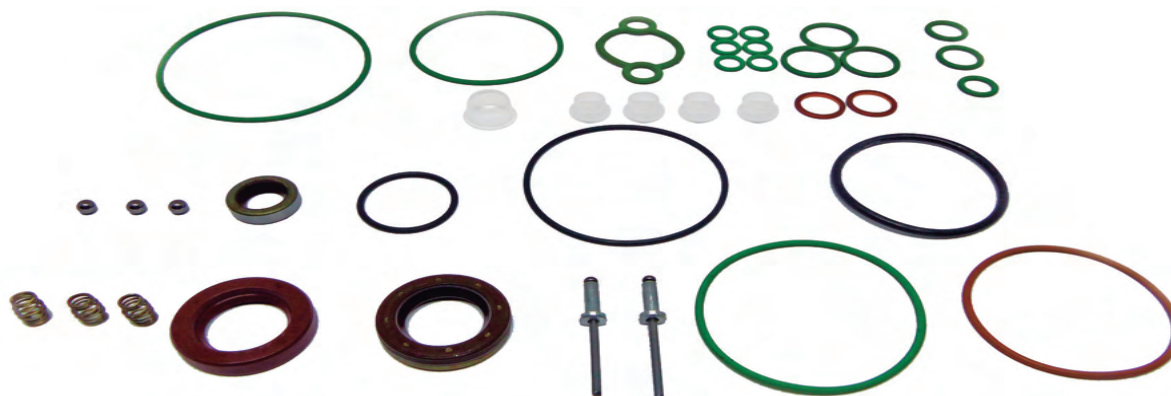
410.20.047
 Repair Parts - CP/Renaut Master Suction Valve
 Reparacion Valvula Aspiracion CP3/Renaut Master

410.10.033

REPAIR PARTS - CP3 RENAULT MASTER PUMP COMPLETE

REPARACION BBA CP3 RENAULT MASTER COMPLETA

REFERENCE				F 00N 201 973 974 975 976			
Nº	ROBIEL CODE	REFERENCE	PACK	Nº	ROBIEL CODE	REFERENCE	PACK
1	190.50.13	1 903 230 009	03un.	12	421.01.620	F 00R OP0 397	03un.
2	220.03.04	-	01un.	13	420.05.27	2 440 210 043	01un.
3	220.03.06	-	04un.	13	421.02.421	2 440 210 039	01un.
4	225.01.51	F 00N 200 700	03un.	14	421.04.719	F 00R OP0 819	01un.
5	321.01.01	-	02un.	14	421.04.820	F 00R OP1 324	01un.
6	612.16.15	2 916 710 607	02un.	14	421.05.320	F 00R OP0 352	01un.
7	420.04.630	F 00R OP0 166	01un.	15	421.05.520	2 440 210 028	01un.
8	412.00.718	F 00R OP0 340	06un.	16	421.06.620	F 00R OP0 341	01un.
9	421.00.920	1 928 300 718	01un.	17	430.01.119	2 440 281 012	01un.
10	421.01.120	1 928 300 719	01un.	18	430.02.032	F 00N 202 338	01un.
11	421.01.220	1 520 210 115	01un.	19	430.02.031V	F 00R OP0 253	01un.



410.01.973

REPAIR PARTS - CP3 RENAULT MASTER PUMP

REPARACION BBA CP3 RENAULT MASTER

REFERENCE				F 00N 201 973			
Nº	ROBIEL CODE	REFERENCE	PACK	Nº	ROBIEL CODE	REFERENCE	PACK
2	220.03.04	-	01un.	11	421.01.220	1 520 210 115	01un.
3	220.03.06	-	04un.	12	421.01.620	F 00R OP0 397	03un.
6	612.16.15	2 916 710 607	02un.	13	420.05.27	2 440 210 043	01un.
8	412.00.718	F 00R OP0 340	06un.	14	421.04.719	F 00R OP0 819	01un.
9	421.00.920	1 928 300 718	01un.	16	421.06.620	F 00R OP0 341	01un.
10	421.01.120	1 928 300 719	01un.				



SPARE PARTS Repuestos

Nº	ROBIEL CODE	REFERENCE	DESCRIPTION	PACK
1A	190.50.13	1 903 230 009	Ball Diameter 5.00mm <i>Bolilla de Valvula Diametro 5.00mm</i>	12un
1B	190.52.03	1 903 230 009	Ceramic Ball Diameter 5.00mm <i>Bolilla Ceramica Diametro 5.00mm</i>	12un
20	191.01.01	-	Gear Set - CP3 Gear Pump <i>Juego de Engrenaje BBA Alimentación CP3</i>	01kit
21	341.07.98	F 00N 200 798	Overflow Valve - 798 <i>Valvula de Descarga - 798</i>	01un
22	410.20.047	F 00N 200 992 - ANTIGO F 00N 201 451 524 - NOVO	Repair Parts - CP3 Suction Valve <i>Reparación Valvula Aspiración CP3</i>	01kit
23	ECP30.6505	-	Plunger - CP3 Pump Ø6.505mm <i>ELEMENTO de la BBA Ø6.505mm</i>	01un
23	ECP30.6510	-	Plunger - CP3 Pump Ø6.510mm <i>ELEMENTO de la BBA Ø6.510mm</i>	01un
23	ECP30.6515	-	Plunger - CP3 Pump Ø6.515mm <i>ELEMENTO de la BBA Ø6.515mm</i>	01un
24	155.06.09	-	Capsule - CP3 High Pressure Pump - 22.00mm <i>Capsula de la BBA de Alta presión CP3 - 22.00mm</i>	03un

1A



1B



20



21



12



23



24



323.01.3241

Rotating Vise W/ Indexer Pin
Morsa Giratoria con Pin Index



323.01.327

Holding Bracket
Soporte Sujeción Bomba
Ø Flange: 50.00mm | 70.00mm



323.50.34

TOOL SET - CP3 BOSCH
PUMP
*JUEGO HERRAMIENTA BOMBA
BOSCH CP3*



324.06.50

Wrench for CP3 Outlet
Valve Ball
*Llave p/ Tapon de la Bolilla
Valvula de Salida CP3*



323.02.13

Cutting Oil
Aceite Corte



323.02.06

Tighten / Loosen Tool - CP1H |
CP3 Pump Bolt
*Herramienta Soltar/Aperitar Tapon
de la BBA CP1H | CP3*





323.02.14

Impact Wrench
Llave de Impacto



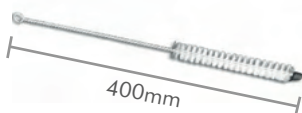
324.13.26

Tool to Apply the CP3 High Pressure Pump Capsule
Herramienta cap BBA Alta Presion CP3
Ø 22.00mm



323.02.12

Cleaning Brush
Cepillo de Limpieza
Ø 10.00mm



323.02.121

Cleaning Brush
Cepillo de Limpieza
Ø 12.00mm



324.21.065

Grinding Tool to CP3 Pump Plunger Housing
Herramienta Rectificar Alojamiento ELEMENTO BBA CP3
Ø 6.50mm



324.22.065

Polishing Tool to CP3 Pump Plunger Housing
Herramienta Acabamiento Alojamiento ELEMENTO BBA CP3
Ø 6.50mm



323.01.57

Assembly/Disassembly Tool - CP3 Pump
Herramienta Desmontar/Montar BBA CP3



324.19.015

Grinding Tool to CP3 Pump Ball Seat
Herramienta Rectificar Asiento Bolilla de Valvula BBA CP3
M16 x 1.5



324.20.015

Polishing Tool to CP3 Pump Ball Seat
Herramienta Acabamiento Asiento Bolilla de Valvula BBA CP3
M16 x 1.5



324.17.130

Grinding Tool to CP3 Suction Valve Seat
Herramienta Rectificar Asiento Valvula Aspiracion BBA CP3
M18 x 1.5



324.18.130

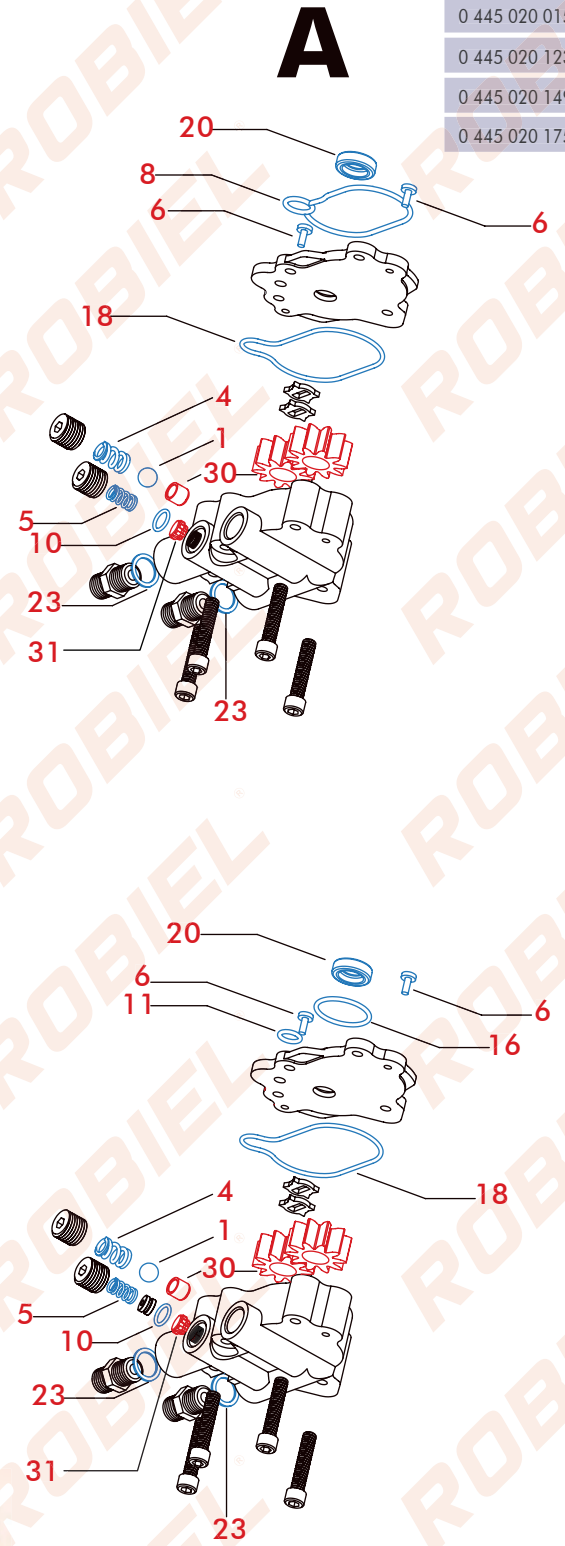
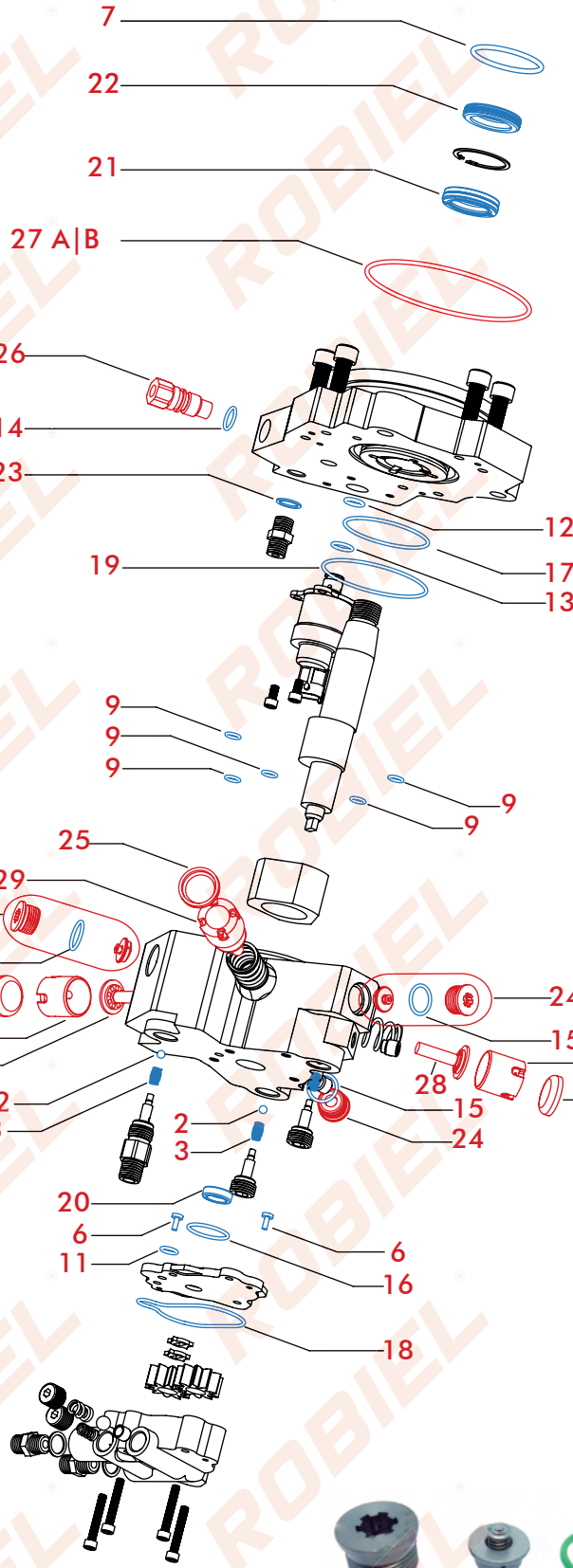
Polishing Tool to CP3 Suction Valve Seat
Herramienta Acabamiento Asiento Valvula Aspiracion BBA CP3
M18 x 1.5



CP3 HIGH PRESSURE PUMP
 BOMBA DE ALTA PRESIÓN CP3

PUMPS CODES

0 445 020 033
0 445 020 007
0 445 020 015
0 445 020 123
0 445 020 149
0 445 020 175



410.20.046

Repair Parts - CP3 | CP1H Suction Valve
 Reparación Valvula Aspiración CP3 | CP1H

410.20.0452

REPAIR PARTS - CP3 HIGH PRESSURE PUMP COMPLETE

REPARACION BOMBA DE ALTA PRESION CP3 COMPLETA

PUMP CODE

0 445 020 033 | 0 445 020 007 | 0 445 020 015 | 0 445 020 123 | 0 445 020 149

Nº	ROBIEL CODE	REFERENCE	PACK	Nº	ROBIEL CODE	REFERENCE	PACK
1	190.50.09	-	01un.	13	421.01.120	1 928 300 719	01un.
2	190.50.13	1 903 230 009	03un.	14	421.01.220	1 520 210 115	01un.
3	225.01.51	F 00N 200 700	03un.	15	421.01.620	F 00R 0P0 397	03un.
4	225.02.06	-	01un.	16	421.02.420	2 440 210 039	01un.
5	225.02.07	-	01un.	17	421.05.320	F 00R 0P0 352	01un.
6	321.01.01	-	02un.	18	421.05.520	2 440 210 028	01un.
7	420.04.630	F 00R 0P0 166	01un.	19	421.06.620	F 00R 0P0 341	01un.
8	420.05.29	2 440 210 054	01un.	20	430.01.119	2 440 281 012	01un.
9	421.00.718	F 00R 0P0 340	05un.	21	430.02.536	1 460 C85 001 F 00R 0P0 521	01pc.
10	421.00.815	-	01un.	22	430.02.537	F 00N 202 337 F 00R 0P0 669	01un.
11	421.00.820	2 440 210 037	02un.	23	612.16.15	-	04un.
12	421.00.920	1 928 300 718	01un.				



410.20.0441

REPAIR PARTS - CP3 HIGH PRESSURE PUMP

REPARACION BOMBA DE ALTA PRESION CP3

PUMP CODE

0 445 020 033 | 0 445 020 007 | 0 445 020 015 | 0 445 020 115 | 0 445 020 123 | 0 445 020 149

Nº	ROBIEL CODE	REFERENCE	PACK	Nº	ROBIEL CODE	REFERENCE	PACK
2	190.50.13	1 903 230 009	03un.	15	421.01.620	F 00R OPO 397	03un.
3	225.01.51	F 00N 200 700	03un.	16	421.02.420	2 440 210 039	01un.
7	420.04.630	F 00R OPO 166	01un.	17	421.05.320	F 00R OPO 352	01un.
9	421.00.718	F 00R OPO 340	05un.	18	421.05.320	F 00R OPO 352	01un.
11	421.00.820	2 440 210 037	02un.	19	420.05.29	2 440 210 054	01un.
12	421.00.920	1 928 300 718	01un.	21	430.02.536	1 460 C85 001 F 003 OPO 521	01un.
13	421.01.120	1 928 300 719	01un.	22	430.02.537	F 00N 202 337 F 00R OPO 669	01un.
14	421.01.220	1 520 210 115	01un.	23	612.16.15	-	04un.



410.20.0433

REPAIR PARTS - CP3 GEAR PUMP

REPARACION BBA ENGRANAJES CP3

PUMP CODE

0 440 020 096

Nº	ROBIEL CODE	REFERENCE	PACK	Nº	ROBIEL CODE	REFERENCE	PACK
1	190.50.09	-	01un.	11	421.00.820	2 440 210 037	02un.
4	225.02.06	-	01un.	16	421.02.420	2 440 210 039	01un.
5	225.02.07	-	01un.	18	421.05.520	2 440 210 028	01un.
6	321.01.01	-	02un.	20	430.01.119	2 440 281 012	01un.
8	420.05.29	2 440 210 054	01un.	23	612.16.15	-	02un.
10	421.00.815	-	01un.				



SPARE PARTS Repuestos

Nº	ROBIEL CODE	REFERENCE	DESCRIPTION	PACK
24	410.20.046	F 00N 200 993 F 00N 201 244 F 00N 200 997	Repair Parts - CP3 CP1H Suction Valve <i>Reparacion Valvula Aspiracion CP3 CP1H</i>	01kit
25	155.06.07	-	Capsule - CP3 High Pressure Pump - 26.00mm <i>Capsula de la BBA de Alta presion CP3 - 26.00mm</i>	03un
26A	341.07.98	F 00N 200 798	Overflow Valve - 798 <i>Valvula de Descarga - 798</i>	01un
26B	341.03.20	F 00N 201 320 F 01M 100 749 F 01M 101 223	Overflow Valve - 320 <i>Valvula de Descarga - 320</i>	01un
27A	421.07.325	4 891 300	O-Ring Cummins <i>Anillo Cummins</i>	01un
27B	420.10.030	2 410 210 014	O-Ring Cummins <i>Anillo Cummins</i>	05un
28	ECP28.7505	-	Plunger - CP3 High Pressure Pump Ø7.505mm <i>ELEMENTO de la BBA Alta Presion CP3 Ø7.505mm</i>	01un
28	ECP28.7510	-	Plunger - CP3 High Pressure Pump Ø7.510mm <i>ELEMENTO de la BBA Alta Presion CP3 Ø7.510mm</i>	01un
28	ECP28.7515	-	Plunger - CP3 High Pressure Pump Ø7.515mm <i>ELEMENTO de la BBA Alta Presion CP3 Ø7.515mm</i>	01un
28	ECP28.7520	-	Plunger - CP3 High Pressure Pump Ø7.520mm <i>ELEMENTO de la BBA Alta Presion CP3 Ø7.520mm</i>	01un
28	ECP28.7525	-	Plunger - CP3 High Pressure Pump Ø7.525mm <i>ELEMENTO de la BBA Alta Presion CP3 Ø7.525mm</i>	01un
28	ECP28.7530	-	Plunger - CP3 High Pressure Pump Ø7.530mm <i>ELEMENTO de la BBA Alta Presion CP3 Ø7.530mm</i>	01un
29	ECP30.00	F 00R 000 582	Plunger Piston - CP3 High Pressure Pump <i>Piston ELEMENTO BBA Alta Presion CP3</i>	01un
30	191.01.01	-	Gear Set - CP3 Gear Pump <i>Juego de Engrenaje BBA Alimentación CP3</i>	01kit
31	342.00.03	-	Return Valve - CP3 Low Pressure <i>Valvula de Retencion de la Bomba de Baja Presion CP3</i>	05un
R1	342.11.36	CUM4896329 VW2R002001136C	Valve - Return - Cummin Motor Block <i>Valvula Retorno Del Bloque Motor Cummins</i>	01un
R2	002.287.880	CUM3287880	Tube - Pressure - BBA/Rail Cummins Motor <i>Tube Presion BBA Al Rail Motor Cummins</i>	01un



Parts with this identification form part of the system but are not applied directly to the pump and, for this reason, are not shown on the drawing.



323.01.3241

Rotating Vise W/ Indexer Pin
Morsa Giratoria con Pin Index



323.01.322

Assembly/Disassembly Bracket
- BBA CP3
Soporte Montar/Desmontar
BBA CP3
Ø107.00mm



323.01.327

Holding Bracket
Soporte Sujecion Bomba
Ø Flange: 50.00mm | 70.00mm



323.50.34

TOOL SET - CP3 BOSCH
PUMP
JUEGO HERRAMIENTA BOMBA
BOSCH CP3



323.01.57

Assembly/Disassembly Tool -
CP3 Pump
Herramienta Desmontar/Montar
BBA CP3



323.02.23

Bushing Replacement Tool
CP3/Scania Gear Pump
Herramienta Substitución BBA
Alimentación CP3/Scania



324.06.50

Wrench for CP3 Outlet
Valve Ball
Llave p/ Tapon de la Bolilla
Valvula de Salida CP3



323.02.13

Cutting Oil
Aceite Corte



323.02.06

Tighten / Loosen Tool - CP1H |
CP3 Pump Bolt
Herramienta Soltar/Apertar Tapon
de la BBA CP1H | CP3





323.02.14

Impact Wrench
Llave de Impacto



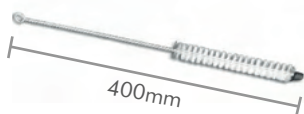
323.02.17

Tool to Apply the CP3 High Pressure Pump Capsule
Herramienta cap BBA Alta Presion CP3
Ø 26.00mm



323.02.12

Cleaning Brush
Cepillo de Limpieza
Ø 10.00mm



323.02.121

Cleaning Brush
Cepillo de Limpieza
Ø 12.00mm



323.02.25

Grinding Tool to CP3 Pump Plunger Housing
Herramienta Rectificar Alojamento ELEMENTO BBA CP3
Ø 7.50mm



323.02.26

Polishing Tool to CP3 Pump Plunger Housing
Herramienta Acabamiento Alojamento ELEMENTO BBA CP3
Ø 7.50mm



324.19.015

Grinding Tool to CP3 Pump Ball Seat
Herramienta Rectificar Asiento Bolilla de Valvula BBA CP3
M16 x 1.5



324.20.015

Polishing Tool to CP3 Pump Ball Seat
Herramienta Acabamiento Asiento Bolilla de Valvula BBA CP3
M16 x 1.5



324.17.130

Grinding Tool to CP3 Suction Valve Seat
Herramienta Rectificar Asiento Valvula Aspiracion BBA CP3
M18 x 1.5



324.18.130

Polishing Tool to CP3 Suction Valve Seat
Herramienta Acabamiento Asiento Valvula Aspiracion BBA CP3
M18 x 1.5



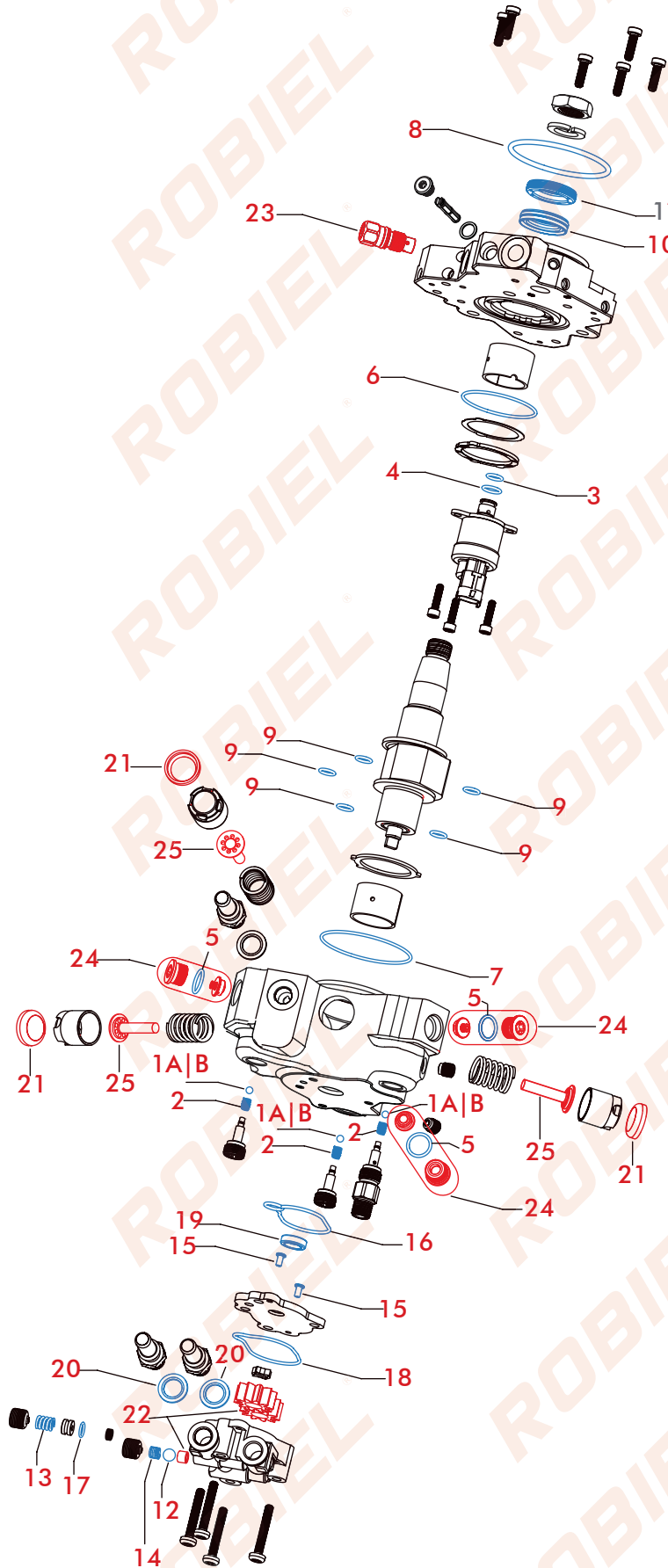
CP3 HIGH PRESSURE PUMP

BOMBA DE ALTA PRESIÓN CP3

CR|CP3HS3|L110|30-789S

PUMPS CODES

0 445 020 129
0 445 020 137
0 445 020 101
0 445 020 167
0 445 020 207
0 445 020 169



410.53.129

REPAIR PARTS - CP3 EURO 5 HIGH PRESSURE PUMP

REPARACION BBA ALTA PRESION CP3 EURO 5

REFERENCE							
Nº	ROBIEL CODE	REFERENCE	PACK	Nº	ROBIEL CODE	REFERENCE	PACK
1	190.50.13	1 903 230 009	03un.	7	421.06.620	F 00R 0P0 341	01un.
2	225.01.51	F 00N 200 700	03un.	8	421.07.335	F 00N 201 306	01un.
3	421.00.920	1 928 300 718	01un.	9	421.09.020	F 00N 201 745	05un.
4	421.01.120	1 928 300 719	01un.	10	430.02.536	F 00R 0P0 669 1 460 C85 001	01un.
5	421.01.520	-	03un.	11	430.02.537	F 00R 0P0 521 F 00N 202 3371	01un.
6	421.05.320	F 00R 0P0 352	01un.				



410.20.0433

REPAIR PARTS - CP3 GEAR PUMP

REPARACION BBA ENGRENAJES CP3

PUMP CODE		0 440 020 096					
Nº	ROBIEL CODE	REFERENCE	PACK	Nº	ROBIEL CODE	REFERENCE	PACK
12	190.50.09	-	01un.	16	421.00.820	2 440 210 037	02un.
13	225.02.06	-	01un.	17	421.00.815	-	01un.
14	225.02.07	-	01un.	18	421.05.520	2 440 210 028	01un.
15	321.01.01	-	02un.	19	430.01.119	2 440 281 012	01un.
16	420.05.29	2 440 210 054	01un.	20	612.16.15	-	02un.
16	421.02.420	2 440 210 039	01un.				



SPARE PARTS Repuestos

Nº	ROBIEL CODE	REFERENCE	DESCRIPTION	PACK
21	155.06.07	-	Capsule - CP3 High Pressure Pump - 26.00mm <i>Capsula de la BBA de Alta presión CP3 - 26.00mm</i>	03un
12	190.50.09	-	Ball Diameter 9.00mm <i>Bolilla de Valvula Diametro 9.00mm</i>	12un
1A	190.50.13	1 903 230 009	Ball Diameter 5.00mm <i>Bolilla de Valvula Diametro 5.00mm</i>	12un
1B	190.52.03	-	Ceramic Ball Diameter 5.00mm <i>Bolilla Ceramica Diametro 5.00mm</i>	12un
22	191.01.01	-	Gear Set - CP3 Gear Pump <i>Juego de Engranaje BBA Alimentación CP3</i>	01kit
23	341.04.50	F 00N 202 450	Overflow Valve - 450 <i>Valvula de Descarga - 450</i>	01un
24	410.20.049	F 00N 202 354	Repair Parts - CP3HS3 Suction Valve <i>Reparacion Valvula Aspiracion CP3HS3</i>	01kit
10	430.02.536	F 00R OPO 669 1 460 C85 001	Retainer - CP3/CP4 - Pajero <i>Retén - CP3/CP4 - Pajero</i>	01un
11	430.02.537	F 00R OPO 521 F 00N 202 337	Retainer - CP3 <i>Retén - CP3</i>	01un
25	ECP.34.7505	-	Plunger - CP3 High Pressure Pump Ø7.505mm <i>ELEMENTO de la BBA Alta Presion CP3 Ø7.505mm</i>	01un
25	ECP.34.7510	-	Plunger - CP3 High Pressure Pump Ø7.510mm <i>ELEMENTO de la BBA Alta Presion CP3 Ø7.510mm</i>	01un
25	ECP.34.7515	-	Plunger - CP3 High Pressure Pump Ø7.515mm <i>ELEMENTO de la BBA Alta Presion CP3 Ø7.515mm</i>	01un
25	ECP.34.7520	-	Plunger - CP3 High Pressure Pump Ø7.520mm <i>ELEMENTO de la BBA Alta Presion CP3 Ø7.520mm</i>	01un
25	ECP.34.7525	-	Plunger - CP3 High Pressure Pump Ø7.525mm <i>ELEMENTO de la BBA Alta Presion CP3 Ø7.525mm</i>	01un
25	ECP.34.7530	-	Plunger - CP3 High Pressure Pump Ø7.530mm <i>ELEMENTO de la BBA Alta Presion CP3 Ø7.530mm</i>	01un



323.01.3241

Rotating Vise W/ Indexer Pin
Morsa Giratoria con Pin Index



323.01.322

Assembly/Disassembly Bracket
- BBA CP3
*Soporte Montar/Desmontar
BBA CP3*
Ø107.00mm



323.01.327

Holding Bracket
Soporte Sujecion Bomba
Ø Flange: 50.00mm | 70.00mm



324.06.50

Wrench for CP3 Outlet
Valve Ball
*Llave p/ Tapon de la Bolilla
Valvula de Salida CP3*



323.02.13

Cutting Oil
Aceite Corte



323.02.06

Tighten / Loosen Tool - CP1H |
CP3 Pump Bolt
*Herramienta Soltar/Apertar Tapon
de la BBA CP1H | CP3*





323.01.571

Assembly/Disassembly Tool -
CP3 Pump - EURO 5
Herramienta Desmontar/Montar
BBA CP3 - EURO 5



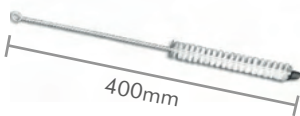
323.02.17

Tool to Apply the CP3 High
Pressure Pump Capsule
Herramienta cap BBA Alta
Pression CP3
Ø 26.00mm



323.02.12

Cleaning Brush
Cepillo de Limpieza
Ø 10.00mm



323.02.121

Cleaning Brush
Cepillo de Limpieza
Ø 12.00mm



323.02.25

Grinding Tool to CP3 Pump
Plunger Housing
Herramienta Rectificar Alojamiento
ELEMENTO BBA CP3
Ø 7.50mm



323.02.26

Polishing Tool to CP3 Pump
Plunger Housing
Herramienta Acabamiento
Alojamiento ELEMENTO BBA CP3
Ø 7.50mm



324.19.015

Grinding Tool to CP3
Pump Ball Seat
Herramienta Rectificar Asiento
Bolilla de Valvula BBA CP3
M16 x 1.5



324.20.015

Polishing Tool to CP3
Pump Ball Seat
Herramienta Acabamiento Asiento
Bolilla de Valvula BBA CP3
M16 x 1.5



323.02.23

Bushing Replacement Tool
CP3/Scania Gear Pump
Herramienta Substitución BBA
Alimentación CP3/Scania



323.50.34

TOOL SET - CP3 BOSCH
PUMP
JUEGO HERRAMIENTA BOMBA
BOSCH CP3



324.17.115

Grinding Tool to CP3
Suction Valve Seat
Herramienta Rectificar Asiento
Valvula Aspiracion BBA CP3
Rosca M16 x 1.0



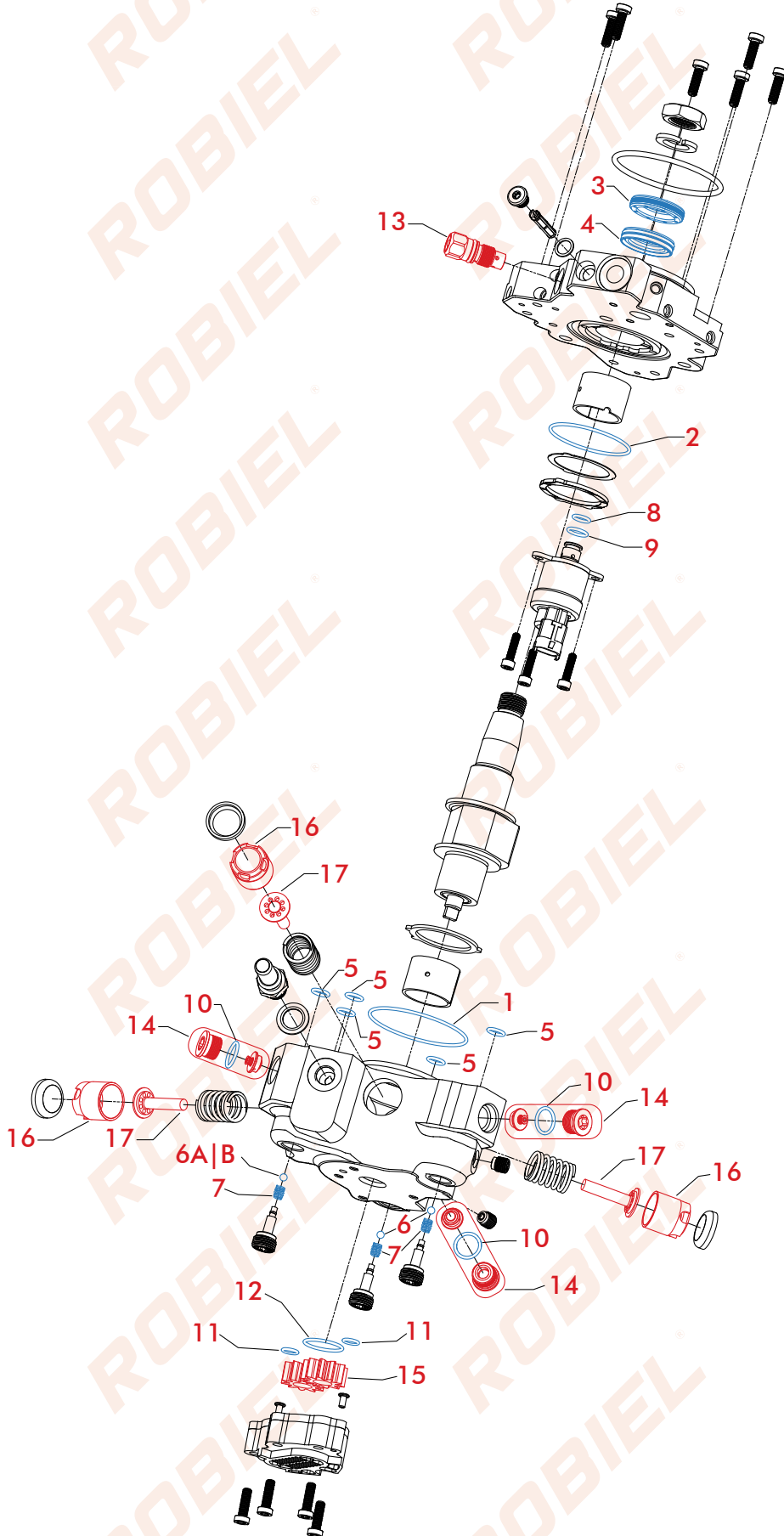
324.18.115

Polishing Tool to CP3
Suction Valve Seat
Herramienta Acabamiento Asiento
Valvula Aspiracion BBA CP3
Rosca M16 x 1.0



CP3 HIGH PRESSURE PUMP
BOMBA DE ALTA PRESIÓN CP3

PUMP CODE
0 445 020 005



410.20.005

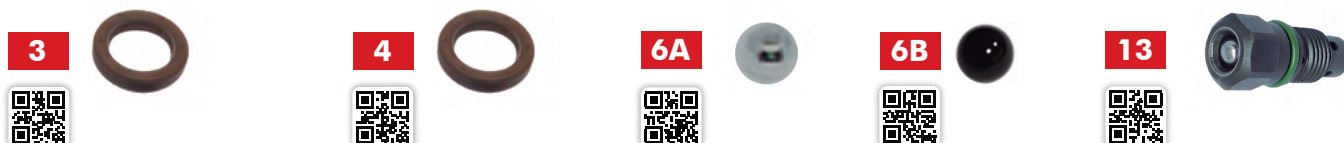
REPAIR PARTS - CP3S3 0 445 020 005 HIGH PRESSURE PUMP
 REPARACION BBA ALTA PRESION CP3S3 0 445 020 005

REFERENCE		0 445 020 005					
Nº	ROBIEL CODE	REFERENCE	PACK	Nº	ROBIEL CODE	REFERENCE	PACK
1	421.06.620	F 00R OP0 341	01un.	7	225.01.51	F 00N 200 700	03un.
2	421.05.320	F 00R OP0 352	01un.	8	421.00.920	1 928 300 718	01un.
3	430.02.537	F 00R OP0 669	01un.	9	421.01.120	1 928 300 719	01un.
4	430.02.536	F 00R OP0 521	01un.	10	421.01.520	1 410 210 014	03un.
5	421.00.718	F 00R OP0 340	05un.	11	421.00.820	2 440 210 037	02un.
6	190.50.13	1 903 230 009	03un.	12	421.02.420	2 440 210 039	01un.



SPARE PARTS Repuestos

Nº	ROBIEL CODE	REFERENCE	DESCRIPTION	PACK
3	430.02.537	F 00R 0P0 669	Retainer - CP3 Retén - CP3	01un
4	430.02.536	F 00R 0P0 521	Retainer - CP3 Retén - CP3	01un
6A	190.50.13	1 903 230 009	Ball Diameter 5.00mm Bolilla de Valvula Diametro 5.00mm	12un
6B	190.52.03	-	Ball Diameter 5.00mm Bolilla de Valvula Diametro 5.00mm	12un
13	341.07.98	F 00N 200 798	Overflow Valve - 798 Valvula de Descarga - 798	01un
14	410.20.046	F 00N 200 993 F 00N 201 244 F 00N 200 997	Repair Parts - CP3 CP1H Suction Valve Reparacion Valvula Aspiracion CP3 CP1H	01kit
15	191.01.01	-	Gear Set - CP3 Gear Pump Juego de Engrenaje BBA Alimentación CP3	01kit
16	ECP.30.00	F 00R 000 582	Plunger Piston - CP3 High Pressure Pump Piston ELEMENTO BBA Alta Presion CP3	01un
17	ECP.34.7505	-	Plunger - CP3 High Pressure Pump Ø7.505mm ELEMENTO de la BBA Alta Presion CP3 Ø7.505mm	01un
17	ECP.34.7510	-	Plunger - CP3 High Pressure Pump Ø7.510mm ELEMENTO de la BBA Alta Presion CP3 Ø7.510mm	01un
17	ECP.34.7515	-	Plunger - CP3 High Pressure Pump Ø7.515mm ELEMENTO de la BBA Alta Presion CP3 Ø7.515mm	01un
17	ECP.34.7520	-	Plunger - CP3 High Pressure Pump Ø7.520mm ELEMENTO de la BBA Alta Presion CP3 Ø7.520mm	01un
17	ECP.34.7525	-	Plunger - CP3 High Pressure Pump Ø7.525mm ELEMENTO de la BBA Alta Presion CP3 Ø7.525mm	01un
17	ECP.34.7530	-	Plunger - CP3 High Pressure Pump Ø7.530mm ELEMENTO de la BBA Alta Presion CP3 Ø7.530mm	01un



323.01.3241

Rotating Vise W/ Indexer Pin
Morsa Giratoria con Pin Index



323.50.34

TOOL SET - CP3 BOSCH
PUMP
JUEGO HERRAMIENTA BOMBA
BOSCH CP3



323.02.13

Cutting Oil
Aceite Corte



324.06.50

Wrench for CP3 Outlet
Valve Ball
Llave p/ Tapon de la Bolilla
Valvula de Salida CP3



323.02.06

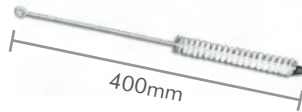
Tighten / Loosen Tool - CP1H |
CP3 Pump Bolt
Herramienta Soltar/Apertar Tapon
de la BBA CP1H | CP3





323.01.571

Assembly/Disassembly Tool -
CP3 Pump - EURO 5
Herramienta Desmontar/Montar
BBA CP3 - EURO 5



323.02.121

Cleaning Brush
Cepillo de Limpieza
Ø 12.00mm



323.02.12

Cleaning Brush
Cepillo de Limpieza
Ø 10.00mm



323.02.25

Grinding Tool to CP3 Pump
Plunger Housing
Herramienta Rectificar Alojamento
ELEMENTO BBA CP3
Ø 7.50mm



323.02.26

Polishing Tool to CP3 Pump
Plunger Housing
Herramienta Acabamiento
Alojamento ELEMENTO BBA CP3
Ø 7.50mm



324.19.015

Grinding Tool to CP3
Pump Ball Seat
Herramienta Rectificar Asiento
Bolilla de Valvula BBA CP3
M16 x 1.5



324.20.015

Polishing Tool to CP3
Pump Ball Seat
Herramienta Acabamiento Asiento
Bolilla de Valvula BBA CP3
M16 x 1.5



324.17.130

Grinding Tool to CP3
Suction Valve Seat
Herramienta Rectificar Asiento
Valvula Aspiracion BBA CP3
M18 x 1.5



324.18.130

Polishing Tool to CP3
Suction Valve Seat
Herramienta Acabamiento Asiento
Valvula Aspiracion BBA CP3
M18 x 1.5

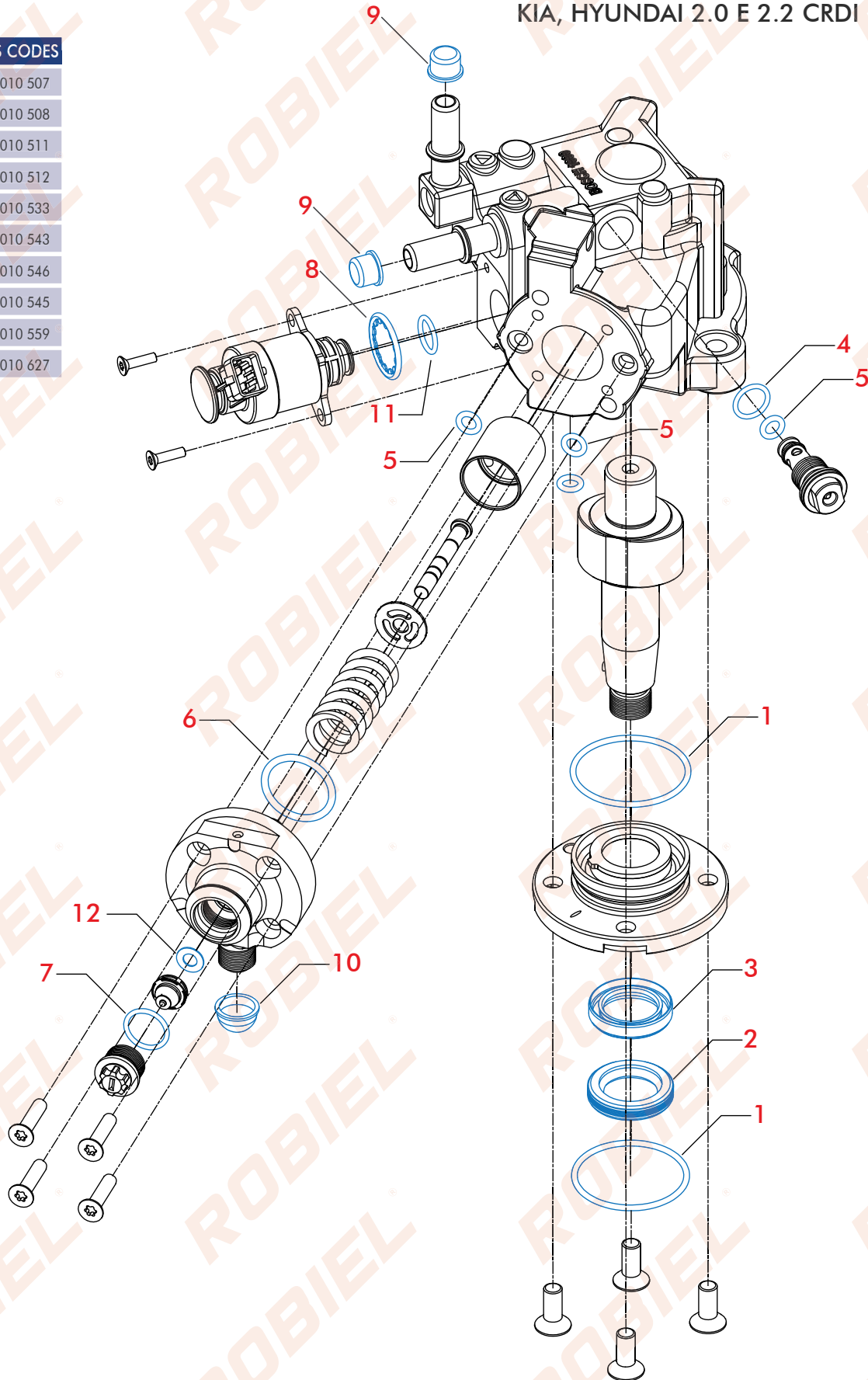


CP4 HIGH PRESSURE PUMP
 BOMBA DE ALTA PRESIÓN CP4

AMAROK 2.0 TDI 16 V
 KIA, HYUNDAI 2.0 E 2.2 CRDI - SANTA FÉ

PUMPS CODES

- 0 445 010 507
- 0 445 010 508
- 0 445 010 511
- 0 445 010 512
- 0 445 010 533
- 0 445 010 543
- 0 445 010 546
- 0 445 010 545
- 0 445 010 559
- 0 445 010 627



410.10.508

REPAIR PARTS - CP4 HIGH PRESSURE PUMP - AMAROK

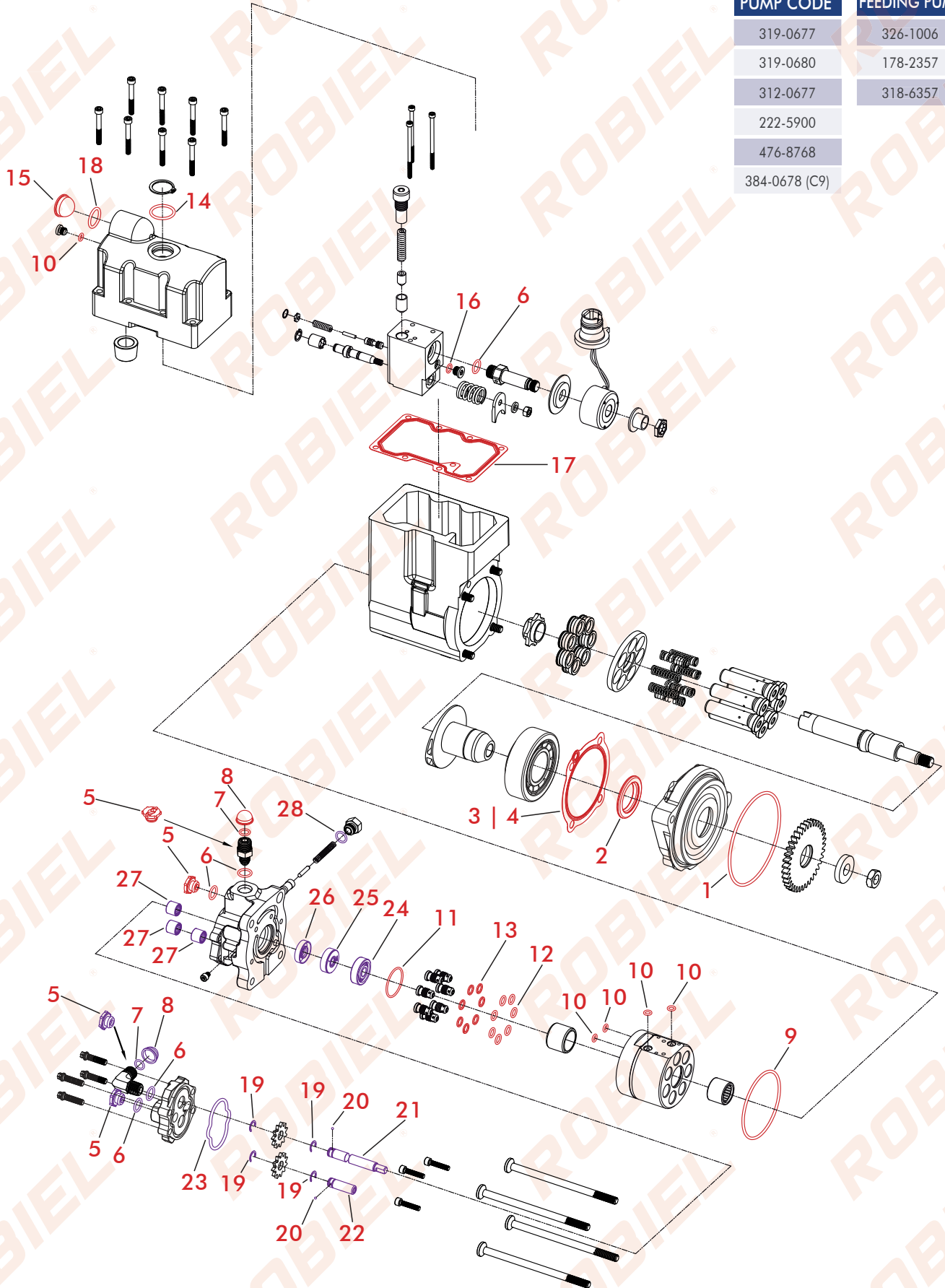
REPARACION BOMBA DE ALTA PRESION CP4 - AMAROK

REFERENCE				
Nº	ROBIEL CODE	REFERENCE	DESCRIPTION	PACK
1	421.04.624	023 997 65 48	O-ring - Anillo	02un
2	430.02.537	F 00R OP0 521	Retainer - Retén	01un
3	430.02.536	F 00R OP0 669	Retainer - Retén	01un
4	421.01.320	1 460 C15 003	O-ring - Anillo	01un
5	421.00.724	1 460 C15 001	O-ring - Anillo	04un
6	421.29.030	-	O-ring - Anillo	02un
7	421.01.620	F 00R OP0 397	O-ring - Anillo	02un
8	421.24.245	1 928 301 161	O-ring - Anillo	01un
9	220.03.01	1 410 508 011	Protective Cap - Tapa Protecciona 11.00x13.00mm	02un
10	220.03.03	-	Protective Cap - Tapa Protecciona 15.50x17.00mm	02un
11	421.01.220	1 928 300 717	O-ring - Anillo	01un
12	806.12.06	-	Shim - Calzo	02un



CATERPILLAR C7 | C9 HIGH PRESSURE PUMP
 BOMBA DE ALTA PRESIÓN CATERPILLAR C7 | C9

PUMP CODE	FEEDING PUMP
319-0677	326-1006
319-0680	178-2357
312-0677	318-6357
222-5900	
476-8768	
384-0678 (C9)	

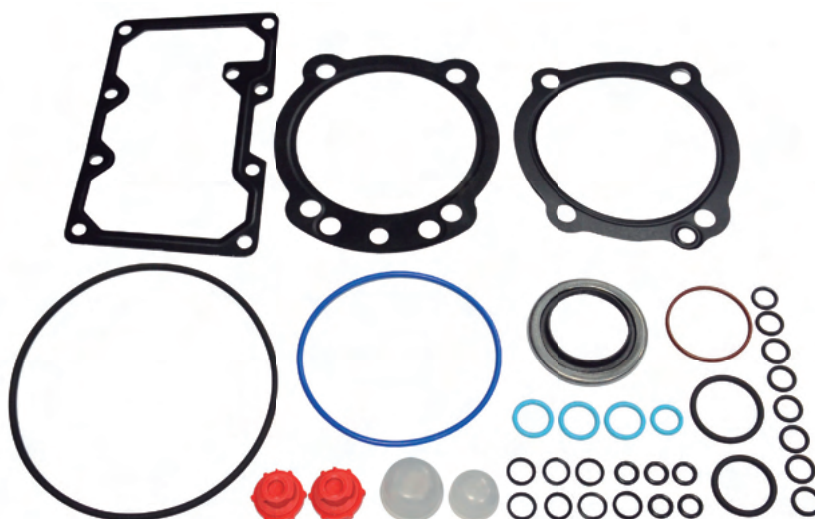


410.60.678

REPAIR KIT CATERPILLAR C7/C9 HIGH PRESSURE PUMP

KIT DE REPARACIÓN BOMBA DE ALTA PRESIÓN C7/C9

REFERENCE							
Nº	ROBIEL CODE	REFERENCE	PACK	Nº	ROBIEL CODE	REFERENCE	PACK
1	421.10.330	185-3141 227-5904	01un	10	421.06.180	239-2402	05un
2	430.35.49	163-7900	01un	11	421.03.218	179-8128 3070136	01un
3	450.06.09	-	01un	12	421.08.180	-	07un
4	450.06.10	-	01un	13	421.08.120	-	07un
5	220.02.06	-	02un	14	421.23.262	-	01un
6	421.12.20	-	03un	15	220.03.10	-	01un
7	421.09.180	-	01un	16	421.00.718	-	01un
8	220.03.03	-	01un	17	450.06.11	-	01un
9	421.75.262	-	01un	18	421.19.265	-	01un



410.60.357

CATERPILLAR C7/C9 FEEDING PUMP REPAIR KIT

KIT DE REPARACIÓN BOMBA DE BAJA PRESIÓN C7/C9

REFERENCE			
Nº	ROBIEL CODE	REFERENCE	PACK
5	220.02.06	-	02un
6	421.12.20	-	02un
7	421.09.180	-	01un
8	220.03.03	-	01un
19	115.02.10	-	04un
20	190.50.21	-	02un
21	191.01.05C	-	01un
22	191.01.05D	-	01un
23	421.05.026	-	01un
24	321.00.09	-	01un
25	430.10.27	03931063-315	01un
26	430.10.254	212-0316	01un
27	321.00.05	-	03un
28	421.01.118	-	01un



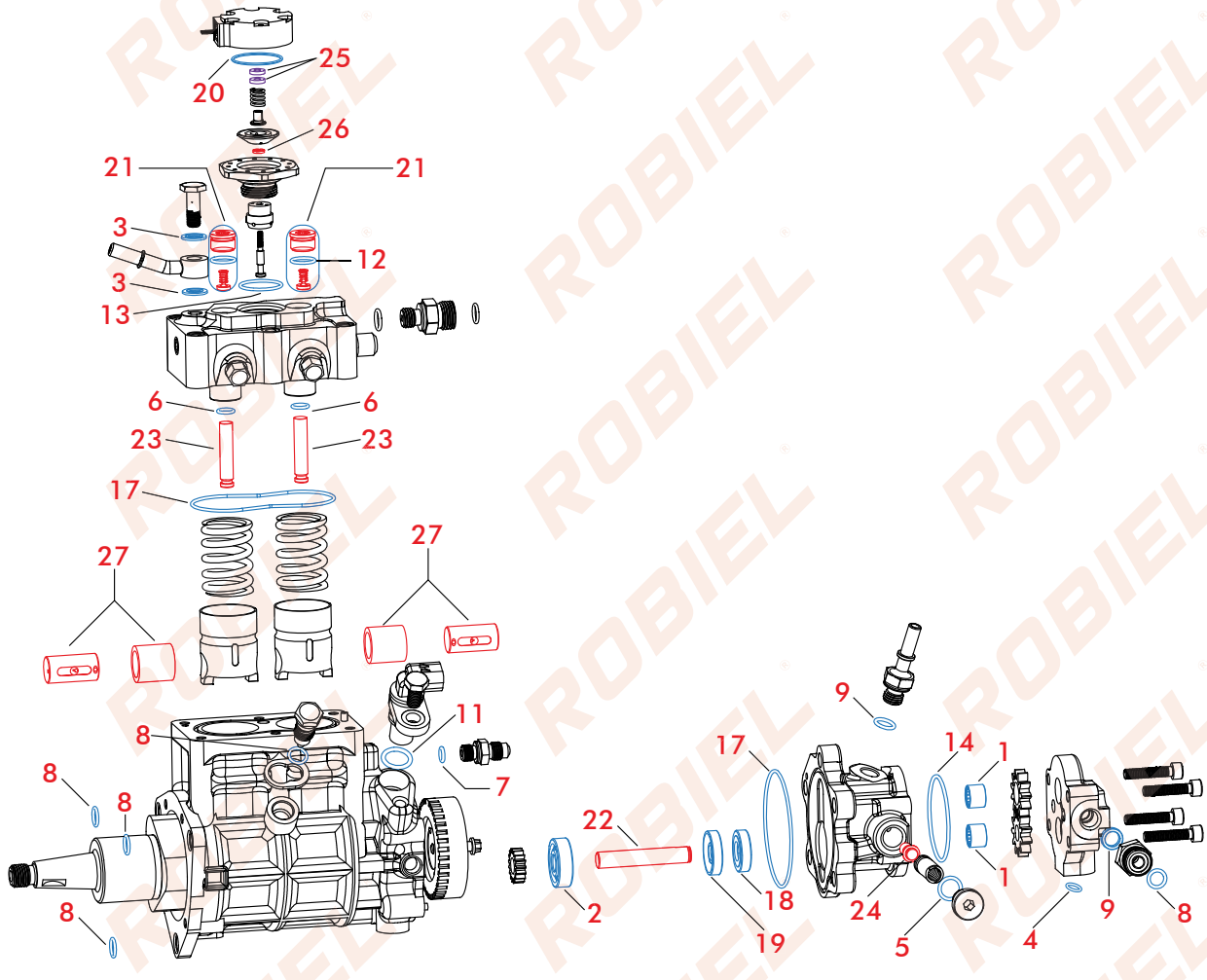
CATERPILLAR | PERKINS HIGH PRESSURE PUMP
 BOMBA DE ALTA PRESIÓN CATERPILLAR | PERKINS

PUMP CODE

317-8021

324-0532

326-4635



410.20.052

Repair Parts - Caterpillar Suction Valve
 Reparación Valvula Aspiración Caterpillar

410.60.6351

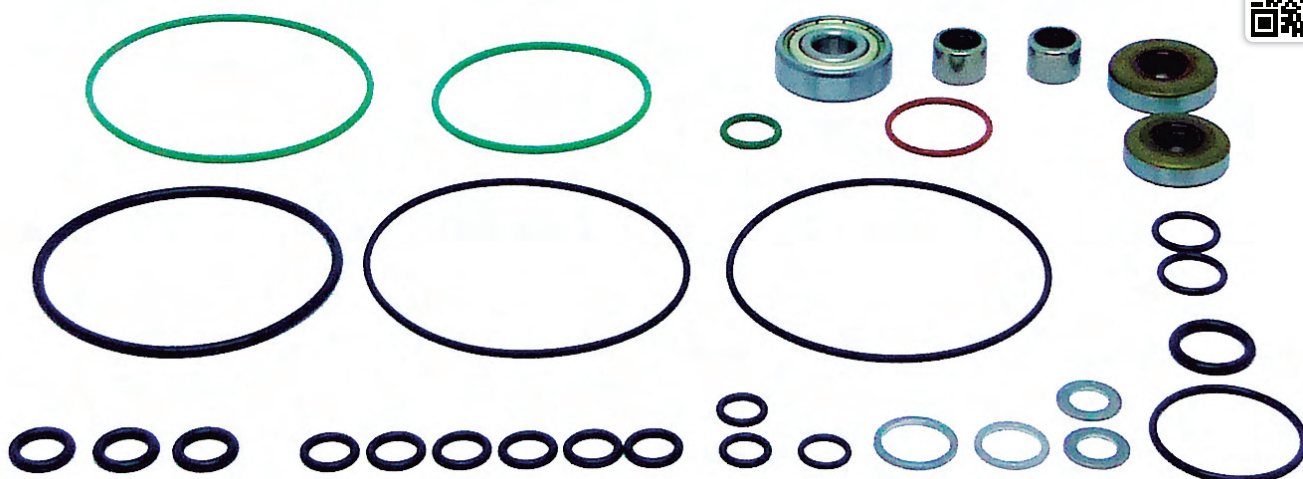
REPAIR PARTS - CATERPILLAR HIGH PRESSURE PUMP COMPLETE

REPARACION BBA ALTA PRESION CATERPILLAR COMPLETA

REFERENCE							
Nº	ROBIEL CODE	REFERENCE	PACK	Nº	CÓD. ROBIEL	REFERÊNCIA	EMB.
1	321.00.04	-	02un.	11	421.01.426	-	01un.
2	321.00.06	-	01un.	12	421.01.218	-	02un.
3	508.14.10	-	02un.	13	421.02.317	-	01un.
4	512.16.15	-	01un.	14	421.05.020	-	01un.
5	514.18.15	-	01un.	15	421.06.226	-	01un.
6	421.00.717	-	02un.	16	421.06.618	-	01un.
7	421.00.831	-	01un.	17	421.06.917*	-	02un.
8	421.00.852	-	06un.	18	430.01.025	-	01un.
9	421.00.925	F 00H N35 985	03un.	19	430.01.027	-	01un.
10	421.01.142	-	01un.	20	421.02.912	-	01un.

* This ring is used in other pump type.

* Anillo utilizado y otro tipo de bomba de alimentación.



25

ADJUSTMENT SHIM

CALZO DE AJUSTE

Ø Int.: 3.00 Ø Ext.: 8.00



ROBIEL CODE	REFERENCE	THICKNESS(mm)
803.09.15*	2 430 101 825	1.50
803.09.155*	2 430 101 827	1.55
803.09.16*	2 430 101 830	1.60
803.09.165*	2 430 101 833	1.65
803.09.17*	2 430 101 835	1.70
803.09.175*	2 430 101 837	1.75
803.09.18*	2 430 102 380	1.80
803.09.185*	2 430 101 845	1.85
803.09.19*	2 430 101 845	1.90
803.09.195*	2 430 101 847	1.95
803.09.20*	2 430 101 849	2.00

12 UNITS

*For correct application, use a combination of two shims to achieve the desired thickness.

SPARE PARTS Repuestos

Nº	ROBIEL CODE	REFERENCE	DESCRIPTION	PACK
21	410.20.052	-	Repair Parts - Caterpillar Suction Valve <i>Reparacion Valvula Aspiracion Caterpillar</i>	01kit
22	190.03.153	-	Shaft - Caterpillar Gear Pump W/ Lock and key <i>Eje de la BBA Alimentación Caterpillar c/ Bloqueo e Llaveta</i>	01un
23	ECP.41.7993	-	Plunger - Caterpillar Pump 320D 938H - $\varnothing 7.993\text{mm}$ w/ Coating <i>ELEMENTO BBA Caterpillar 320D 938H - $\varnothing 7.993\text{mm}$ con Revestimiento</i>	01un
23	ECP.41.8005	-	Plunger - Caterpillar Pump 320D 938H - $\varnothing 8.005\text{mm}$ w/ Coating <i>ELEMENTO BBA Caterpillar 320D 938H - $\varnothing 8.005\text{mm}$ con Revestimiento</i>	01un
23	ECP.41.8010	-	Plunger - Caterpillar Pump 320D 938H - $\varnothing 8.010\text{mm}$ w/ Coating <i>ELEMENTO BBA Caterpillar 320D 938H - $\varnothing 8.010\text{mm}$ con Revestimiento</i>	01un
23	ECP.41.8015	-	Plunger - Caterpillar Pump 320D 938H - $\varnothing 8.015\text{mm}$ w/ Coating <i>ELEMENTO BBA Caterpillar 320D 938H - $\varnothing 8.015\text{mm}$ con Revestimiento</i>	01un
24	340.03.39	-	Safety Valve - MBB 1933 y Caterpillar Gear Pump <i>Valvula Seguridad BBA Alimentación MBB 1933 y Caterpillar</i>	01un
26	803.07.15	-	Adjustment Shim - 1.50mm <i>Calzo de Ajuste - 1.50mm</i>	12un
27	321.10.03	-	Pin and Roller - Caterpillar Pump <i>Pin y Rodillo BBA Caterpillar</i>	01un



324.21.080

Grinding Tool to Caterpillar Pump Plunger
Herramienta Rectificar ELEMENTO BBA Caterpillar $\varnothing 8.00\text{mm}$



324.22.080

Polishing Tool to Caterpillar Pump Plunger
Herramienta Acabamiento ELEMENTO BBA Caterpillar $\varnothing 8.00\text{mm}$



324.19.005

Grinding Tool to Caterpillar Pump Valve Seat
Herramienta Rectificar Asiento Valvula BBA Caterpillar



324.20.005

Polishing Tool to Caterpillar Pump Valve Seat
Herramienta Acabamiento Asiento Valvula BBA Caterpillar



323.02.13

Cutting Oil
Aceite Corte



323.50.212

Caterpillar C4 | C6 Injector and Pump Tool Kit
Kit de Herramientas Inyectores e Bombas Caterpillar C4 | C6

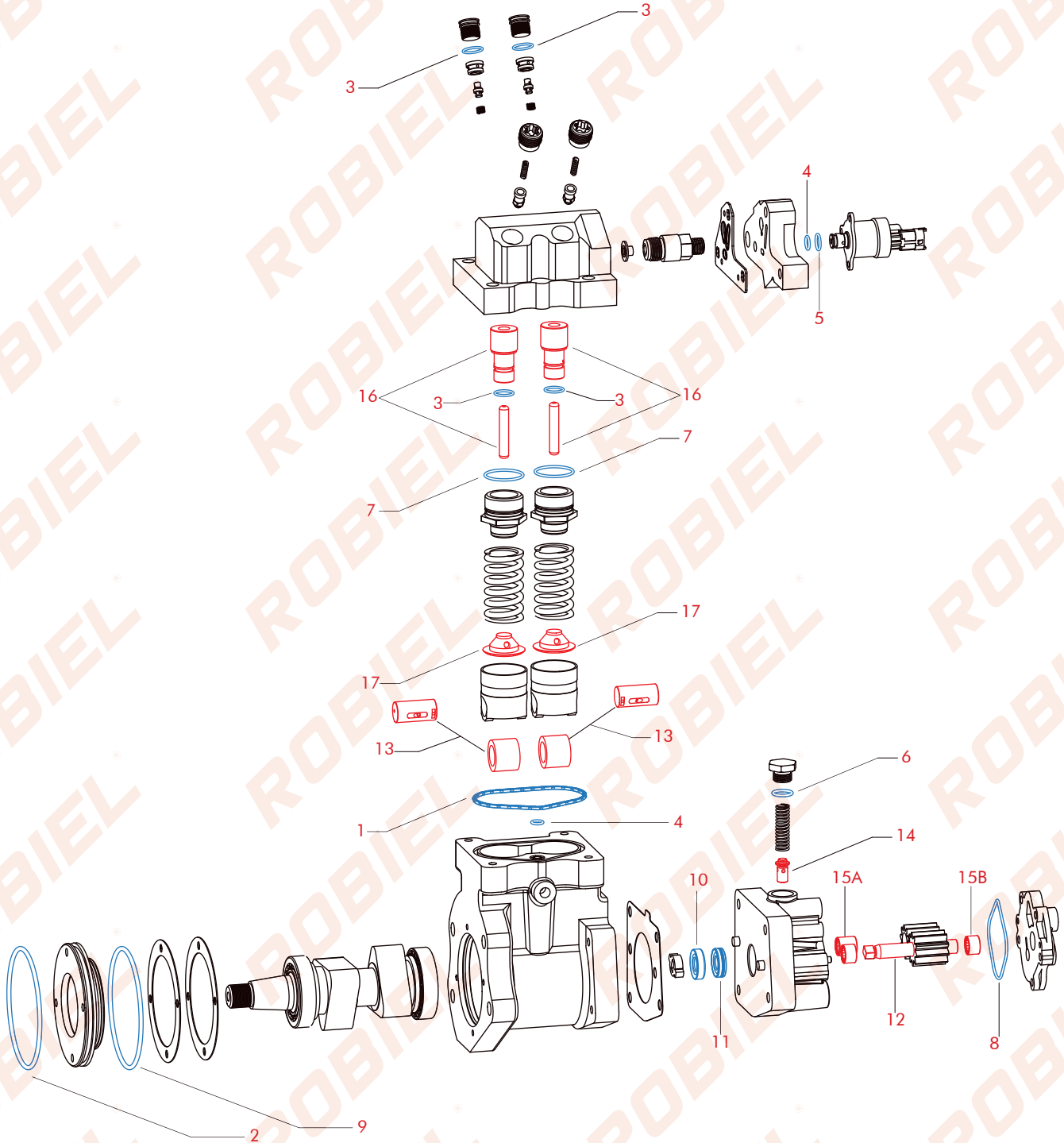


CP2 HIGH PRESSURE PUMP
 BOMBA DE ALTA PRESIÓN CP2

PUMPS CODES

P4921431 1T05342080

4088604 HG05342072

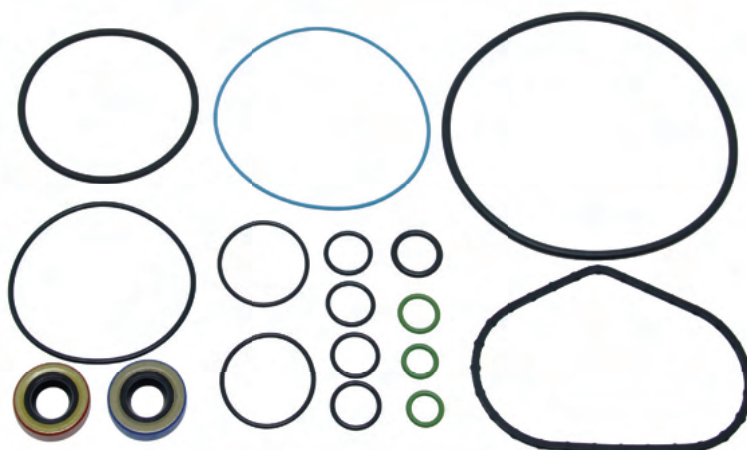


410.38.841

REPAIR PARTS - CP2 HIGH PRESSURE PUMP

REPARACION BBA ALTA PRESION CP2

ENGINE CODE		36063884					
Nº	ROBIEL CODE	REFERENCE	PACK	Nº	ROBIEL CODE	REFERENCE	PACK
1	420.05.28	F 01M 300 718	01un.	7	421.03.018	-	02un.
2	421.10.030	-	01un.	8	421.05.920	-	01un.
3	421.00.418	-	04un.	9	421.07.618	-	01un.
4	421.00.920	1 928 300 718	02un.	10	430.01.225	-	01un.
5	421.01.120	F 928 300 719	01un.	11	430.01.226	-	01un.
6	421.01.424	-	01un.				



410.00.34

REPAIR PARTS - CP2 GEAR PUMP

REPARACION BBA ALIMENTACION CP2

REFERENCE				
Nº	ROBIEL CODE	REFERENCE	DESCRIPTION	PACK
15A	321.00.00	-	Bearing - Rodamiento	02un.
15B	321.00.01	-	Bearing - Rodamiento	01un.



SPARE PARTS Repuestos

Nº	ROBIEL CODE	REFERENCE	DESCRIPTION	PACK
12	190.03.16	-	Shaft - CP2 gear Pump <i>Eje de la BBA Alimentación CP2</i>	01un.
13	321.10.02	-	Pin and Roller - CP2 Pump <i>Pin y Rodillo de la BBA CP2</i>	01 kit.
14	340.03.35	-	Relief Valve - MBB 712C / CP2 Gear Pump <i>Valvula Seguridad BBA Alimentación MBB 712C / CP2</i>	01un.
16	ECP20.00	-	Plunger - CP2 Pump <i>ELEMENTO de la BBA CP2</i>	01un.
17	305.12.00	-	Spring Retainer - CP2 Pump <i>Platillo Del Resorte BBA CP2</i>	02un.

12



14



17



13



16





324.19.010

Grinding Tool to CP2
Gear Pump Valve seat
*Herramienta Rectificar Asiento
Valva BBA Alimentación CP2*



324.20.010

Polishing Tool to CP2
Gear Pump Valve seat
*Herramienta Acabamiento
Asiento Valva BBA
Alimentación CP2*



324.19.014

Grinding Tool to CP2
Pump Head Valve seat
*Herramienta Rectificar Asiento
Valva Cabeza Hidráulica BBA CP2*



324.20.014

Polishing Tool to CP2
Pump Head Valve seat
*Herramienta Acabamiento Asiento
Valva Cabeza Hidráulica BBA CP2*



324.18.009

Polishing Tool to CP2 Pump
Plunger Seat
*Herramienta Acabamiento Asiento
ELEMENTO BBA CP2*



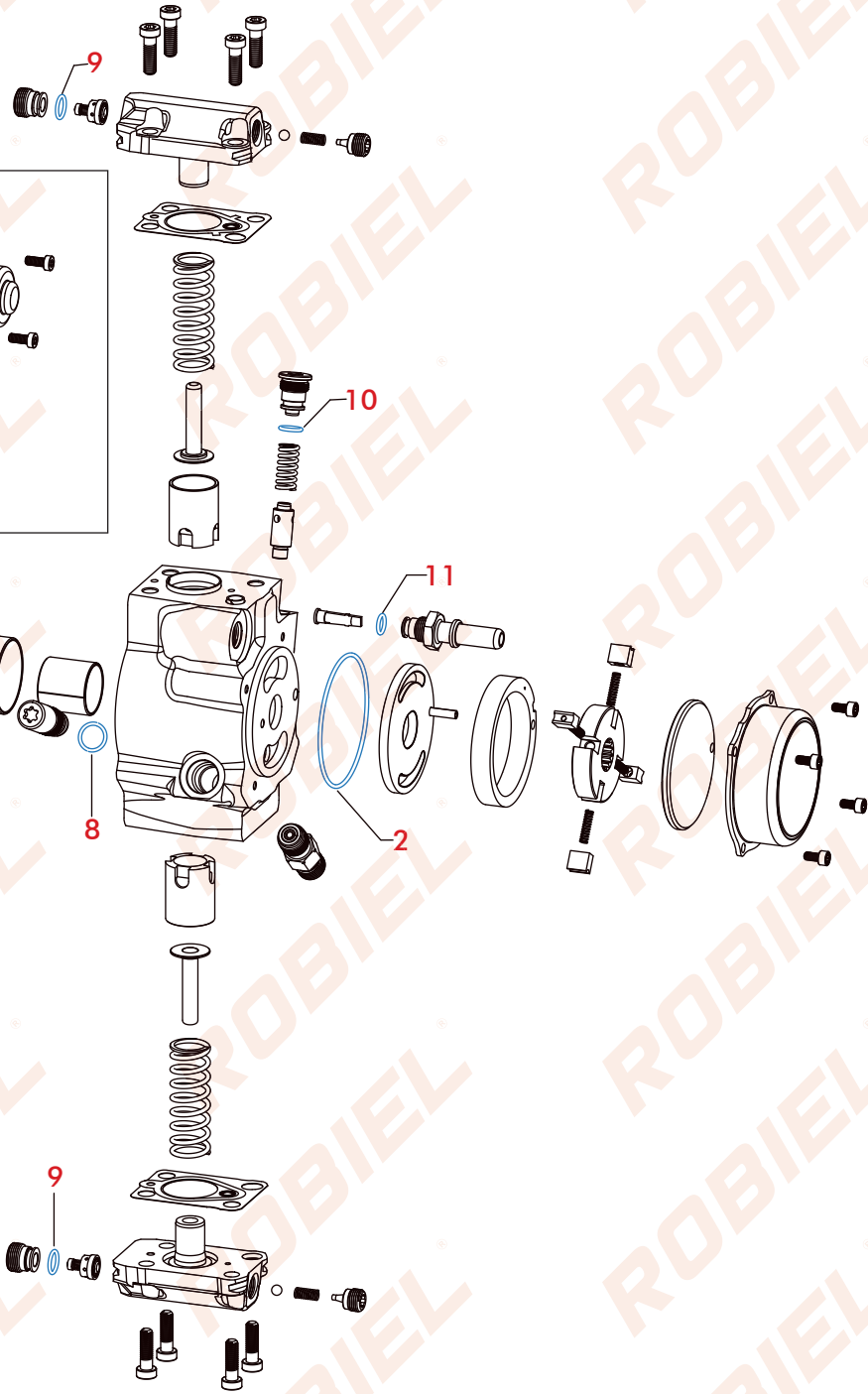
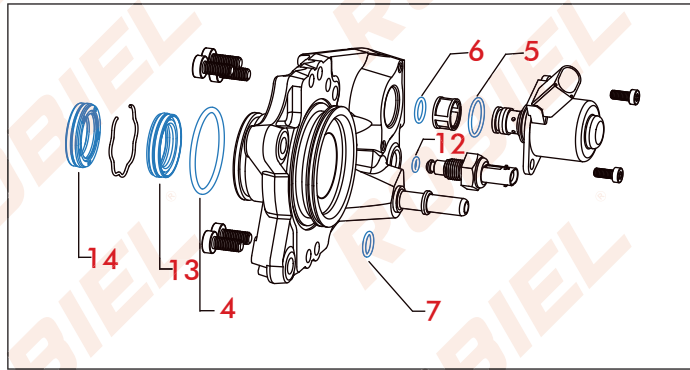
323.02.13

Cutting Oil
Aceite Corte



DELPHI HIGH PRESSURE PUMP
BOMBA DE ALTA PRESIÓN DELPHI

SPRINTER | BONGO | HR

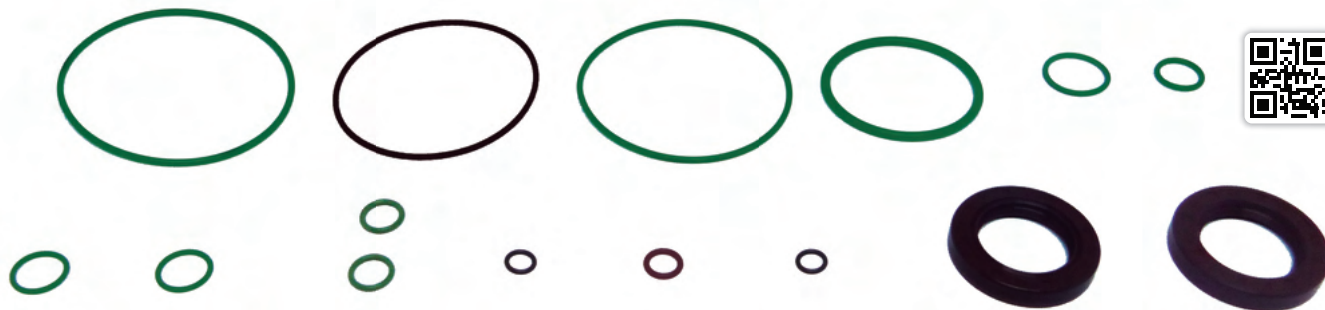


410.35.681
REPAIR PARTS - DELPHI HIGH PRESSURE PUMP

REPARACION BBA ALTA PRESION DELPHI

HR / H100 KIA BONGO K2500 / SPRINTER

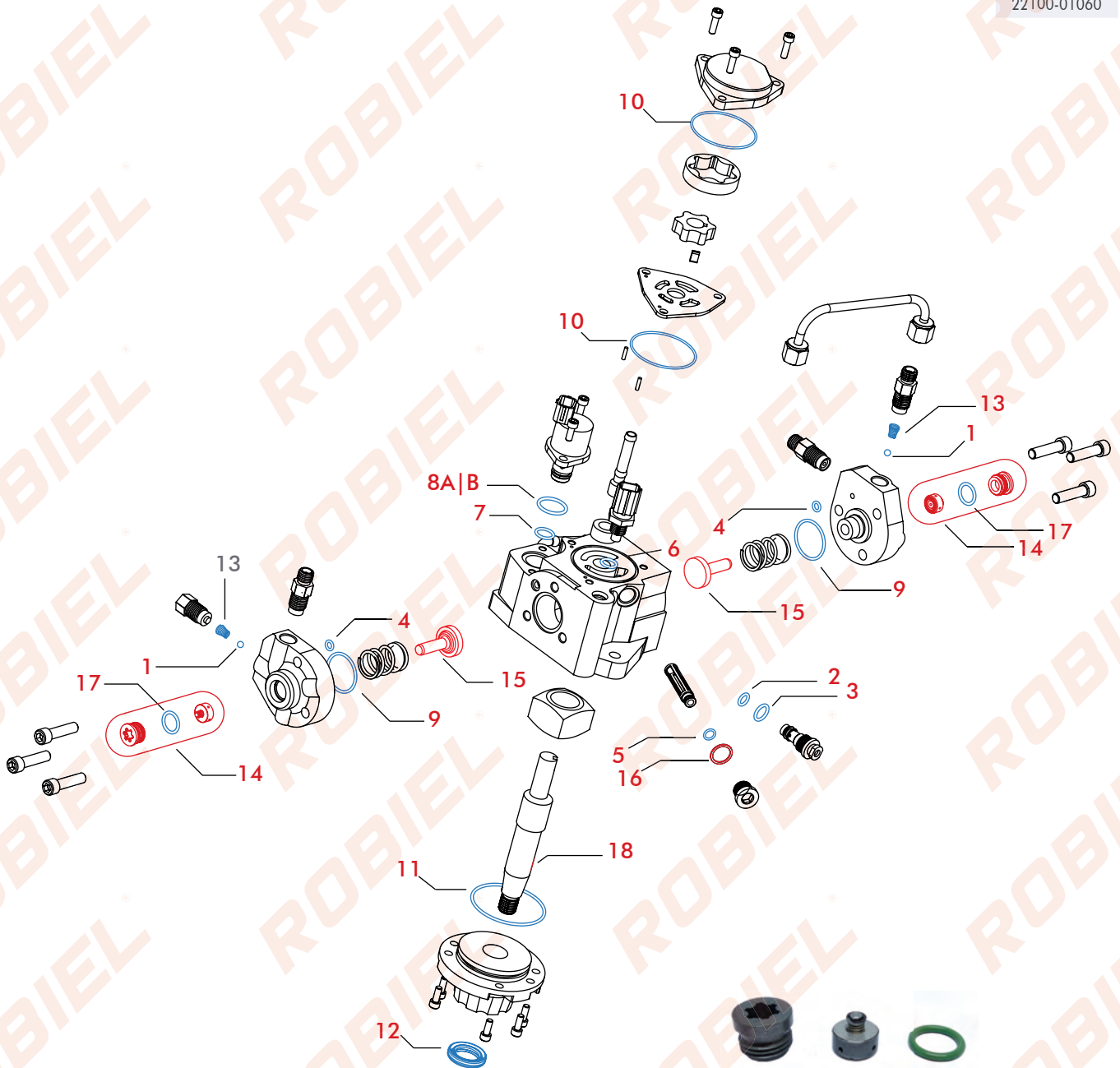
REFERENCE		7135-681		
Nº	ROBIEL CODE	REFERENCE	DESCRIPTION	PACK
1	421.07.115	-	O-ring - Anillo	01un.
2	421.06.318	-	O-ring - Anillo	01un.
3A	421.06.520	-	O-ring - Anillo (HR)	01un.
3B	421.05.520	-	O-ring - Anillo (SPRINTER)	01un.
4	421.04.430	-	O-ring - Anillo	01un.
5	421.01.918	-	O-ring - Anillo	01un.
6	421.11.916	-	O-ring - Anillo	01un.
7	421.01.117	-	O-ring - Anillo	01un.
8	421.01.115	-	O-ring - Anillo	01un.
9	421.00.915	-	O-ring - Anillo	02un.
10	421.00.717	-	O-ring - Anillo	01un.
11	421.00.520	-	O-ring - Anillo	01un.
12	421.00.716	-	O-ring - Anillo	01un.
13	430.02.538	7190-234	Retainer - Retén	01un.
14	430.02.539	7190-266	Retainer - Retén	01un.



DENSO HP3 HIGH PRESSURE PUMP
 BOMBA DE ALTA PRESIÓN DENSO HP3

Toyota Hilux
 Mitsubishi L200 Triton

PUMP CODE
HILUX
22100-01020
22100-01060



410.20.048

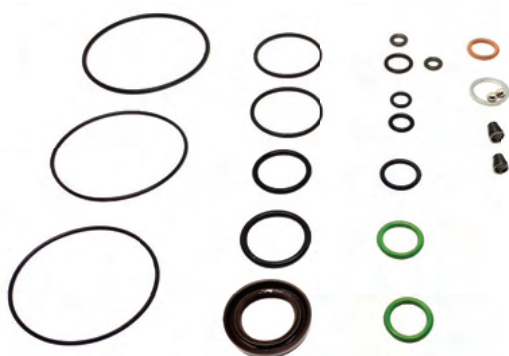
Repair Parts - Denso Suction Valve
 Reparación Valvula Aspiración Denso

410.03.193

REPAIR PARTS - DENSO/HILUX HIGH PRESSURE PUMP

REPARACION BBA ALTA PRESION DENSO HILUX

REFERENCE							
Nº	ROBIEL CODE	REFERENCE	PACK	Nº	ROBIEL CODE	REFERENCE	PACK
1	190.50.17	-	02un	8B	421.02.226	PUMP 22100-0L060	01un
2	420.00.720	-	01un	9	421.02.818	-	02un
3	421.01.022	-	01un	10	421.05.015	-	02un
4	421.00.520	-	02un	11	421.05.321	-	01un
5	421.00.616	-	01un	12	430.20.030	-	01un
6	421.00.918	-	01un	13	225.01.53	-	02un
7	421.01.320	-	01un	16	514.18.15	Int.: 14.0 x Ext: 18.0	01un
8A	421.01.923	BBA 22100-0L020	01un	17	421.01.324	-	02un



SPARE PARTS

Repuestos

Nº	ROBIEL CODE	REFERENCE	DESCRIPTION	PACK
14	410.20.048	-	Repair Parts - Denso Suction Valve <i>Reparacion Valvula Aspiracion Denso</i>	01kit
15	EDS.00.8505	-	Plunger - Denso Pump - 8.505mm <i>ELEMENTO BBA Denso - 8.505mm</i>	01un
15	EDS.00.8510	-	Plunger - Denso Pump - 8.510mm <i>ELEMENTO BBA Denso - 8.510mm</i>	01un
15	EDS.00.8515	-	Plunger - Denso Pump - 8.515mm <i>ELEMENTO BBA Denso - 8.515mm</i>	01un
18	156.01.12	-	Fitted Key - John Deere / Hilux / Hilux / Triton / S10 Pump <i>Llaveta de la Bomba John Deere / Hilux / triton / S10</i>	10un



323.02.061
Tighten/Loosen Tool - Denso Pump Bolt
Herramienta Soltar/Aperatar Tapon De la BBA Denso

323.02.14
Impact Wrench - 1/2"
Llave de Impacto 1/2"

323.50.36
TOOL SET - DENSO HP3/HP4 PUMP
JUEGO HERRAMIENTA BOMBA DENSO HP3/HP4

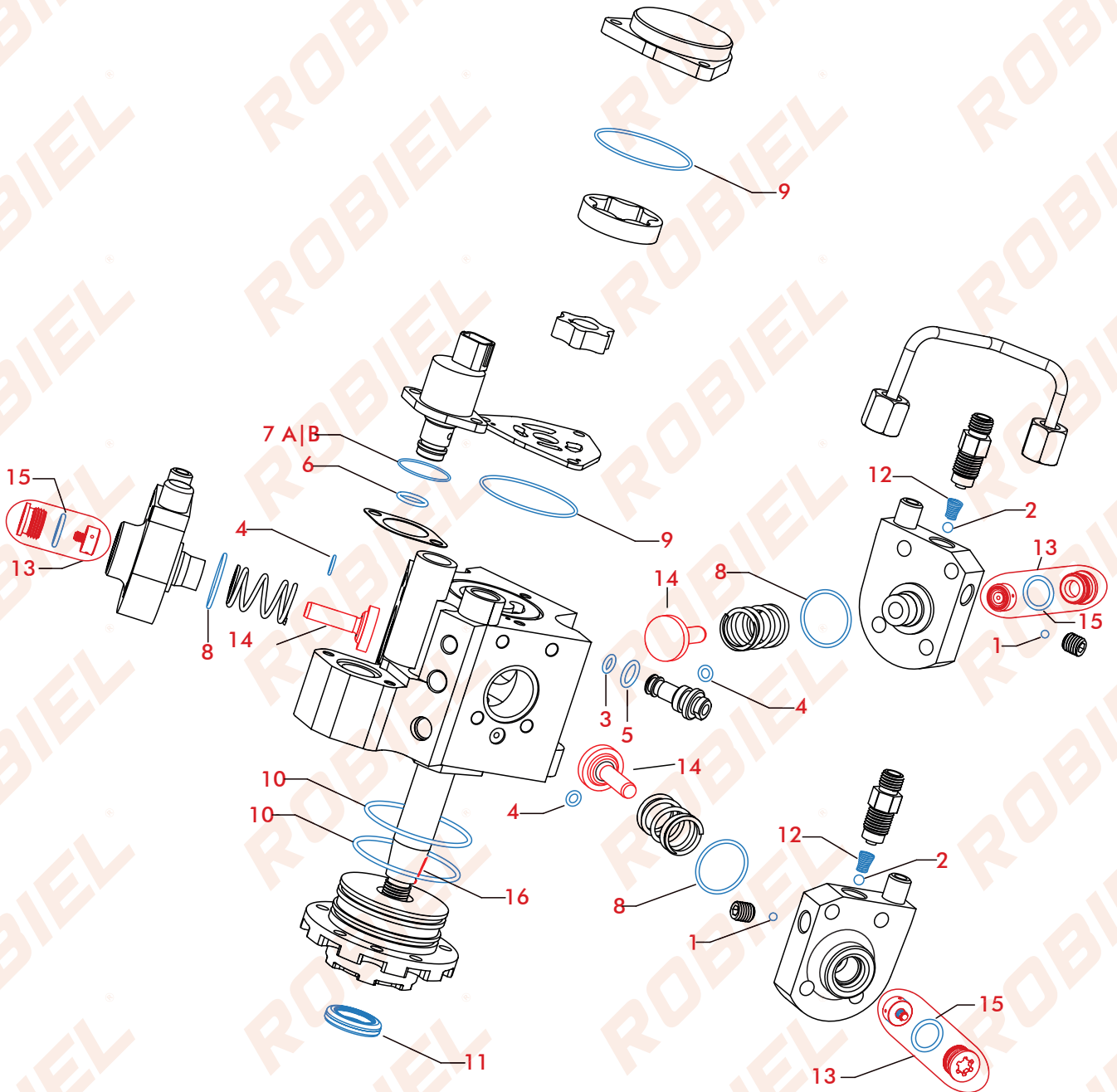
323.02.13
Cutting Oil
Aceite Corte

DENSO HP4 HIGH PRESSURE PUMP
 BOMBA DE ALTA PRESIÓN DENSO HP4

John Deere

PUMP CODE

294050-0063



410.20.048

Repair Parts - Denso Suction Valve
 Reparacion Valvula Aspiracion Denso

410.03.202

REPAIR PARTS - DENSO/JOHN DEERE HIGH PRESSURE PUMP

REPARACION BBA ALTA PRESION DENSO JOHN DEERE

REFERENCE							
Nº	ROBIEL CODE	REFERENCE	PACK	Nº	ROBIEL CODE	REFERENCE	PACK
1	190.50.01	∅ 3.96mm	02un	7B	421.01.923	-	01un
2	190.50.17	∅ 3/16"	03un	8	421.02.818	-	03un
3	420.00.720	-	01un	9	421.05.015	-	02un
4	421.00.520	-	03un	10	421.05.422	-	02un
5	421.01.022	-	01un	11	430.20.030	-	01un
6	421.01.320	-	01un	12	225.01.53	-	03un
7A	421.02.710	-	01un	15	421.01.324	-	03un



SPARE PARTS

Repuestos

Nº	ROBIEL CODE	REFERENCE	DESCRIPTION	PACK
14	410.20.048	-	Repair Parts - Denso Suction Valve <i>Reparacion Valvula Aspiracion Denso</i>	01kit
15	EDS.00.8505	-	Plunger - Denso Pump - 8.505mm <i>ELEMENTO BBA Denso - 8.505mm</i>	01un
15	EDS.00.8510	-	Plunger - Denso Pump - 8.510mm <i>ELEMENTO BBA Denso - 8.510mm</i>	01un
15	EDS.00.8515	-	Plunger - Denso Pump - 8.515mm <i>ELEMENTO BBA Denso - 8.515mm</i>	01un
18	156.01.12	-	Fitted Key - John Deere / Hilux / Hilux / Triton / S10 Pump <i>Llaveta de la Bomba John Deere / Hilux / triton / S10</i>	10un



323.02.061
Tighten/Loosen Tool - Denso Pump Bolt
Herramienta Soltar/Apertar Tapon De la BBA Denso

323.02.14
Impact Wrench - 1/2"
Llave de Impacto 1/2"

323.50.36
TOOL SET - DENSO HP3/HP4 PUMP
JUEGO HERRAMIENTA BOMBA DENSO HP3/HP4

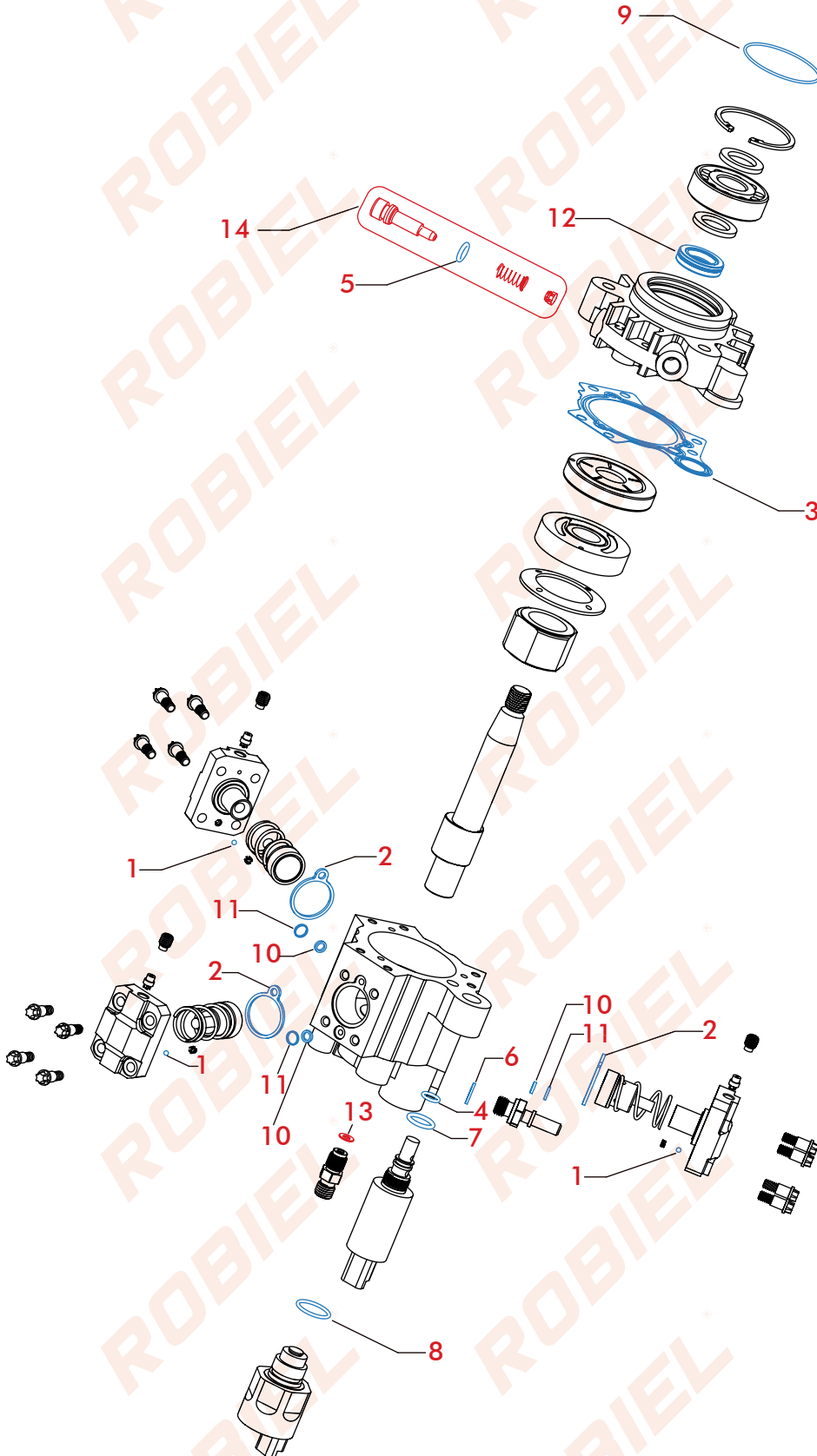
323.02.13
Cutting Oil
Aceite Corte

SIEMENS HIGH PRESSURE PUMP
BOMBA DE ALTA PRESIÓN SIEMENS

VDO | Continental

PUMP CODE

A 202 000 747

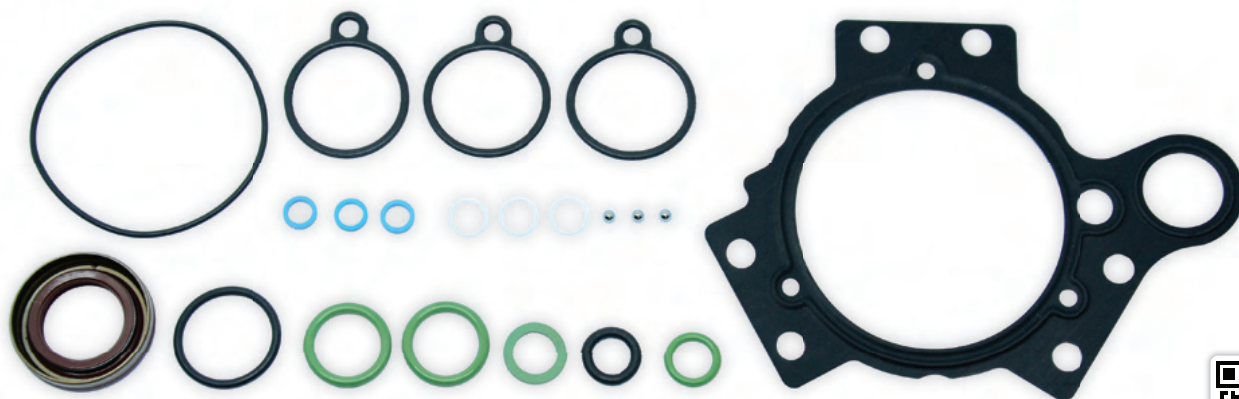


410.20.0511

REPAIR PARTS - SIEMENS/RANGER HIGH PRESSURE PUMP

REPARACION BBA ALTA PRESION SIEMENS RANGER

REFERENCE		BG5T9350AA Ford Ranger 3.0					
Nº	ROBIEL CODE	REFERENCE	PACK	Nº	ROBIEL CODE	REFERENCE	PACK
1	190.50.16	∅ 3.00mm	03un	7	421.01.525	-	02un
2	421.03.02	∅ 3/16"	03un	8	421.02.020	-	01un
3	450.13.351	-	01un	9	421.05.015	-	01un
4	421.00.920	-	01un	10	422.05.511	-	03un
5	421.00.925	-	01un	11	424.08.914	-	03un
6	421.01.015	-	01un	12	430.02.031V	-	01un



410.20.695

REPAIR PARTS - SIEMENS/CONTINENTAL PUMP

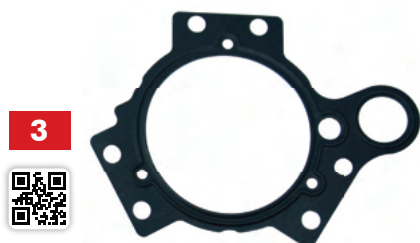
REPARACION BOMBA SIEMENS / CONTINENTAL

REFERENCE		BK3Q9B395AD Ford Ranger 3.2 / 2.2			
ROBIEL CODE	PACK	ROBIEL CODE	PACK		
421.04.620	01un	421.10.116	03un		
421.01.115	01un	421.26.718	03un		
421.00.918	01un	421.01.725	01un		
421.00.718	03un	421.61.726	01un		
424.10.1115	03un	421.56.826	01un		
420.08.1016	03un	430.22.3363	01un		
421.64.020	01un	421.00.862	02un		

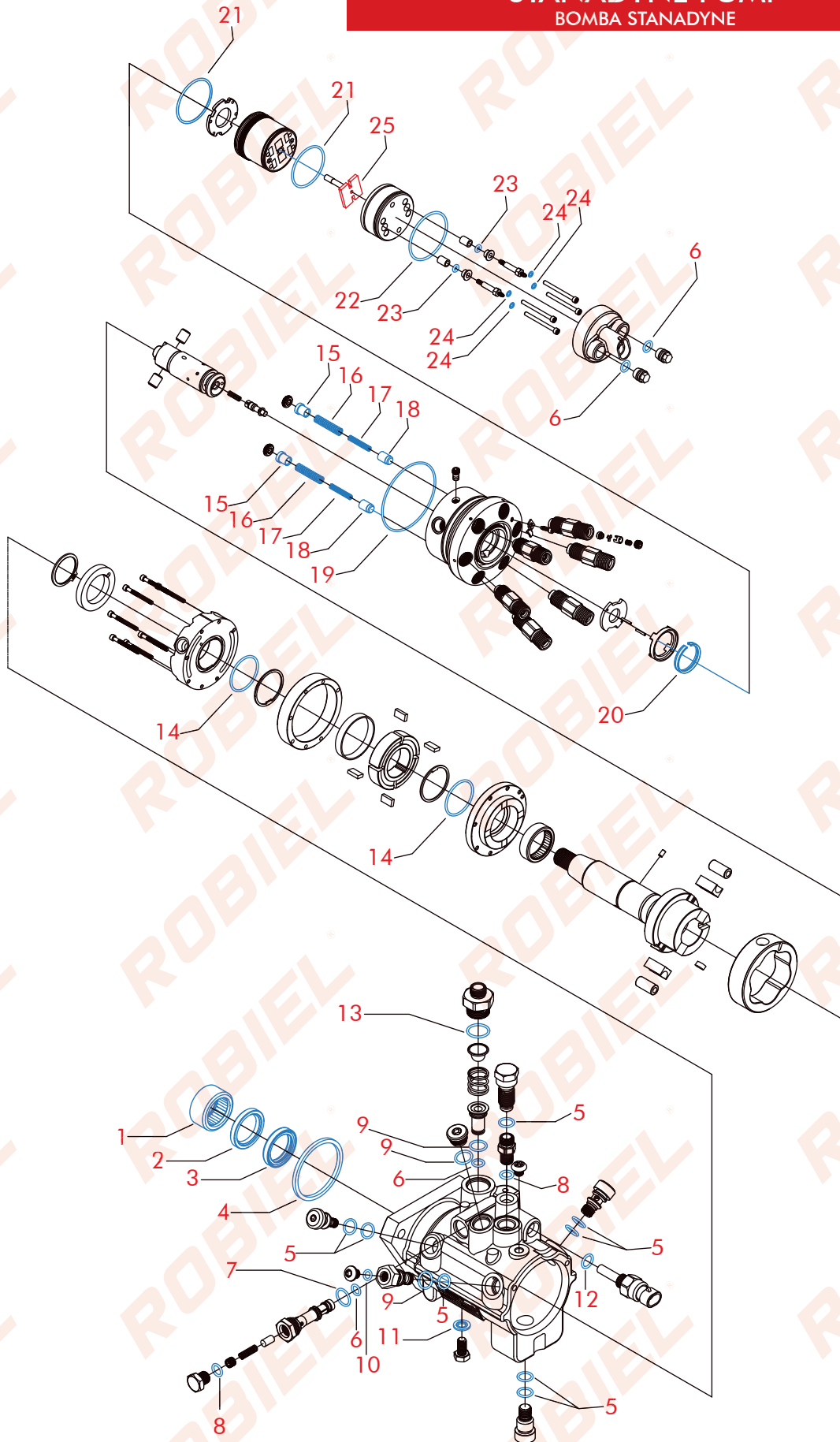


SPARE PARTS Repuestos

Nº	ROBIEL CODE	REFERENCE	DESCRIPTION	PACK
3	450.13.351	-	Gasket - Siemens / Ranger Pump Cover <i>Empaquetadura Tapa BBA Siemens / Ranger</i>	01un
13	805.09.05	F 00V C17 003 F 00R OP0 004	Shim - 0.60mm <i>Calzo - 0.60mm</i>	12un
14	342.00.01	-	Low Pressure Adjustment Valve Ford Ranger 3.0 <i>Válvula de ajuste de baja Presión Ford Ranger 3.0</i>	01un
R1	342.00.02	-	Low Pressure Adjustment Valve Ford Ranger 3.2 / 2.2 <i>Válvula de ajuste de baja Presión Ford Ranger 3.2 / 2.2</i>	01un



STANADYNE PUMP
BOMBA STANADYNE



410.36.476

REPAIR PARTS - STANADYNE PUMP

REPARACION BBA STANADYNE

REFERENCE		36476 - STANADYNE					
Nº	ROBIEL CODE	DESCRIPTION	PACK	Nº	ROBIEL CODE	DESCRIPTION	PACK
1	321.00.07	Bearing - Rodamiento	01un.	13	421.01.717	O-ring - Anillo	01un.
2	430.02.938	Retainer - Retén	01un.	14	421.03.118	O-ring - Anillo	02un.
3	430.02.937	Retainer - Retén	01un.	15	310.01.11	Piston - Pistón	02un.
4	421.60.5334	O-ring - Anillo	01un.	16	225.01.58	Spring- Resorte	02un.
5	421.01.116	O-ring - Anillo	08un.	17	225.01.59	Spring- Resorte	02un.
6	421.00.818	O-ring - Anillo	04un.	18	310.01.10	Piston - Pistón	02un.
7	421.01.417*	O-ring - Anillo	01un.	19	421.06.516	O-ring - Anillo	01un.
8	421.00.919	O-ring - Anillo	02un.	20	135.05.02*	Ring (Profile - Steel) Anillo Perfil de acero	01un.
9	421.01.217	O-ring - Anillo	03un.	21	421.03.817*	O-ring - Anillo	02un.
10	421.00.618	O-ring - Anillo	01un.	22	421.04.418	O-ring - Anillo	01un.
11	608.13.15	Washer - Arandela	01un.	23	421.00.417	O-ring - Anillo	02un.
12	421.01.018	O-ring - Anillo	01un.	24	603.05.10	Washer - Arandela	04un.

* Item sold separate. * Artículo vendido avulso.



25

ARMATURE PLATE - STANADYNE PUMP

ARMADURA BBA STANADYNE



ROBIEL CODE	REFERENCE	THICKNESS(mm)
801.20.285	36145	2.85
01 UNIT		

