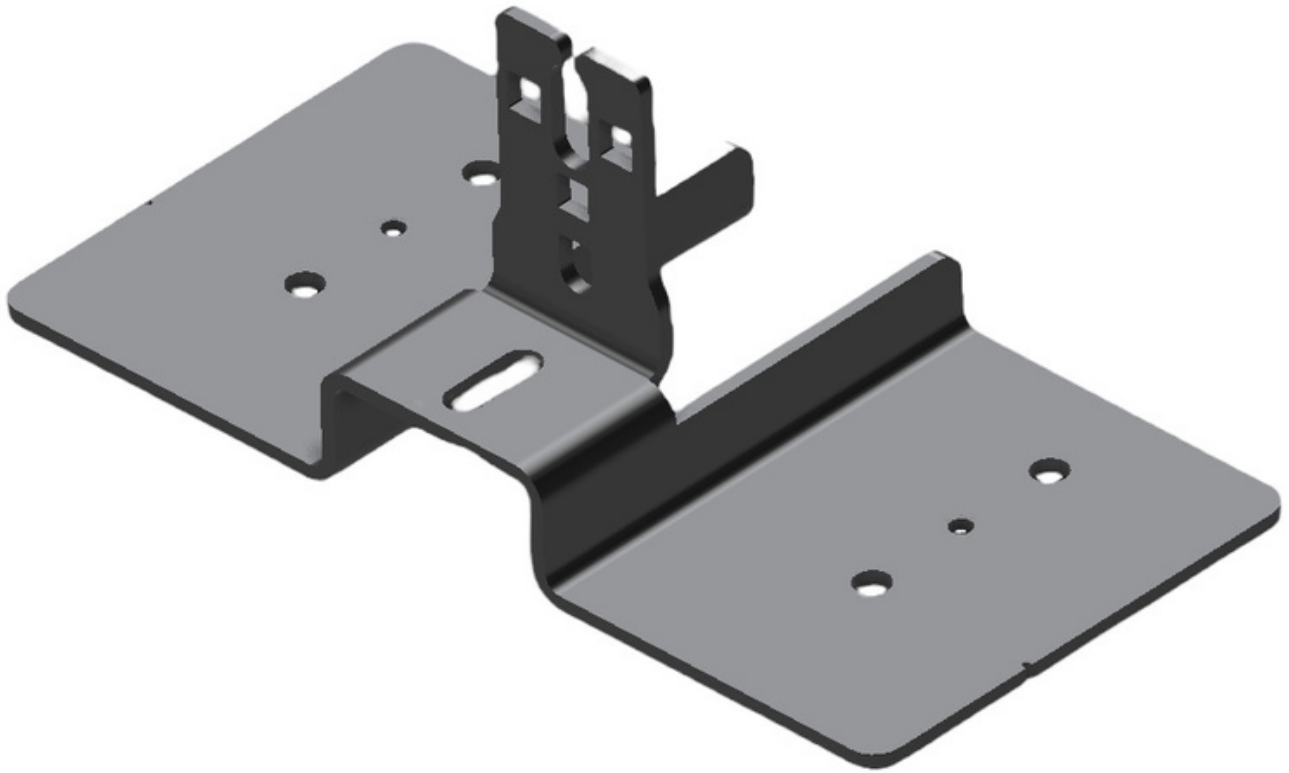


INTEGRARACK®

Revolutionary Solar Racking Systems



IR-D2

INSTALL INSTRUCTIONS



IntegraRack® backs all of its products with a 25 year limited product warranty. We fully stand by the quality and guarantee that they will hold up under the harshest conditions when properly installed.

Disclaimer

The instructions detailed in this manual will provide the knowledge and requirements necessary for proper installation of the given product. Be sure to read them thoroughly and make sure that you fully understand them before proceeding with installation. Any improper use or installation of these products will void any and all warranty coverage, and may cause failure, property damage or personal injury. IntegraRack is not responsible for any damages caused by improper use.

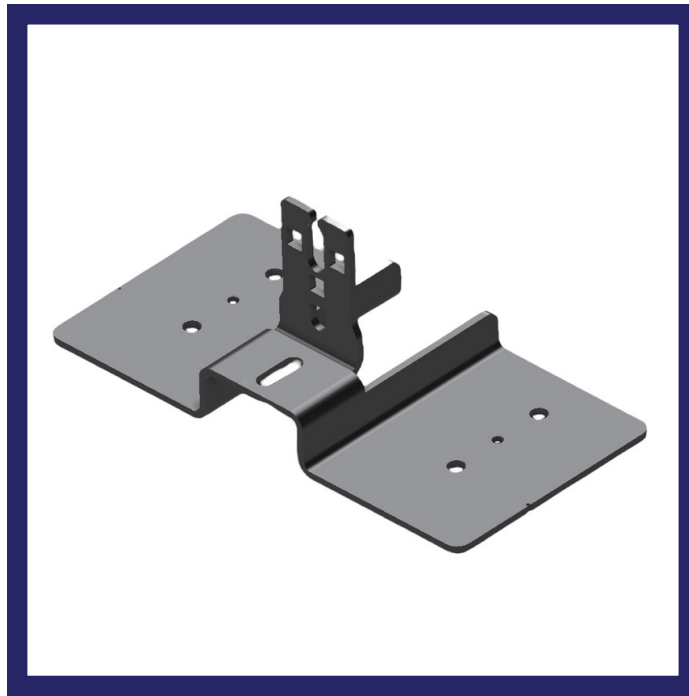
IT IS THE RESPONSIBILITY OF THE INSTALLER TO:

- Comply with any and all applicable local or national codes and regulations.
- Ensure all products are appropriate for the installation according to the environmental and loading conditions.
- Ensure roof structure is in good condition prior to installation
- Disconnect AC power before servicing or removing modules, micro-inverters or power optimizers.
- Review manufacturer's documentation for compatibility and compliance for solar modules and 3rd party systems.
- If loose components or loose fasteners are found during periodic inspection, re-tighten immediately. Any components showing signs of corrosion or damage that compromise safety shall be replaced immediately.
- Provide an appropriate method of direct-to-earth grounding according to the latest edition of the National Electrical Code, including NEC 250: Grounding and Bonding, and NEC 690: Solar Photovoltaic Systems.
- Ensure safe installation of all electrical aspects of the solar system (All electrical installation and procedures should be conducted by a licensed and bonded electrician or solar contractor). Regular maintenance of a module or panel shall not involve breaking or disturbing the bonding path of the system. All work must comply with national, state and local installation procedures, product and safety standards.
- Ensure bare copper grounding wire does not contact aluminum and zinc-plated steel components, to prevent risk of galvanic corrosion.
- Ensure provided information is accurate. Issues resulting from inaccurate information are the installer's responsibility.

Components

INCLUDED COMPONENTS

- (1) IR-D2



IR-D2 Wide Foot TPO Bracket

Required Tools

Tools Needed

- Bostik 915FS™ Hurricane Strength Fast Setting Polyurethane Adhesive
- Caulk Gun With Spreader Attachment
- Line Chalk
- Tape Measure
- Permanent Marker
- Rag
- Rubbing Alcohol

Tools Needed For Deck Mounted Installation (In addition to above tools)

- 1/2" Wrench or Screw Gun
- (4) IR Deck Mounting Bolts with EPDM Sealing Washers Per IR-D2 Bracket



1. Chalk Lines For Each Row

Chalk lines for each row according to placement of rails. Each IR-D2 Bracket has notches cut into each side of the feet that will align with back of the upright part of the bracket that attaches to the rail. These notches will be placed along the chalk line.



2. Measure For Roof Mount Spacing

For optimal load requirements, IR-D2s must be placed no more than 12 inches in from each end of the rail, and spaced no more than 4 feet apart (See our datasheets for detailed snow and wind load requirements).



3. Prep Roof and Mark Adhesive Application Area

Clean the area thoroughly where each roof mount will be installed on the chalk line with alcohol, and then use a marker to trace out the footprint of the roof mounting bracket onto roof.



4. Apply Adhesive and Mount Brackets

Using a spreader attachment or lines of Polyurethane every 1/4", apply adhesive over the entire marked area for each mount. If using IntegraRack IR 10 Min. Flex Epoxy, mix 1 to 1 resin and hardener together in mixing tray with a paint brush and then brush epoxy on roof and to the entire bottom foot area of bracket and press with even pressure to set mount in place on roof. Polyurethane requires 8 to 24 hours to set up, and IR Flex Epoxy sets up in 10-15 min.



5. Attach Rails

Attach rails using the T-Bolts provided with the rail system. The IR-D2 has an opening for a 5/16" T-Bolt and an adjustable slot for a 3/8" T-Bolt make it compatible with all rail system.

6. Install Solar Modules

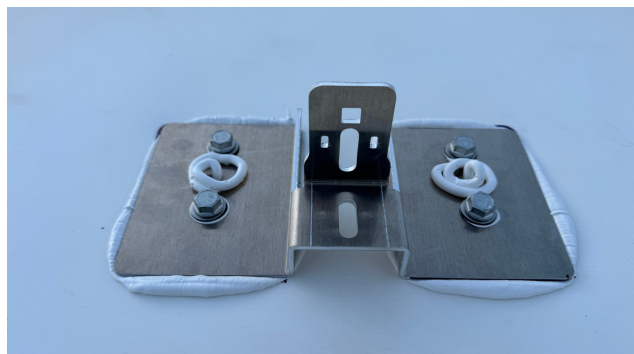
String line across top of rails up the roof to adjust all rails to the same height and install solar modules as per manufacturers specifications.

Alternate Installation

Installing the IR-D2 using just our high-strength tested polyurethane sealant is super fast and 100% non-invasive and rated for up to 200lbs of uplift per bracket. However certain environments and local building codes require higher uplift capacities or deck mounting.

Deck Mounting

After installing the IR-D2 brackets as instructed, use (4) of our IR Deck Mount Bolts and four of the openings on the bottom foot of the bracket to deck mount it to the roof. It is important to do this before adhesive sets up as the adhesive will work as a water tight seal.





View Installation Video



**See Our Other
Revolutionary Products**



©IntegraRack 2024, All Rights Reserved. Multiple US Patents Pending

www.IntegraRack.com