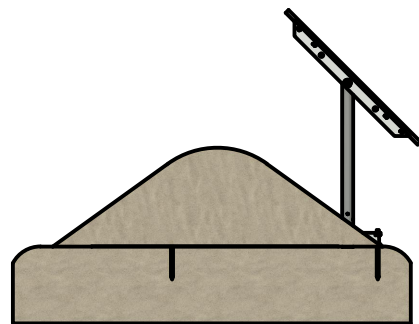


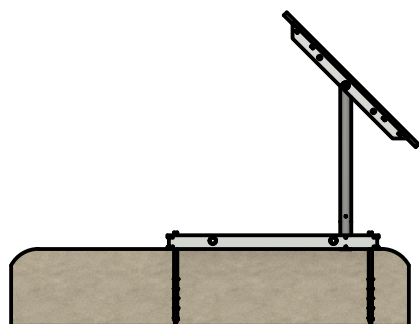
Base Frame Ballasted:

One 275 gallon water tote ballast required.
2,400lbs minimum per base frame.
(No stakes required)



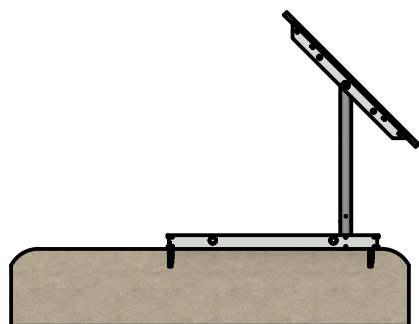
IR EarthBallast™ System:

36 inch fill to top of mound.
3,500lbs minimum per base frame.
(Four 12 inch steel stakes required)



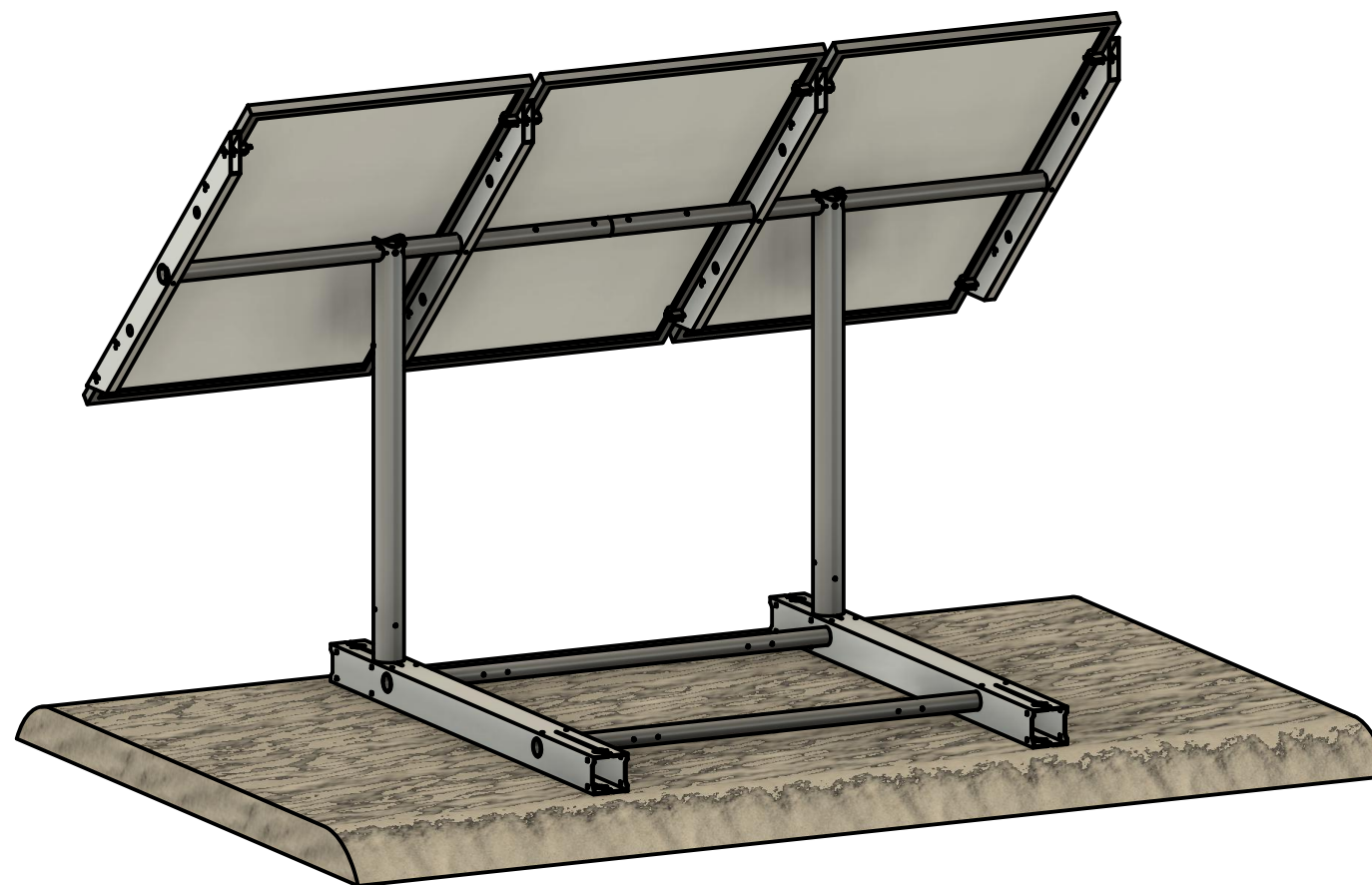
IR AnchorSpike™ System:

Four AnchorSpikes per base frame
Medium/high density compacted soil required.
(800lb minimum uplift test per AnchorSpike)



Base Frame Bolted:

Bolted to concrete footing,
concrete ballast pad, or steel beam.
(3,500lbs minimum hold down for base frame)



Base Frame Ballasted			IR EarthBallast™ System		
Array Angle	Max Snow Load (lbs/sqft)	Max Wind Speed (MPH)	Array Angle	Max Snow Load (lbs/sqft)	Max Wind Speed (MPH)
15	20	140	15	20	170
30	30	100	30	30	125
45	40	85	45	40	100

IR-AnchorSpike™ System			Base Frame Bolted		
Array Angle	Max Snow Load (lbs/sqft)	Max Wind Speed (MPH)	Array Angle	Max Snow Load (lbs/sqft)	Max Wind Speed (MPH)
15	20	140	15	20	170
30	30	100	30	30	125
45	40	85	45	40	100



PROJECT
IntegraRack

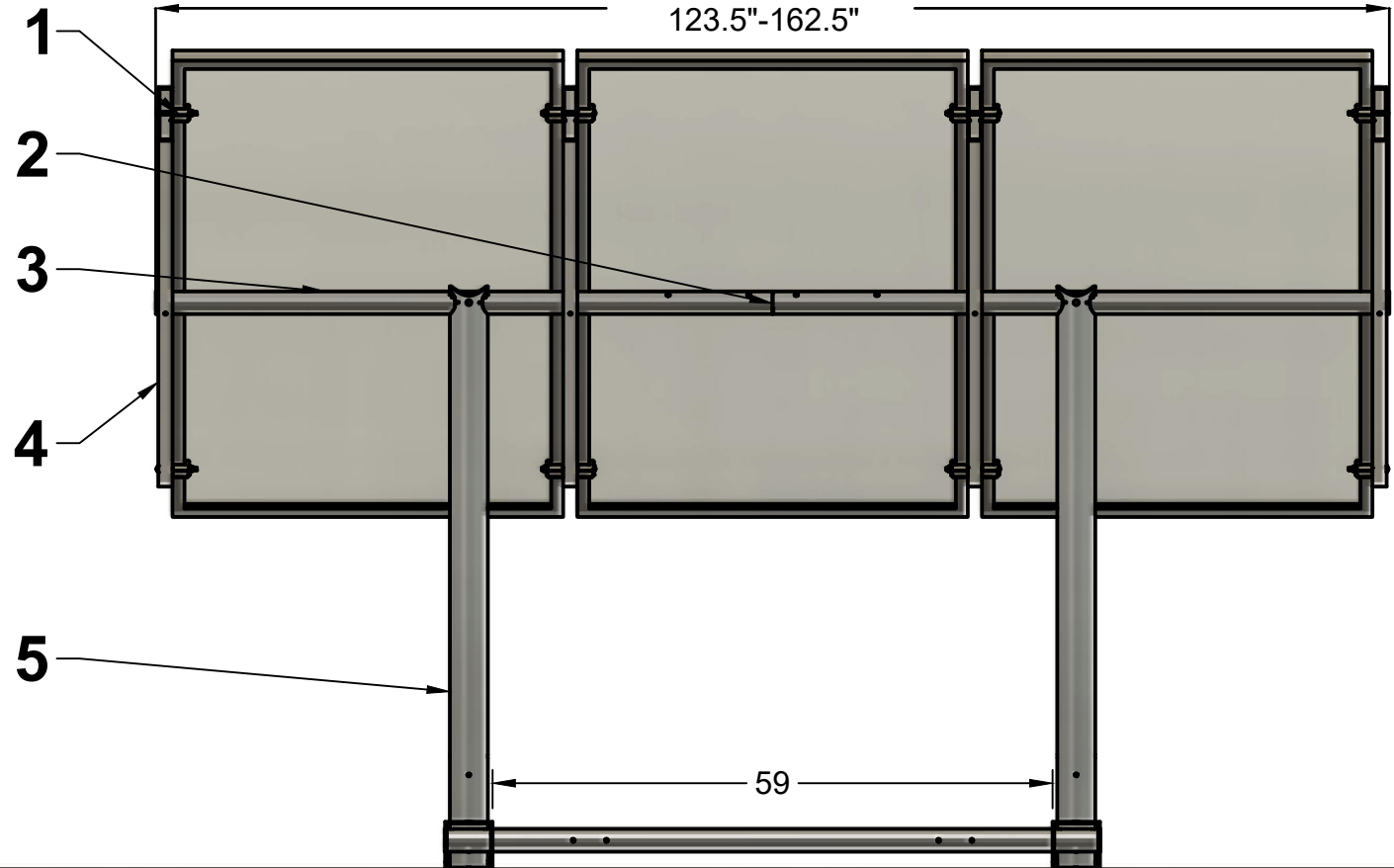
TITLE
IR-G3 w/ Counterweight Base Data Sheet
IR-G3RF1000 (Rack Frame), IR-BFGS0306 (Base Frame)

APPROVED	SIZE	CODE	DWG NO	REV
CHECKED	B			
DRAWN Jeff Glauser 4/5/2024	SCALE 1:50	WEIGHT	SHEET 1/2	

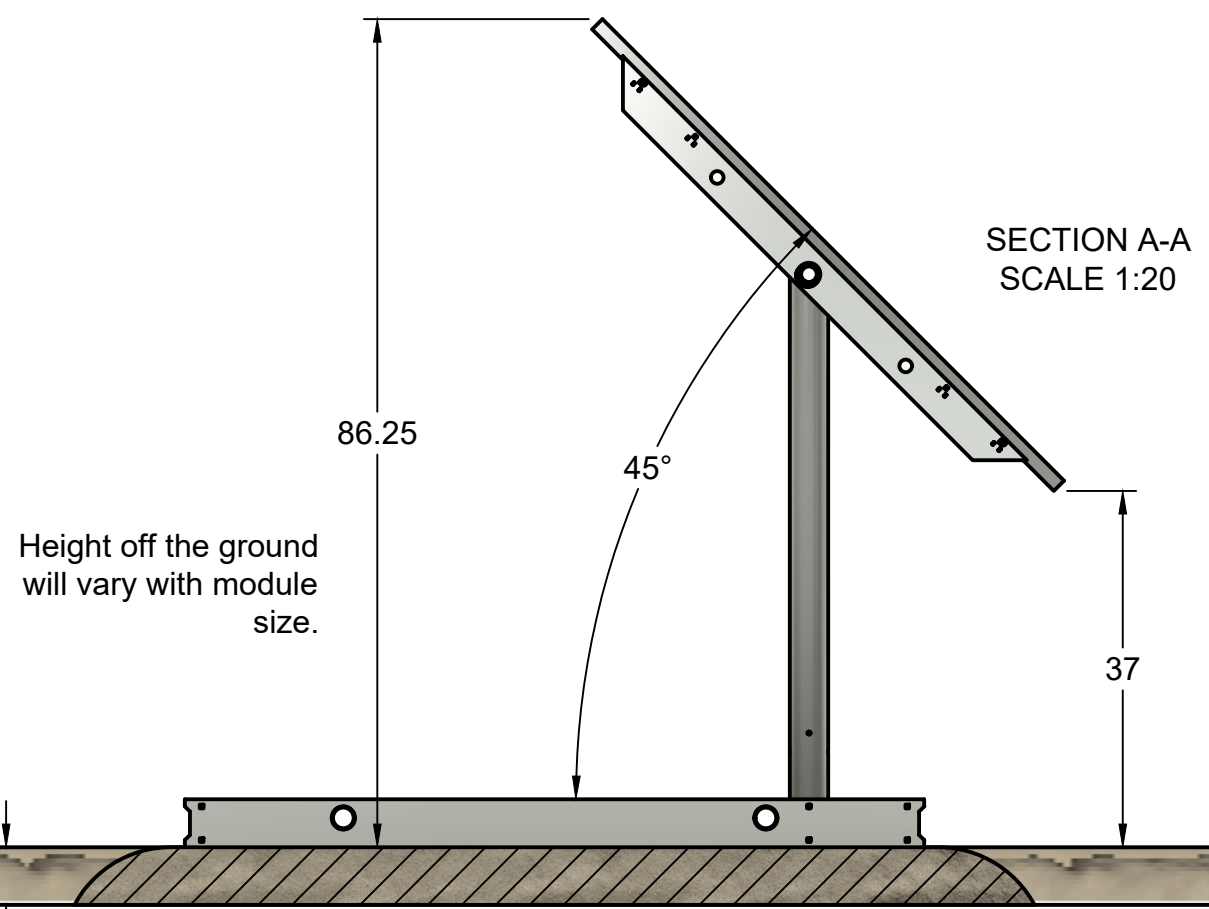


Module Widths 39"-52"

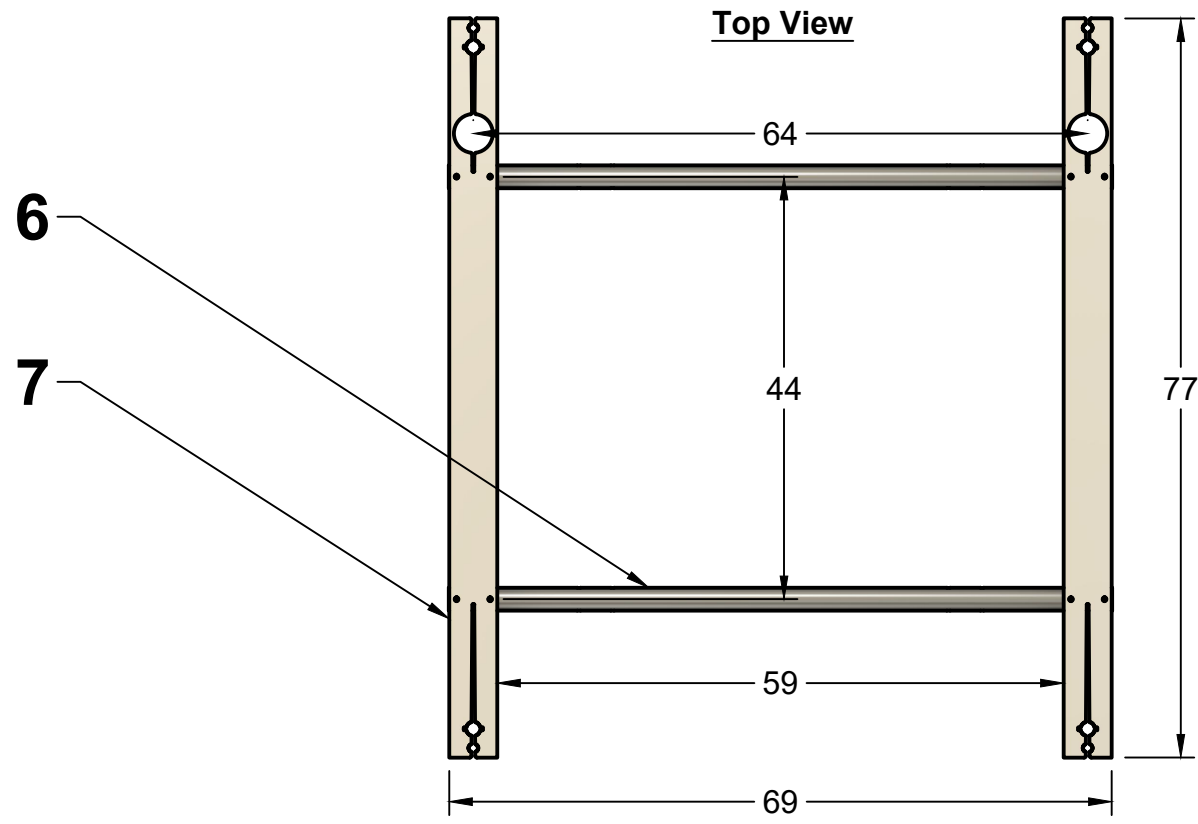
Overall Width
123.5"-162.5"



Dimensions for the Rack Frame will vary based on module size.
(Modules shown are 41.14"x68")



Base Frame
Top View



Parts List	
1	IR-F2FC0500
2	IRP-HCRF0023-T
3	IRP-HPG30000-T
4	IRP-SRRF0117-T
5	IRP-VPRF0461-T
6	IRP-GMBF8500-T
7	IRP-GMBF8000-T

	PROJECT IntegraRack		
	TITLE IR-G3 w/ Counterweight Base Data Sheet		
IR-G3RF1000 (Rack Frame), IR-BFGS0306 (Base Frame)			
APPROVED	SIZE	CODE	DWG NO
CHECKED	B		
DRAWN Jeff Glauser 4/5/2024	SCALE 1:20	WEIGHT	SHEET 2/2