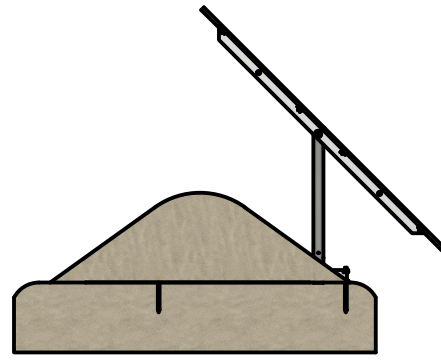
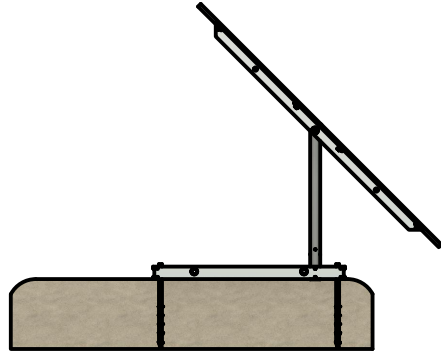


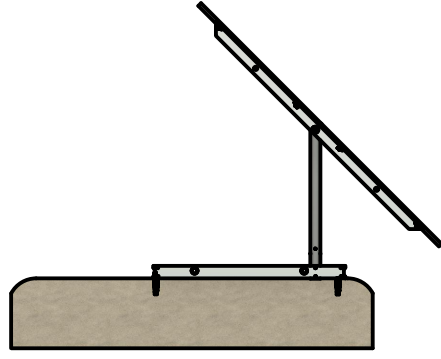
Base Frame Ballasted:
 One 275 gallon water tote ballast required.
 2,400lbs minimum per base frame.
 (No stakes required)



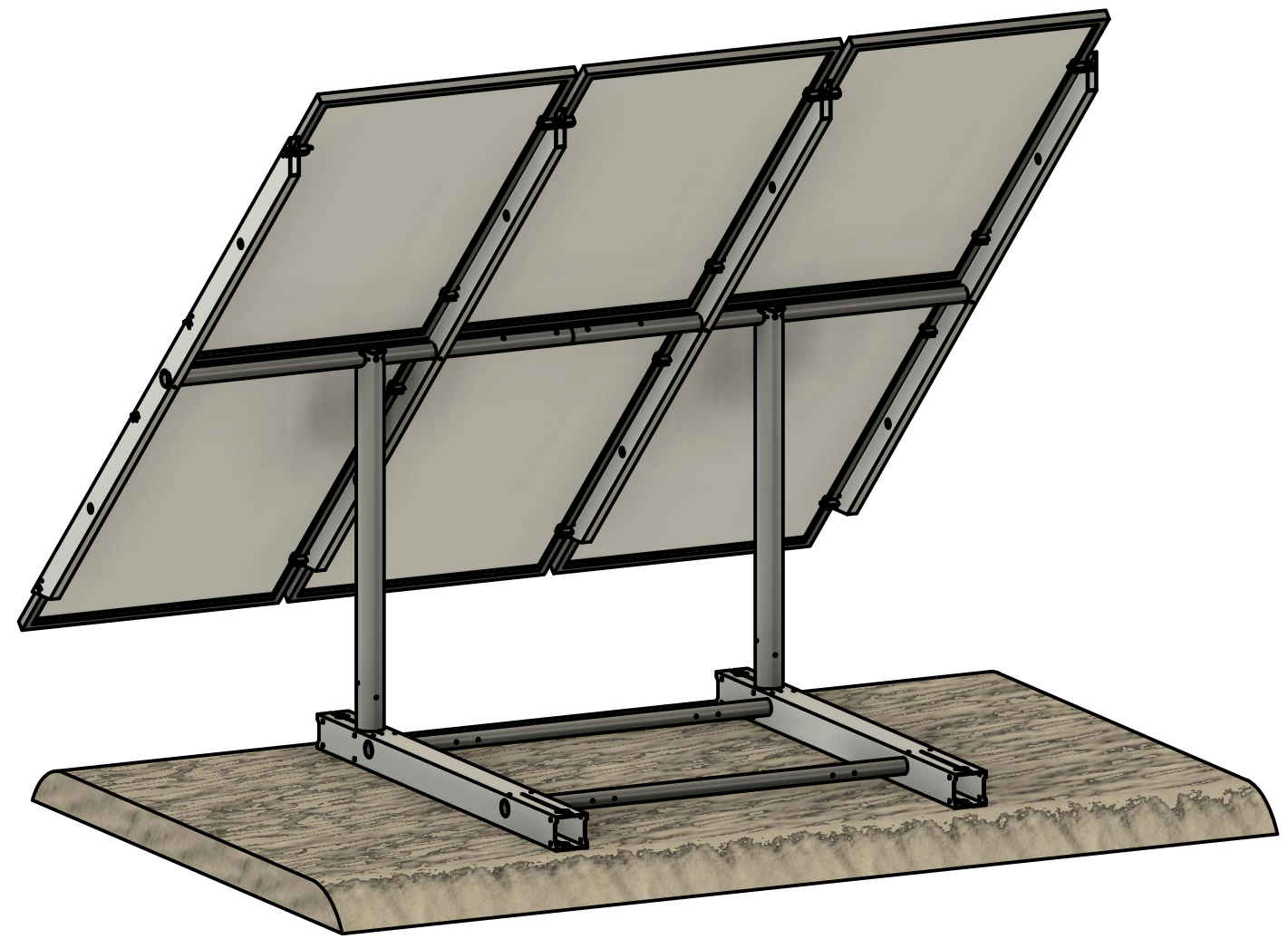
IR EarthBallast™ System:
 36 inch fill to top of mound.
 3,500lbs minimum per base frame.
 (Four 12 inch steel stakes required)



IR AnchorSpike™ System:
 Four AnchorSpikes per base frame.
 Medium/high density compacted soil required.
 (800lb minimum uplift test per AnchorSpike)



Base Frame Bolted:
 Bolted to concrete footing,
 concrete ballast pad, or steel beam.
 (5,500lbs minimum hold down for base frame)



Base Frame Ballasted			IR EarthBallast™ System		
Array Angle	Max Snow Load (lbs/sqft)	Max Wind Speed (MPH)	Array Angle	Max Snow Load (lbs/sqft)	Max Wind Speed (MPH)
15	25	120	15	25	150
30	35	90	30	35	105
45	45	75	45	45	90

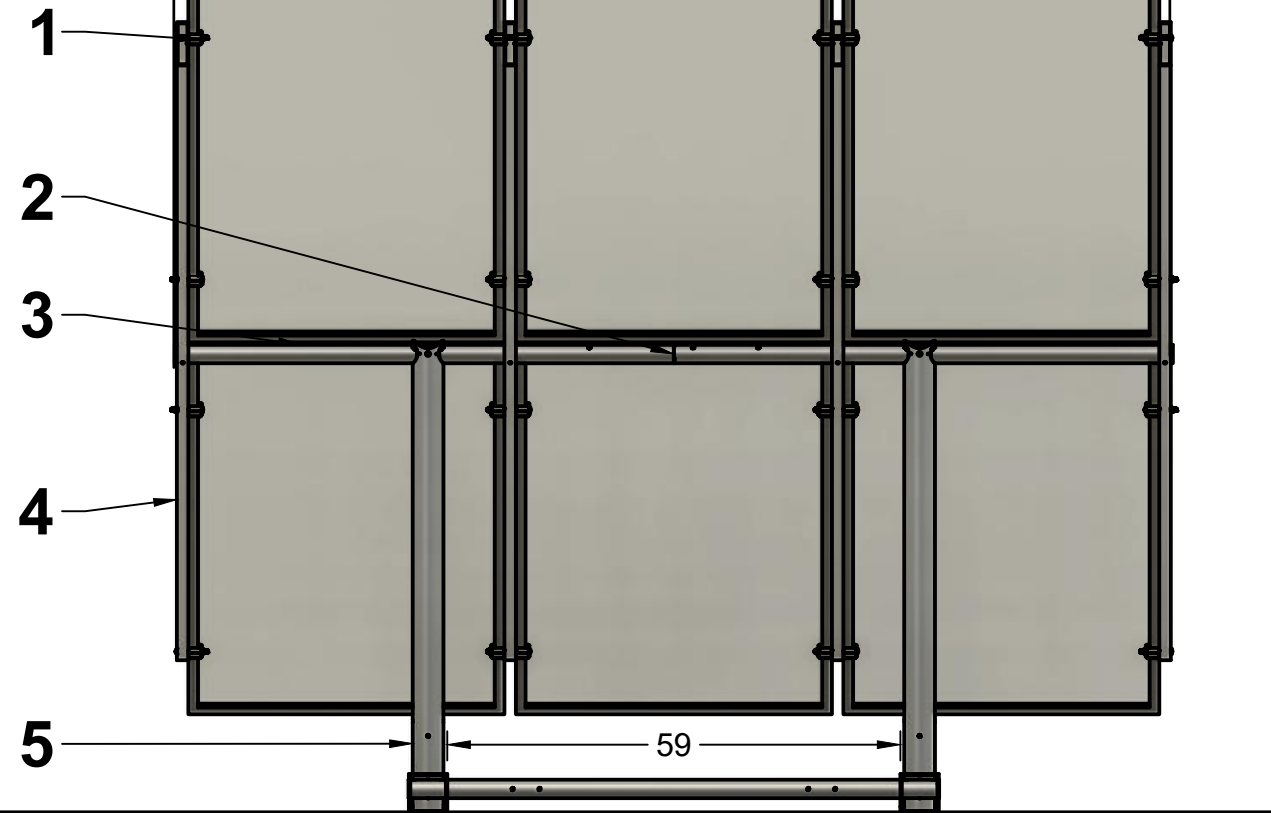
IR-AnchorSpike™ System			Base Frame Bolted		
Array Angle	Max Snow Load (lbs/sqft)	Max Wind Speed (MPH)	Array Angle	Max Snow Load (lbs/sqft)	Max Wind Speed (MPH)
15	25	120	15	25	175
30	35	90	30	35	125
45	45	75	45	45	105



PROJECT				
IntegraRack				
TITLE				
IR-G6 w/ Counterweight Base Data Sheet				
IR-G6RF1000 (Rack Frame), IR-BFGS0306 (Base Frame)				
APPROVED	SIZE	CODE	DWG NO	REV
CHECKED	B			
DRAWN	Jeff Glauser	4/5/2024	SCALE 1:25	WEIGHT
			SHEET 1/2	

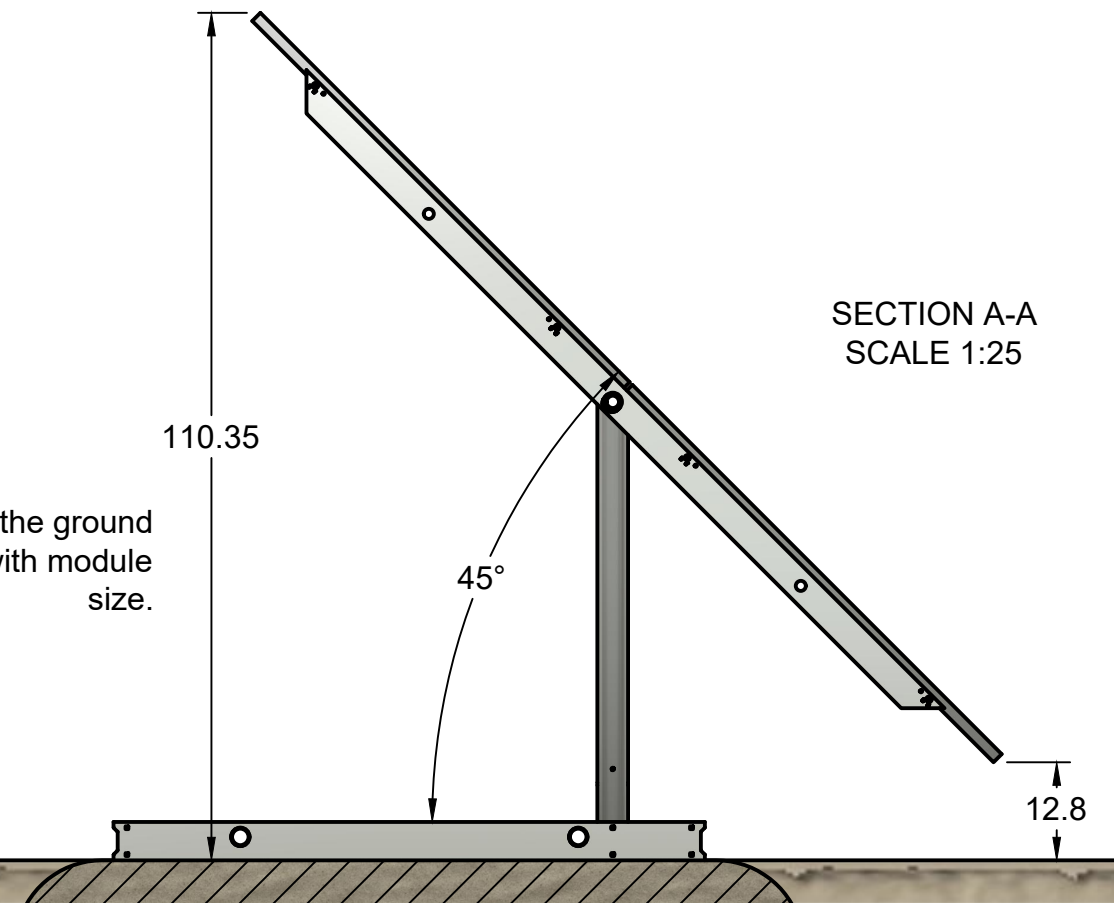
Module Widths 39"-44.5"

Overall Width
123.5"-140"

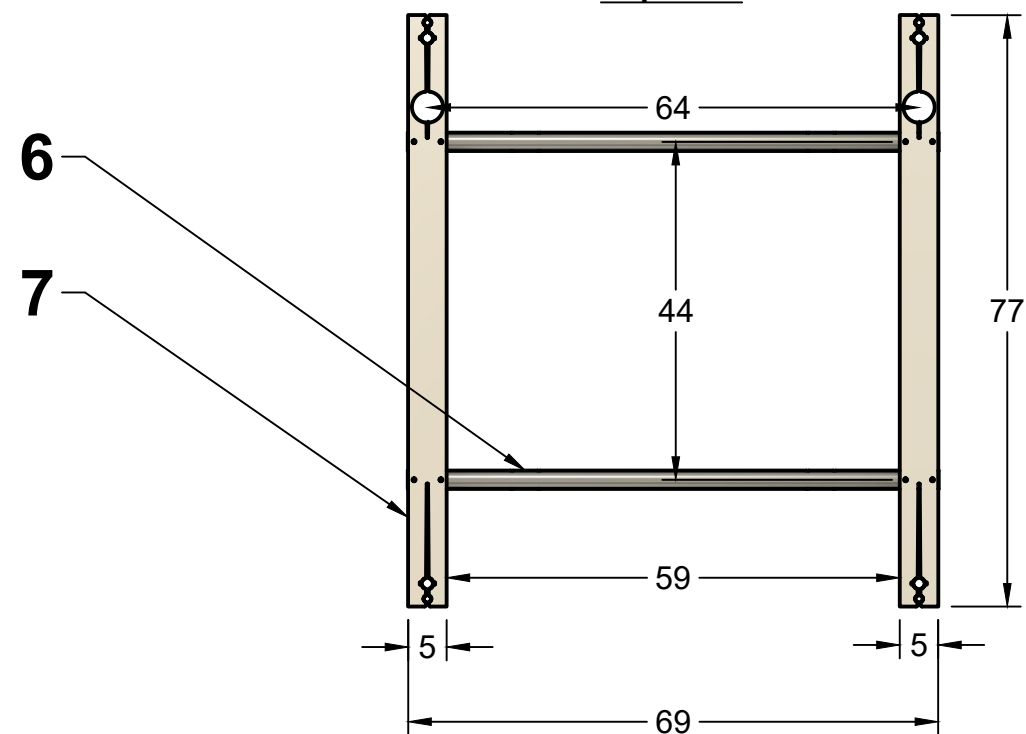


Dimensions for the Rack Frame will vary based on module size.
(Modules shown are 41.14"x68")

Height off the ground will vary with module size.



Base Frame
Top View



6" of Road Base recommended

Parts List

1	IR-F2FC0500
2	IRP-HCRF0023-T
3	IRP-HPG30000-T
4	IRP-DRRF0117-T
5	IRP-VPRF0461-T
6	IRP-GMBF8500-T
7	IRP-GMBF8000-T



PROJECT

IntegraRack

TITLE

IR-G6 w/ Counterweight Base
Data Sheet

IR-G6RF1000 (Rack Frame), IR-BFGS0306 (Base Frame)

APPROVED	SIZE	CODE	DWG NO	REV
CHECKED	B			
DRAWN Jeff Glauser 4/5/2024	SCALE 1:25	WEIGHT	SHEET 2/2	