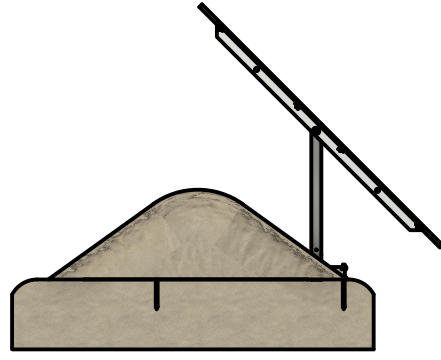
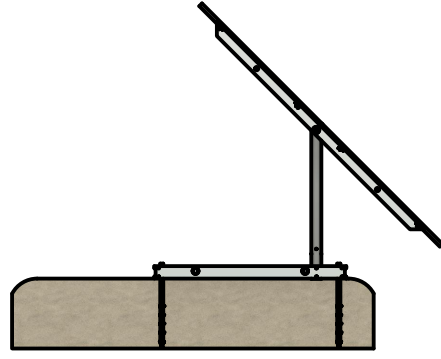


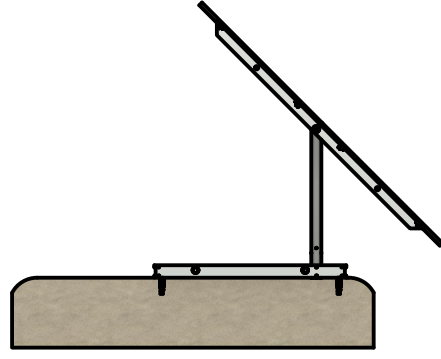
Base Frame Ballasted:
 Two 275 gallon water tote ballasts required.
 4800lbs minimum per base frame.
 (No stakes required)



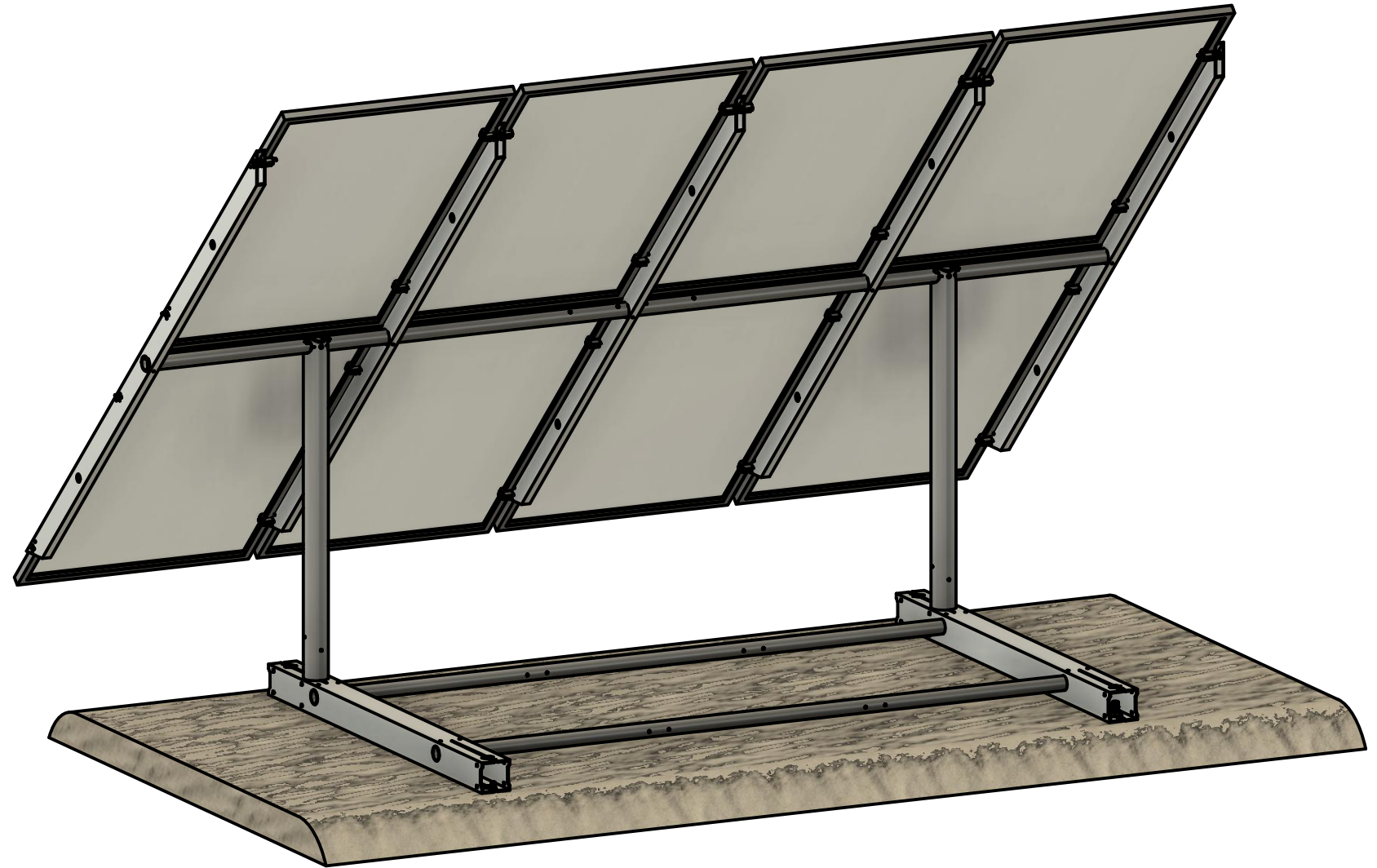
IR EarthBallast™ System:
 24 inch fill to top of mound.
 3,500lbs minimum per base frame.
 (Four 12 inch steel stakes required)



IR AnchorSpike™ System:
 Four AnchorSpikes per base frame
 Medium/high density compacted soil required.
 (800lb minimum uplift test per AnchorSpike)




Base Frame Bolted:
 Bolted to concrete footing,
 concrete ballast pad, or steel beam.
 (3,500lbs minimum hold down for base frame)



Base Frame Ballasted			IR EarthBallast™ System		
Array Angle	Max Snow Load (lbs/sqft)	Max Wind Speed (MPH)	Array Angle	Max Snow Load (lbs/sqft)	Max Wind Speed (MPH)
15	15	150	15	15	125
30	20	110	30	20	90
45	25	90	45	25	75

IR-AnchorSpike™ System			Base Frame Bolted		
Array Angle	Max Snow Load (lbs/sqft)	Max Wind Speed (MPH)	Array Angle	Max Snow Load (lbs/sqft)	Max Wind Speed (MPH)
15	15	110	15	15	125
30	20	80	30	20	90
45	25	65	45	25	75



PROJECT
IntegraRack

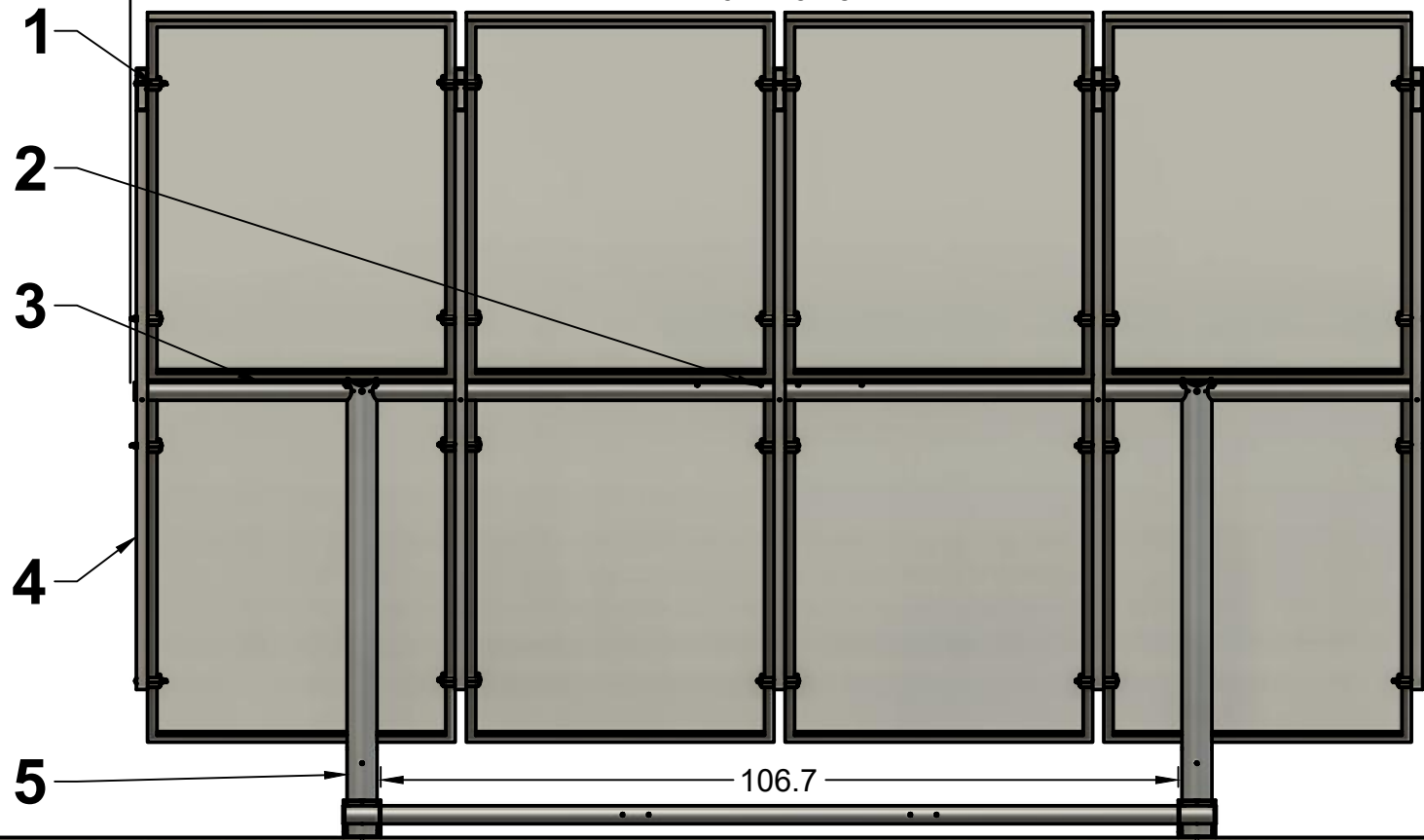
TITLE
IR-G8 w/ Counterweight Base Data Sheet

IR-G8RF1000 (Rack Frame), IR-BFGS0408 (Base Frame)

APPROVED	SIZE	CODE	DWG NO	REV
CHECKED	B			
DRAWN	Jeff Glauser	4/5/2024	SCALE 1:25	WEIGHT SHEET 1/2

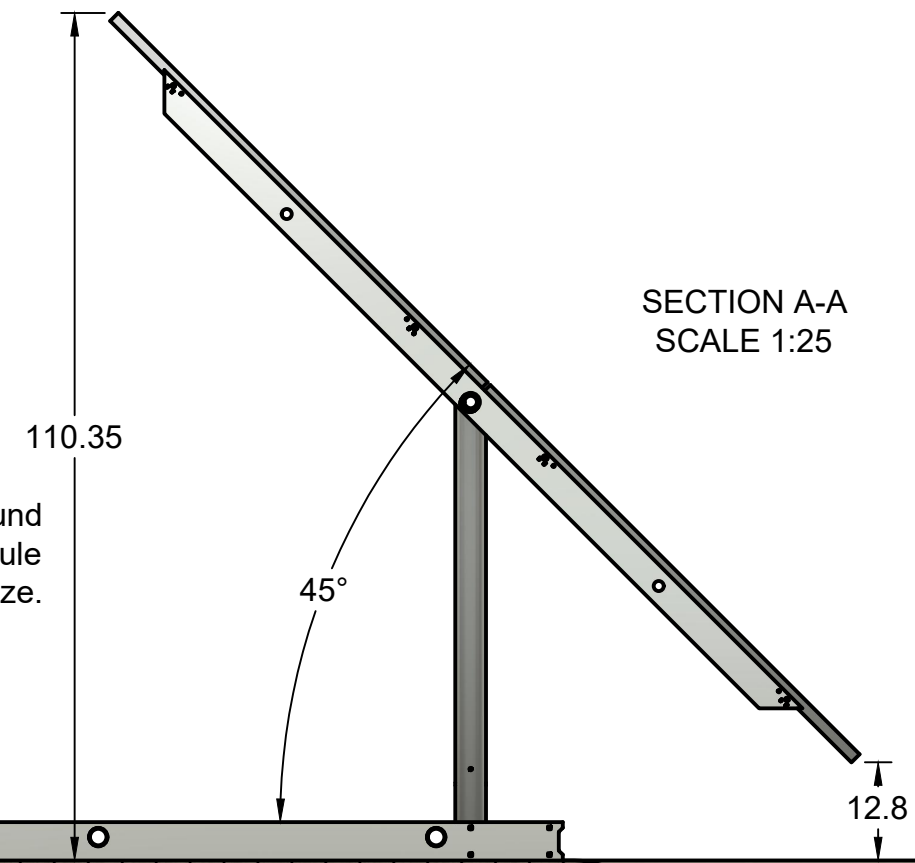
Module Widths 39"-44.5"

Overall Width
164"-191.5"



Dimensions for the Rack Frame will vary based on module size.
(Modules shown are 41.14"x68")

A



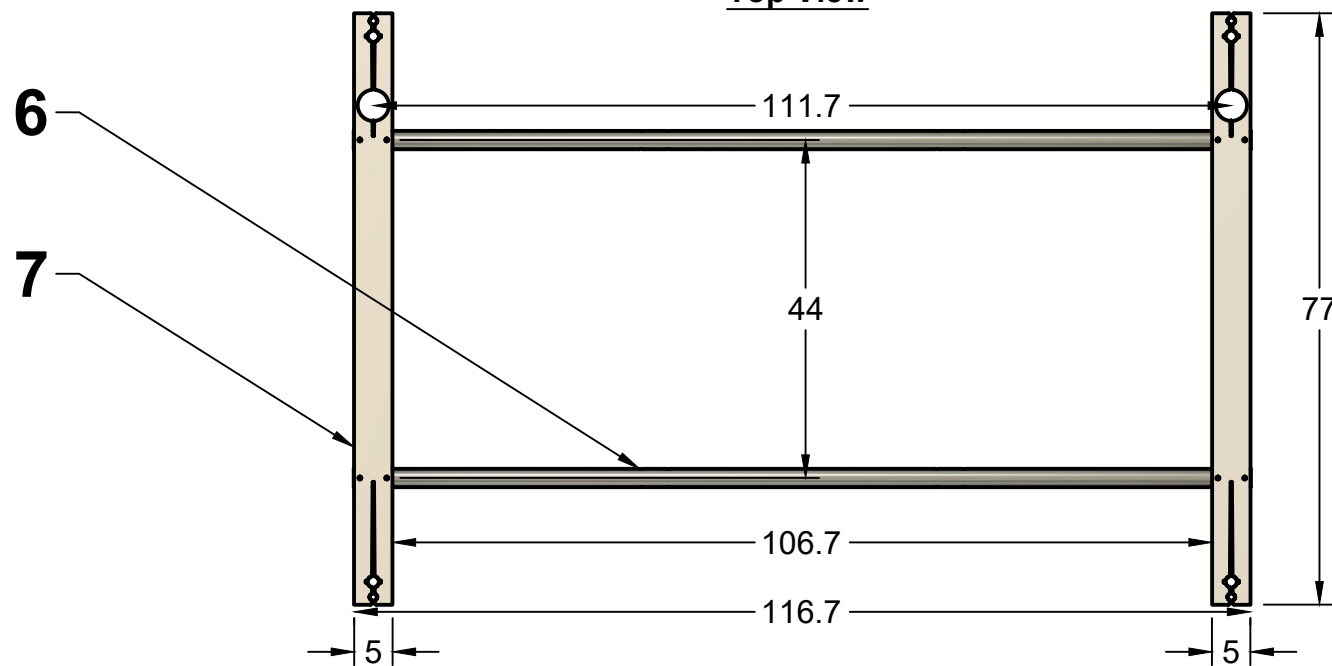
SECTION A-A
SCALE 1:25

Height off the ground will vary with module size.

A

6" of Road Base recommended

Base Frame
Top View



Parts List

1	IR-F2FC0500
2	IRP-HCRF0023-T
3	IRP-HPG40000-T
4	IRP-DRRF0117-T
5	IRP-VPRF0461-T
6	IRP-GMBF8600-T
7	IRP-GMBF8000-T



PROJECT

IntegraRack

TITLE

IR-G8 w/ Counterweight Base
Data Sheet

IR-G8RF1000 (Rack Frame), IR-BFGS0408 (Base Frame)

APPROVED	SIZE	CODE	DWG NO	REV
CHECKED	B			
DRAWN Jeff Glauser 4/5/2024	SCALE 1:25	WEIGHT	SHEET 2/2	