

INTEGRARACK®

Revolutionary Solar Racking Systems



BallastRack Install Instructions

(IR-15,30,45,40FSAA,40FSAB, 40FSAC)

Contents

Warranty & Disclaimer	2
BallastRack Models & Mounting Options	3
Included Components & Required Tools	4
Mounting Kit Components & Required Tools	5
Assembly & Fastener Locations	6
Site Preparation & Row Spacing	7
Frame Assembly	8
Frame Spacing	9
IR EarthBallast™ Installation	10
IR EarthScrew™ Installation	13
IR AnchorSpike™ Installation	16
IR SlabBallast™ Installation	19
Base Ballast Installation	20
IR-15 - Setting The 0° Sun Angle	21
IR-40FSAA, 40FSAB, 40FSAC - Adjusting The Sun Angle	22
Installing Solar Modules	23
Electrical Bonding & Grounding	24



IntegraRack® backs all of its products with a 25 year limited product warranty. We fully stand by the quality and guarantee that they will hold up under the harshest conditions when properly installed.

Disclaimer

The instructions detailed in this manual will provide the knowledge and requirements necessary for proper installation of the given product. Be sure to read them thoroughly and make sure that you fully understand them before proceeding with installation. Any improper use or installation of these products will void any and all warranty coverage, and may cause failure, property damage or personal injury. IntegraRack is not responsible for any damages caused by improper use.

IT IS THE RESPONSIBILITY OF THE INSTALLER TO:

- Comply with any and all applicable local or national codes and regulations.
- Ensure all products are appropriate for the installation according to the environmental and loading conditions.
- The installation methods shown in this manual are tested and approved for use by IntegraRack. Any other method for mounting will void the manufacturer warranty.
- Ensure ground at installation site is level and suitable for the desired mounting.
- Disconnect AC power before servicing or removing modules, micro-inverters or power optimizers.
- Review manufacturer's documentation for compatibility and compliance for solar modules and 3rd party systems.
- If loose components or loose fasteners are found during periodic inspection, re-tighten immediately. Any components showing signs of corrosion or damage that compromise safety shall be replaced immediately.
- Provide an appropriate method of direct-to-earth grounding according to the latest edition of the National Electrical Code, including NEC 250: Grounding and Bonding, and NEC 690: Solar Photovoltaic Systems.
- Ensure safe installation of all electrical aspects of the solar system (All electrical installation and procedures should be conducted by a licensed and bonded electrician or solar contractor). Regular maintenance of a module or panel shall not involve breaking or disturbing the bonding path of the system. All work must comply with national, state and local installation procedures, product and safety standards.
- Ensure bare copper grounding wire does not contact aluminum and zinc-plated steel components, to prevent risk of galvanic corrosion.
- Ensure provided information is accurate. Issues resulting from inaccurate information are the installer's responsibility.

IR BallastRack Models

Fixed Sun Angle



IR-15 BallastRack™ Solar Racking System

Part Number: IR-15RF1015 Price: \$119.99

The IR-15 offers a fixed 15° sun angle for optimal year-round energy production in equatorial regions such as Florida, Southern Texas and most tropical islands. This system can be adjusted to 0° in the case of an impending hurricane. See page 22 for angle adjustment



IR-30 BallastRack™ Solar Racking System

Part Number: IR-30RF1030 Price: \$129.99

The IR-30 offers a fixed 30° sun angle for optimal year-round energy production throughout most of the continental United States.



IR-45 BallastRack™ Solar Racking System

Part Number: IR-45RF1045 Price: \$144.99

The IR-45 offers a fixed 45° sun angle for optimal year-round energy production throughout most of the northern United States and Canada with a great angle for snow shedding.

Fixed Adjustable Sun Angle



IR-40FSAA BallastRack™ Solar Racking System

Part Number: IR-40FSAA0041 Price: \$139.99

The IR-40FSAA is made from aircraft grade aluminum and can be adjusted from 15-40° in 2.5° increments to achieve the optimal year-round sun angle in almost any region.

* Not intended for seasonal adjustment
* Not interchangeable with the IR-35A BallastRack
See page 23 for angle adjustment



IR-40FSAB BallastRack™ Solar Racking System

Part Number: IR-40FSAB0040 Price: \$129.99

The IR-40FSAB is constructed from high-strength steel and electroplated with black zinc for maximum corrosion resistance. This system can be adjusted from 15-40° in 2.5° increments to achieve the optimal year-round sun angle in almost any region with an extra 8 inches of ground clearance.

* Not intended for seasonal adjustment
* Not interchangeable with the IR-35A BallastRack
See page 23 for angle adjustment



IR-40FSAC BallastRack™ Solar Racking System

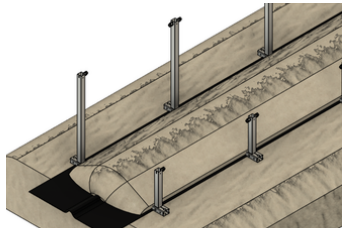
Part Number: IR-40FSAC0042 Price: \$99.99

The IR-40FSAC is made from a strong black composite and can be adjusted from 15-40° in 2.5° increments to achieve the optimal year-round sun angle in almost any region with an extra 8 inches of ground clearance.

* Not intended for seasonal adjustment
* Not interchangeable with the IR-35A BallastRack
See page 23 for angle adjustment

Mounting Options

IntegraRack® Mounting Kit Options



IR EarthBallast™ Kit

Part Number: IR-RFEB1071

Price: \$89.99

Our IR EarthBallast™ Kit comes with pre-cut rolls of strong Geotextile made for retaining walls and a high-strength fast setting epoxy to hold the Geotextile to the frames. This creates a large surface area to hold the dirt mound. See [Stamped Engineering & Datasheets](#) for your specific frame model to determine how much weight is needed per module section.

* 3/4" round concrete forming steel stakes are recommended

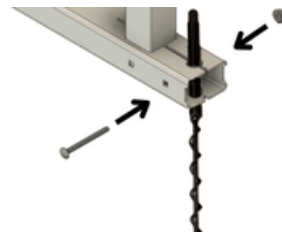


IR SlabBallast™ Kit

Part Number: IR-RFCB1074

Price: \$59.99

Our IR SlabBallast™ Mounting Kit provides (22) concrete anchor bolts and (44) washers for the strongest possible mounting, and allows for easy installation of up to 10 solar modules. The frames can be direct bolted to pre-cast concrete footings or most existing concrete surfaces, such as patios and driveways (local site specific engineering required).



IR EarthScrew™ Kit

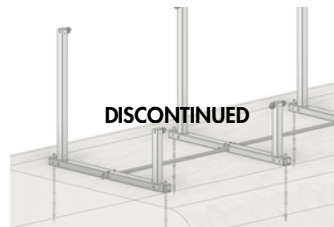
Part Number: IR-RFES3075

Price: \$129.99

Our IR EarthScrew™ Kit comes with specially designed 30" screws. Each IR EarthScrew Kit includes ten screws to install up to five frames. This kit provides fast and easy installation and leveling in almost any terrain with incredible strength.

* The IR EarthScrew is not recommended for silt/sand or rocky terrain, only dense compacted soil types.

* Each IR EarthScrew must be tested in soil at installation site to ensure they can withstand a minimum of 1,000 pounds of uplift.



IR AnchorSpike™ Kit

10 Pack

Part Number: IR-RFAS0472

Price: \$144.99

22 Pack

Part Number: IR-RFAS1073

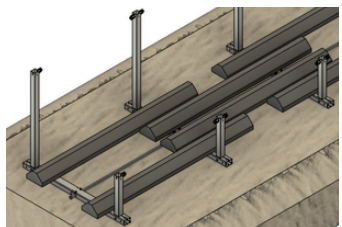
Price: \$299.99

Our IR AnchorSpike™ Kit comes with specially designed 30" barbed aluminum spikes, which have a hollow structure to allow our super strong two-part epoxy to flow deep into the soil and allows for fast and easy leveling of the system.

* The IR AnchorSpike is not recommended for silt/sand or rocky terrain, only dense compacted soil types.

* Each IR AnchorSpike must be tested in the soil at installation site to ensure they can withstand a minimum of 1,000 pounds of uplift.

Alternate Mounting Options



Base Ballast Mounting

Each BallastRack frame can be mounted using concrete curb stops, blocks, or sand bags for temporary or permanent mounting of solar modules.

* See [Stamped Engineering & Datasheets](#) for your specific frame model to determine how much weight is needed per module section.

* Ballast can be sourced locally (more info on Page 21).

* 3/4" round concrete forming steel stakes are required

See our [Stamped Engineering & Datasheets](#) for product specific wind and snow load ratings

Included Components

IR-15 Included Components (Per Frame)

- (1) IR-15 Base Tube
- (1) IR-15 Short Leg
- (1) IR-15 Long Leg
- (4) IR-F2 Flange Clamp Bonding Brackets
- (4) Bolt As
- (4) Nut As
- (4) Bolt Bs

IR-30 Included Components (Per Frame)

- (1) IR-30 Base Tube
- (1) IR-30 Short Leg
- (1) IR-30 Long Leg
- (4) IR-F2 Flange Clamp Bonding Brackets
- (4) Bolt As
- (4) Nut As
- (4) Bolt Bs

IR-45 Included Components (Per Frame)

- (1) IR-45 Base Tube
- (1) IR-45 Short Leg
- (1) IR-45 Long Leg
- (4) IR-F2 Flange Clamp Bonding Brackets
- (4) Bolt As
- (4) Nut As
- (4) Bolt Bs

IR-40FSAA Included Components (Per Frame)

- (1) IR-40FSAA Base Tube
- (1) IR-40FSAA Short Leg
- (1) IR-40FSAA Adjustable Long Leg
- (4) IR-F2 Flange Clamp Bonding Brackets
- (4) Bolt As
- (4) Nut As
- (4) Bolt Bs

IR-40FSAB Included Components (Per Frame)

- (1) IR-40FSAB Base Tube
- (1) IR-40FSAB Short Leg
- (1) IR-40FSAB Adjustable Long Leg
- (4) IR-F2 Flange Clamp Bonding Brackets
- (4) Bolt As
- (4) Nut As
- (4) Bolt Bs



IR-F2 Solar Module Flange
Clamp Bonding Bracket



Bolt A



Bolt B



Nut A

Required Tools

- Screw Gun with 1/2" Socket (**DO NOT USE AN IMPACT GUN**)
- Small 1/2" / 13mm Wrench (**NOT INCLUDED WITH BALLASTRAK FRAMES**)
- Cut-Resistant Work Gloves
- 4' Level
- Tape Measure
- String Line
- 3/4" Round Concrete Forming Stakes (**OPTIONAL**)

Required Additional Materials

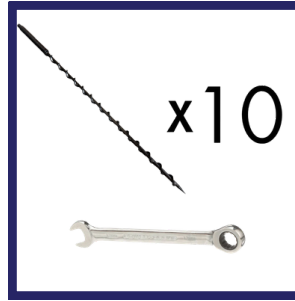
- 1" EMT (Electrical Metal Tubing) / Conduit Pipe (Can be sourced at most local hardware stores; **NOT** required for concrete mounting)
- IlSCO SGB-4 Dual Rated Solar Grounding Lug

Mounting Kit Components



IR EarthBallast Kit

- Quick Cure 15 Epoxy Resin
- Extra Mixing Nozzle
- 3' x 50' Roll of Geotextile Material
- Alcohol Wipes
- Scuff Sponge
- 13mm Ratchet Wrench (For BallastRack Assembly)



IR EarthScrew Kit

- (10) IR EarthScrews
- 13mm Ratchet Wrench (For BallastRack Assembly)



IR AnchorSpike Kit

- (10/22) IR AnchorSpikes
- Epoxy Resin A
- Epoxy Resin B
- Mixing Cup
- 3oz Measuring Cups
- Stirring Stick
- Funnel
- Gloves
- 13mm Ratchet Wrench (For BallastRack Assembly)



IR AnchorBolt Kit

- (22) 3/8" Concrete Anchor Bolts
- (44) Washers
- (2) 3/8" Concrete Drill Bits
- 13mm Ratchet Wrench (For BallastRack Assembly)

Additional Tools Required For Mounting Kits

IR EarthBallast Kit

- Caulk Gun
- Shovel

OPTIONAL

- Skid-Steer Loader
- 3/4" Round Concrete Forming Steel Stakes

IR EarthScrew Kit

- Powerful 3/8" Drive Impact Wrench Gun or Standard 1/2" Drive Impact Wrench Gun
- 14mm Socket
- Dirt Tamper

OPTIONAL

- SDS Max Hammer Drill
- 1x30" SDS Concrete Drill Bit
- Portland Cement Powder
- Eggbeater Style Cement Mixer
- 12-3/4 x 23-1/4" Vinyl Grout Bags
- Funnel

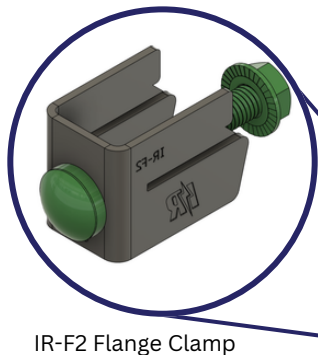
IR AnchorSpike Kit

- Small Sledge Hammer
- SDS Plus Hammer Drill
- 3/4" x 30" SDS Concrete Drill Bit

IR SlabBallast Kit

- SDS Plus Hammer Drill
- 9/16" (14mm) Deep Socket
- Line Chalk

Assembly & Fastener Locations

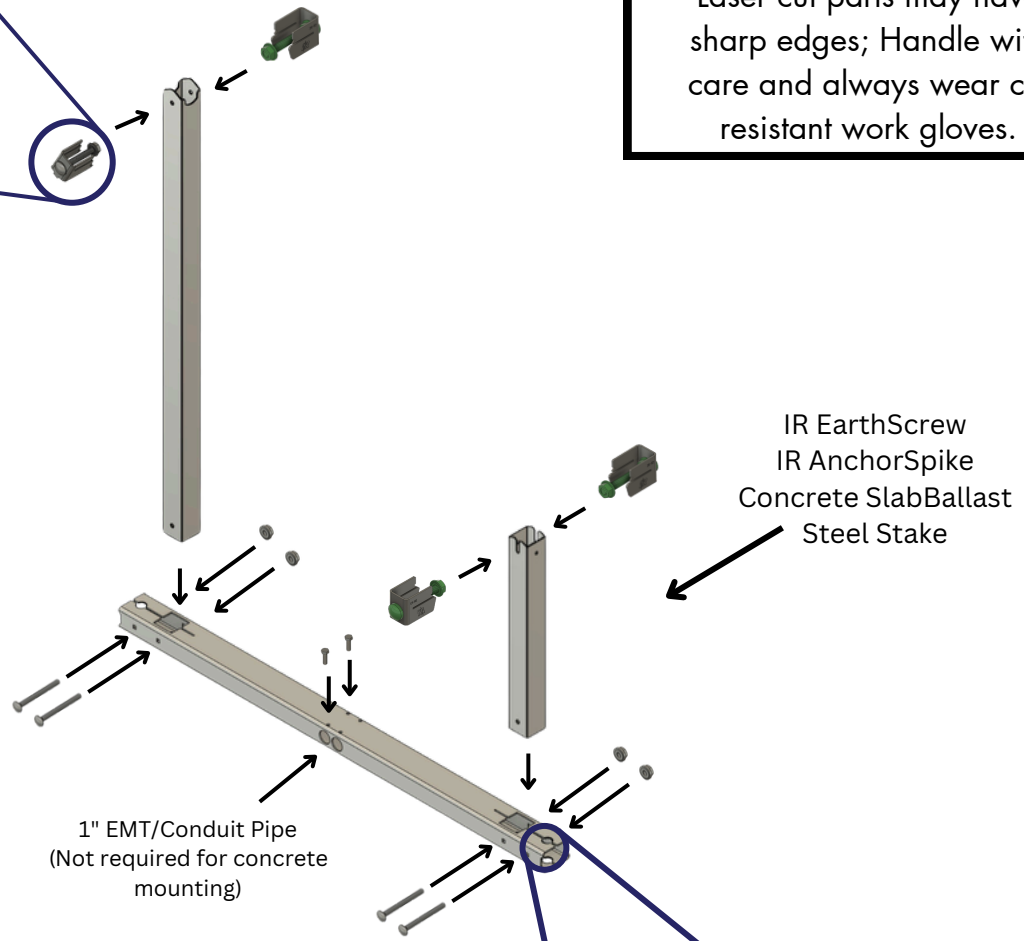


IR-F2 Flange Clamp
Bonding Bracket

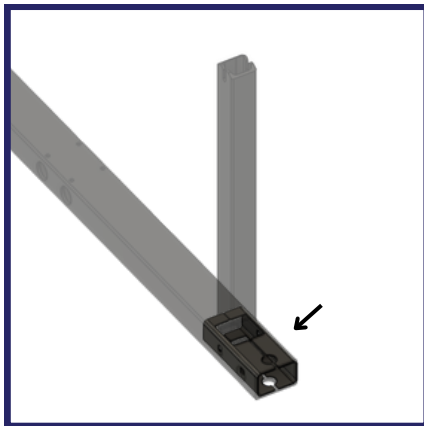


CAUTION:

Laser cut parts may have sharp edges; Handle with care and always wear cut resistant work gloves.

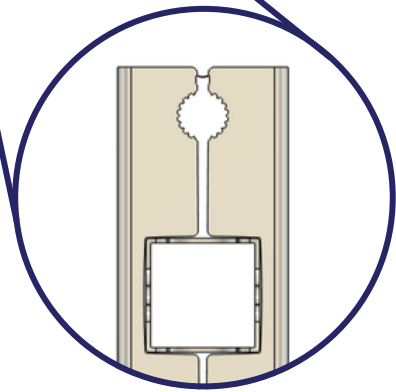


***IR-30 Model Shown**



Clamping Teeth (IR-40FSAC)

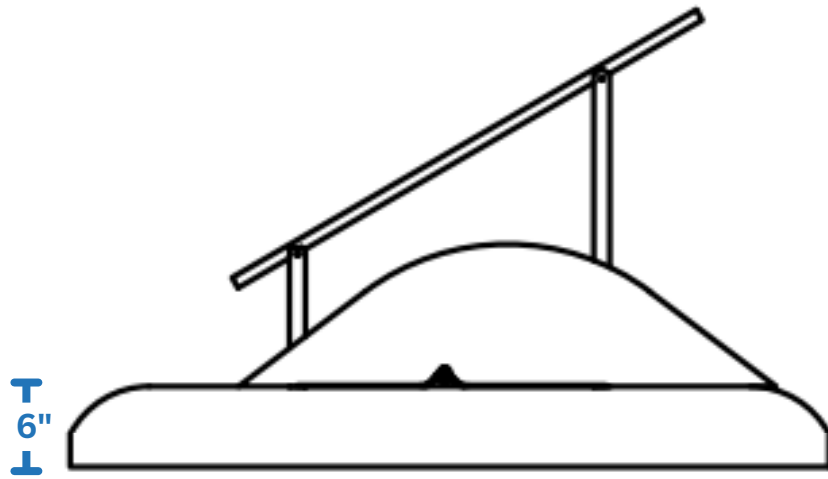
The clamping component of the IR-40FSAC Base Tube is hidden inside of the composite tube, but operates in the same fashion as the other BallastRack models.



Clamping Teeth

When the end clamp of the base tube is tightened, the clamping teeth bite into the anchor (IR AnchorSpike, IR EarthScrew, Steel Stakes, etc.) to lock the height of the system for easy leveling.

Site Preparation



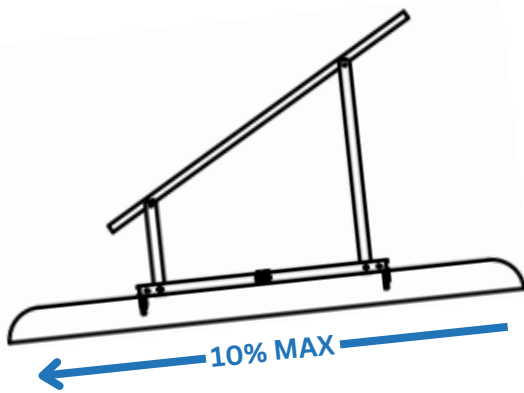
Leveling The Ground

Ensure that the ground at the installation site is as level as possible prior to installation of your BallastRack frames. It is recommended to bring in 6" of extra soil to compact such as road base type material to increase the ground clearance under your solar panels. This elevated pad should be 4.5 - 5' wide for the entire length of the solar array section.

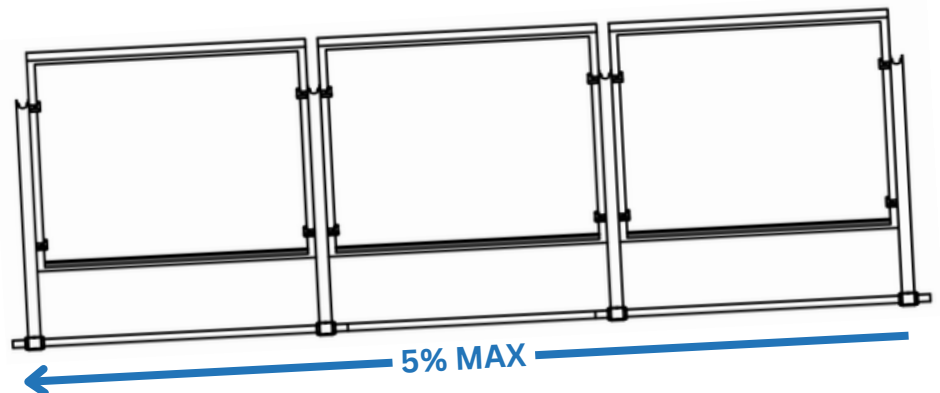
Ensure that the ground at installation site is as level as possible prior to installation.

Maximum Slope

North/South



East/West



Row Spacing

Row spacing can vary substantially based on terrain elevation, solar panel size being utilized, and the region of the world where the solar array is being installed. Please check with a local solar designer to calculate the exact space needed from row to row.

IMPORTANT

- The following instructions can be used for assembly and installation of the IR-15, IR-30, IR-45, IR-40FSAA, and IR-40FSAB. Please see **Page 22** for angle adjustment of the IR-15 and **Page 23** for angle adjustment of the IR-40FSAA / IR-40FSAB. All of these systems will simply be referred to as “frames”.
- We recommend installing the IR-15 long leg with the opening facing the rear of the frame for easier access. See **Page 22** for more details.

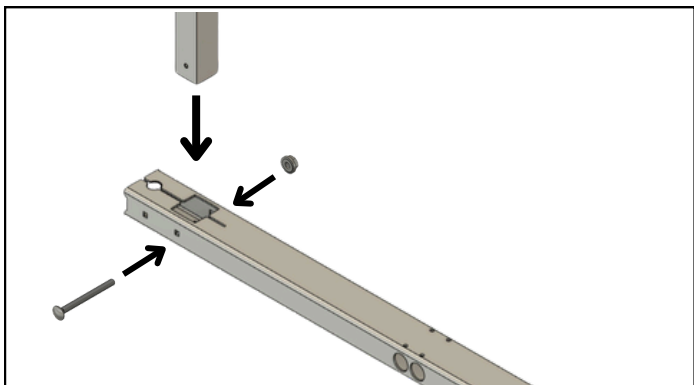


Figure 1

1. Install The Long Leg

Insert the long leg into the square opening at the back of the base tube and make sure the bottom of the adjustable arm is pointed towards the front of the base tube. Use a single Bolt A and Nut A to lock it in place.

***Leg retention bolts require 15-20 ft lbs of torque**

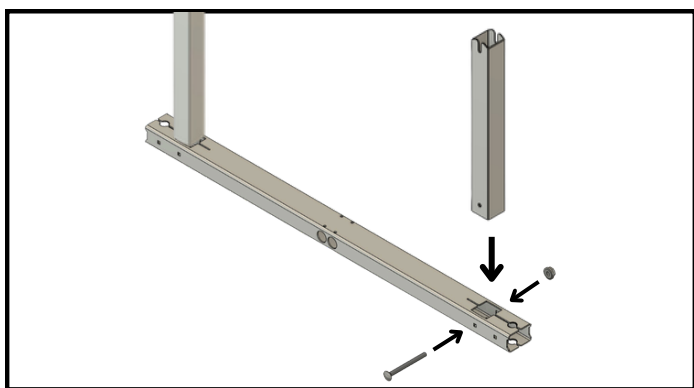


Figure 2

2. Install The Short Leg

Use the same process to install the short leg, making sure that the holes for the solar panel clamps are facing the sides of the base tube.

Repeat Steps 1 & 2 until all frames are assembled.

***Leg retention bolts require 15-20 ft lbs of torque**

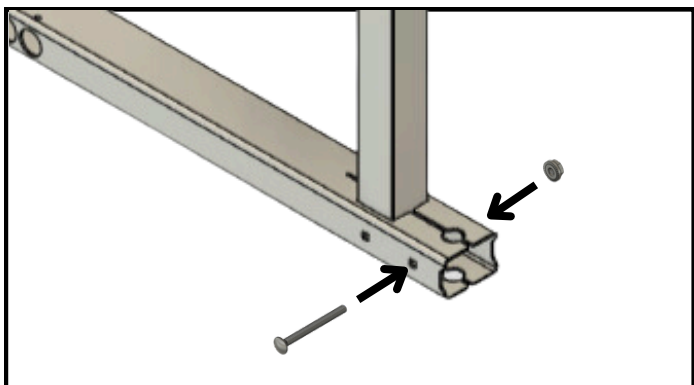


Figure 3

FOR DIRECT BOLTED INSTALL ONLY

If you are direct bolting your system to concrete, use the remaining Bolt As to clamp the ends of each base tube (See Figure 3) and skip to **Page 20** for installation.

***Do NOT overtighten bolts**

***End clamp bolts require 15-20 ft lbs of torque**

⚠ IMPORTANT

- If direct bolting this system to a concrete surface or otherwise, skip to **Page 20**.
- Make sure to measure the space in between the base tubes and not in between the legs for frame spacing. Always measure along the conduit pipe for accurate spacing.
- Screw gun is required for self threading Bolt Bs. Be careful not to strip the bolts and only loosen them again if necessary.

SPACE BETWEEN FRAMES

IR-15,30,45,40FSAA

(Solar Panel Width) minus 1"

IR-40FSAB

(Solar Panel Width) minus 3/4"

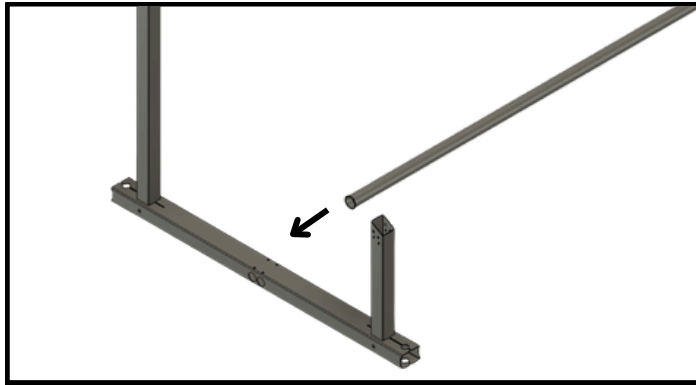


Figure 4

3. Insert 1" EMT/Conduit Pipe

Once all frames are assembled, place one at the start of the row and insert the conduit pipe into one of the openings in the side of the base tube (See Figure 4). Slide the pipe all the way through, but leave at least 2" extra on each end of the system.

1" conduit pipe NOT required for concrete mounting

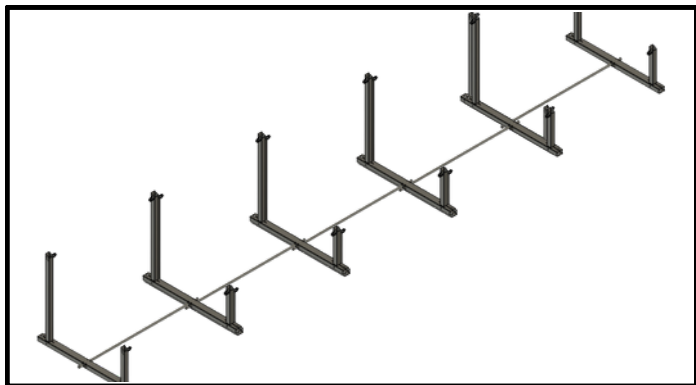


Figure 5

4. Spacing Frames Apart

Slide the next frame along the conduit pipe and space them roughly where they will need to be according to your solar module's width (make sure the conduit pipe goes through the same opening on each frame). Once the end of the first conduit pipe is reached, insert the next conduit pipe through the other opening on the last frame (See Figure 6). Repeat this until all frames are connect by the conduit pipes and are spaced roughly to your solar module's width.

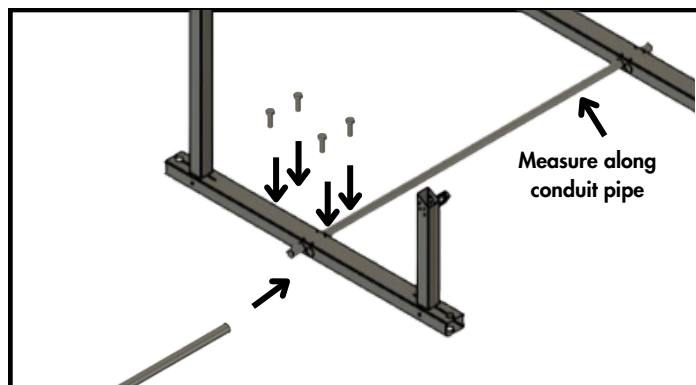


Figure 6

5. Lock Frames In Place

The frames must be spaced the width of your solar panel minus 1" (IR-40FSAB: solar panel width minus 3/4"). Be sure to measure in between the base tubes along the conduit pipe for most accurate spacing. Slide the frames along the conduit pipe and use a screw gun to insert all Bolt Bs into the top of base tubes to lock frames in position. Only two bolts are required per frame except for frames that are connected to two conduit pipes, which require four Bolt Bs (See Figure 6). *No cutting or coupling of the conduit pipe is required.*

Leveling Frames

⚠ IMPORTANT

- Even when placing frames on pre-leveled ground, there can still be some irregularities in the frame system. Before leveling the system, it is important to make sure that all frames are lined up in straight rows using a string line.
- After lining up the frames, stakes can be hammered in place at the front and back of each frame. Stakes are optional, but recommended to keep system in line and for assisting with leveling the frames.

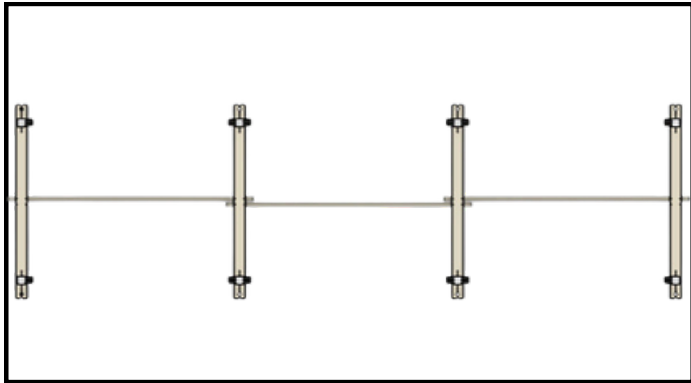


Figure 7

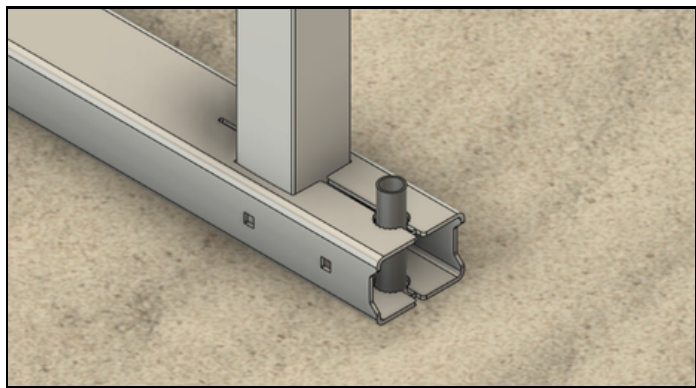


Figure 8

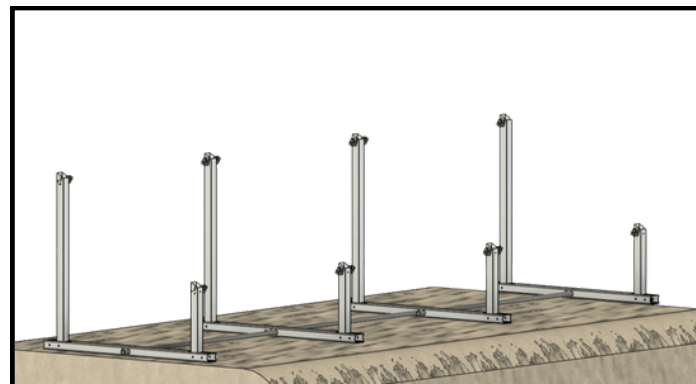


Figure 9

BALLAST WEIGHT REQUIREMENTS

To see the specific weight requirements for your chosen BallastRack Model, view our [Stamped Engineering & Datasheets](#)

1. Line Up The Frames

Run a string line from the long leg of the first frame, stretch it along the frame system to the long leg of the last frame. Adjust the system as necessary until all frames are aligned with the stringline.

2. Place Steel Stakes

Concrete forming steel stakes provide fast and easy leveling as well as added racking strength to the entire system while keeping all of the frames in line. Use a small mallet to hammer steel stakes into the ground at the end of each base tube.

3. Leveling The Frames

Run a string line across the entire system along the top of the base tubes. Raise the end frames until they are level with each other and higher than all other frames. If there is a high point in the middle of the row, remove dirt from under that frame so it is below the end frames. Raise all frames up to the string line and clamp them to the stakes to keep them level (see steps 3-4 on page 15). Use a shovel to pack dirt underneath the frames to support them at this new height.

Attaching Geotextile

⚠️ IMPORTANT

- It is important to properly prep the top surface of each base tube using the scuff pads and alcohol wipes included with the IR EarthBallast Kit before applying the epoxy adhesive.
- Keep in mind that the epoxy will set up in 15 minutes, so be sure to roll the geotextile along the way as the epoxy is applied.
- Always extend the geotextile fabric 2 feet beyond each end of every row and make sure all of the material is buried.

System Three Technical Specs



Minimum Application Temp.: 40°F (4°C)

Minimum Storage Temp.: 40°F (4°C)

Cure Time: 12 Minutes at 70°F (21°C)

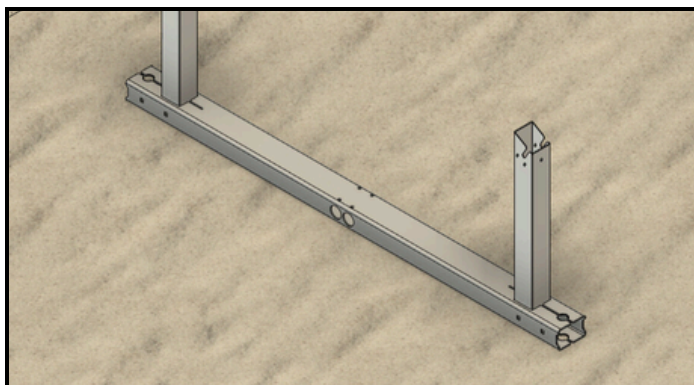


Figure 10

4. Prep Adhesive Surface

Use the included scuff pad to scuff the top of each base tube to remove the surface layer of oxidization and to promote better adhesion. Just before applying the epoxy, clean the surface using the provided alcohol wipes.

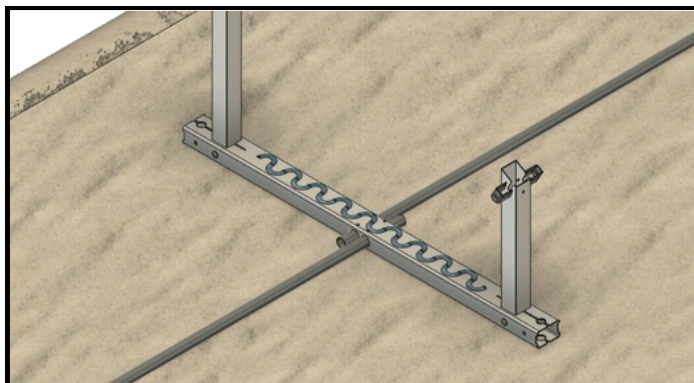


Figure 11

5. Apply Adhesive

Remove the twist cap and pull the sealing plug from the included epoxy and attach the mixing nozzle. Using a caulk gun, apply the epoxy in a zig zag pattern along the top of each base tube in between the two upright legs (See Figure 11).

It is important to note that epoxy only requires 15 minutes to set up, so larger installations may require rolling the Geotextile Material after every 10-12 frames have had the epoxy applied to them.

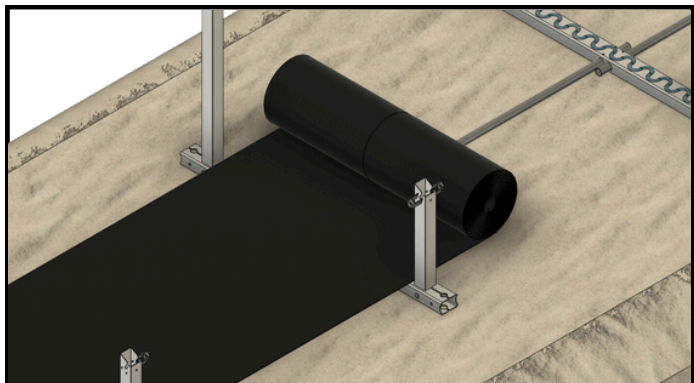


Figure 12

6. Roll Out The Geotextile Material

Secure the first 2 feet of the geotextile roll with weights or rocks ahead of the first frame and pull lightly while unrolling it across the top of the wet epoxy. Keep light tension between each frame section before pulling the material down onto each frame. Before epoxy sets up, use rubber gloves to lightly rub the geotextile material into the wet epoxy before the 15 minutes has lapsed. Extend the geotextile 2 feet beyond the end of the row.

Earth Filling Frames

⚠️ IMPORTANT

- It is recommended to determine the weight of the soil being used for ballasting. Please see our [Stamped Engineering & Datasheets](#) for specific weight requirements for your selected model.
- It is best to use compactable soil for ballast system as loose soil or sand may be displaced by high winds.
- Earth mound should be uniform in shape and size across the entire system to ensure even ballasting.
- Ensure highest point of the earth mound is slightly closer to the long legs for better weight distribution.



Figure 13

7. Earth Fill Frames

Using a shovel or a skid-steer, dump a pile of material onto the geotextile fabric in between each frame. The center of the earth mound should favor the rear of the system and no more than 12" away from the tall leg. Make sure all of the geotextile material is buried. *Repeat this step until every frame is covered.*



Figure 14

8. Pack The Earth Mound

Use a shovel to pack the earth mound down and form it with a shovel/rake into a uniform shape. Make sure the center of the mound is closer to long legs for better weight distribution.



Figure 15

Proceed To Page 24 For Module Installation

⚠️ IMPORTANT

- Not for use in silt/sand soil types and not recommended for rocky soil.
- The IR EarthScrew system is only recommended for frost depths of up to 20".
- It is recommended to test a single IR EarthScrew in the soil at installation site to ensure at least 1,000 pounds of uplift.

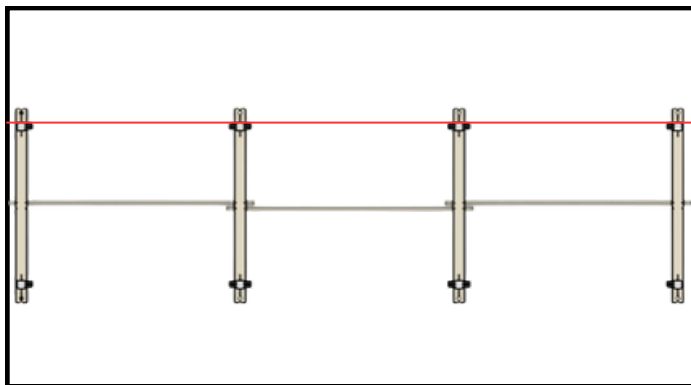


Figure 16

1. Line Up The Frames

String line at the base of the front or rear leg on one end of the row and run it along the row of BallastRack frames to line them up. Leave the string line attached for leveling after install.

Optional Installation Steps - Note: This step is only for dense hard packed soil types

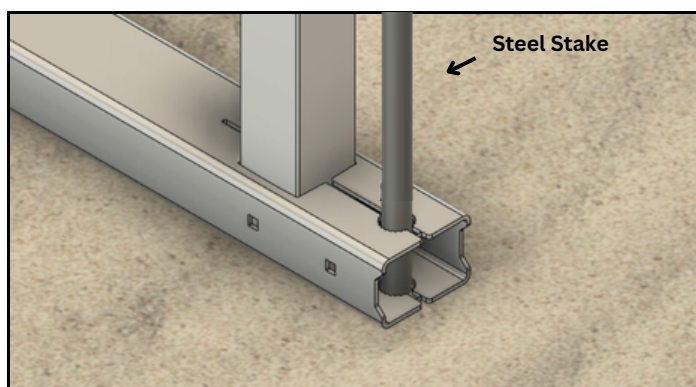


Figure 17

Mark Drilling Locations

Using a steel stake, tap it 1-2" into the ground through the open holes at each end of the base tube to mark the ground for the EarthScrew pre-drilling locations.

*It is best to wet the ground before marking drilling locations

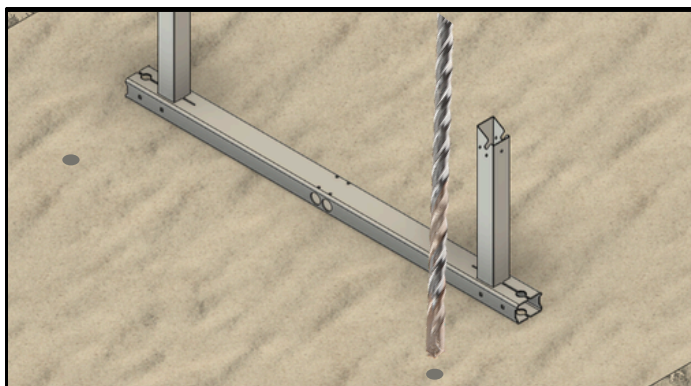


Figure 18

Drill Holes For The IR EarthScrews

Move the entire system 3-4" left or right so the holes can be drilled with the frames out of the way. Use an SDS Max Hammer Drill and a 1x30" SDS Concrete Drill Bit to drill a hole 20-24" deep at each of the marked locations.

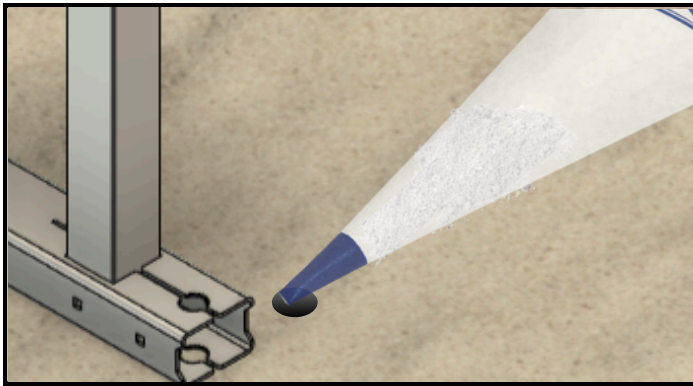


Figure 19

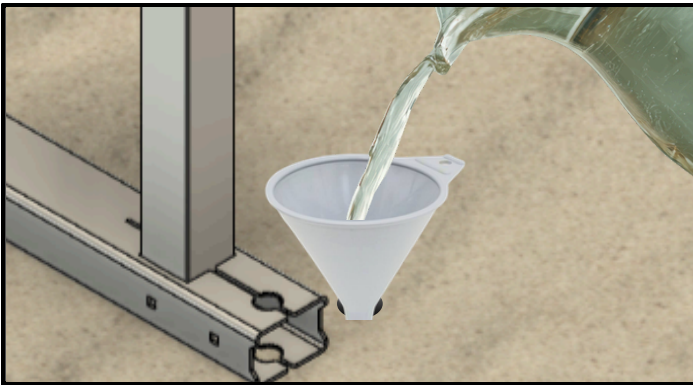


Figure 20

Fill With Water & Portland Cement

Use a funnel to pour 8oz of water into each hole, then use a grout bag to fill each hole with Portland Cement Powder until about 1" from the top. Much of the water will be forced out as the cement powder goes in.

Installing The EarthScrews



Figure 21

2. Install The EarthScrews

Use a powerful $\frac{3}{8}$ " drive impact wrench gun or a standard $\frac{1}{2}$ " drive impact wrench gun with a 14mm socket to screw the EarthScrews into the ground through the opening at the end of each base tube. Screw in until 6" of smooth shank is above the soil ground level.

BallastRack frames can be placed back in position before or after this step.

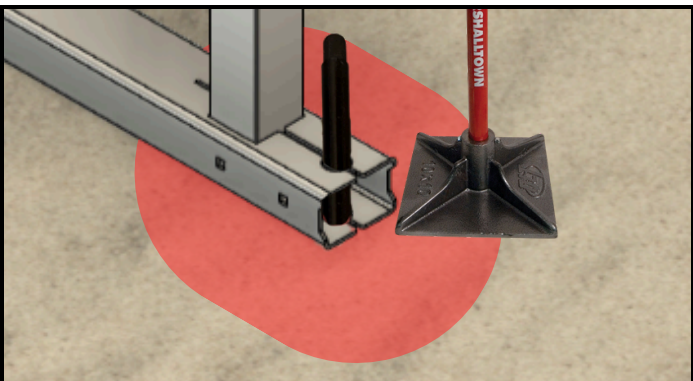


Figure 22

3. Compact The Soil

Berm up the area around the screws and fill with water. Once the water has been fully absorbed and the surface has dried, use a dirt tamper to compact the soil around each screw.

If testing for pullout strength, wait 7-10 days for the soil to fully solidify.

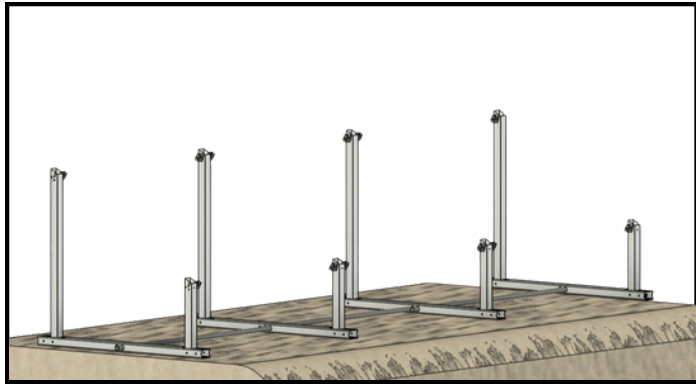


Figure 23

3. Leveling The Frames

To level the frames, the two end-of-row BallastRack frames need to be slightly higher before you level. Now bring the middle frames up to the string line and lock them in place in the next step.

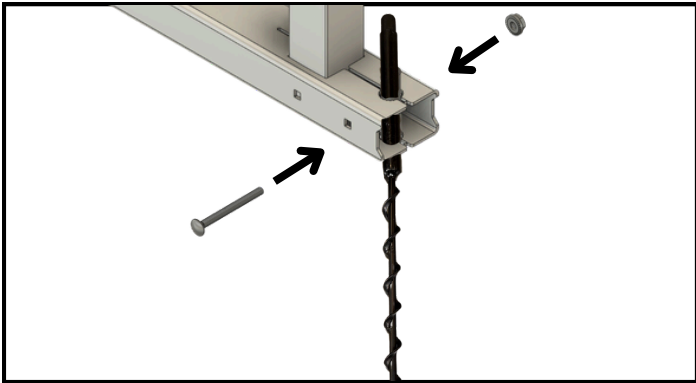


Figure 24

4. Clamp The EarthScrews

Each BallastRack frame has a clamp built into each end of the base tube and small teeth that will bite into the EarthScrew when the second bolt is tightened. Once the frame is level, insert and tighten the second Bolt A to clamp the ends and lock the base tube in a level position (See Figure 21).

****End clamp bolts require 15-20 ft lbs of torque***



Figure 25

Proceed To Page 24 For Module Installation

Drilling Holes For IR AnchorSpikes

⚠ IMPORTANT

- NOT recommended for loose sand/silt or rocky soil, only compact soil types.
- The IR AnchorSpike system is only recommended for frost depths of up to 18".
- It is recommended to test a single IR AnchorSpike in the soil at installation site to ensure at least 1,000 pounds of uplift.
- Make sure to drill holes as straight as possible.

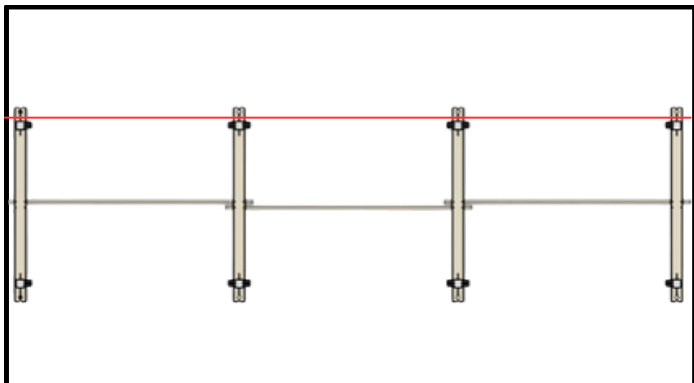


Figure 26

1. Line Up The Frames

Run a string line from the long leg of the first frame, stretch it along the frame system to the long leg of the last frame. Adjust the system as necessary until all frames are aligned with the stringline.

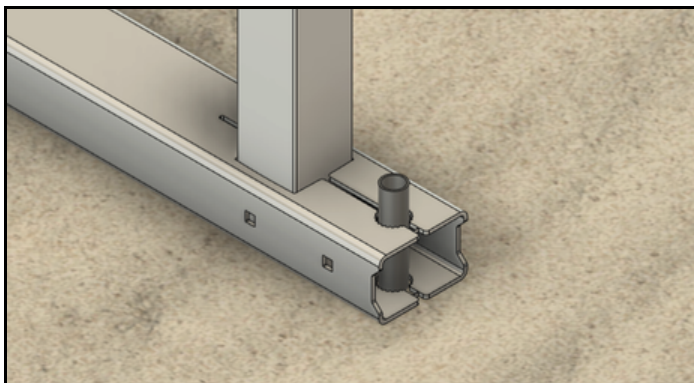


Figure 27

2. Mark Drilling Locations

Hammer one of the AnchorSpikes 1-2" into the ground through the open holes at each end of the base tube to mark the ground for the AnchorSpike pre-drilling locations.

*It is best to wet the ground before marking drilling locations

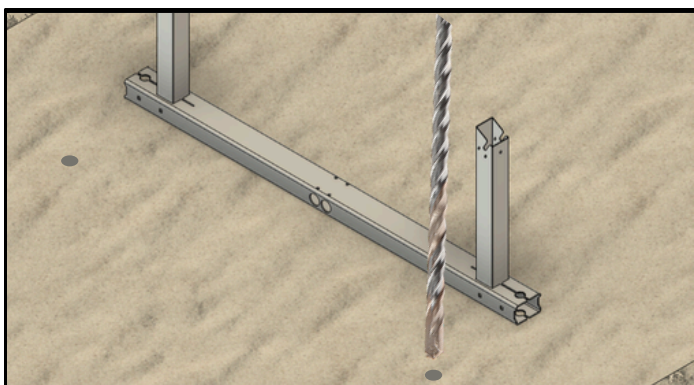


Figure 28

3. Drill Holes For IR AnchorSpikes

Move the entire system 2-3" left or right so the holes can be drilled with the frames out of the way. Use an SDS Hammer Drill and a 3/4" x 30" SDS Concrete Drill Bit to drill a hole at least 24" deep at each of the marked locations.

Installing IR AnchorSpikes

IMPORTANT

- Make sure to thoroughly mix the two part epoxy for the recommended time.
- It is important to not fill measuring cup more than 1/4" (6mm) from the top.
- Epoxy takes approximately 8-10 hours to harden and 24 hours to fully cure.
- Wear the provided rubber gloves to avoid getting epoxy on skin.



Figure 29

4. Install The AnchorSpikes

Use a hammer to tap the AnchorSpikes into the pre-drilled holes. Be sure to leave approximately 6-8" of the spike above ground for easy leveling later on. Lift up the BallastRack frames and slide them onto the AnchorSpikes (See Figure 19).



Figure 30

5. Mixing The Epoxy

Pour the A and B Epoxy components into the provided mixing container and stir for 2-3 minutes with the included stirring stick.

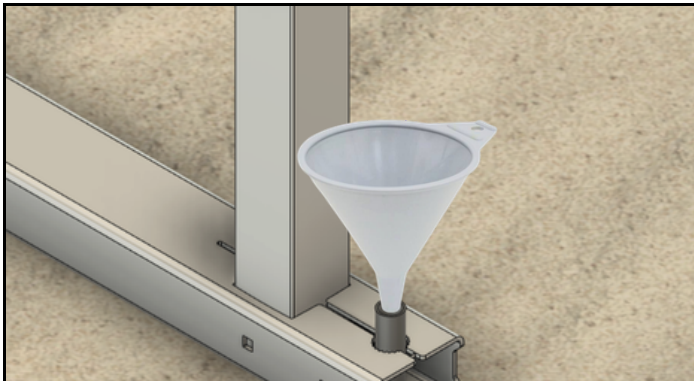


Figure 31

6. Pour The Epoxy Into The IR AnchorSpikes

Pour the mixed epoxy into the small measuring cup 1/4" (6mm) down from the top (be careful not to fill more than necessary). Now pour the epoxy through the top of each IR AnchorSpike and wait 8-10 hours for the epoxy to harden before proceeding to the next step.

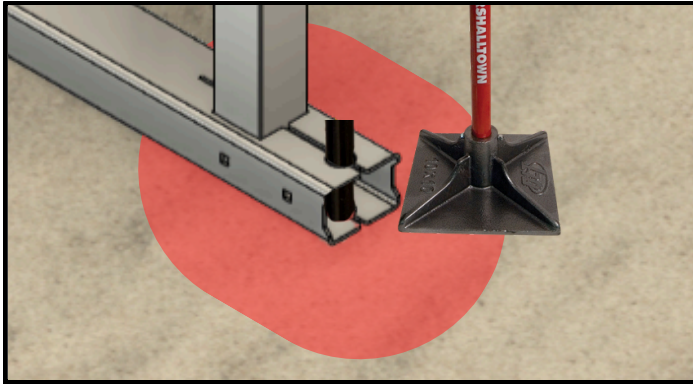


Figure 32

7. Compact The Soil

Wait 24 hours for epoxy to fully cure, then wet the soil around each AnchorSpike and wait 30 minutes for the water to absorb into the soil, then tamp the soil with a dirt tamper.

If testing for pullout strength, wait 7-10 days for the soil to fully solidify.

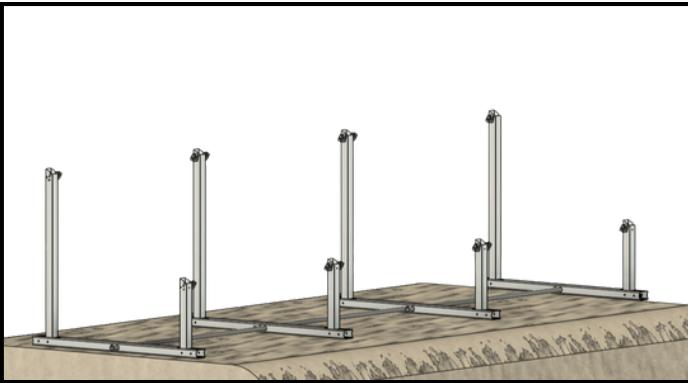


Figure 33

8. Leveling Frames

The easiest way to level the system is to run a string line along the tops of the base tubes and bring them all up to the string line. Level each frame one at a time and clamp the base tubes to the AnchorSpikes to keep them level. Once level, proceed to the next step.

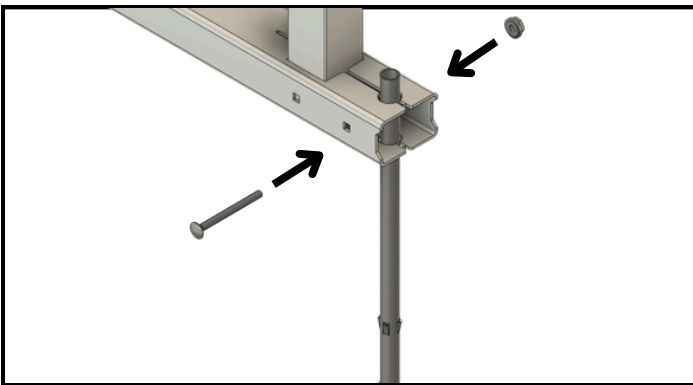


Figure 34

9. Clamp AnchorSpikes

Each BallastRack frame has a clamp built into each end of the base tube and small teeth that will bite into the AnchorSpike when the second bolt is tightened. Once the frame is level, insert and tighten the second Bolt A to clamp the ends and lock the base tube in a level position (See Figure 30).

****End clamp bolts require 15-20 ft lbs of torque***



Figure 35

Proceed To Page 24 For Module Installation

Measuring & Installation

⚠ IMPORTANT

- Make sure to measure the space in between the base tubes and not in between the legs for frame spacing.

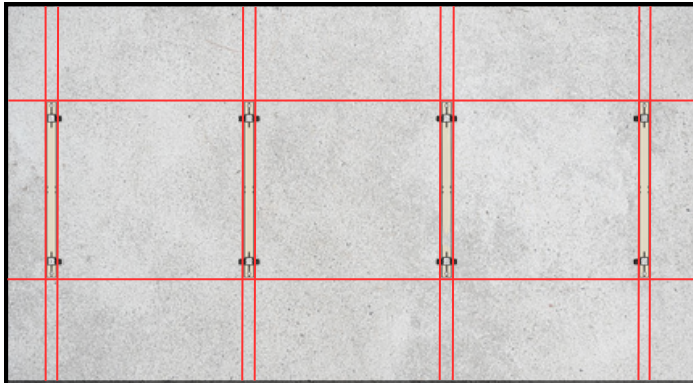


Figure 36

1. Measure & Chalkline Frame Placement

The frames must be spaced according to the width of your solar panel (See Page 10, Step 5). Place all frames at the exact spacing and mark both sides of each base tube. Make sure the frames at each end of the row are lined up straight and mark from the first frame to the last frame and chalk a line in between (See Figure 32).

Always double check spacing between frames

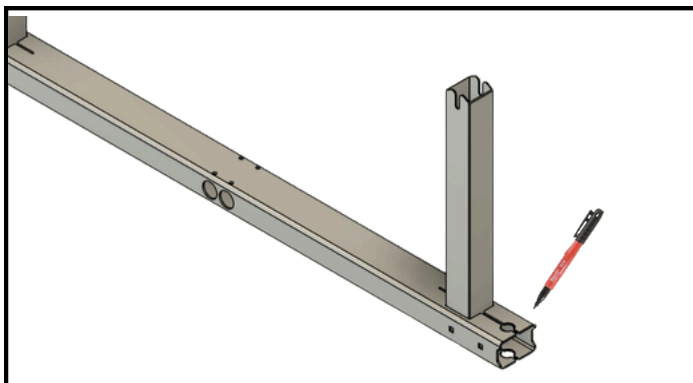


Figure 37

2. Mark The Drilling Locations

Move each frame into their marked positions and use a permanent marker to outline the opening at the end of each base tube where the concrete anchor bolts will go into the concrete.

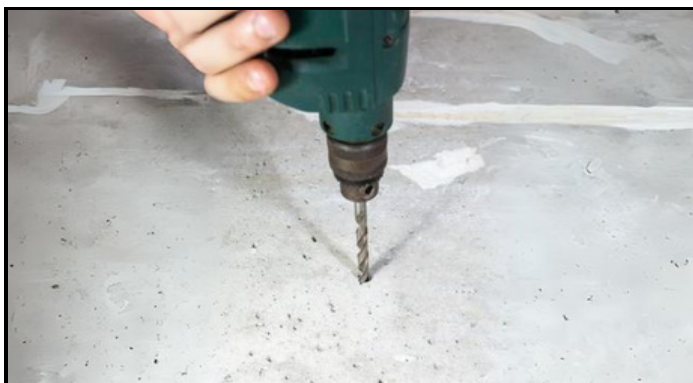


Figure 38

3. Drill Pilot Holes

Move all frames out of the way and use an SDS Hammer Drill and the included concrete drill bits to drill a 3" deep hole in the middle each of the marked locations.

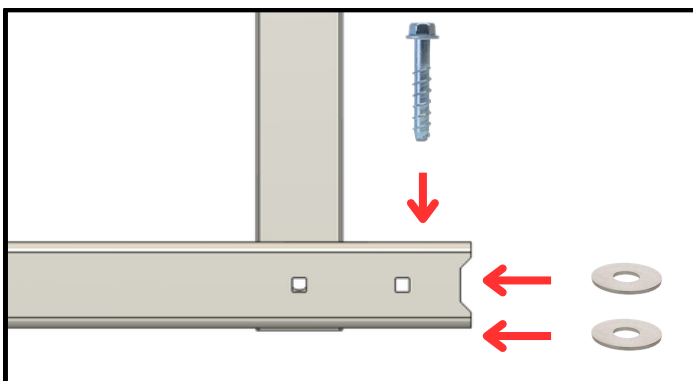


Figure 39

4. Bolt The Frames To The Concrete

Move all frames back into their marked locations, and bolt them in place using the provided concrete anchor bolts and washers. Make sure to place one washer under the base tube and one under directly under the head of the bolt (See Figure 35).

IMPORTANT

- Round 3/4" concrete forming steel stakes are required for this mounting option to prevent movement of system.



Ballasting Options

The IntegraRack BallastRack system can be ballasted using concrete curb stops, cinder blocks, or sandbags. Make sure to follow the requirements below:

- Ensure that the minimum weight requirement is met for your chosen racking system (see [Engineering & Datasheets](#) for model specific weight requirements)
- Ensure that the ballasted weight is distributed evenly across the length of the system
- Treated lumber can be laid across the base tubes of the frame to support sand bags or cinder blocks
- This mounting option is not recommended in high-wind areas

IR-15 - Setting 0° The Sun Angle

IMPORTANT

- 0° setting is intended for use in case of an impending hurricane, but will lower the output of your system.
- We recommend installing the tall leg with the opening facing the back of the frame (See Figure 36).

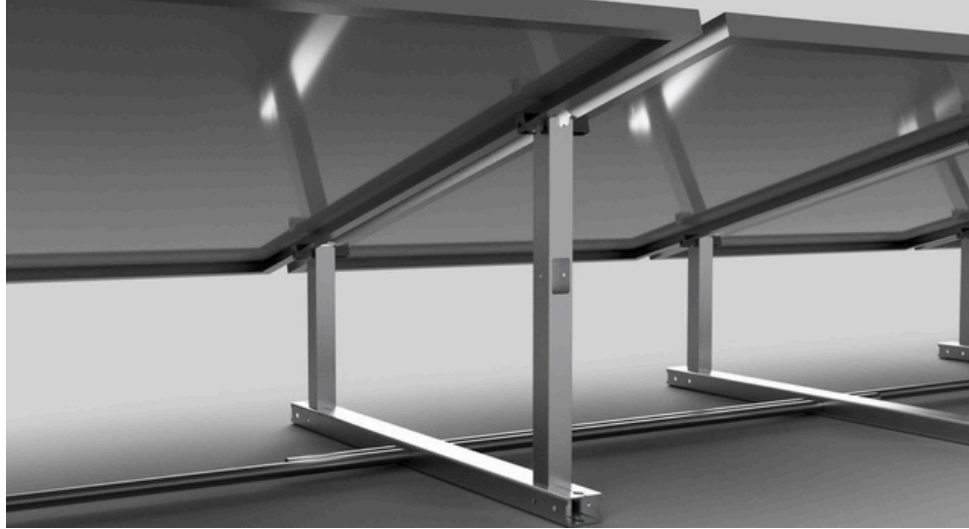


Figure 40

1.Assembly

We recommend assembling the IR-15 with the opening on the tall leg facing the back of the frame. This allows for much easier access and faster adjustment from 15°-0° (See Figure 37).

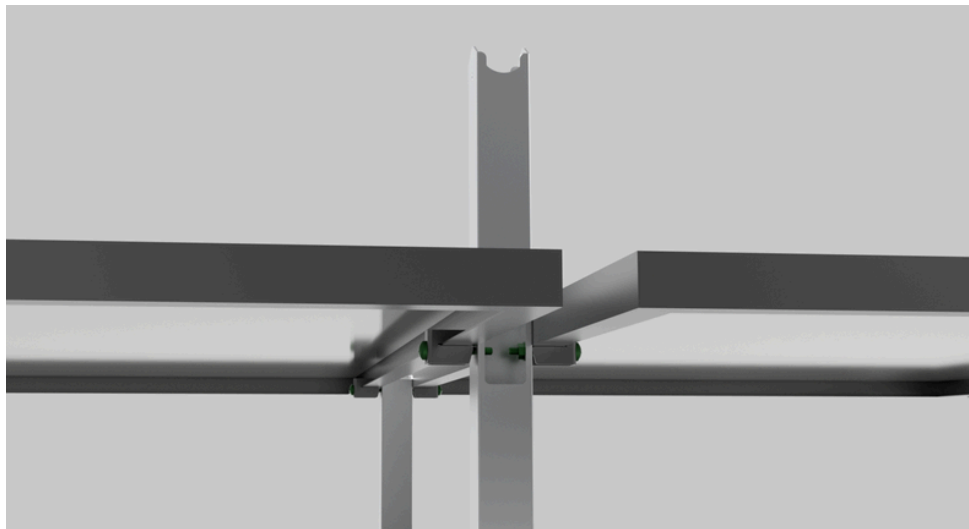


Figure 41

2.Setting 0° Sun Angle

Loosen the serrated nuts on the lower IR-F2 clamps and remove the serrated nuts from the upper IR-F2 clamps. Holding the top of the panel up with one hand, remove the upper IR-F2 clamps and lower the top of the panel to the 0° position so the panel is level with the short legs. Now the upper IR-F2 clamps can be inserted into the lower holes and the serrated nuts can be fastened through the opening at the back of the tall leg (See Figure 37). Make sure to tighten all serrated nuts again before adjusting the remaining panels.

IMPORTANT

- This system is NOT intended for seasonal angle adjustment.
- Always ensure that the adjustable leg is locked firmly in place to maintain maximum wind and snow ratings.
- The numbers on the front and back of the adjustable legs marks the set sun angle.
- Make sure that all frames are set to the same angle for each row.

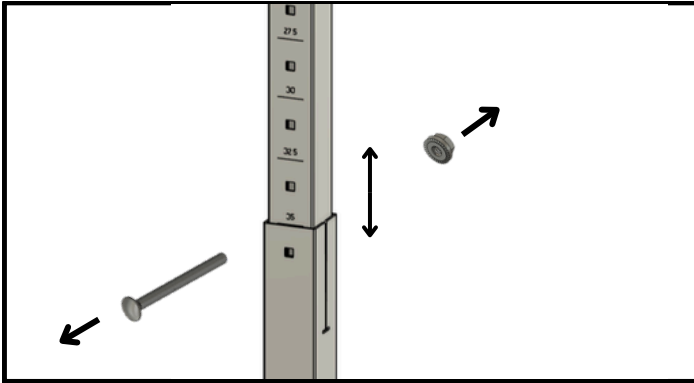


Figure 42

1. Remove The Locking Bolt

The adjustable leg of each frame should be set to the lowest position. To change the angle, simply remove the locking bolt by loosening the serrated nut with a 1/2" (13mm) wrench.

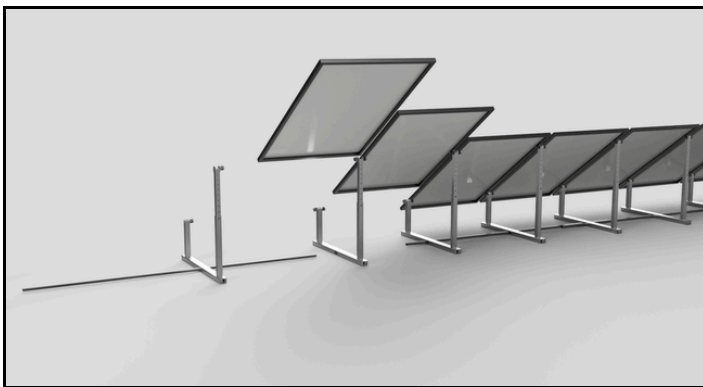


Figure 43

2. Set The Sun Angle

Slide the adjustable leg to the desired sun angle by using the numbers in the front and back of each leg. Each number represents the angle of the system when the line below that number is lined up with the top of the base leg.

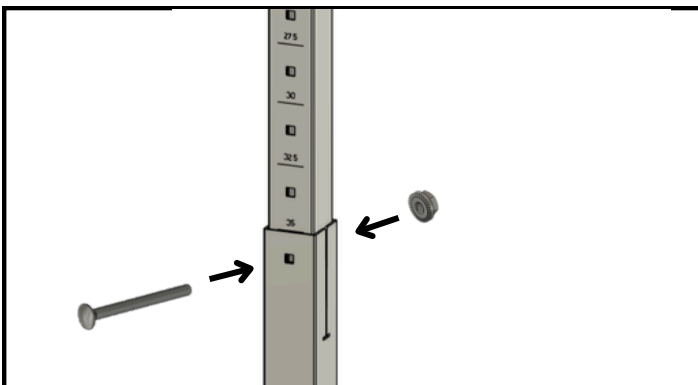


Figure 44

3. Lock The Sun Angle

Once at the desired angle, insert the locking bolt through the base and adjustable leg and tighten the serrated nut. Make sure that the adjustable leg is firmly locked in place to maintain maximum wind and snow ratings (If your frame has a washer, do not forget to put the washer back during assembly).

Installing Solar Modules

IMPORTANT

- Solar module height can be adjusted after mounting by sliding them along the flange clamps before tightening serrated nuts.
- Have IR-F2 Flange Clamp Bonding Brackets readily available before placing modules for fast mounting.
- The flange of the module will fit into the slot cut into the side of the IR-F2 and the pointed barbs should be inside the flange for bonding of the modules.

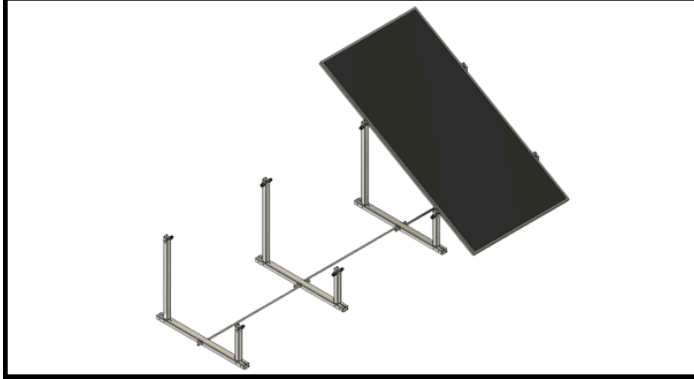


Figure 45

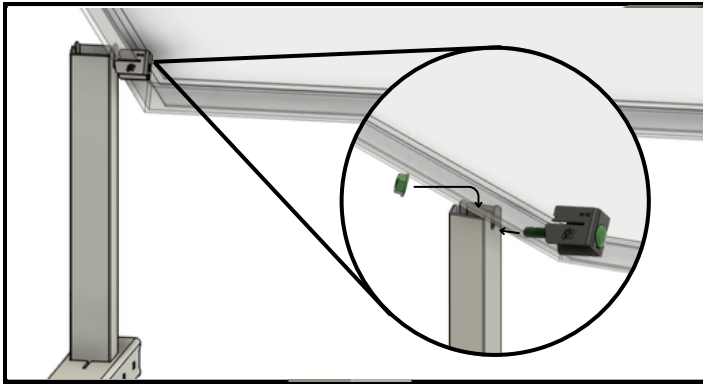


Figure 46

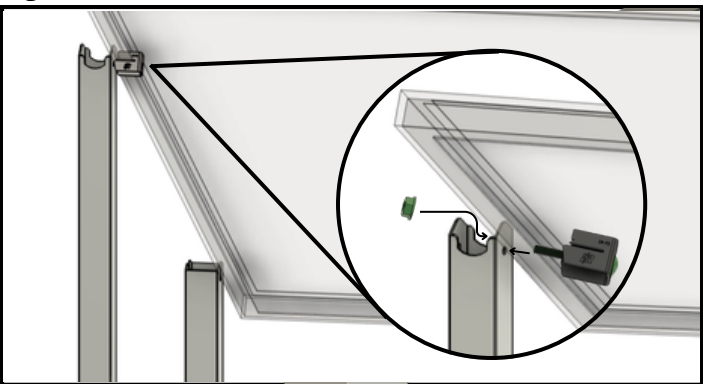


Figure 47



Figure 48

1. Position The First Solar Module

Remove the serrated nut from the end of each IR-F2 Clamp and keep them readily available for mounting. Carry solar module and place it into position between the the first two frames. Set the module roughly where it will be mounted.

2. Mount Lower IR-F2 Brackets

Lift the bottom end of the solar panel up to the top of the short legs and attach the IR-F2 bracket to the flange of the solar panel's frame. The flange should fit into the open slots cut into the side of each IR-F2, with the sharp barbs pressed against the inside of the panel frame and the bolt going underneath it. Insert the bolt into the open slot at the top of the leg and fasten the serrated nut onto the end, tightening only by hand for now. Repeat this process on the other short leg and move on to the next step.

3. Mount Upper IR-F2 Brackets

Use the same process to install the upper IR-F2 brackets in similar fashion.

*Your long legs may have a hole instead of an open slot

4. Adjust Solar Module Height

Once all solar modules are in place, they can be slid up and down to ensure that they are all the same height for a clean looking system. The serrated nuts may need to be loosened before doing so. Simply slide the modules to the desired position and use the ratchet wrench included with your base mounting kit to tighten all of the serrated nuts and lock the modules in place. If you did not purchase a mounting kit most 1/2" or 13mm wrenches will work provided they are small enough to fit. Make sure not to over-tighten.

***Do NOT exceed 20 ft lbs of torque on serrated nuts**

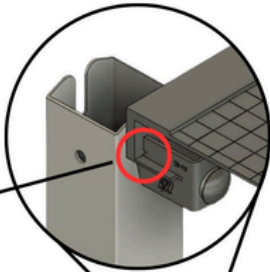
Electrical Bonding & Grounding

IntegraRack® IR-F2 Solar Panel Clamp



The IR-F2 uses sharp piercing barbs to penetrate the frame of the solar panel and create a bonding path.

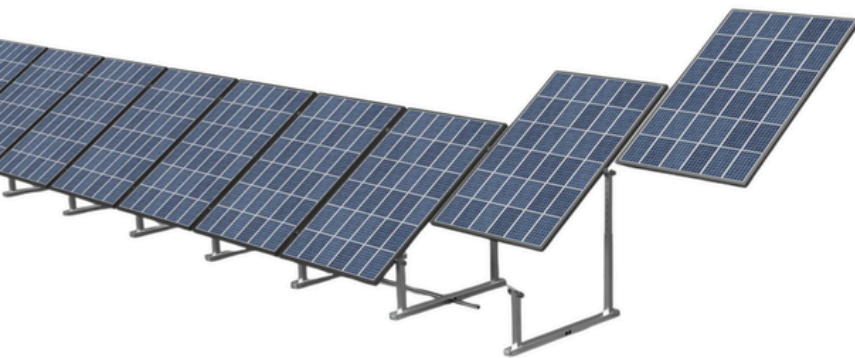
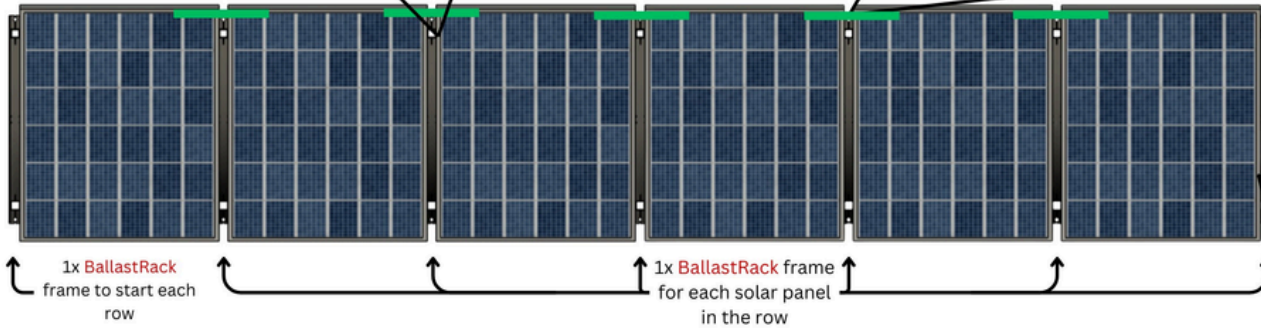
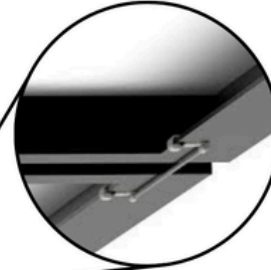
**As per UL 2703, the BallastRack railless solar panel racking system is not part of the electrical bonding/grounding pathway.*



IntegraRack IR-F2 solar panel clamps provide great bonding from solar panel to solar panel, but if full UL 2703 compliance is required for the project, 8" DynoRaxx® DynoBond™ Bonding Jumpers can be used as shown.

Ground mount frames are excluded from the bonding pathway according to UL 2703, therefore, DynoBond bonding jumpers are all that is required to fully comply with UL 2703 electrical bonding requirements for our rail-less solar panel mounting systems.

DynoRaxx® DynoBond™ Bonding Jumper (8 Inch)



One grounding lug (IlSCO SGB-4 Dual Rated Solar Grounding Lug) will need to be clamped to the inner flange of the solar panel frame at one end of each row installed.

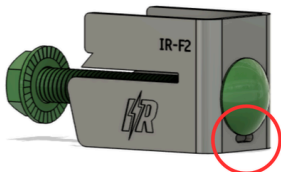
Run heavy gauge copper wire from the grounding lug to the systems grounding rod.



**Always check local building codes for proper earth grounding procedures*

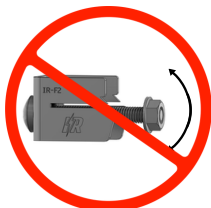
IR-F2 Flange Clamp Bonding Bracket

INTEGRATED ZIP TIE SLOT FOR WIRE MANAGEMENT



Integrated Wire Management

When using the integrated wire management with the IR BallastRack system, it is best to run your wires near the front legs with enough slack for the panels to move freely during seasonal adjustment.



Pre-Inspection of IR-F2 Clamps

Before installing or re-installing any IR-F2 clamps, always check to make sure that the bolt is tightened properly. If the bolt is able to move in any way, the inner nut must be re-tightened.



**STAMPED
ENGINEERING &
DATASHEETS**



**SEE OUR OTHER GREAT
PRODUCTS**



©IntegraRack 2024, All Rights Reserved. Multiple US Patents Pending

www.IntegraRack.com