



# VM1-1706

## EN ASSEMBLY INSTRUCTIONS

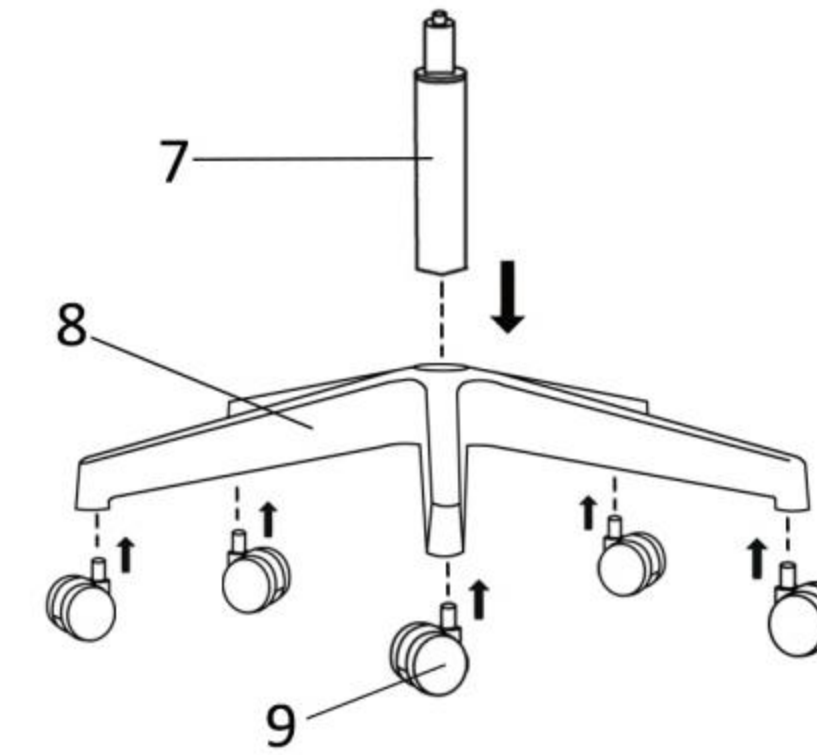
<b>1</b>	<b>2</b>	<b>3</b>	<b>4</b>	<b>5</b>	<b>6</b>	
Back	Seat frame	Lumbar pillow	Mechanism	Armrests		
1 pc	1 pc	1 pc	1 pc	1 pc	1 pc	
<b>7</b>	<b>8</b>	<b>9</b>	<b>10</b>	<b>11</b>		<b>12</b>
Gaslift	Base	Castors	M6×30	M8×20		M6×16
1 pc	1 pc	5 pc	10 pc	3 pc		2 pc
						<b>13</b>
						3 pc
						<b>14</b>
						1 pc



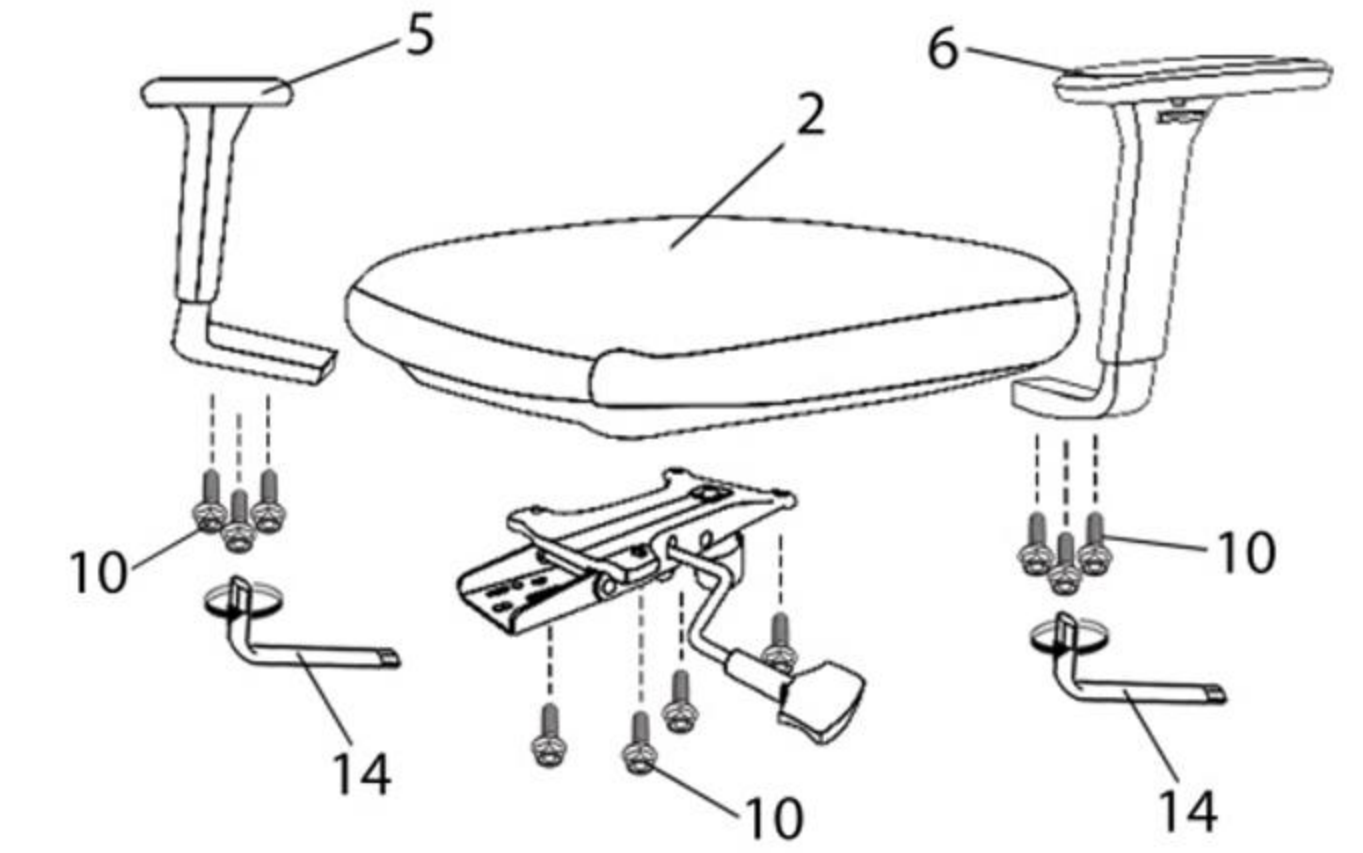
### Warning

Please read the instructions carefully before assembly; and assemble the product properly according to the instructions, don't put in use of the product before it is fully assembled.  
 \*To avoid product damage and personal injury, assemble the product properly. \*To avoid product damage and personal injury, please check the product's load capacity and do not support user's whole body on the chair arms  
 To avoid personal injury, place the product on the flat ground  
 \*Do not stand on the product.  
 \*To avoid personal injury don't use the damaged product, and dispose it properly.  
 \*Indoor use only.  
 \*Only trained people should repair the back angle adjustment component with energy accumulator contained \*Please keep the instructions in case of further use.

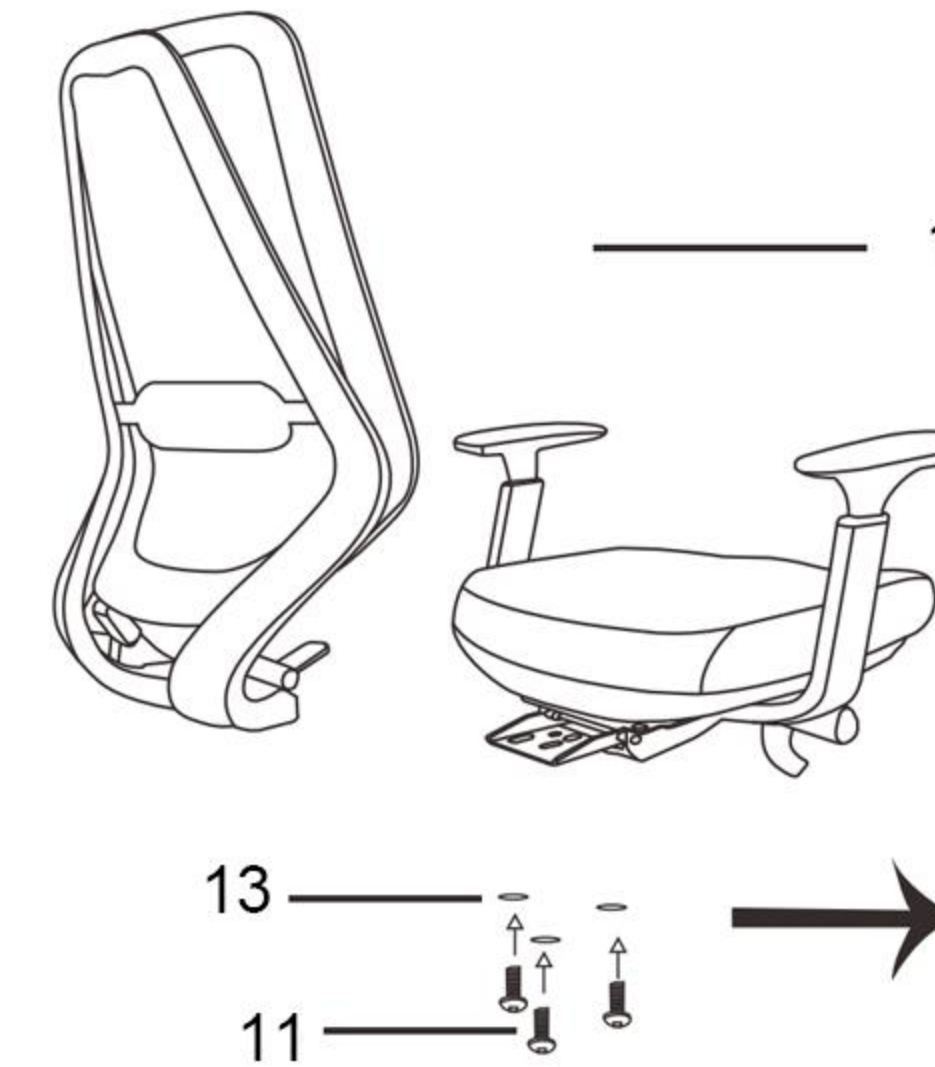
**1**



**2**



**3**



**4**



**5**

**6**