

A Functional Electrolyzed Water System  
Instruction Manual for the *Esperer*.H<sub>2</sub>O



“The *functional therapeutic water* *Esperer*.H<sub>2</sub>O”

First, we would like to sincerely thank you for your purchase, or lease, of a sensible approach to drinking water that has been enhanced through the Functional Electrolyzed Water system— *Espérer.H<sub>2</sub>O* This system is borne from decades of research based upon a water science, electro-chemistry science, electrolysis technology and the deep understanding of the functional properties of water.

Secondly, this system places its functional emphasis on the enhancement of the **solute** and **solvent substances** of filtered municipal tap water.

Lastly, the Instruction Manual is written for your safety, to provide you with concise operational instructions and to share an overall understanding of this unit. Prior to the installation and operation of the unit, please read the Instruction Manual in its entirety and then begin a responsible operation of the unit. This unit is designed for residential use and a commercial-like utilization or a non-compliance-to-the instructions outlined in the Instruction Manual will unfortunately void the 90-day customer satisfaction policy and the 3 year warranty. Please keep this Instruction Manual easily accessible for review and reference when operational questions may arise.

## Water, the essence of life

### Enhancement to Solute

pH:  $H^+$  or  $OH^-$

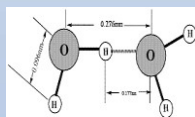
ORP: Oxidation or Reduction

DO: Dissolved Oxygen

DH: Dissolved Hydrogen

### Enhancement to Solvent

pKw: Dissociation Activity



Structure

“the functional therapeutic water *Espérer.H<sub>2</sub>O*”

# Table of Contents

<u>PAGE(S)</u>	<u>TOPIC</u>
1~2	• Cover page and introduction of the Instruction Manual
3	• Table of Contents
4~5	• Safety precautions – Warnings and Cautions
6	• Contents of the package • Accessories
7	• Nomenclature of functions on the control panel
8~11	• Installation procedures
8	• Notes on the placement of the unit
9	• Hose connections
10	• Attachment to the faucet
11	• Alternate installation to non-conventional faucets
12	• Installation of an additional inline filter
13	• Installation Check List • Inspecting for possible water leaks
14~15	• Operating the unit
14	• Using the faucet adapter
15	• Functional Espérer water mode
15	• Filtered water mode
16~17	• Exchanging of the filters
16	• Pre-filter exchange
17	• Post-filter exchange
18	• Cleaning of the unit
19	• Using the unit after a period of non-use
20	• Problematic symptom, possible cause and remedy
21	• Product specifications
22	• Servicing

# Safety Precautions

## DEFINITIONS:

A warning: Warning indicates a condition directly related to your safety. A potential for Danger may be present. Please heed the warning.

A caution: Caution indicates a condition directly related to the proper operation of the unit. A potential for damage to the unit may be present. Please heed the caution.

## WARNING SYMBOLS:



### **Do not modify, disassemble or attempt repair.**

- Failure to comply may result in fire or electrical shock.
- Please contact the importer for repair or servicing.



### **You are prohibited from handling the unit in certain ways.**

- Do not damage the power cord or plug.
- Do not place any heavy object onto the unit.



### **You are required to perform certain functions.**

- Please ensure that the plug is inserted into a proper electrical outlet correctly.
- Improper connections may cause an electrical shock or a fire.



### **Do not overload the electrical outlet.**

- An overloaded condition can create heat buildup and a potential fire.



### **Do not use with a voltage range outside of 110~120 volts, 60 cycles.**

- Improper voltage will result in damage to the unit.



### **Do not connect the unit to a DC electrical outlet.**

- This can cause a fire.



### **Do not connect or disconnect the power plug with wet hands.**

- Doing so can cause an electrical shock.



### **Do not retrieve the unit if it is accidentally submerged into water until the power cord is removed from the electrical outlet.**

- Not doing so will cause an electrical shock that may be fatal.



- If a situation of this nature occurs please ensure that repair is done by the Importer.

### **Periodically, please remove the plug from the electrical outlet and remove any dust that may have built up on the plug.**

- Dust buildup may cause a fire.



**Prior to consuming the first cup of functional water, please be sure and discard the first two cups of functional water produced by the unit.**  
•If the unit has not been used for several days, please run the unit for 2 minutes and discard this water.



**Do not install this unit in the following types of places.**  
•Near a heat source.  
•In direct sunlight.  
•In an area that is prone to freeze.  
•In an area that is prone to dust.  
•In an area that has humidity.  
•In an area that is prone to water sprays.  
•In an area that can create corrosion in the unit.



**Do not connect the unit to the Hot Water faucet.**  
•Hot water can cause failure to the unit.



**Do not use warm water in excess of 104°F (40°C)**  
•Hot water can cause failure to the unit.



**Handle the electrical plug properly while inserting and removing it from the electrical outlet.**  
•Improper handling of the plug and electrical outlet can cause failure of the plug or electrical outlet and may lead to a fire and an electrical shock.



**Please ensure that only safe municipal drinking water is used as the source water for the unit.**  
•Unsafe drinking water will lead to health problems and possible failure to the unit.  
•Do not use the following types of water:  
•well water that is not deemed safe for drinking.  
•water with a sediments  
•water with a high level of hardness.  
•water with a high level of salt.  
•water with any level of rust.



**Do not expose the unit to any level of shock, such as dropping the unit.**  
•Undue shock can cause failure to the unit.



**Do not wash the unit or expose it to water.**  
•Exposure to direct water can cause failure to the unit.

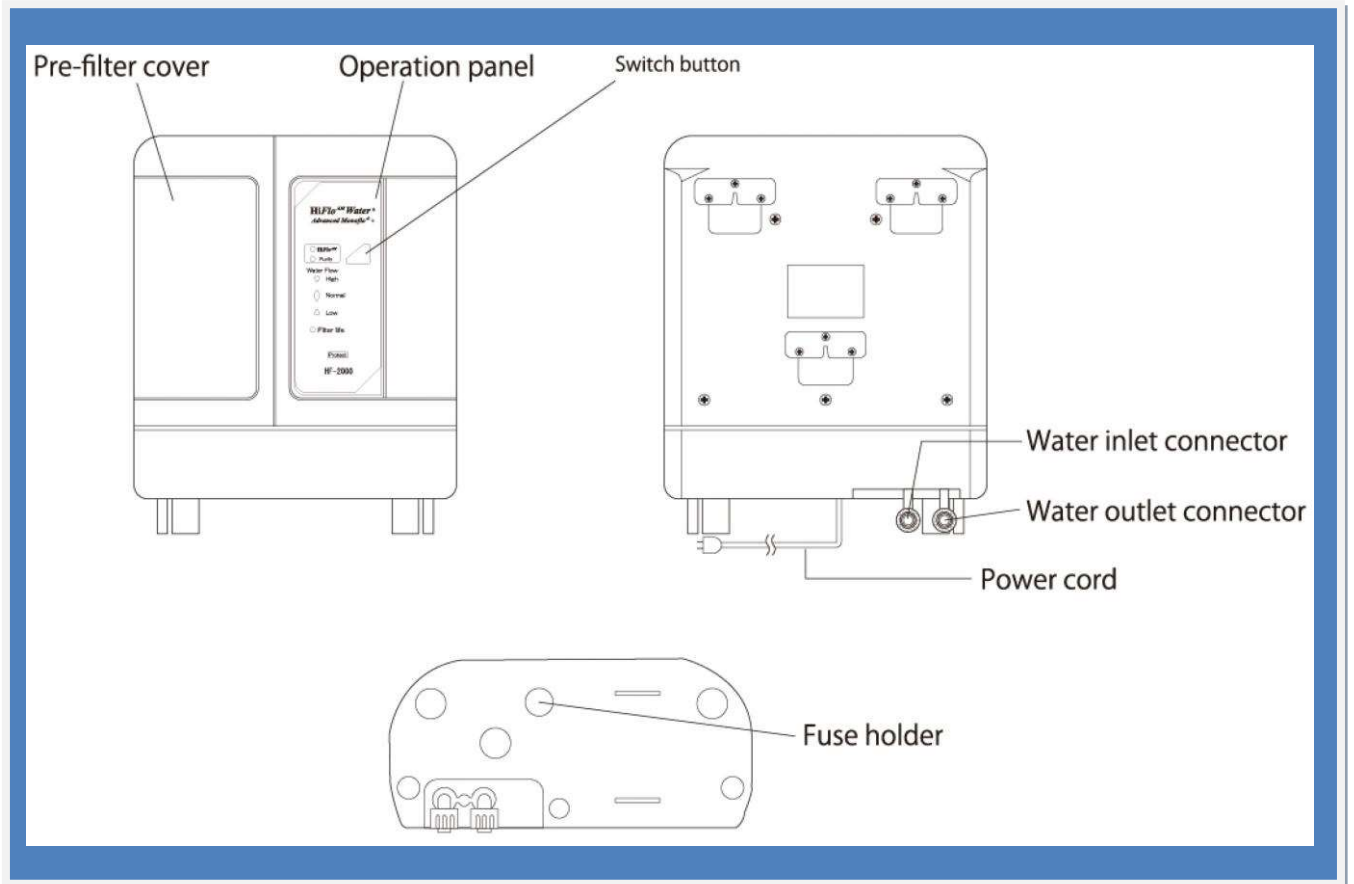


**When storing the Functional Electrolyzed Water, or the Filtered Water, in a container please be sure to use a clean-and-airtight container.**  
•Please either use or discard the water within 48 hours of production.

# Contents of the package

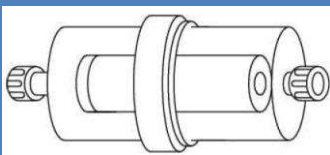


## • Main unit

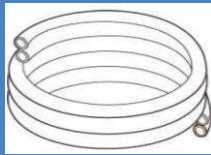


## • Components

**Post process filter**











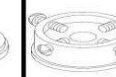
**Hosing for inlet and outlet**



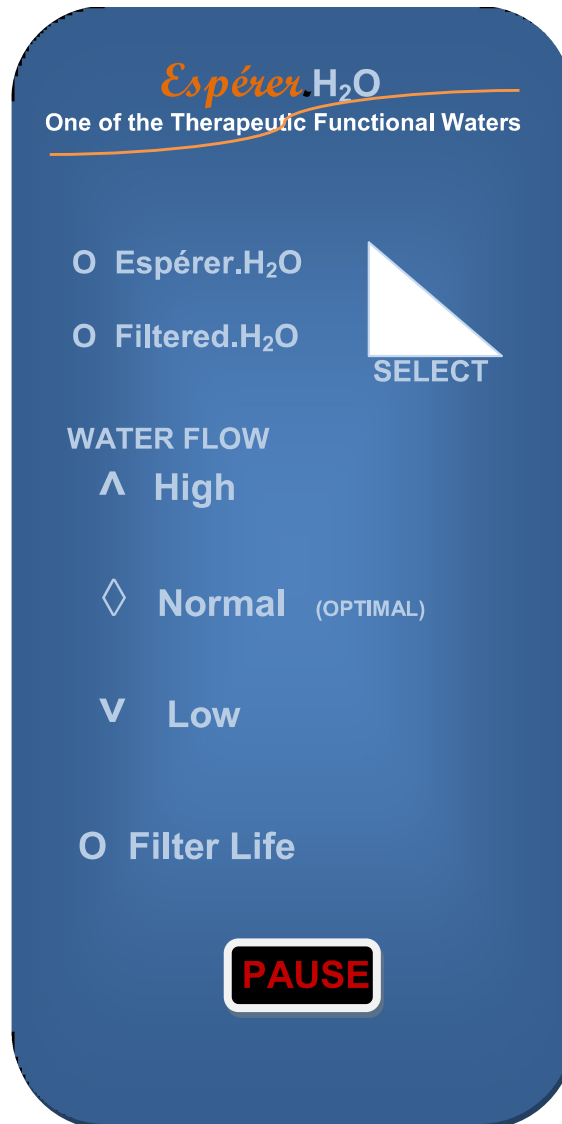
**Hose securing strap**



## • Faucet adapter with 8 optional fitments

Faucet Adapter 	8 optional fitments							
	A: C rings			B: External threads	C: Internal Threads	D: 4-screws		4 screw attachment
	19mm	17.5mm	16mm	M22 white with external threads	M22 gray with external threads	M23 gray with internal threads	M24 gray with internal threads	
								

# Nomenclature of functions on the control panel —



## Installation procedures

---

- Prior to installation, please ensure that the unit will not be installed in the following types of settings:
  - a location that is close to the source of heat or a flame
  - a location that has a high temperature range
  - a location that is in direct sunlight
  - a location that is outdoors
  - a location that is exposed to wind or rain
  - a location prone to freezing
  - a location exposed to moisture or direct water
  - a location exposed to dust
  - a location that is exposed to corrosive gas
- Additionally, the following cautions are provided:
  - do not use an inlet or outlet hose that is longer than what has been provided in your package. Doing so may cause a malfunction.
  - do not attach the faucet adapter to a hot water-only faucet. Doing so may cause a malfunction.



- Install the unit in a level place.
  - when installed in an unstable manner, the unit may lean or topple over.
    - this may result in an injury.
  - if during installation a slight unevenness is noticed, please make an adjustment to either of the front footings to stabilize the unit.





- Installing the unit onto a wall.
- when making an installation on a wall it is paramount that a knowledgeable person initiates this installation.
- improper installation onto a hollow wall may cause the unit to dismount and result in an injury.

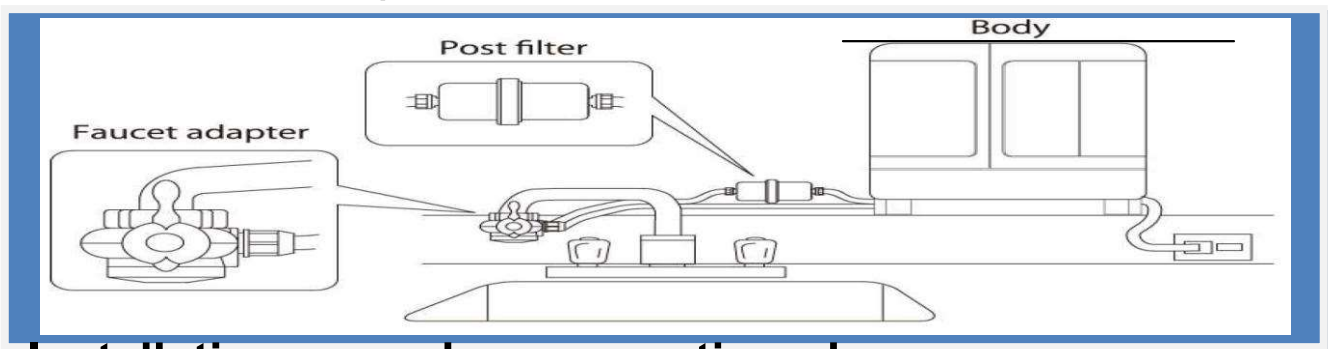


- The flow of water must not be impeded.
  - when installing the hose delivering the water to the inlet and removing water from the outlet, please ensure that there are no bends or kinks in the hose and ensure that the hose is not crushed or twisted.
  - any of these conditions in the hose may cause a malfunction.



- Do not connect the hose to any other instruments.
  - doing so may cause a malfunction.

## • Installation layout

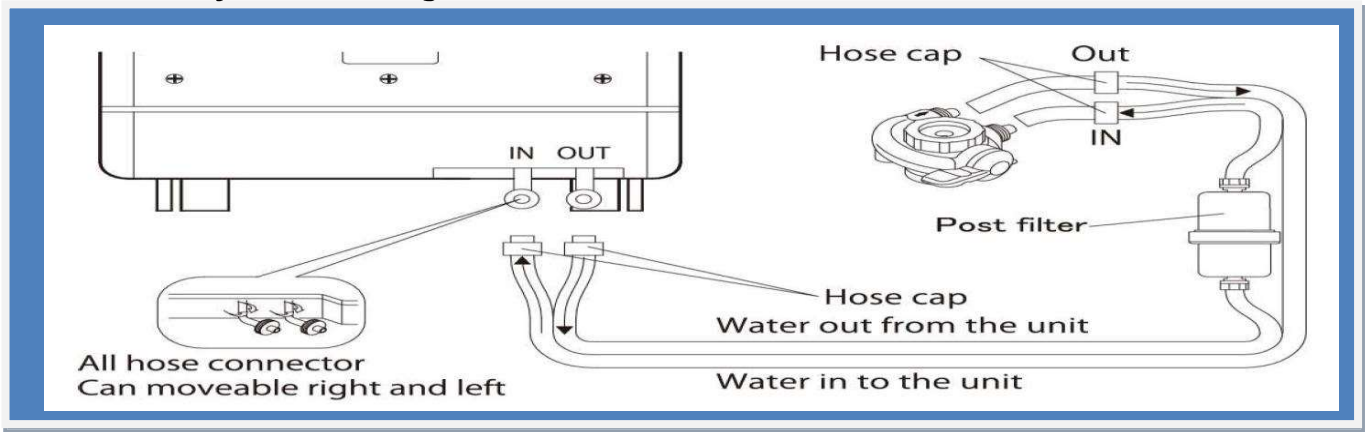


## Installation procedures – continued

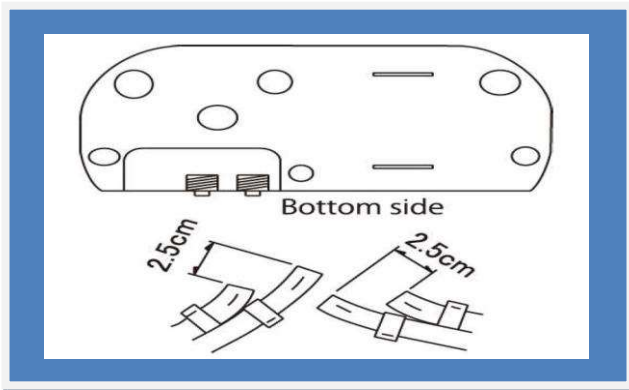
### • Hose Connections

- Please ensure hose connections are made correctly.
  - Prior to connecting the hoses to the unit, ensure that the rubber plug is removed from the hose connector on the unit.
  - Prior to connecting the hoses to the unit, placing the hose into warm water (86°F) will ease the installation.
1. Please measure the distance between the faucet and the position that the unit will be situated in while providing a few inches of allowance in its length. Cut the hose to this measurement.
  2. Taking the measured-and-cut hose, on both ends of the hose, separate the two hoses by gently pulling it apart, or carefully slicing it apart for approximately 1.5 inches. This will provide the ease of maneuvering the hose at its attachment points.
  3. Insert the hoses into the appropriate places on the faucet attachment and on the unit. Once the hoses are slipped in, screw on the threaded hose cap to secure the inserted hose.

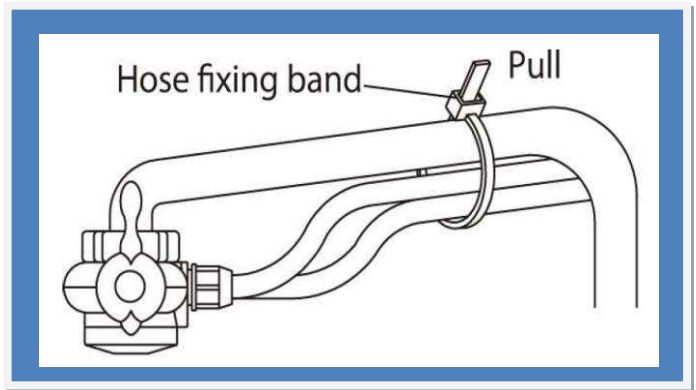
● Series of layouts showing hose connections



● Water Inlet and Outlet Connections



● Faucet Adapter Connections













Note: Please do not align the hose tightly onto the piping that will deliver hot water. This will deform the hose.

## Installation procedures – continued

● Attachment to the faucet

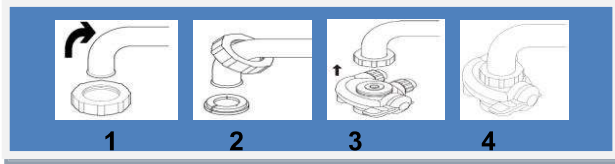
Faucet adapter with 8 optional fitments

Faucet Adapter	8 optional fitments							
	A: C rings			B: External threads	C: Internal Threads	D: 4-screws		4 screw attachment
	19mm	17.5mm	16mm	M22 white with external threads	M22 gray with external threads	M23 gray with internal threads	M24 gray with internal threads	
								

1. Please remove the Faucet Adapter and the 8 faucet fitments from the carton.
2. On the Faucet Adapter ↓  using your hands, gently remove the shoulder cap.
3. Please note the type of faucet head that you have. Based upon the faucet head,

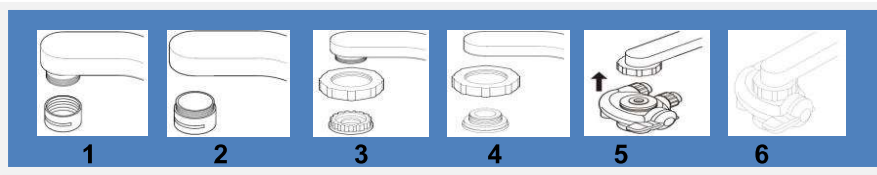
find the appropriate attachment to connect the faucet adapter to the faucet head.

### a. Faucet type with a round faucet head



1. Slip the faucet cap through the faucet head.
2. Thread the C ring to the faucet head.
3. Lowering the faucet cap over the C ring, attach the faucet adapter.
4. Align the faucet adapter and gently hand-turn it until tight.
5. The faucet adapter attachment is complete.

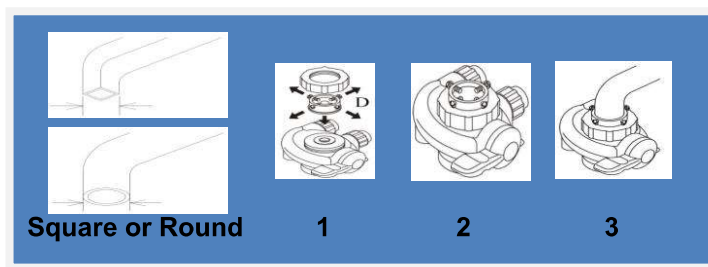
### b. Faucet type with an internal or external threading on faucet head



1. Select the internal thread or the external thread attachment.
2. On either threaded attachment selected, please place the shoulder cap onto the faucet head.
3. Gently attach the selected attachment onto the faucet thread.
4. Insert the threaded attachment to hold the faucet cap onto the faucet head.
5. Align the faucet adapter and gently hand-turn it until tight.
6. The faucet adapter attachment is complete.

## Installation procedures – continued

### c. Other types of faucet



If the faucet head is a square or round head without an internal or external threading, please use the 4-screw attachment to mount the faucet attachment. The most suitable measurement for the faucet head is  $\text{Ø}15\text{mm}\sim 24\text{mm}$ .

1. Slide the faucet cap onto the faucet head. Mount the 4-screw attachment onto the faucet head. Ensure that the attachment is mounted securely onto the faucet head.
2. Gently mount the faucet adapter onto the faucet cap and tighten.
3. The faucet adapter attachment is complete.

### d. Faucets that cannot mount a faucet adapter

For those sinks that have faucets that cannot mount a faucet adapter, such as the faucets shown below, it is suggested that a separate faucet be procured and mounted. The faucet can either replace the current faucet or be added as a second faucet.



Sensor operated    Retractable shower head    Shallow faucet    Unusual thread diameter

As an example, the following pictures show an European-style faucet that did not allow for a faucet adapter to be mounted, both from an aesthetic and adaptability standpoint. The addition of a separate faucet allowed for the faucet adapter to be attached and the unit installed.



European faucet



Second-installed faucet onto the same sink

## Installation procedures – continued ■ ■

### ● Installation check list

1. Was a proper location determined for the placement of the unit?
  - a. Not close to a heat source.
  - b. Not in a high temperature range.
  - c. Not in direct sunlight.
  - d. Not outdoors.
  - e. Not exposed to wind or rain.
  - f. Not prone to freezing.
  - g. Not exposed to moisture or direct water.
  - h. Not exposed to dust.
  - i. Not exposed to corrosive gas.
  
2. Was the installation done correctly?
  - a. Did not lengthen the hose.
  - b. Did not attach the faucet adapter to a hot water-only faucet.

- c. Installed the unit in a level place.
- d. If installed onto a wall, a professional installer completed this installation.
- e. The flow of water into and out of the unit is not impeded.
- f. The hose is not connected to any other instruments.
- g. Prior to installing the hoses, were the plugs secured in the plastic inlet and outlet elbows located on the back-bottom of the unit removed.
- h. Are all hoses securely inserted at its connection points.
- i. Have all of the threaded hose retention caps, at the end of each hose, been tightened.



3. Checking for any water leaks.

NOTE: When operating the unit for the first time with a new series of filters, do not consume this water. The activated charcoal that is used in the pre and post filters will release some of the new charcoal into the water.

- a. Initially, do not plug the unit into an electrical outlet until the pre and post filters have had 3~5 minutes of water exposure.

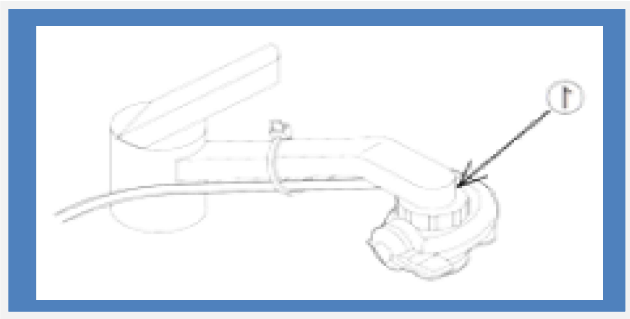
To complete this step, please run water through the unit for 3~5 minutes while noticing any carbon that may be released with the water. The carbon removal will complete itself within 3~5 minutes of water exposure.

- b. Starting with the Water Leak Test.

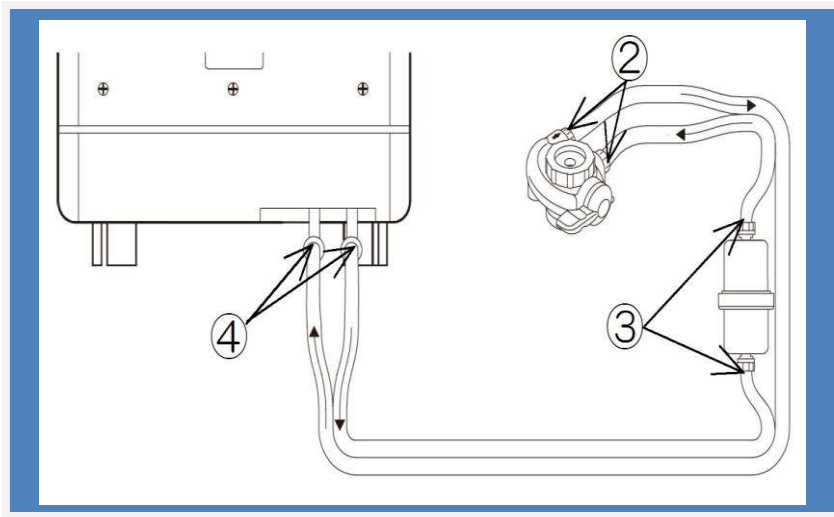
There will be 6 areas to verify for water leaks.

## Installation procedures – continued

- 6 areas for Water Leak verification



- 1. Faucet Adapter connection to the Faucet.

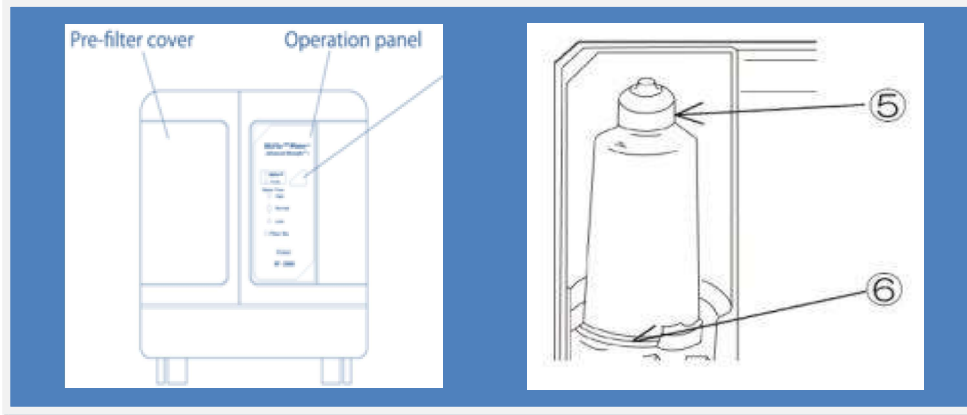


- 2. Hose connections to the Faucet Adapter.
- 3. Hose connections to the Post Filter.
- 4. Hose connections to the Inlet and Outlet of the unit.

5. Cap at top of Pre Filter.

6. Where Pre Filter canister mounts onto filter holder.

- a. Placing your hand flat onto the left-hand portion of the front of the unit, gently pushup to remove this cover.
- b. The pre-filter will be exposed. Check sites 5 and 6 for any possible leaks.

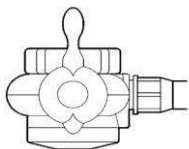


Note: When an activated charcoal filter is new, it may release some small granules which may insert itself onto-or-into threaded areas such as in sites 1, 4, and 5. If this is the case, please unscrew the component, remove the granule and reassemble it. Generally, when using a new Pre Filter, running the water through the unit for approximately 3~5 minutes will release these new granules through the normal flow of water.

● **Now, with the water leak verification complete, the unit is ready for use.**

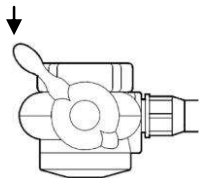
## Use of the Faucet Adapter

- There are 3 optional positions for the selector lever situated on the Faucet Adapter.



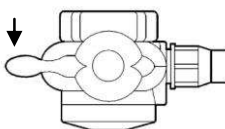
↓  
Lever position for passing Tap Water through the Faucet Adapter.

- When tap water is passed through the Faucet Adapter in this lever position, the tap water is not passed through the unit.



↓  
Lever position for passing Tap Water through the Faucet Adapter as a spray.

- When tap water is passed through the Faucet Adapter in this lever position, the tap water is not passed through the unit and exits the Faucet Adapter as a spray.

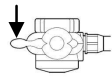


↓  
Lever position for processing Tap Water for either a standard filtration of tap water or processing for creating electrolyzed water.

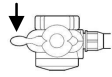


- When tap water is passed through the Faucet Adapter in this lever position, the tap water is processed through the unit.

- The “processing” of the water through the unit can indicate one of two types of processing taking place depending upon what mode of water processing is selected on the Control Panel of the unit.

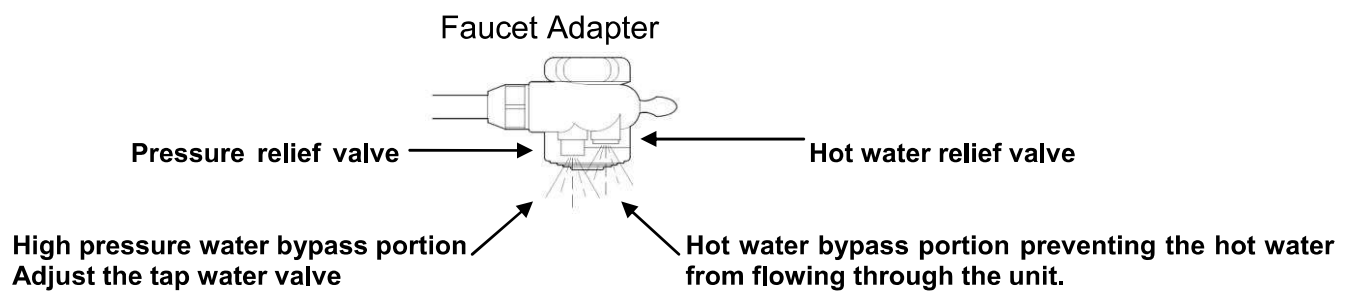


+ Filtered.H<sub>2</sub>O = Filtered tap water



+ Esperer.H<sub>2</sub>O = Functional electrolyzed water

- Protective mode designed into the Faucet Adapter for relieving hot water.



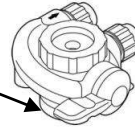
## Operating the unit

- Please plug the unit into the electrical outlet. Once the unit is plugged in, and the unit is going to be used daily, please do not unplug the unit unless for a malfunction.
- If the unit is not going to be used for a period of time, such as for a 1 month period, please unplug the unit. Upon resuming its use, plug the unit in and select the Filtered Water option and run the unit for about 3 minutes prior to consuming water from this unit.
- Do not pass hot water through the unit.
- The unit processes two types of water.
  - a. Water that has been processed through filtration and processed through the electrolysis process, or
  - b. Water that has only been processed through filtration but not processed through the electrolysis process.

Water processed through option A, as explained above, will be referred to as Filtered Water and water processed through option B will be referred to as Esperer Water.

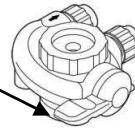
- Processing the Espérer water.

1. On the Control Panel, verify that the light on Espérer.H2O is lit.  
If the light is not lit, please press the Select Switch for the light to indicate.
2. On the Faucet Adapter, lower the lever.  
The illustration shows it lowered.
3. Open the faucet to start the water flow to the unit.  
Note: Please discard the first 1~2 cups of water prior to consumption.
4. When finished with processing the required water, please shut off the faucet.  
This will stop the flow of water to the unit and shut the unit off.



- Processing the Filtered Water.

1. On the Control Panel, verify that the light on Filtered.H2O is lit.  
If the lights is not lit, please press the Select Switch for the light to indicate.
2. On the Faucet Adapter, lower the lever.  
The illustration shows it lowered.
3. Open the faucet to start the water flow to the unit.  
Note: Please discard the first 1~2 cups of water prior to consumption.
4. When finished with processing the required water, please shut off the faucet.  
This will stop the flow of water to the unit and shut the unit off.



## Filter replacement

- There are 2 types of filters that are installed on the unit.

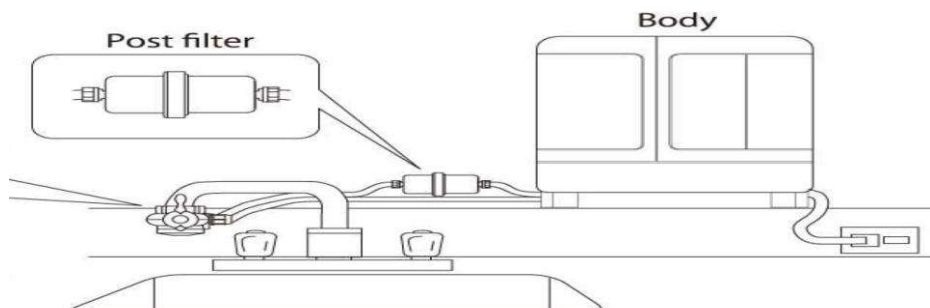
- **Pre filter**



Filter AL-F01MF: It is important to use a genuine factory assembled Pre Filter to stay within the terms of the factory-warranty for the Pre Filter performance.

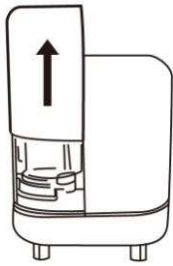
- **Post filter**

Filter:

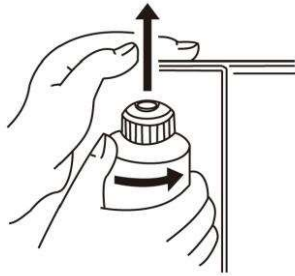




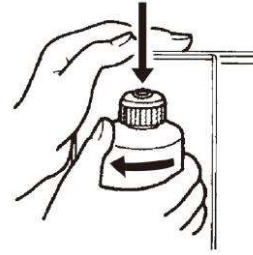
## ● Replacement of the Pre filter



1. Remove the cover.



2. Turn counter-clockwise and gently push up and remove.



3. Insert the new filter by inserting it into the filter base gently pushing down and turning it clockwise.

## ● Cautionary notes:

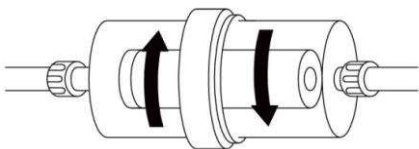
1. Anytime the Pre Filter is removed from its base, the internal memory indicating the total flow of water having been processed through the Pre Filter will be reset. Therefore, please do not unnecessarily remove the Pre Filter.
2. The internal memory records the level of chlorine that is found in the tap water at a maximum level of 2ppm and filters the tap water of chlorine. If the chlorine level in your district is higher than 2ppm, the life of the Pre Filter may be shorter and a more frequent replacement of the filter may be necessary. If an unusual level of chlorine odor is noticed, please replace the Pre Filter.

## Filter replacement — continued

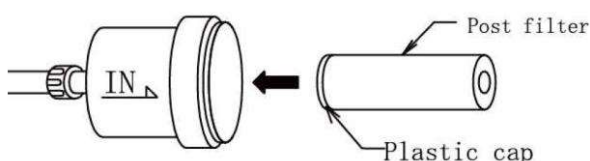
## ● Replacement of the Post Filter

- **Cautionary note:** When opening the casing containing the Post Filter element, the water in the casing will drip out. Please remove and replace the element over a sink.

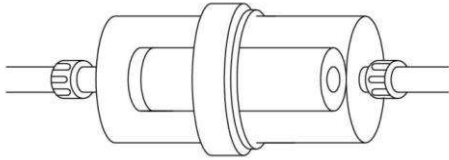
1. Shut off the faucet to stop the water flow.



2. With both hands, unassemble the Post Filter canister and remove the internal element.



3. Remove the old element and replace with the new element.

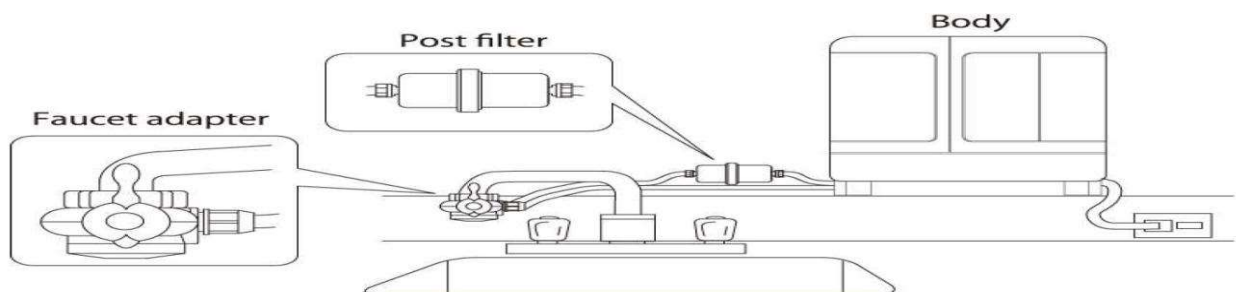


4. Gently tighten the canister components back together and ensure that there is no water leak.

- Note: The Post Filter Element should be replaced once every 4 months.

## Cleaning Procedures

- There are 3 components that are recommended for occasional cleaning. Do not clean with any detergent, abrasive material, benzene or alcohol as it may damage the component.



1. Faucet Adapter
2. Post Filter casing
3. Main body

- Cleaning of the Faucet Adapter – top portion.

1. Dismount the entire Faucet Adapter from the faucet head.
2. Remove the wire mesh and rubber gasket and remove any sediments that may be present.
3. Reassemble the Faucet Adapter and remount onto the faucet head.

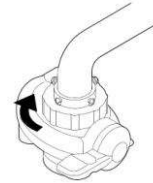
● **Cleaning of the Faucet Adapter – bottom portion.**



(1)

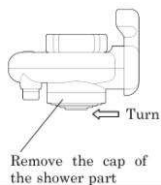


(2)



(3)

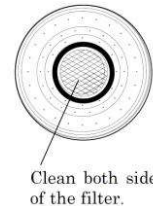
4. After remounting the Faucet Adapter to the faucet head, remove the lower portion of the Faucet Adapter.
5. Remove the cap holding the inner mesh. The cap has been installed tight to ensure a tight seal; therefore a little pressure may be required to remove this cap.
  - when removing this part, please ensure that the rubber gasket held here is not lost.
6. Using a non-metal brush remove any sediment that may be found in this general area.
7. Reassemble the cap onto the main Faucet Adapter and firmly-but-gently hand-tighten the cap.



(4~5)



(5~6)



(Do not lose this gasket.)

## Troubleshooting

### Symptom

### Possible Cause and Remedy

No indicators light up.

1. The electrical plug may have disconnected.  
Re-plug the electrical cord into the electrical outlet.
2. The fuse may have blown.  
Insert a replacement fuse and see if the unit will work.
3. The Pre Filter may not be set into the unit properly.  
Remove and reinsert the Pre Filter into its base.

The Protect Lamp is lit and other lamps are off. A 10-second buzzer also sounded.

1. During the process of electrolysis, if heat buildup is noted, the electrolysis process will pause. When the temperature lowers, the unit is ready for use.
2. This is not a malfunction but a protective pause due to the temperature buildup.
3. When the buzzer stops, press the Change-over switch.

The Protect Lamp is lit and the lamp for the *high flow rate* is flashing. A 10-second buzzer

1. An internal error has occurred with an electrical signal. Press the Select Switch. Remove the power cord from the electrical outlet for 20 seconds and reinsert the

will also go sound.

The Protect Lamp lit and the lamp for the *low flow rate* is flashing. A 10-second buzzer will also sound.

The amount of product water is low.

There is the presence of an unusual odor from the water.

power cord to the electrical outlet.

2. If the problem persists, please contact the Importer of the unit.

1. It is possible that an excess level of calcium in the tap water may have built up in the electrolysis chamber causing an uneven flow of electricity in the electrolysis chamber.
2. Press the Select Switch and the buzzer will stop.
3. Contact the Importer for further instructions.

1. There may be clogging occurring in the Pre Filter or the Post Filter.
2. Replace the Pre Filter first and see if the proper flow level returns.
3. If not, replace the Post Filter and see if the proper flow level returns.
4. It is possible that an excess level of calcium in the tap water may have built up in the electrolysis chamber causing an uneven flow of water.
5. Contact the Importer if the problem persists.

1. There may be clogging occurring in the Pre Filter or the Post Filter.
2. Replace the Pre Filter first and note the presence of the unusual odor.
3. Replace the Post Filter and note the presence of the unusual odor.
4. If the problem persists, contact the Importer.