



LUMINA PACKAGING

The Future Is Bright With Us

3116 South Mill Ave Ste 140, Tempe AZ 85282 U.S.A.

PH (623) 224-7231 / FX (623) 321-3759 EM support@LuminaPackaging.com

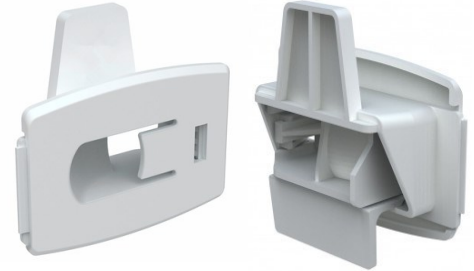
WWW.LUMINAPACKAGING.COM

Specification Sheet

Part Number

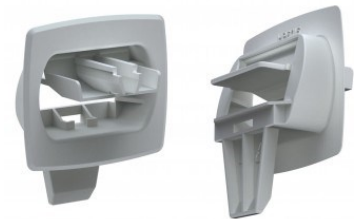
LUMICLIP-HP603

Product Image



Related Item

HP601S



Product Description

Item Name	Fixed Paddle Connecting Clip
Size	3.00"(W) x 1.96"(H)
Maximum Board Thickness	0.65"
Material	PP

Ordering Information

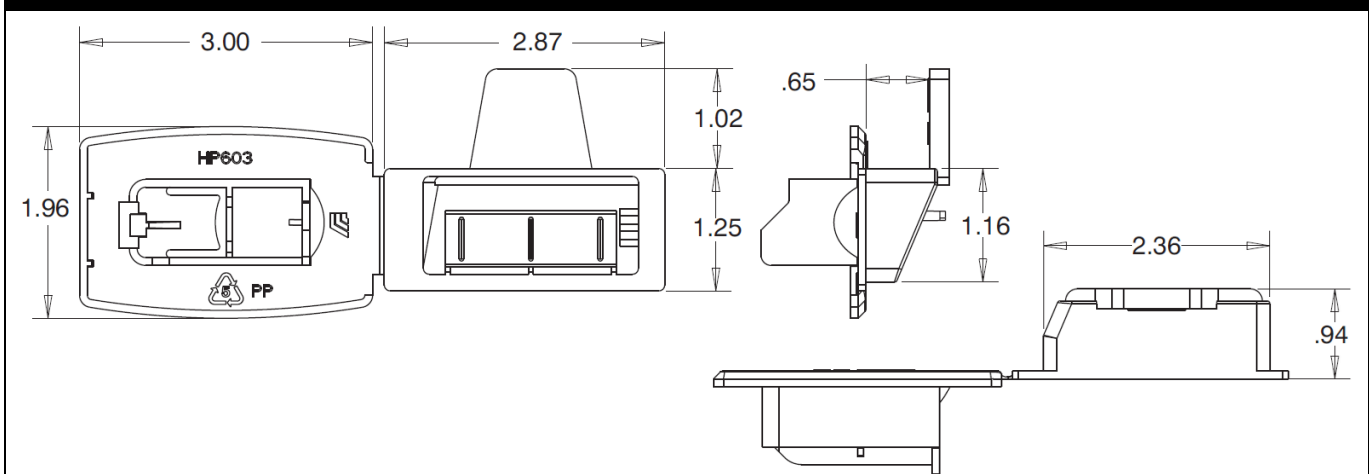
BCLIP-HP603	Translucent
BCLIP-HP603-80	Black
BCLIP-HP603-80A00	Black with Up Arrow

Packaging Information

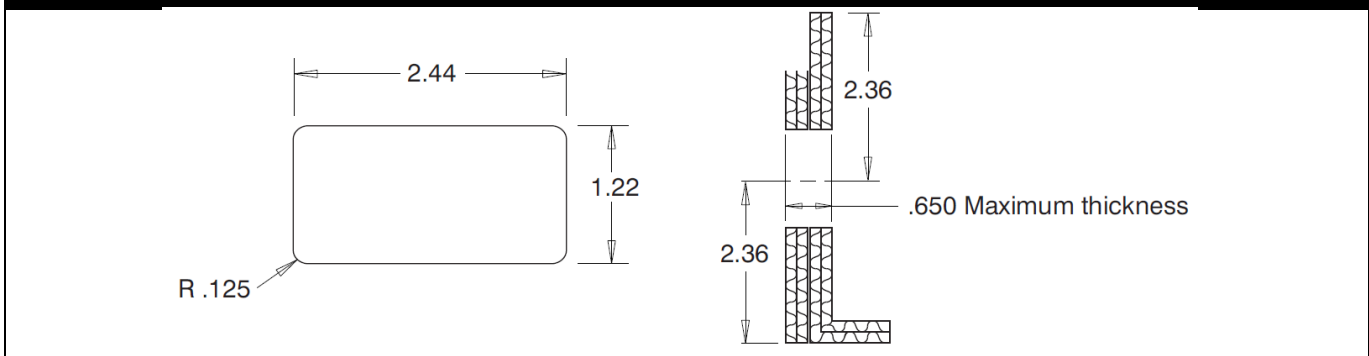
Carton Pack/MOQ	400 pcs/ctn.
Carton Weight	23 lbs.

*** Patent Protected**

Product Dimensions



Die-Cut Dimensions (Type 1)



Part Tolerance — +/- .03 inches (.75mm)

Dimensions are in inches

www.LuminaPackaging.com



LUMINA PACKAGING

The Future Is Bright With Us

3116 South Mill Ave Ste 140, Tempe AZ 85282 U.S.A.

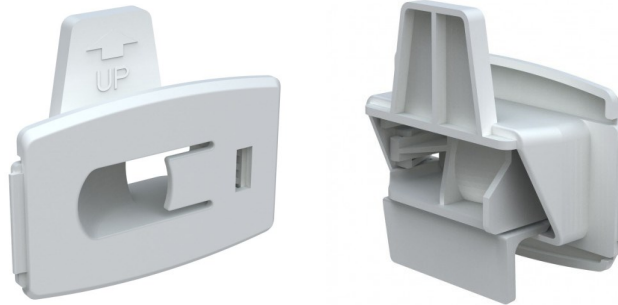
PH (623) 224-7231 / FX (623) 321-3759 EM support@LuminaPackaging.com

WWW.LUMINAPACKAGING.COM

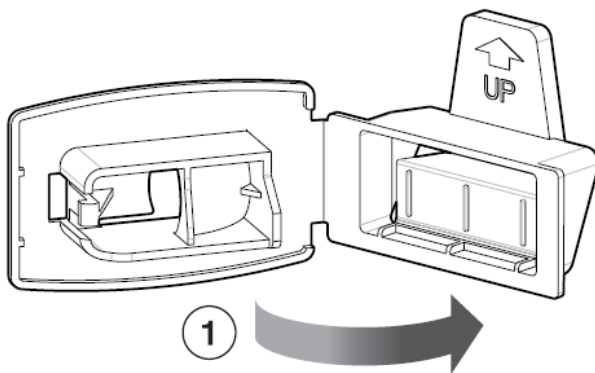
Instruction Sheet

Part Number

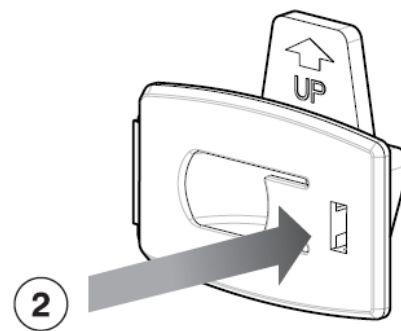
LUMICLIP-HP603



Installation Procedure



1. Rotate the outside door of the connecting clip into the main body.



2. Press the outside door until it rotates all the way in and locks into place.

Removal

1. Pull on the tab to release the outside door from the main body of the clip.

