



LUMINA PACKAGING

The Future Is Bright With Us

3116 South Mill Ave Ste 140, Tempe AZ 85282 U.S.A.

PH (623) 224-7231 / FX (623) 321-3759 EM support@LuminaPackaging.com

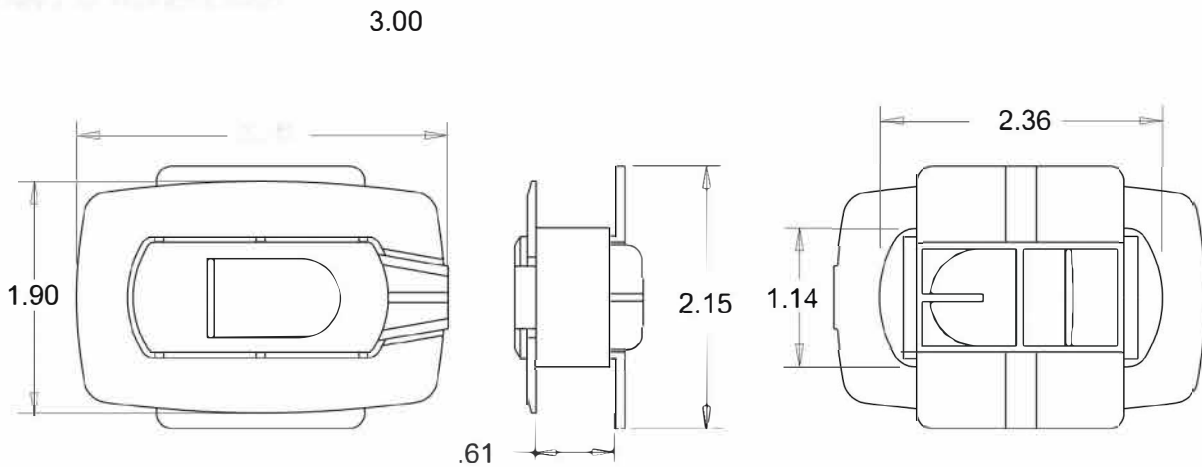
WWW.LUMINAPACKAGING.COM

Product Description

Part Number: LUMICLIP-HP602W

Size: 3.00 inches x 1.90 inches Material: Polypropylene

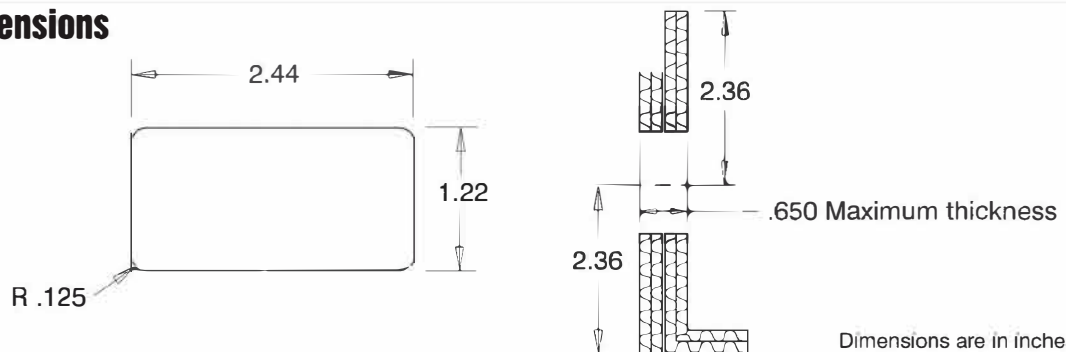
Product Dimensions



Part Tolerance = +/- .03 inches (.75 mm)

Dimensions are in inches

Die-cut Dimensions



Dimensions are in inches

Packaging Information

Carton Pack: 500
Carton Weight: 25 lbs