



# LUMINA PACKAGING

*The Future Is Bright With Us*

3116 South Mill Ave Ste 140, Tempe AZ 85282 U.S.A.

PH (623) 224-7231 / FX (623) 321-3759 EM [support@LuminaPackaging.com](mailto:support@LuminaPackaging.com)

[WWW.LUMINAPACKAGING.COM](http://WWW.LUMINAPACKAGING.COM)

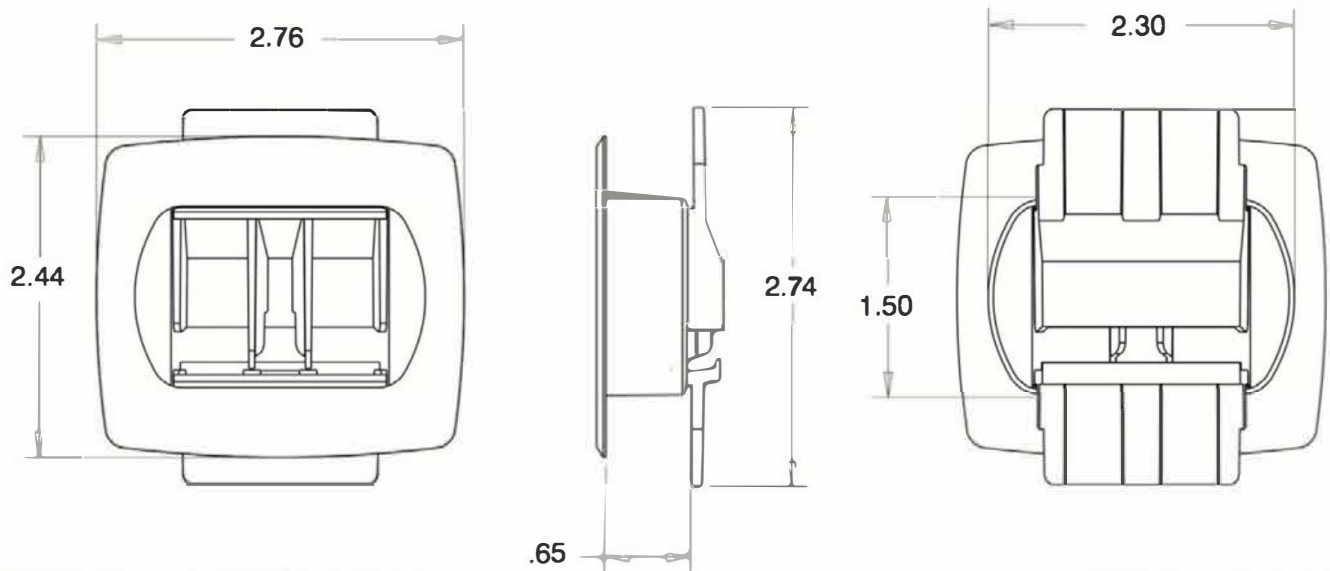
## Product Description

### LUMICLIP-HP601W DOUBLE WALL BOX CLIP

Size: 2.76 inches x 2.44 inches

Material: Polypropylene

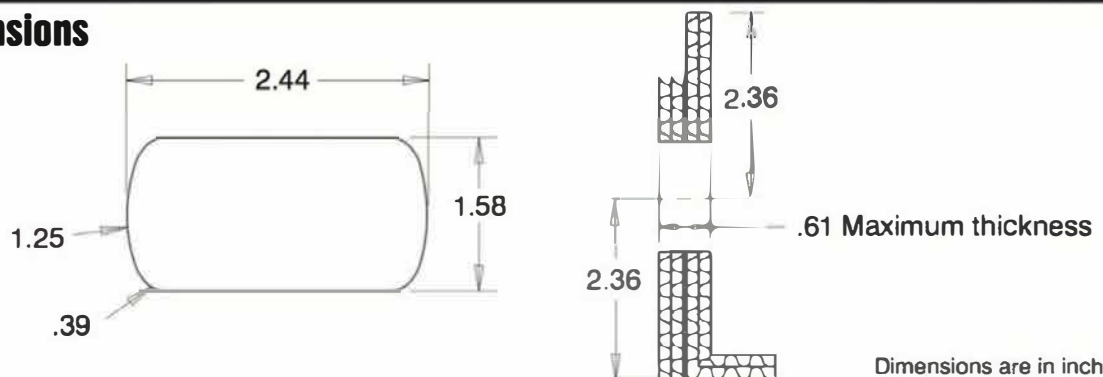
## Product Dimensions



Part Tolerance = +/- .03 inches (.75 mm)

Dimensions are in inches

## Die-cut Dimensions



Dimensions are in inches

## Packaging Information

Carton Pack: 700  
Carton Weight: 25 lbs