



# LUMINA PACKAGING

*The Future Is Bright With Us*

3116 South Mill Ave Ste 140, Tempe AZ 85282 U.S.A.

PH (623) 224-7231 / FX (623) 321-3759 EM [support@LuminaPackaging.com](mailto:support@LuminaPackaging.com)

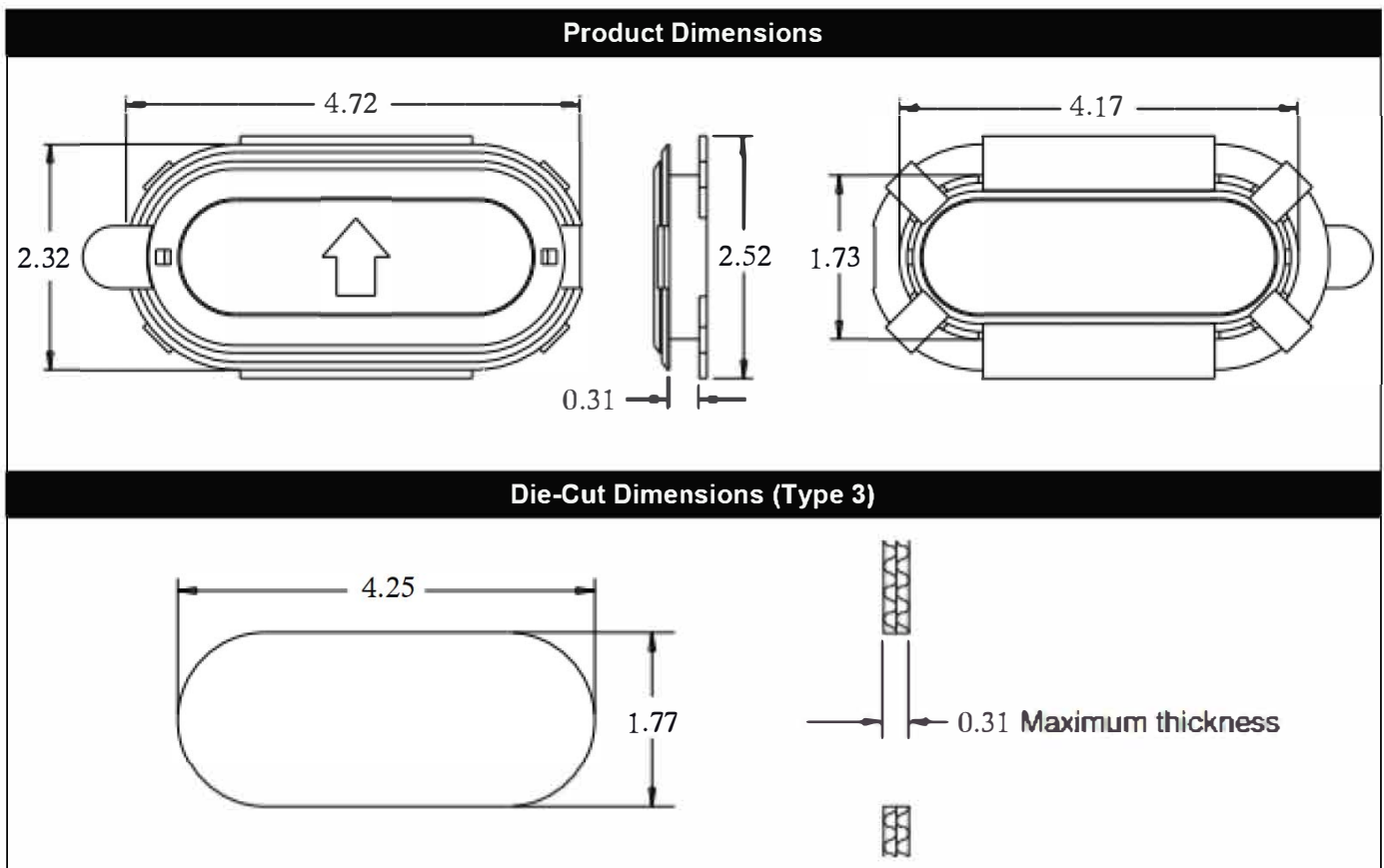
[WWW.LUMINAPACKAGING.COM](http://WWW.LUMINAPACKAGING.COM)

## Specification Sheet

Part Number

**LUMICLIP-PP909**

Product Description	
Item Name	Oval Protective Hand Hole Clip
Size	4.72"(W) X 2.32"(H)
Maximum Board Thickness	.31"
Material	PP
Ordering Information	
PP909WP2	Translucent
Packaging Information	
Carton Pack/MOQ	300 pcs/ctn.
Carton Weight	20 lbs.



Part Tolerance — +/- .03inches (.75mm )

Dimensions are in Inches