



**pura  
Vida**  
ULTRA VIOLET  
WATER STERILIZER

## INSTALLATION INSTRUCTIONS PSII-48PV / PMIII-82PV

**FOLLOW EXACT ASSEMBLY INSTRUCTIONS. IMPROPER ASSEMBLY OF THE QUARTZ TUBE & BULB WILL CAUSE DAMAGE TO THE UNIT AND VOID WARRANTY.**



**WARNING!**

**IMPORTANT SAFETY INSTRUCTIONS:  
READ COMPLETELY BEFORE PROCEEDING**

When using this electrical equipment, adhere to all basic safety precautions. Please observe the following:

- Follow all applicable electrical codes, including proper bonding procedures.
- Turn off power at main source before making any electrical connections or servicing the unit.
- To reduce the risk of electric shock, injury or death, disconnect unit from power supply when servicing.

### **UV EXPOSURE & PROTECTION:**

UV-A and UV-B radiation can have adverse short and long term effects on the eyes and skin. Never look directly at a UV lamp that is connected to a power source. Avoid UV skin exposure at all times

Read and follow these instructions. Ensure manual stays with facility owner for future reference. **Maximum recommended operating pressure is 50 PSI.**

## INSTALLATION:

1. Install the UV unit in a readily accessible and well lit area to facilitate inspection and maintenance. The UV should be installed after the filter and before the heater.
2. Inspect for hidden electrical wiring or plumbing prior to drilling any holes.
3. For vertical installation affix base to the ground if desired. For horizontal installation, attach mounting clips to the wall and unscrew base from chamber (Stand on base while turning unit counter clockwise). Insert chamber (7) through mounting clips. An Allen Key or Hex Bit (H5 - 5mm or 3/16") is required to attach mounting clips.
4. Connect plumbing. For horizontal and vertical installation, outlets are dual purpose and can be used for incoming or outgoing water flow. Unions (13) should be plumbed using an approved PVC glue.
5. Install the quartz tube & perform a pressure test. (Quartz tube and lamp are packaged separately to prevent damage). Avoid touching the sides of the quartz tube and lamp. Handle by the ends only.  
Extreme care should be taken when handling the quartz tube.

- a) Remove the top nut (2).
- b) **Carefully** slide the quartz tube (6) containing the spring (10) into the chamber (7). **Ensure the spring is inside quartz tube at all times during operation.** Do not drop in. Make sure the quartz tube is lowered directly in the centre of the chamber. (Figure 1) Ensure the quartz tube is fully inserted into the holder in the base.

When the quartz tube is correctly installed exactly 14mm (9/16") of glass is exposed above the unit. **The nut will not thread on if quartz tube is installed incorrectly.**

- c) Slide the O-Ring (5) onto the open end of the quartz tube. O-Ring should rest on top of threaded fitting when properly installed. (Figure 2)
  - d) **PERFORM A PRESSURE TEST**(recommended): Place the Pressure Test Cap (15) on top of unit in place of Nut. Turn on water to test for leaks and listen to ensure quartz tube is secure and not moving in unit.
  - e) Remove Pressure Test Cap, ensure quartz tube is in correct position (figure 1) and return top nut (2) into original position. Hand tighten on to top of chamber.
6. Installing the Lamp
    - a) Partially slide the lamp (4) into the quartz tube (6) through the top nut (2) leaving approximately 2" exposed.
    - b) Carefully connect the lamp (4) to the socket (3) on end of the ballast (8).
    - c) Fully lower the lamp (4) until it touches the spring(10) at the bottom of the quartz tube (6). (Figure 3)
    - d) Hand screw the waterproof strainer (1) to the top nut (2).
  7. Turn on water and test for leaks.
  8. Plug the ballast (8) into an electrical outlet. An approved GFCI is required. Ballast (8) should be wall mounted with supplied clip (9). You can check if the lamp is illuminated by looking at the drain plug (12). (Waiting until night is recommended as it can be difficult to see the blue light during the day)

**IMPORTANT: This UV system operates independently of pool pump in plug in applications unless using a dual socket timer (to plug in pump and UV unit).**

- a) Ensure UV unit is off when pump is off.
- b) Wire UV unit in conjunction with pool pump in hard wire applications.

## WARNING!

Figure 1

Correct

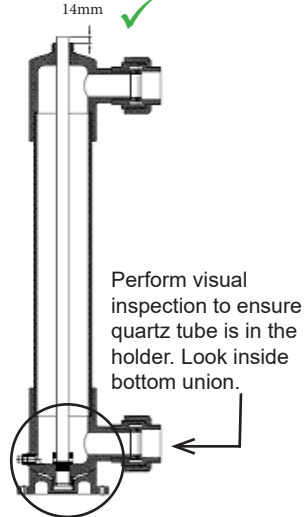


Figure 2

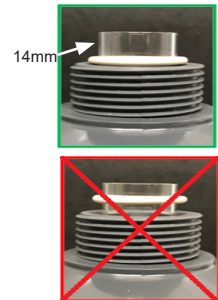
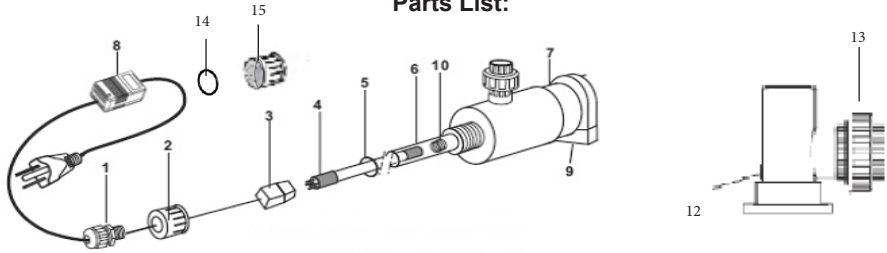


Figure 3



## Parts List:



Item	Description	PSII-48PV Part #	PMIII-82PV Part #
1	Water Proof Strainer	PG13.5	PG13.5
2	Top Nut	01A	01A
3	Lamp Socket & Lead Wire	4P180	4P180
4	UV Lamp	T565HO	T585
5	Rubber O-Ring	21835	21835
6	Quartz Tube	245750	245910
7	Chamber	UP89730	UP114890
8	Ballast	UV-8/88	UV-8/88
9	Mounting Clip	89123	114123
10	Spring	1343	1315
12	Drain Plug	1/2"S	1/2"S
13	2" Union Kit	PVUK2	PVUK2
14	O'Ring for Inside Top Nut	PVNO-1	PVNO-1
15	Pressure Test Cap	01A-PTC	01A-PTC

## REPLACING UV LAMP AND CLEANING THE QUARTZ TUBE:

Avoid touching the sides of the quartz tube and lamp, handle by the ends only.

1. Disconnect power source.
2. Turn water off to relieve pressure and allow unit to drain. Unscrew unions (13) if needed.
3. Remove water proof strainer (1).
4. Carefully withdraw lamp (4) approximately 2" from chamber.
5. While holding the lamp end, slowly and carefully unplug lamp (4) from the socket (3). Pull lamp out of chamber by lifting lamp straight out of unit. Dispose of lamp according to your local regulatory laws.
6. Unscrew the nut (2).
7. Carefully remove the O-ring (5) from the end of the quartz tube (6).
8. Carefully remove the quartz tube (6) from the chamber (7) and clean with glass cleaner.
9. To reinstall follow these steps in reverse.

**IMPORTANT:** Ensure to reinsert the quartz tube correctly leaving only 14 mm of glass exposed. See Figure 1.

## MAINTENANCE & TROUBLESHOOTING:

- Quartz tube is to be cleaned during bulb replacement with glass cleaner.
- UV lamp replacement is recommended every 10,000 hours of operation or every 2 years.
- For purchasing replacement parts please contact your local dealer.
- If light on ballast turns red, bulb and quartz tube should be inspected and replaced if necessary.
- For winterization follow instructions on page 4.
- If quartz tube is properly inserted (See Installation step 5b) but a low rattle sound persists, there may be a 1-2mm gap between the holder and the quartz tube. The water pressure may cause the tube to lift and rattle. An additional o'ring (not included) can be inserted into the top nut to eliminate this gap. If you require this part call 1-855-881-0889

## WINTERIZING INSTRUCTIONS:

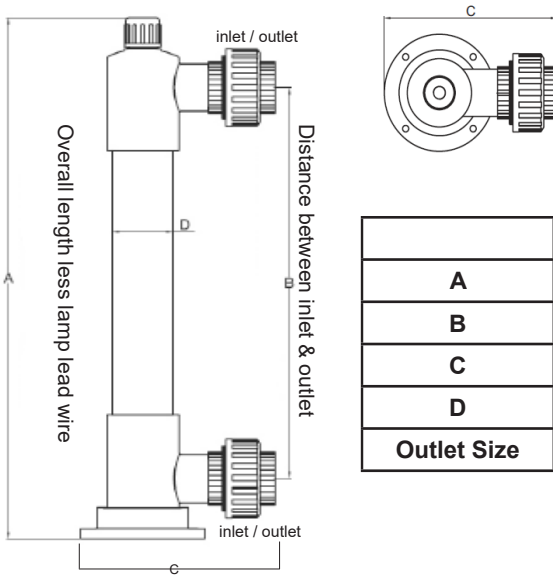
Recommended operating temperature is between 2°C - 40°C (36°F - 104°C). Do not allow unit to freeze before fully draining.

1. Disconnect from power source.
2. Unscrew unions (13) for inlet/outlet water flow.
3. Carefully unscrew the drain plug (12) counter clockwise. (See Figure 4)
4. Tip the unit on an angle to remove any standing water.
5. Storing the entire unit in a dry and warm location is highly recommended.

Figure 4



## Dimensions:



	PSII-48PV	PMIII-82PV
A	31.7"	38"
B	23.8"	29.3"
C	10.75"	10.25"
D	3.5"	4.5"
Outlet Size	1.5/2"	2"

## WARRANTY POLICY

### VESSEL AND BALLAST

We guarantee that the vessel and electrical ballast will be free from defects in material and workmanship for a period of two years from the date of install.

### UV LAMP AND QUARTZ TUBE

We guarantee that the UV lamp and quartz tube will be free from defects in material and workmanship for a period of one year from date of install.

Within the specific guarantee periods we shall replace such products which are determined to be defective.

This guarantee will not apply to any product that has been modified, repaired by unauthorized personnel, or improperly installed or winterized. The buyer should examine the products promptly after purchase.

For warranty questions contact Select Pool Products at [info@selectpoolproducts.ca](mailto:info@selectpoolproducts.ca) or 1-855-881-0889



104A - 3345 North Service Road  
Burlington, ON, L7N 3G2  
1-855-881-0889  
[info@selectpoolproducts.ca](mailto:info@selectpoolproducts.ca)  
[www.selectpoolproducts.ca](http://www.selectpoolproducts.ca)