

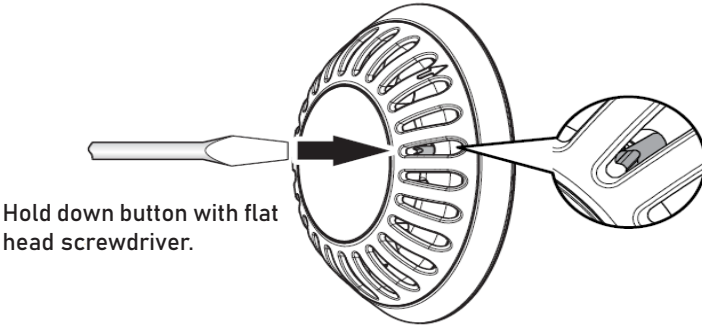


atom

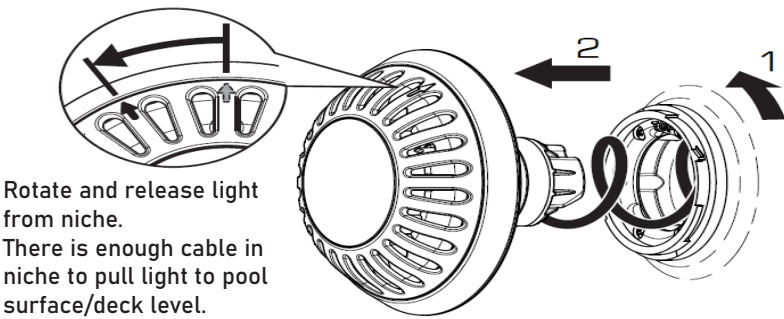
A technical diagram of a bulb base. It shows a circular base with a grid of small circles in the center and a ring of larger, teardrop-shaped slots around the perimeter. A paperclip is shown inserted into one of the slots, with an arrow pointing upwards from its top end. A white rectangular box with a black border is overlaid on the diagram, containing the text 'BULB REPLACEMENT'.

BULB REPLACEMENT

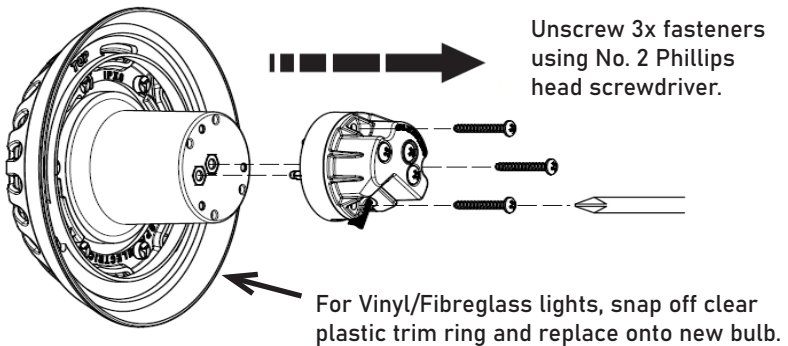
1. Push and hold red button with flat head screwdriver.



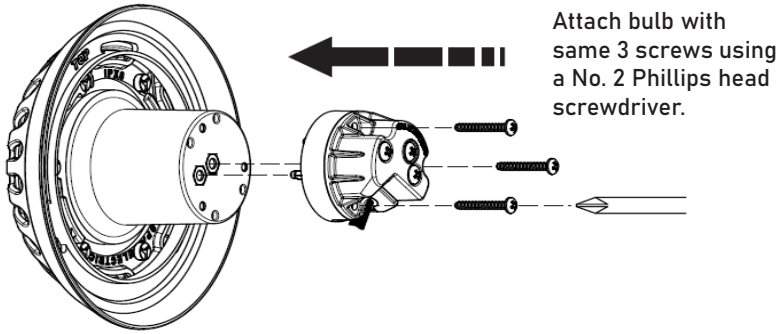
2. While continuing to hold button, rotate counter-clockwise & remove bulb from locking ring.



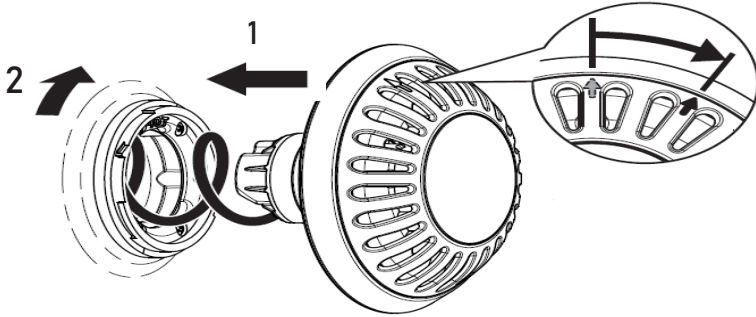
3. Remove plug from light.



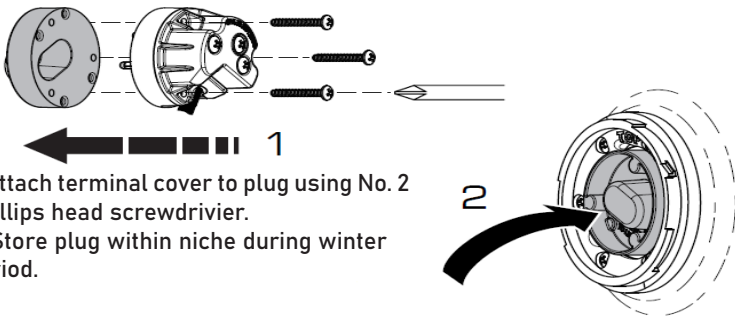
#### 4. Attach new bulb.



#### 5. Insert bulb back into locking ring and rotate clockwise until bulb clicks/locks into place.



**WINTERIZING:** Follow steps 1 - 3 and install supplied red winterizing cap to replace bulb. Store bulb indoors to optimize product longevity.



1. Attach terminal cover to plug using No. 2 Phillips head screwdriver.
2. Store plug within niche during winter period.

For syncing light with automation or with existing lights please see our Multi Plus Set Up guide enclosed or visit [spaelectrics.ca](http://spaelectrics.ca) for tutorials.



Proudly manufactured by

**Spa** Electrics



[www.spaelectrics.ca](http://www.spaelectrics.ca)