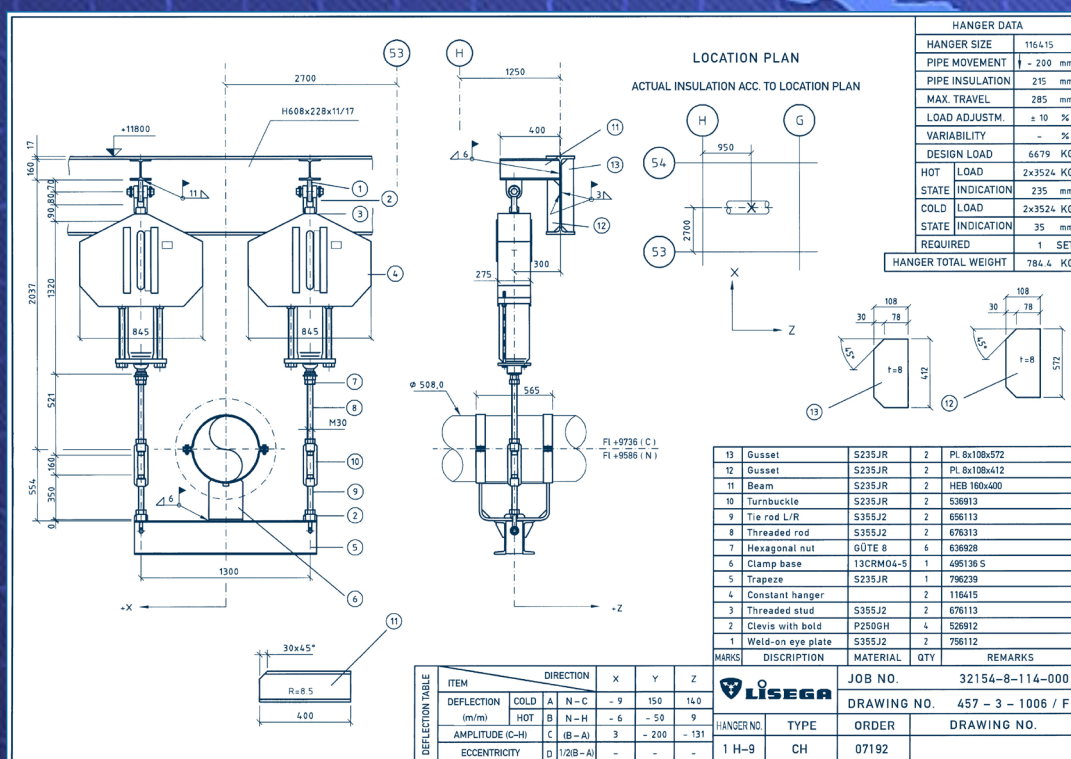
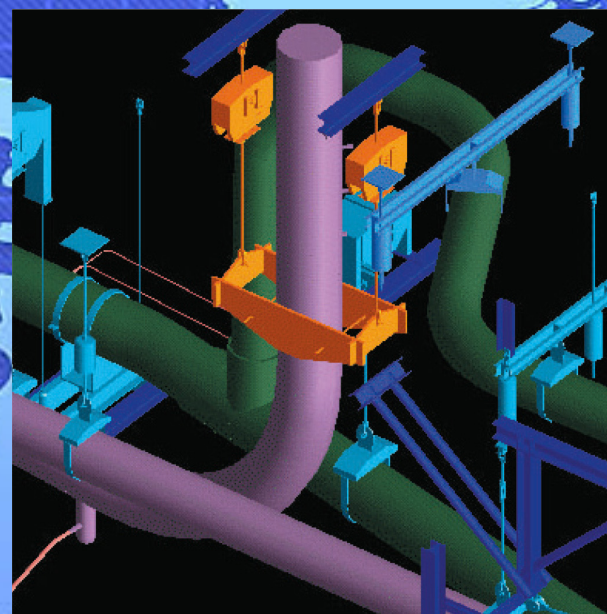


Do you require pipe supports on your project but are short on engineering staff? LISEGA can assist you with our full complement of engineering services including pipe stress analysis, vibration control, FEA, pipe support design, 2-D drawings, 3-D modeling, and field services.

Our proprietary support design software exports into your 3-D model with exact dimensions for error-free clash detection.



Individual support drawings detailed to your specifications can include loads, movements, bill of materials, installation dimensions, field weld sizes, offsets, location plan, and notes.

Contact us to see how our experts can assist you on your project.



LISEGA

performance with system

LISEGA keeps large inventories in both our Tennessee & Houston operations to ensure reliable pipe support delivery.



Advanced product designs and manufacturing techniques allow us to build the highest quality supports in the business while remaining price competitive.

From the quote stage to final plant commissioning LISEGA has the professionals in place to assist you every step of the way.

LISEGA Inc

370 E. Dumplin Valley Road

Kodak, TN 37764 USA

Phone: +1 865-940-5200

info@us.lisega.com

www.lisega.com

Come see us at

Booth #7029