

SURGICAL

CATALOGUE



PRODUCING QUALITY GOODS FOR 15 YEARS

We are Producers of quality surgical, dental, beauty and general stainless steel products in singleuse and multiuse type. We guarantee on our products and facilitate our customers with easy return policies.



For more information visit www.mjwintl.net

Manufacturers and Exporters of Surgical, Dental & Beauty Instruments

Head Office

BI24S 88/8 Bara Pathar
Christian Town, Sialkot
Pakistan (51310)
0092 524 264829

Branch Office

Flat 1, Kinsale Grange
57 Langley Park Road,
Sutton-Surrey SM2-5GZ UK.
Mob: 00447701084895

Contact Details

Email: info@mjwintl.net
mjwinternational2005@gmail.com
Mobile: 0092 321 712 1510
Mobile: 0092 333 371 3443



FACTORY OVERVIEW



INTRODUCTION

for fifteen years MJW Surgical has been supplying the Healthcare Industry with finest quality surgical instruments & innovative products for surgery. With our extensive knowledge and experience in the medical field, our products are specifically designed to offer both exceptional quality and value for money to Healthcare Professionals and Organisations. During the last few years there have been numerous developments within our company, with the Introduction of many new innovative products and services to our portfolio, which has allowed MJW Surgical to make a significant impact on the healthcare market. Our head office is based in Sialkot, Pakistan housing all Customer Service and Administrative functions. Additionally, we have an office in the UK covering Europe and the USA. Our range of specialised surgical instrumentation is uniquely manufactured in Sialkot to the highest standards of craftsmanship. Our goal is to continue to develop new, innovative medical products that will enhance the quality of surgical procedures.

OUR SERVICE COMMITMENT

QUALITY of All surgical instruments and products manufactured and distributed by MJW Surgical conform to the highest European and International Standards with all products bearing the relevant CE mark for their classification.

GUARANTEE OF SATISFACTION

All products undergo rigorous quality control assessment and are fully guaranteed. Any product proving unsatisfactory in normal use will be replaced or repaired free of charge following inspection.

VALUE FOR MONEY

We believe our surgical instruments and products to be competitively priced representing excellent value for money. We are happy to offer discounts for contracts.

QUOTATION SERVICE

We offer a no obligation quotation service whereby we will specify, code and price your requirements using our extensive product library which enables us to cross-reference most products.

PRODUCT INFORMATION

Sectional catalogues are available for most surgical specialities.

INNOVATION

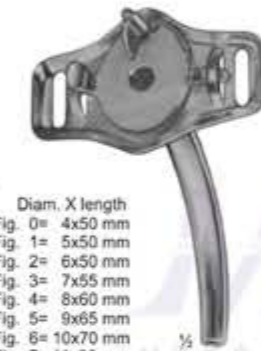
Our objective is to work in close conjunction with all medical and nursing personnel to develop new and innovative products and services.

| SECTION | PAGE |
|---|------------|
| Cardiovascular, Tracheotomy & Thoracic Surgery | 21 255-309 |

| Fig. | 0 | 1 | 2 | 3 | 4 | 5 | 6 | 7 | 8 | 9 | 10 |
|------------|----|----|----|----|----|----|----|----|----|----|----|
| Ø mm | 4 | 5 | 6 | 7 | 8 | 9 | 10 | 11 | 12 | 13 | 14 |
| Charr./Fr. | 12 | 15 | 18 | 21 | 24 | 27 | 30 | 33 | 36 | 39 | 42 |



20-137
UECKERMANN-DENKER
Cryothyrotomy trocar
with silver cannula
130mm



| Diam. | X length |
|-----------------|----------|
| 20-138 Fig. 0= | 4x50 mm |
| 20-139 Fig. 1= | 5x50 mm |
| 20-140 Fig. 2= | 6x50 mm |
| 20-141 Fig. 3= | 7x55 mm |
| 20-142 Fig. 4= | 8x60 mm |
| 20-143 Fig. 5= | 9x65 mm |
| 20-144 Fig. 6= | 10x70 mm |
| 20-145 Fig. 7= | 11x80 mm |
| 20-146 Fig. 8= | 12x85 mm |
| 20-147 Fig. 9= | 13x90 mm |
| 20-148 Fig. 10= | 14x90 mm |

20-138 - 148
LUER
German silver



20-149 - 158
JACKSON
German Silver



| Diam. | X length |
|----------------|----------|
| 20-149 Fig. 0= | 4x50 mm |
| 20-150 Fig. 1= | 5x48 mm |
| 20-151 Fig. 2= | 6x58 mm |
| 20-152 Fig. 3= | 7x70 mm |
| 20-153 Fig. 4= | 8x78 mm |
| 20-154 Fig. 5= | 9x84 mm |
| 20-155 Fig. 6= | 10x84 mm |
| 20-156 Fig. 7= | 11x86 mm |
| 20-157 Fig. 8= | 12x88 mm |
| 20-158 Fig. 9= | 13x90 mm |



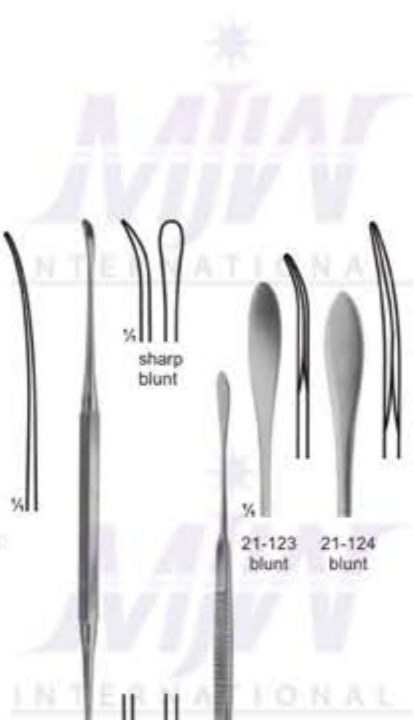
| Diam. | X length |
|-----------------|----------|
| 20-159 Fig. 1= | 5x48 mm |
| 20-160 Fig. 2= | 6x58 mm |
| 20-161 Fig. 3= | 7x70 mm |
| 20-162 Fig. 4= | 8x78 mm |
| 20-163 Fig. 5= | 9x84 mm |
| 20-164 Fig. 6= | 10x84 mm |
| 20-165 Fig. 7= | 11x86 mm |
| 20-166 Fig. 8= | 12x88 mm |
| 20-167 Fig. 9= | 13x90 mm |
| 20-168 Fig. 10= | 14x90 mm |

20-159 - 168
JACKSON
Stainless Steel





21-118 185 mm
21-119 215 mm
21-120 230 mm
21-121 HALLÉ 180 mm



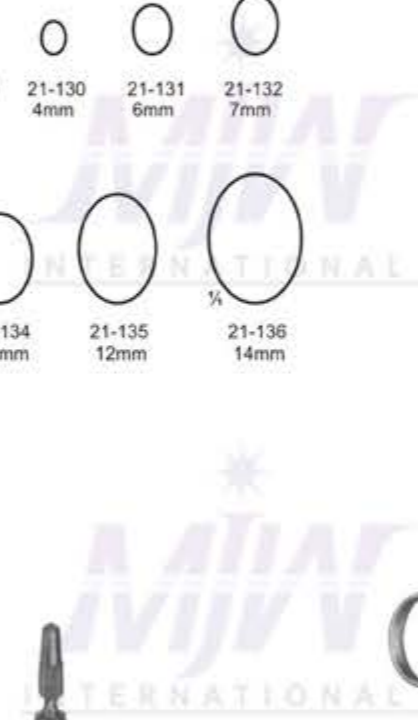
21-122 FREER sharp/blunt 185 mm
21-123 - 124 SCHMID blunt 140 mm / 235 mm



21-125 DAVIS 245 mm
21-126 - 127 TOENNIS 240 mm



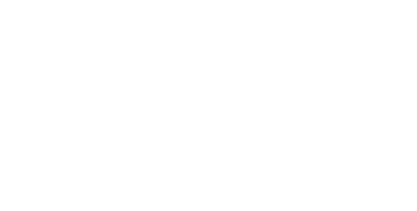
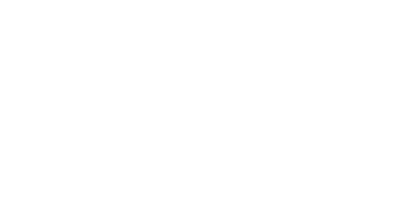
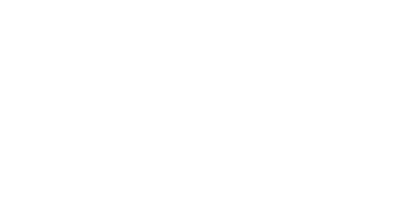
21-128 2 mm
21-129 3 mm
21-130 4 mm
21-131 6 mm
21-132 7 mm
21-133 8.5 mm
21-134 10 mm
21-135 12 mm
21-136 14 mm
21-128 - 136 Endarterectomy strippers 550 mm
21-137 Handle for(21-128-136) 110 mm



21-138 - 139 RUMEL-BELMONT 325 mm
21-138 - 4,0 mm Ø
21-139 - 6,4 mm Ø



21-140 - 141 Guide only





21-142
SCHULZ
Biopome, with flexible Shaft, 510 mm long,
with round jaws 3 mm diam.
Biopsy forceps, for biopsy from the right atrium
through cava jugularis, prior to heart implantations.



21-144
COOLEY
Dilator for
mitral valve
for children



21-143
TUBBS
Dilator for
mitral valve



| Tunnelling tubes with conical tip | Length 300mm | Length 400mm | Length 500mm |
|--------------------------------------|-----------------|-----------------|-----------------|
| 12mm | 21-146 | 21-149 | 21-152 |
| 14mm | 21-147 | 21-150 | 21-153 |
| 17mm | 21-148 | 21-151 | 21-154 |
| Handle Forceps | 21-155 | 21-156 | 21-157 |

21-145
Handle

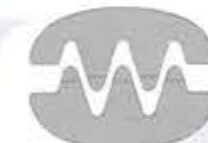
21-155
Forceps



DE BAKEY
21-158
1 : 2 rows of teeth



DE BAKEY
21-159
2 : 3 rows of teeth



COOLEY
21-160
2 : 2 rows of teeth



DARDIK
21-161
2 : 3 rows of teeth





DE BAKEY

DE BAKEY



GLOVER

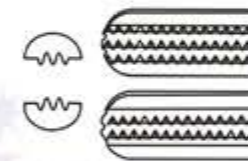
GLOVER



DE BAKEY
21-166 16 cm
21-166A 20 cm
21-166B 24 cm
21-166C 30 cm

DE BAKEY
21-167 16 cm
21-167A 20 cm
21-167B 24 cm
21-167C 30 cm

COOLEY
21-168 16 cm
21-169 20 cm



Toothings according to De Bakey:
The traditional ATRAUMA clamps.
Apart from Cardio-Vascular Surgery.
They are also approved for other
atraumatic application and surgery
techniques. Firm and precise seizing
of tissues. Safe and delicately controlled
clamping effect.

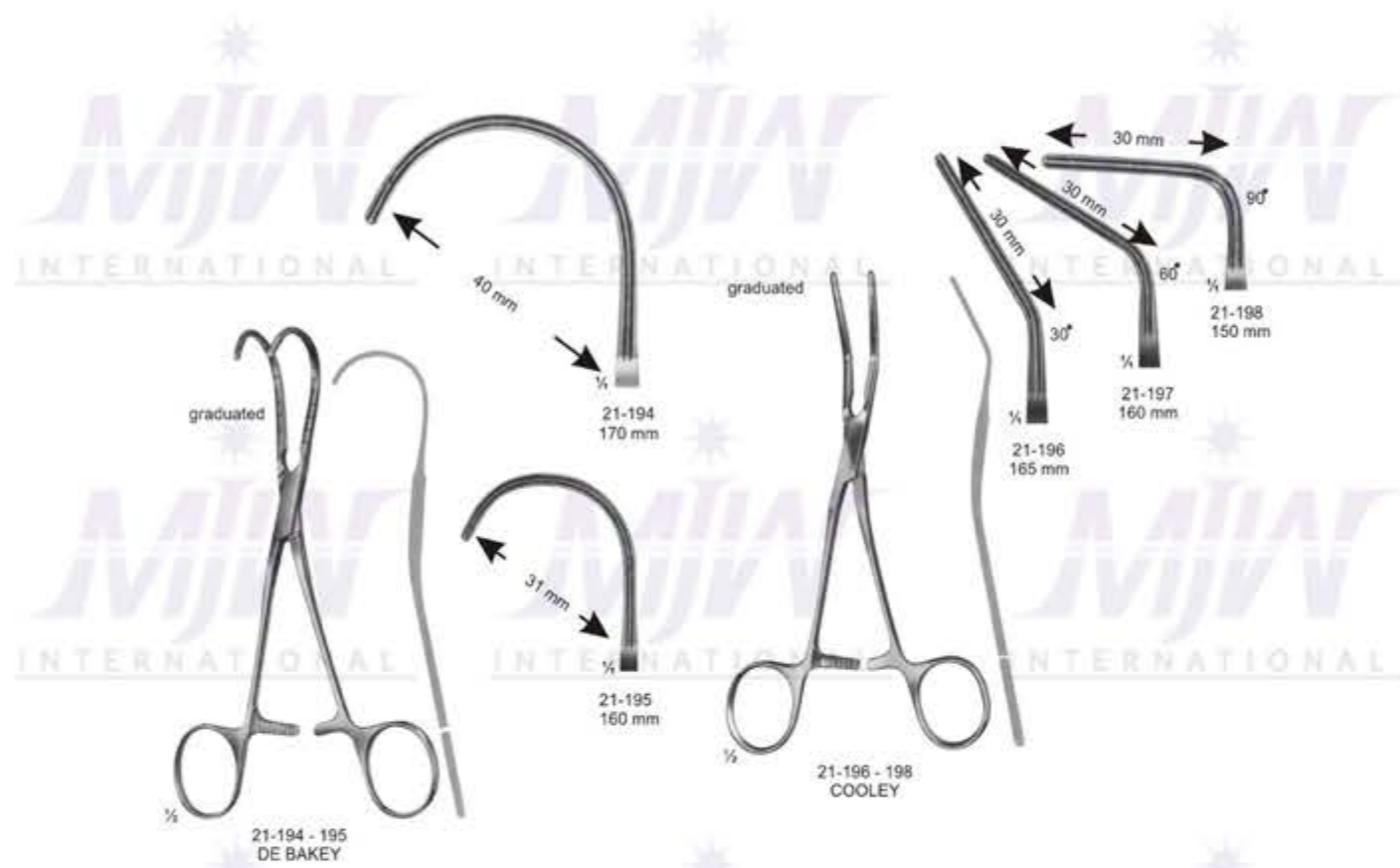


DE BAKEY
21-170 16 cm
21-171 20 cm
21-172 24 cm
21-173 30 cm

DE BAKEY
21-174 16 cm
21-175 20 cm
21-176 24 cm
21-177 30 cm

DE BAKEY
21-178 16 cm
21-178A 20 cm
21-179 24 cm
21-180 30 cm

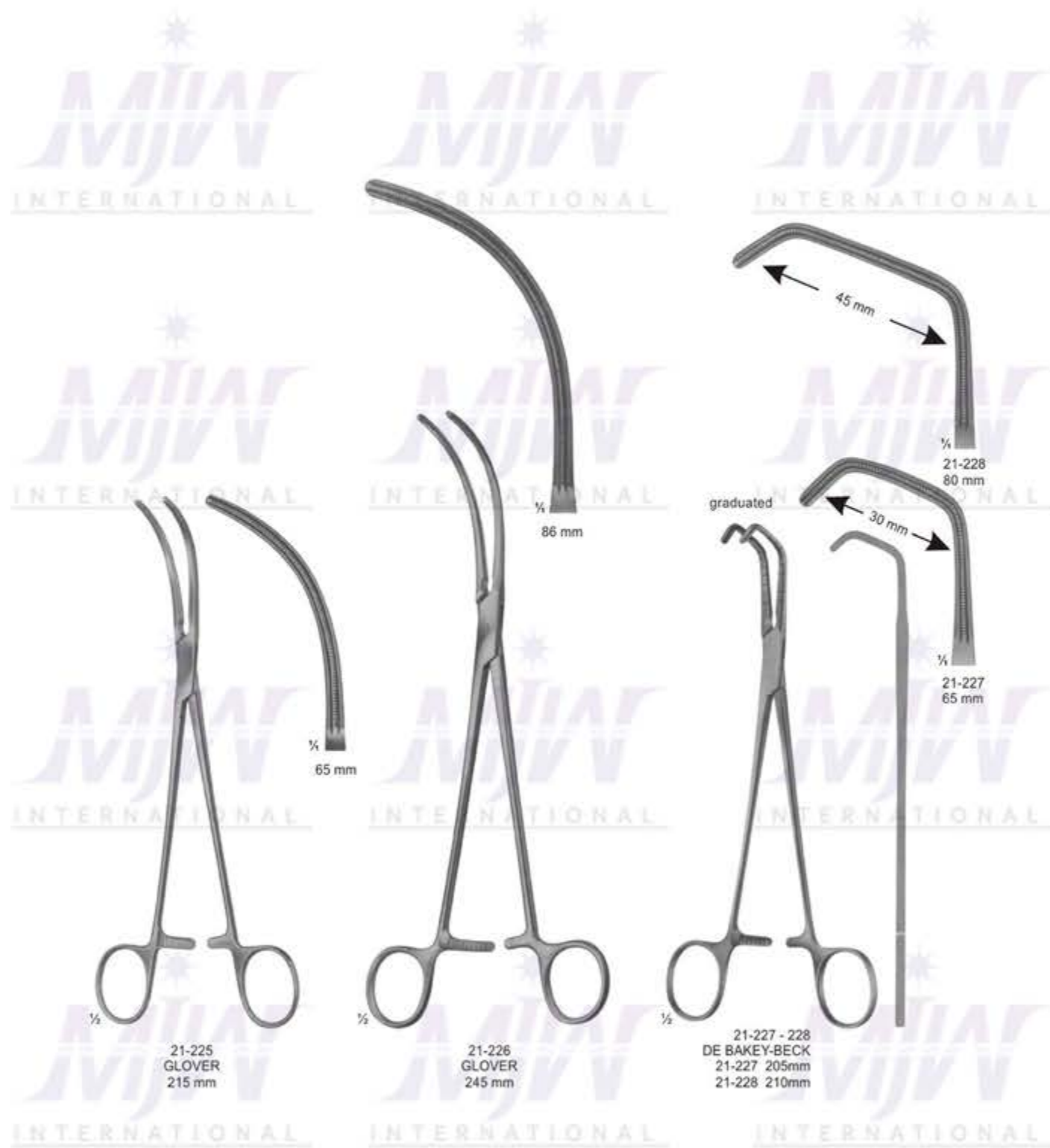




Mosquito Forceps

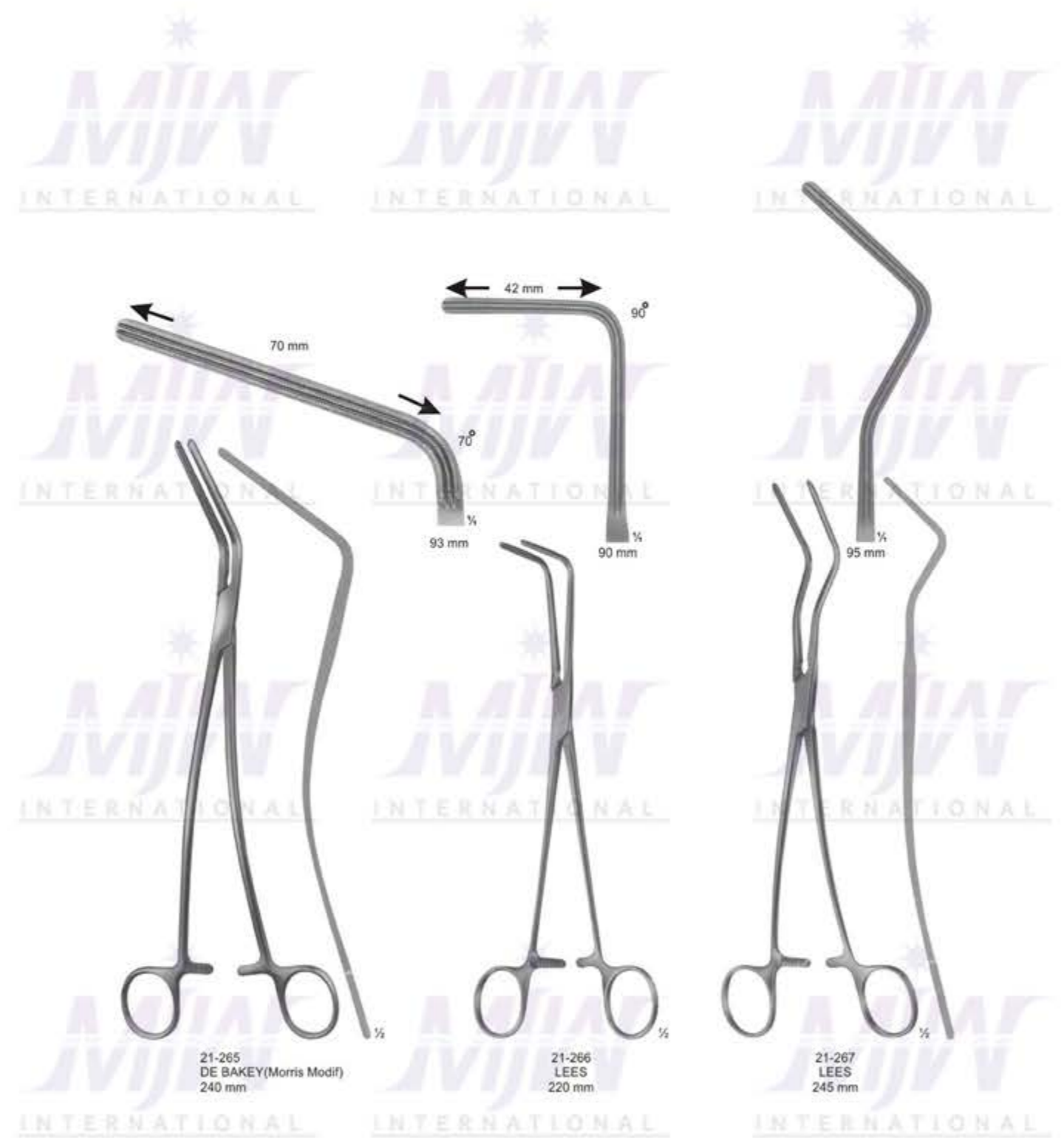
















21-278
DIETRICH
210 mm



21-279
SUBRAMANIAN(Modif)
155 mm

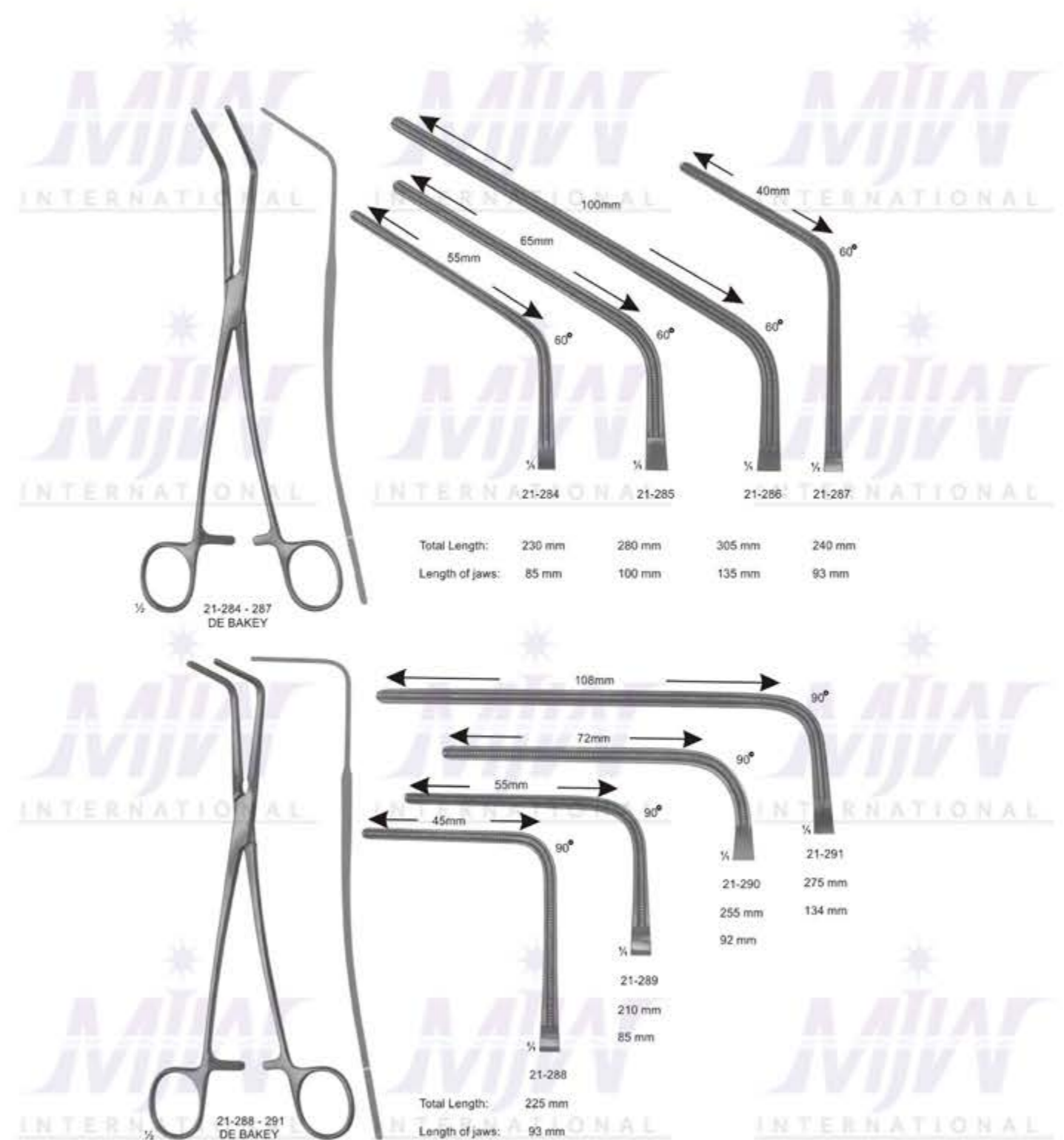
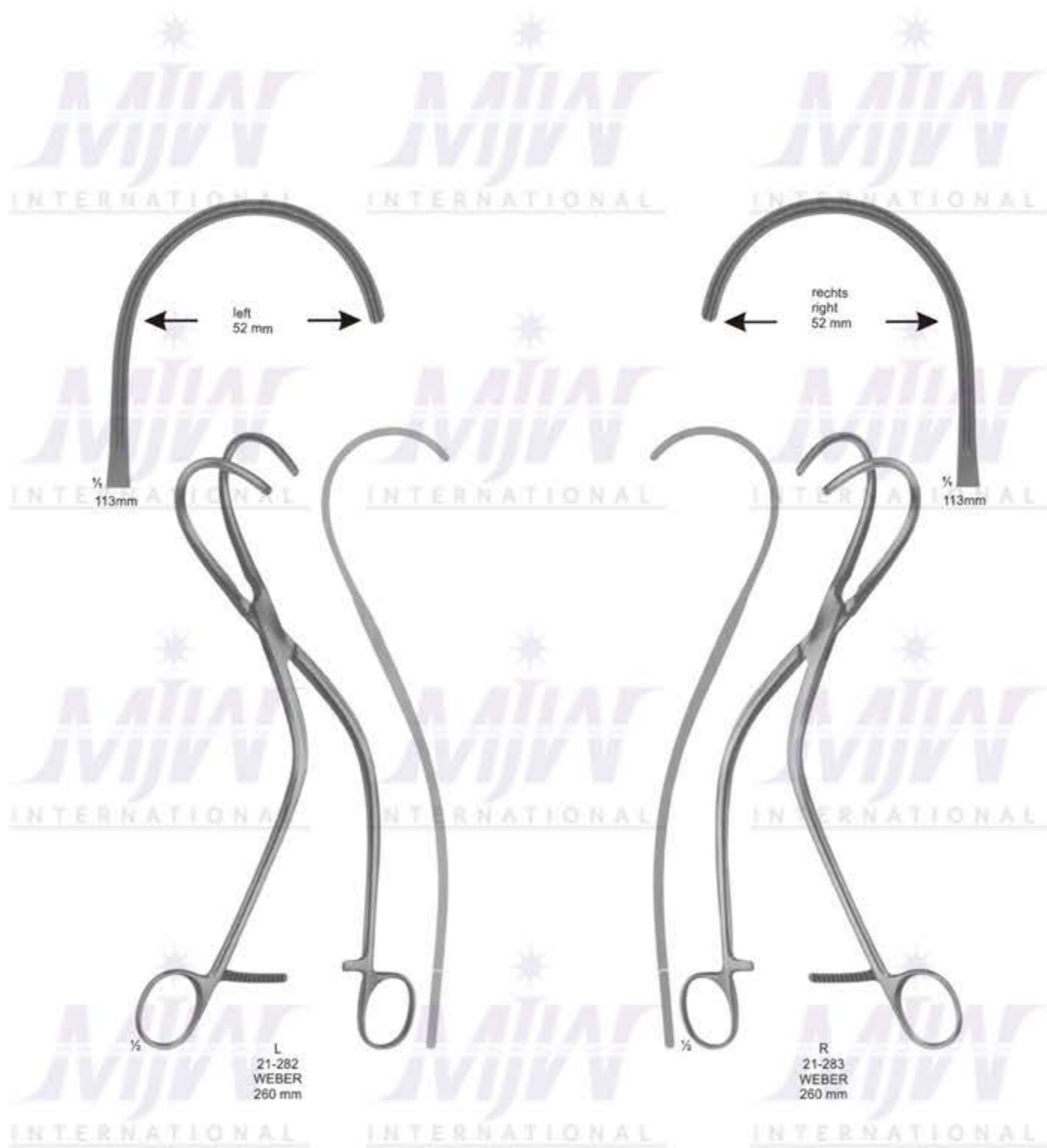


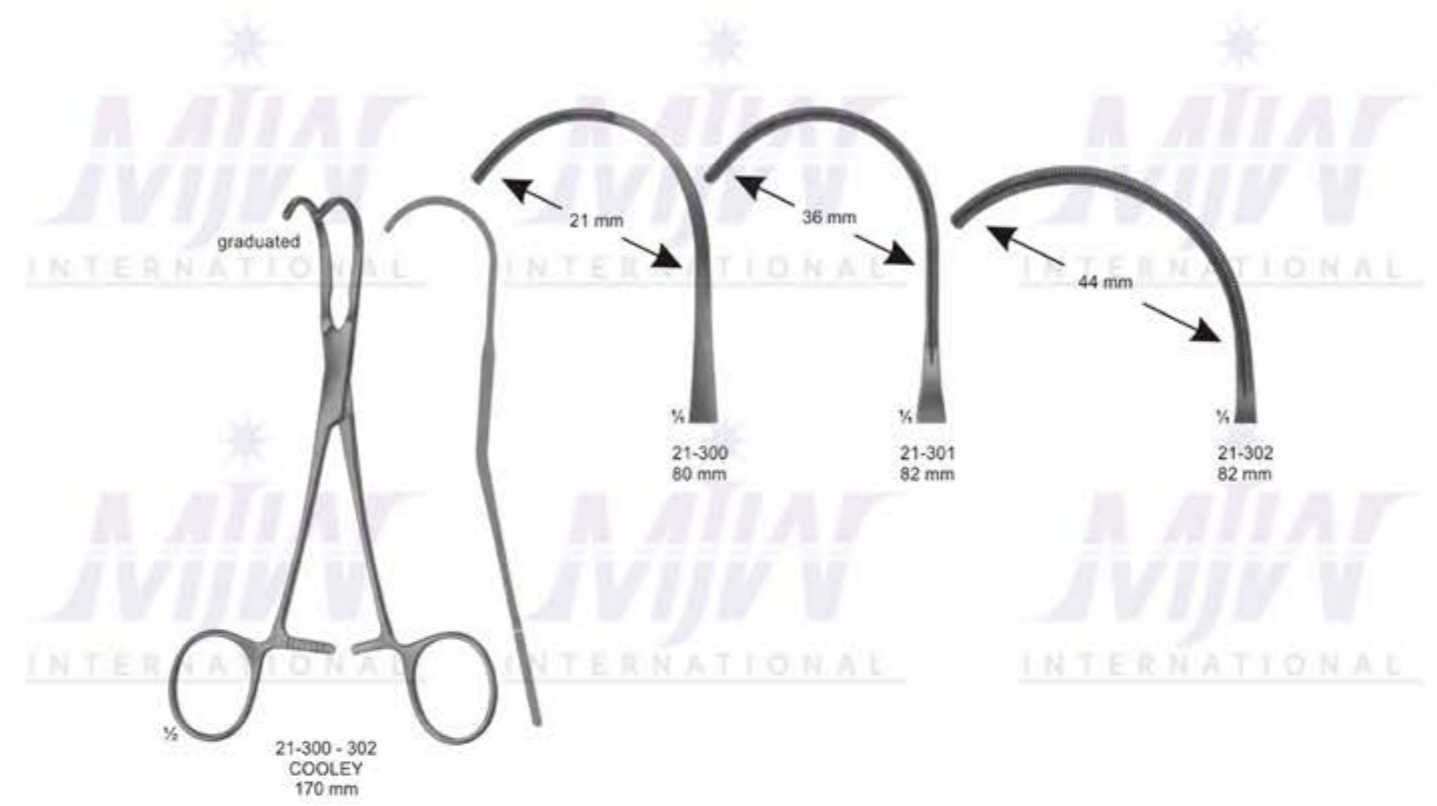
21-280
OCHSNER
260 mm

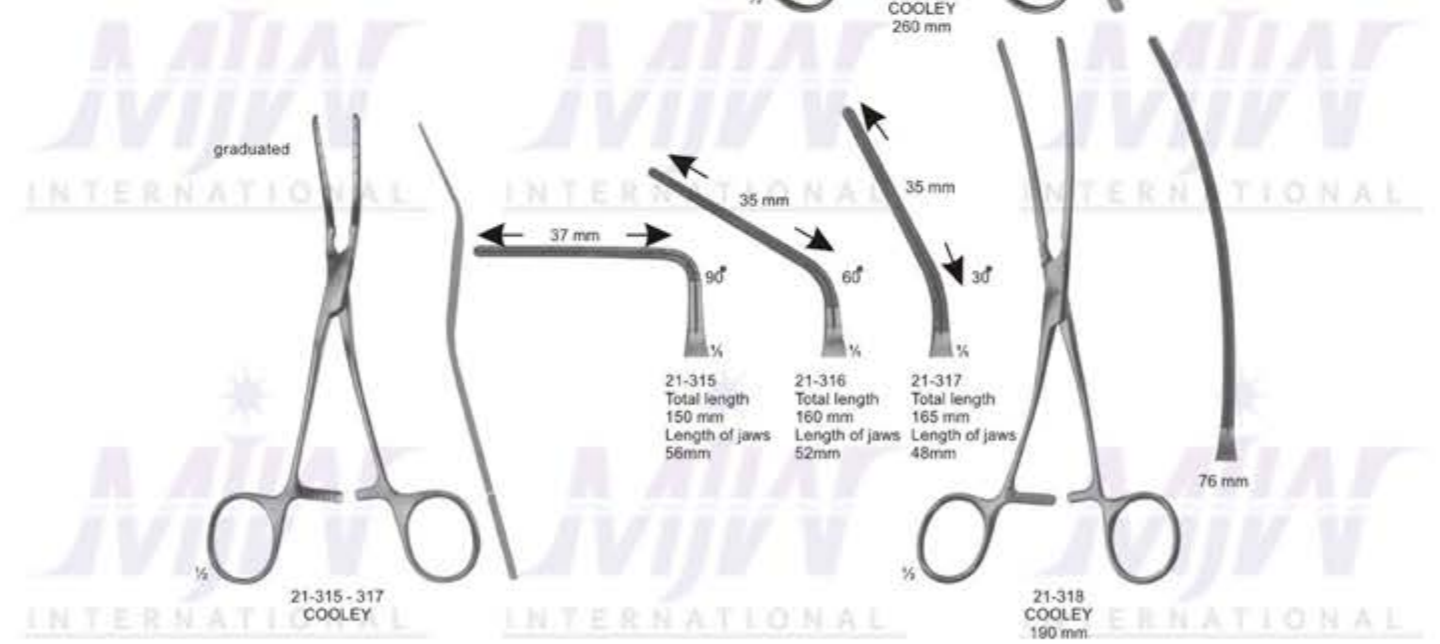


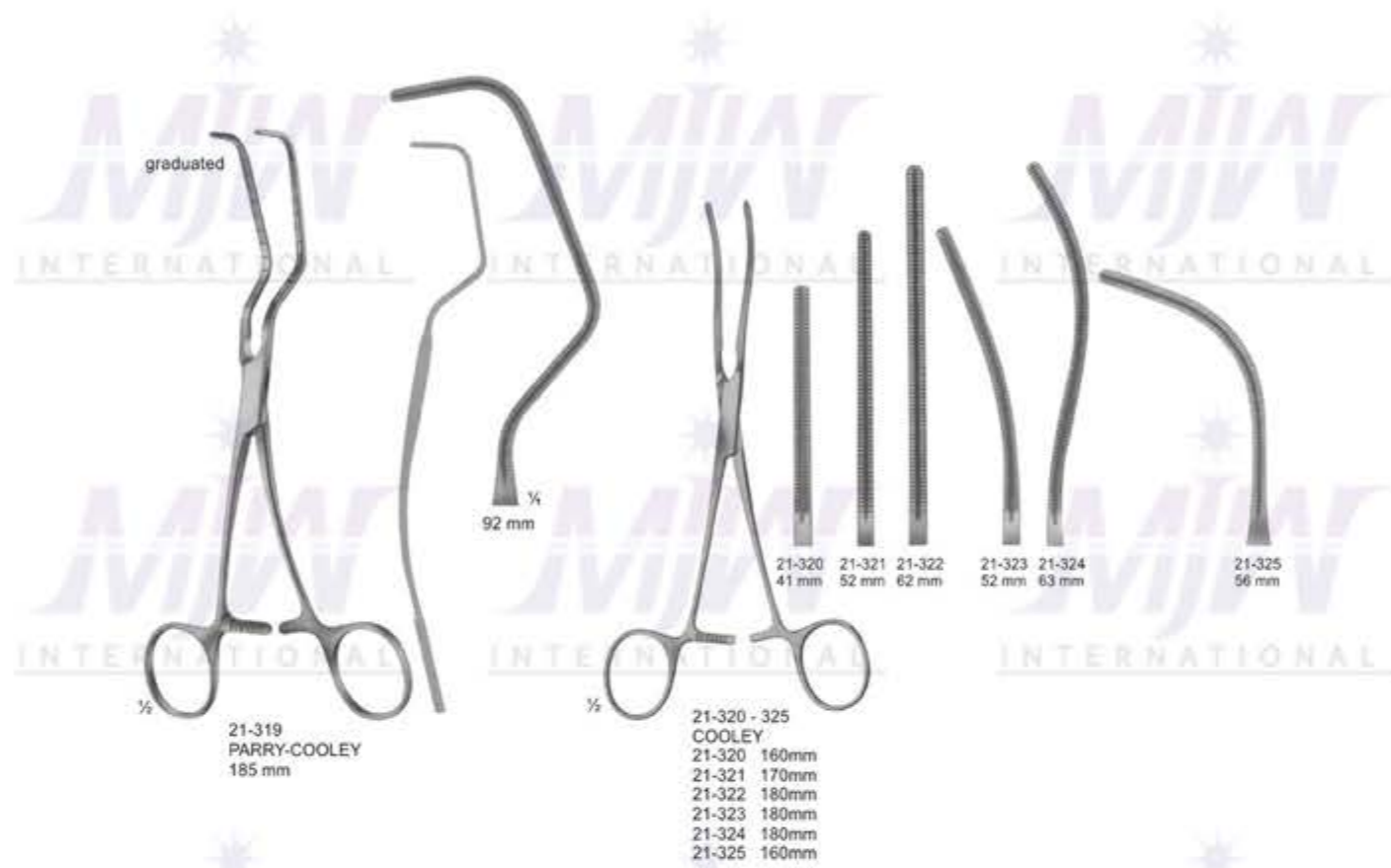
21-281
DE BAKEY
265 mm

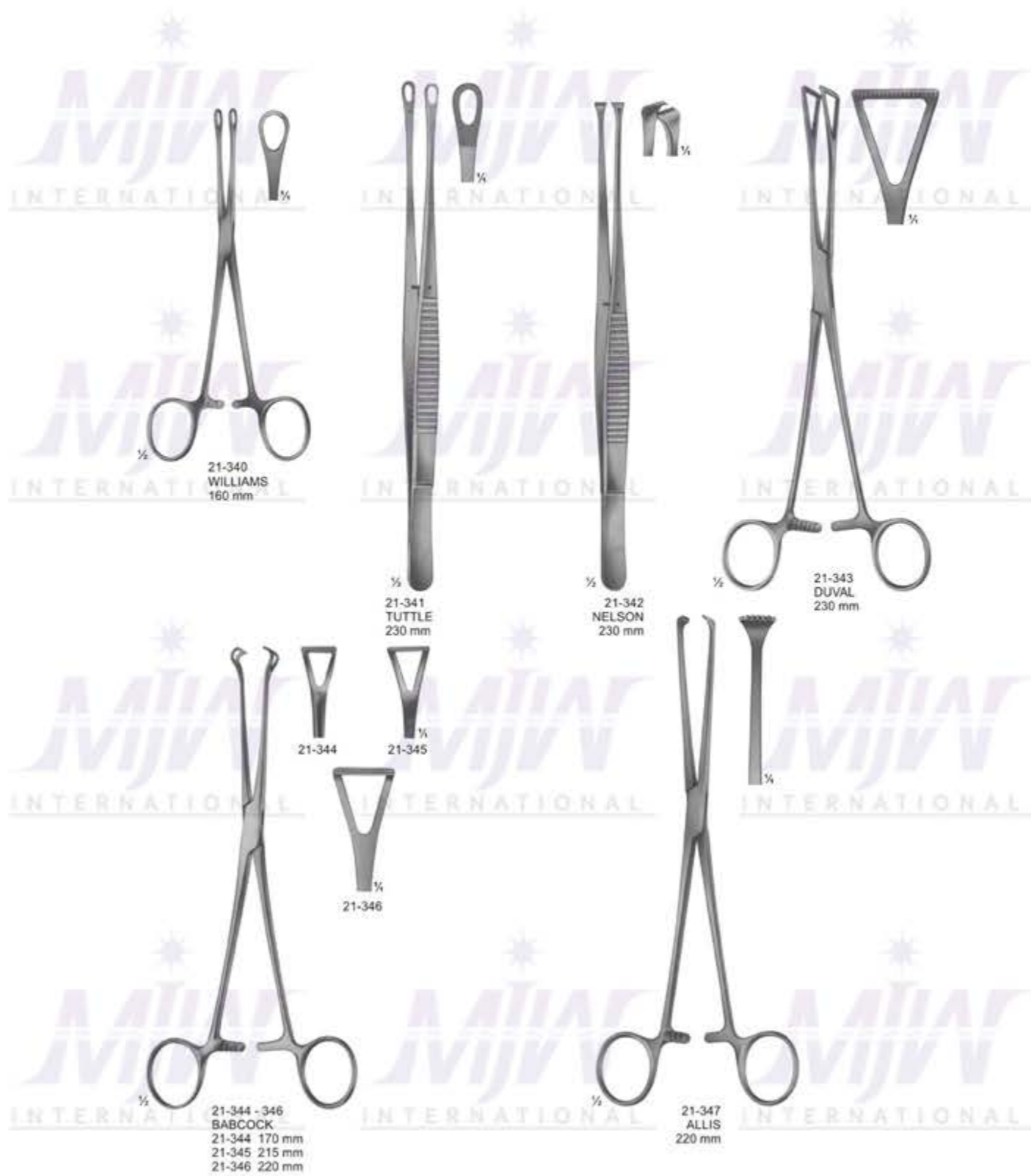














21-352
MIXTER
230 mm



21-353 - 354
MIXTER

21-353
220 mm 21-354
250 mm



21-355
HOEPFNER
Vessel clamp
160 mm



21-356
SATINSKY
Anastomosis clamps
265 mm



21-357 - 358
SATINSKY
Anastomosis clamps
265 mm



21-359
HARKEN
240 mm





21-360
PERTUISET
Carotid Clamp
90 mm



21-361
CRAFOORD-SELLORS
240 mm

1/4 Elastic



21-362 - 363
CRAFOORD
240 mm

1/4 21-362 Elastic
1/4 21-363



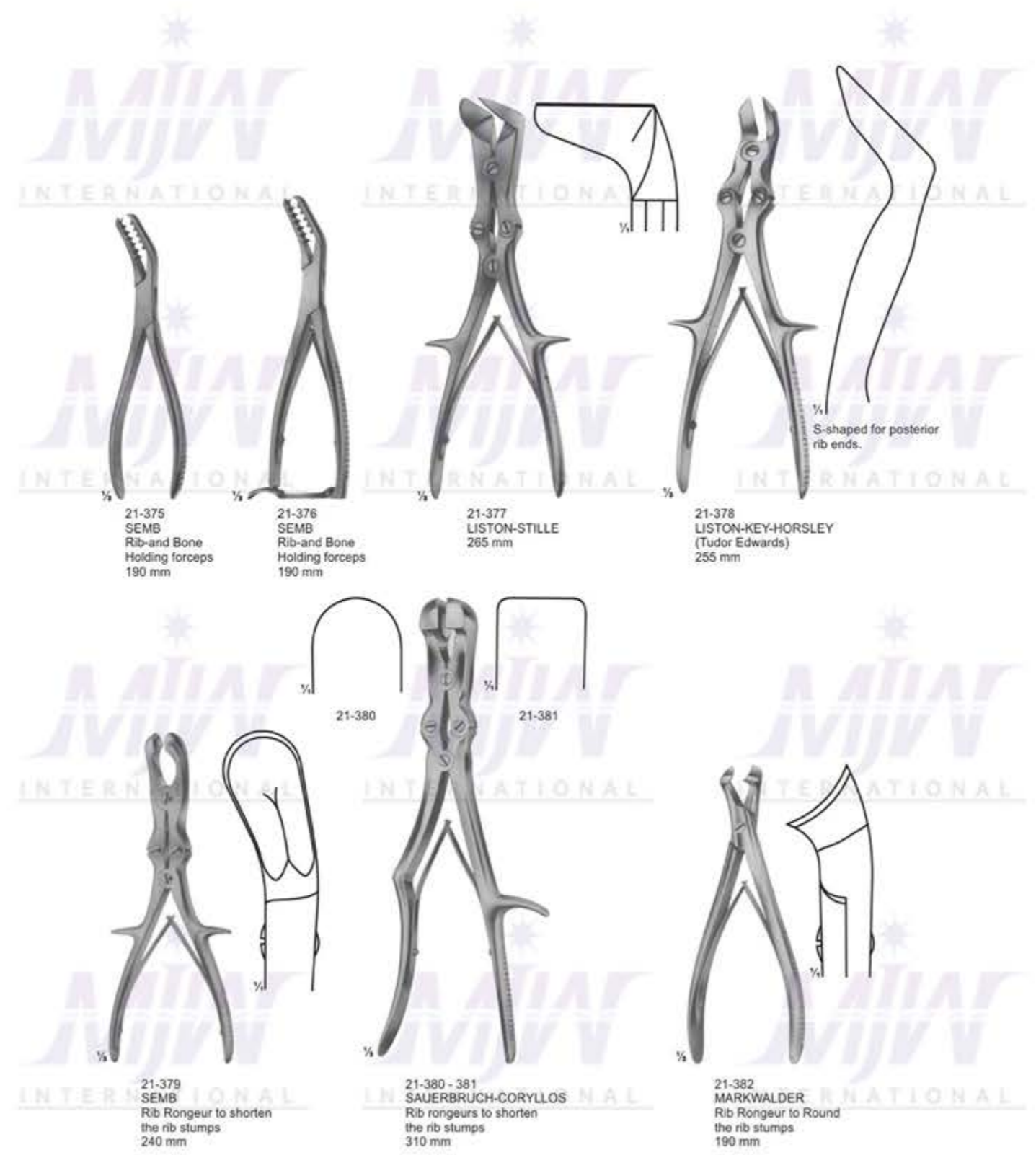
21-364
PRICE THOMAS
225 mm



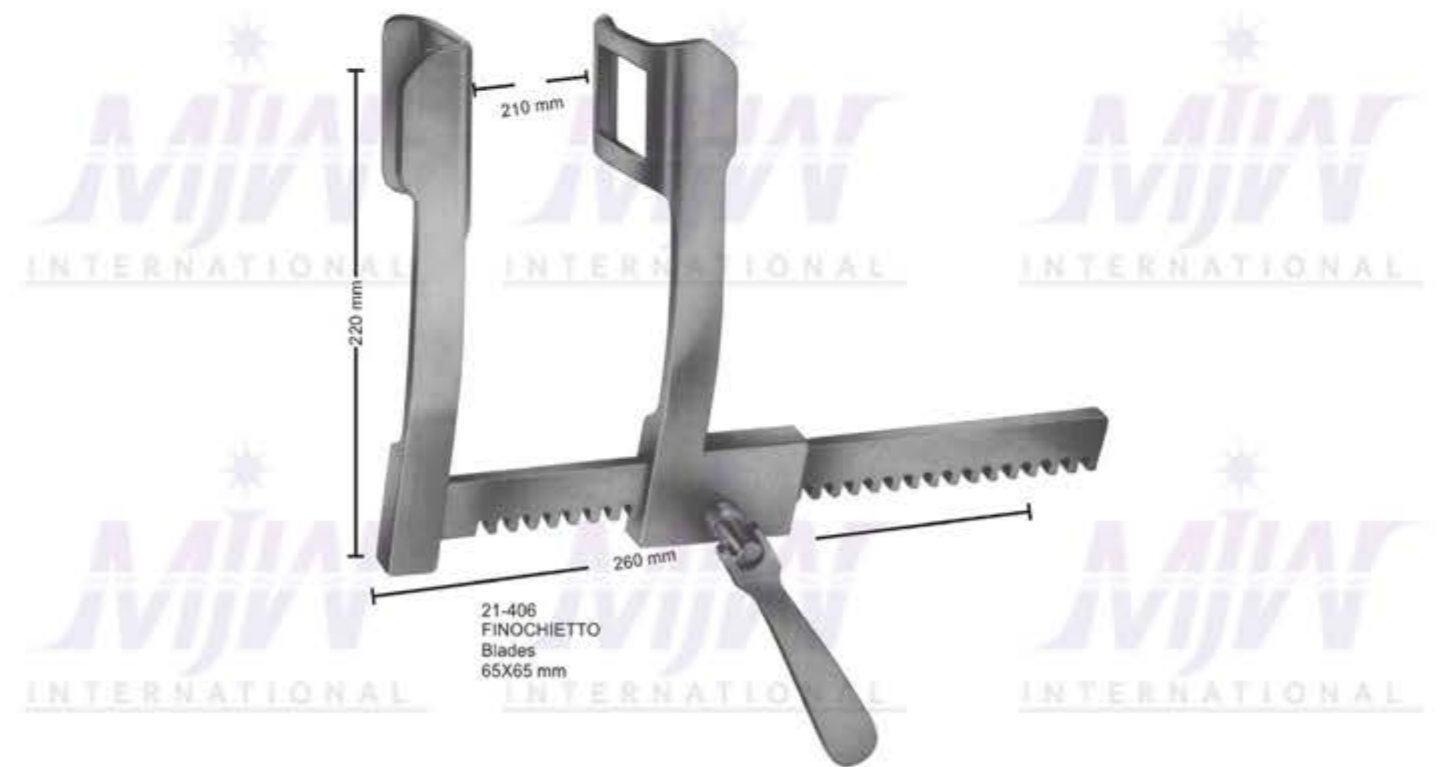
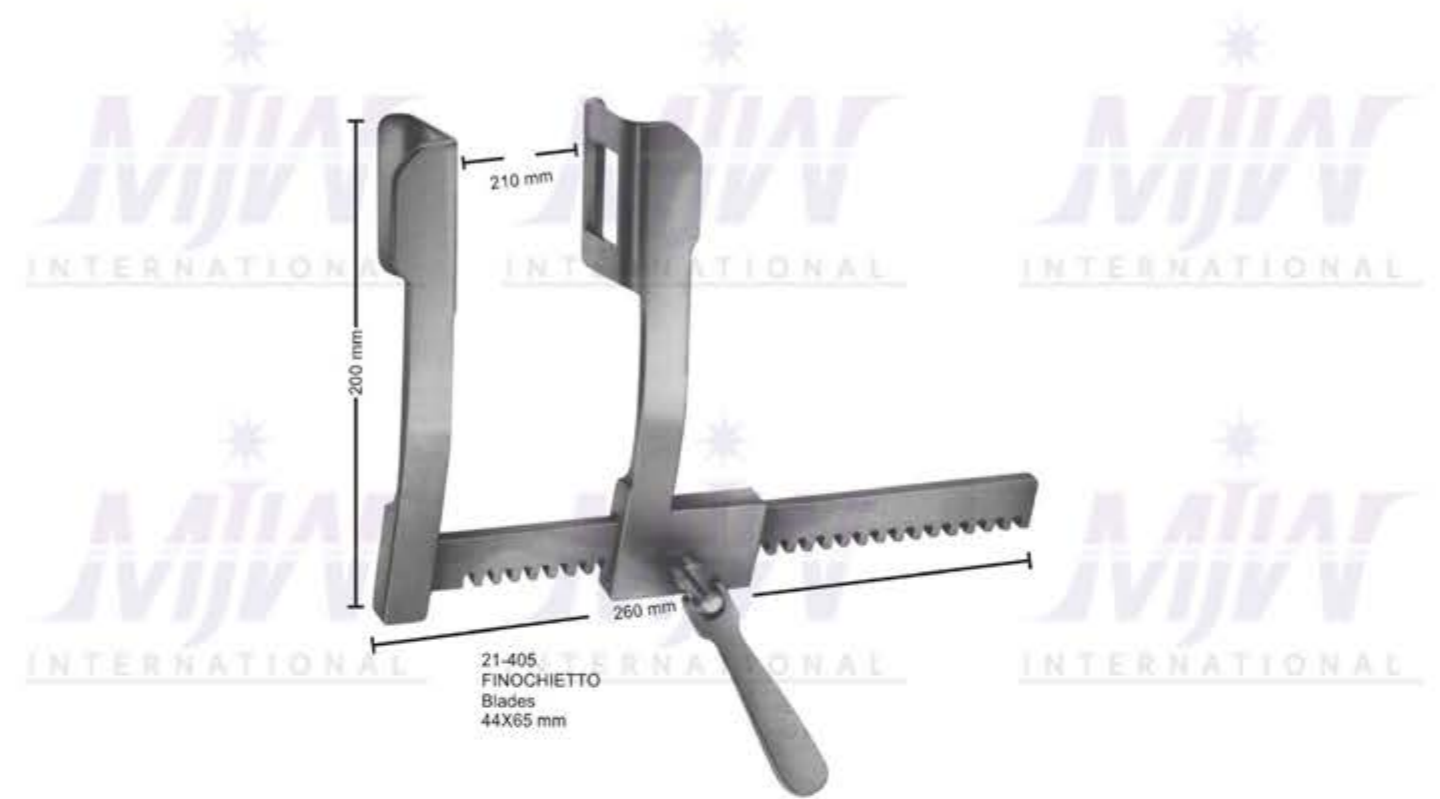
21-365 - 366
PRICE THOMAS
225 mm

1/4 21-365 jaws with pins

1/4 21-366 jaws with pins









21-408
Blades
30x80 mm

21-409
Blades
40x67 mm

21-410
Blades
80x67 mm

21-411
Blade, Only, for preparation
of a. Mammaria, 25.5x80mm

21-407
FINOCHIETTO-BURFORD
with 2 pairs of blades
(21-409-410)



21-412
DE-BAKEY
with 3 pairs of blades
(21-414 - 21-416)

21-414
Blades
30x30 mm

21-415
Blades
40x40 mm

21-416
Blades
50x50 mm

Components for 21-412
Spreader only
Blades only
21-414 30x30mm
21-415 40x40mm
21-416 50x50mm
The Blades are delivered in Pairs.



21-417
DE-BAKEY
with 3 pairs of blades
(21-419, 420, 422)

21-419
Blades
50x80 mm

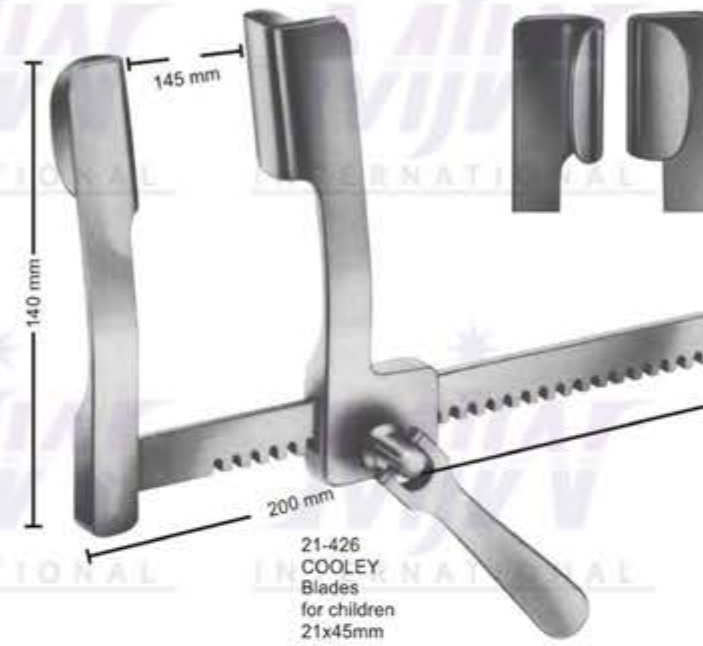
21-420
Blades
60x60 mm

21-421
Blades
80x60 mm

21-422
Blades
40x100 mm

Components for 21-417
Spreader only
Blades only
21-419 50x80mm
21-420 60x60mm
21-422 40x100mm
The Blades are delivered in Pairs.

21-423
Sternotomy Blades (50x66 mm)





21-429
Blades
45 x 65 mm
Fig. 1

21-430
Blades
70 x 75 mm
Fig. 2

Blades with Ball Snap System
Delivery: in Pairs

21-428
Thoracic Retractor (Mercedes-Retractor)
complete consisting of:
21-428 A Retractor only
21-430 1 Pair of blades 42x65 mm
21-429 1 Pair of blades 75x75 mm



Ablaza-Morse
21-431
15 cm

Lemmon
21-431A
14 cm
21-431B
18 cm
Sternum-approximator
For adults



Sellors
21-432
20 cm



Bailey-Baby
21-433/e



Bailey
21-434
20 cm
Short claws



Bailey-Gibbon
21-434A
20 cm
Long claws



21-435
0.3 mm ϕ



Eves
21-435A
28 cm

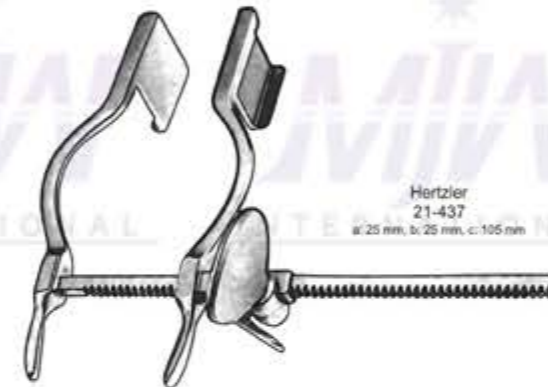
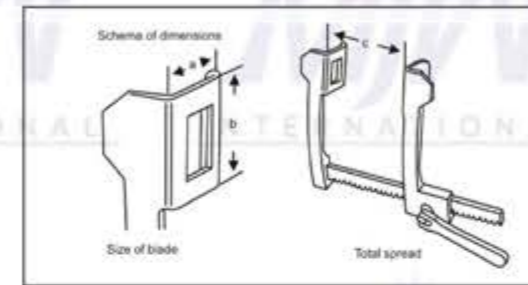
Eves
21-435B
28 cm



Bruenings
21-435C
28 cm



Tyding
21-436
With one straight tip



Hertzler
21-437
a: 25 mm, b: 25 mm, c: 105 mm



Morris
21-438
26 cm / 10 1/2"



Cooley
21-439



Cooley
21-440
24.5 cm / 9 1/2"
Right



Cooley
21-440A
24.5 cm / 9 1/2"
Right, slightly serrated



Cooley
21-440B
25.5 cm / 10"
Left