

SURGICAL

CATALOGUE



PRODUCING QUALITY GOODS FOR 15 YEARS

We are Producers of quality surgical, dental, beauty and general stainless steel products in singleuse and multiuse type. We guarantee on our products and facilitate our customers with easy return policies.



For more information visit www.mjwintl.net

Manufacturers and Exporters of Surgical, Dental & Beauty Instruments

Head Office

BI24S 88/8 Bara Pathar
Christian Town, Sialkot
Pakistan (51310)
0092 524 264829

Branch Office

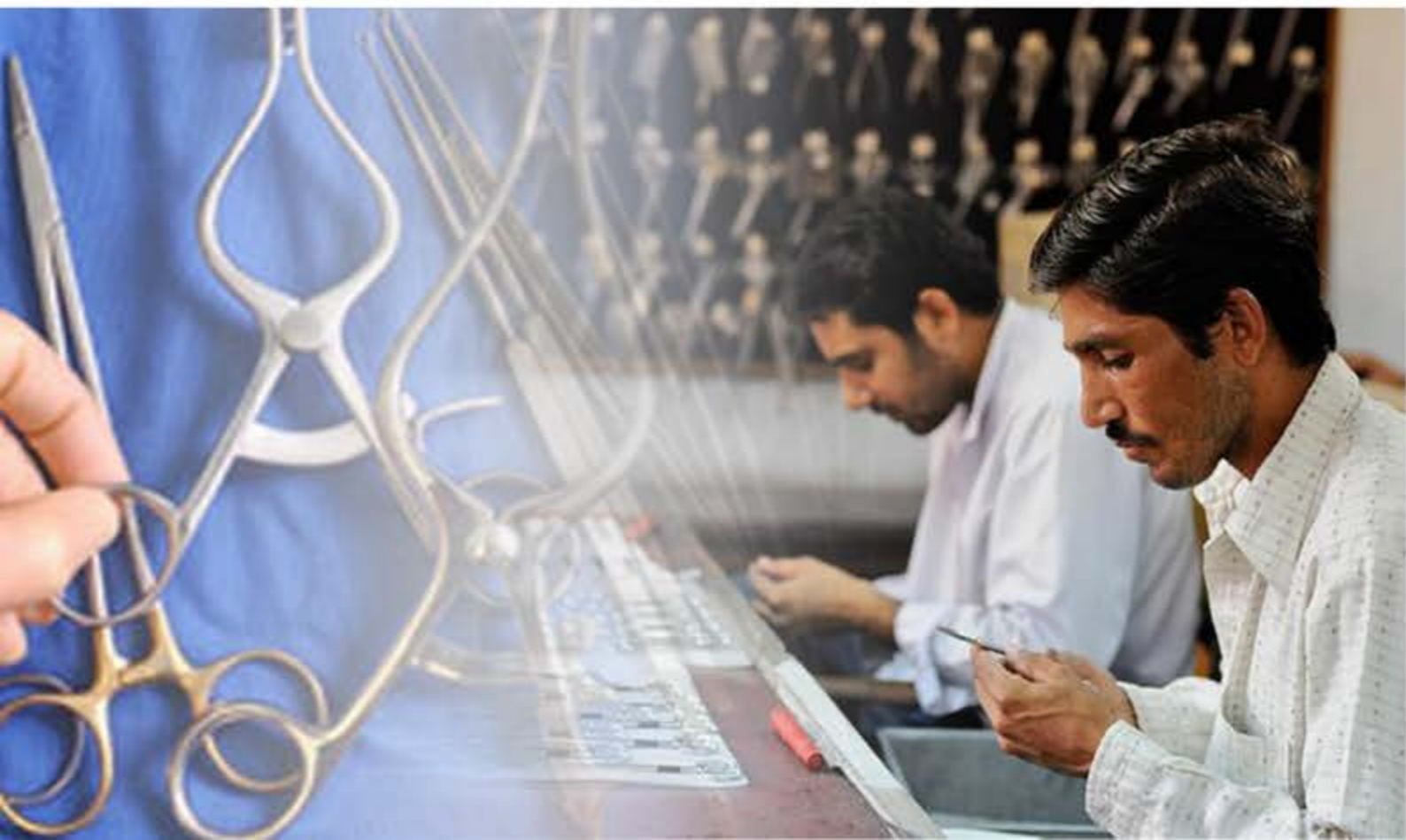
Flat 1, Kinsale Grange
57 Langley Park Road,
Sutton-Surrey SM2-5GZ UK.
Mob: 00447701084895

Contact Details

Email: info@mjwintl.net
mjwinternational2005@gmail.com
Mobile: 0092 321 712 1510
Mobile: 0092 333 371 3443



FACTORY OVERVIEW



INTRODUCTION

for fifteen years MJW Surgical has been supplying the Healthcare Industry with finest quality surgical instruments & innovative products for surgery. With our extensive knowledge and experience in the medical field, our products are specifically designed to offer both exceptional quality and value for money to Healthcare Professionals and Organisations. During the last few years there have been numerous developments within our company, with the Introduction of many new innovative products and services to our portfolio, which has allowed MJW Surgical to make a significant impact on the healthcare market. Our head office is based in Sialkot, Pakistan housing all Customer Service and Administrative functions. Additionally, we have an office in the UK covering Europe and the USA. Our range of specialised surgical instrumentation is uniquely manufactured in Sialkot to the highest standards of craftsmanship. Our goal is to continue to develop new, innovative medical products that will enhance the quality of surgical procedures.

OUR SERVICE COMMITMENT

QUALITY of All surgical instruments and products manufactured and distributed by MJW Surgical conform to the highest European and International Standards with all products bearing the relevant CE mark for their classification.

GUARANTEE OF SATISFACTION

All products undergo rigorous quality control assessment and are fully guaranteed. Any product proving unsatisfactory in normal use will be replaced or repaired free of charge following inspection.

VALUE FOR MONEY

We believe our surgical instruments and products to be competitively priced representing excellent value for money. We are happy to offer discounts for contracts.

QUOTATION SERVICE

We offer a no obligation quotation service whereby we will specify, code and price your requirements using our extensive product library which enables us to cross-reference most products.

PRODUCT INFORMATION

Sectional catalogues are available for most surgical specialities.

INNOVATION

Our objective is to work in close conjunction with all medical and nursing personnel to develop new and innovative products and services.





05-116
ZIEGLER Ø 90mm
Head mirror only
with rubber coating



05-117
ZIEGLER Ø 90mm
Head mirror only
with metal coating



05-118
ZIEGLER
Head band of plastic, black only
05-119
ZIEGLER
Head band of plastic, white only



05-120
MURPHY
Head band of celluloid, white only



05-121
Head band of plastic,
white, soft pattern



05-122
Head mirror (05-116)
with black plastic head
band (05-118)



05-122A
Calibrated with velcro cuff, in bag
with manometer
05-122B
Non calibrated with velcro cuff, in bag
with manometer



05-122C
Calibrated with velcro cuff
mercury tube 300 mm,
also available with auto lock
05-122D
Non calibrated with velcro cuff
mercury tube 300 mm,
also available with auto lock



05-126
spare bulb

05-123
CLAR
Head light, 6 volt, with adjustable joint,
white celluloid head band,
cord with plugs for transformer 04-05-139 and 140

05-124
White celluloid head band, only, for 04-05-123

05-125
Spare mirror only, for 04-05-123



05-131
spare bulb

05-127
CLAR
Head light, 6 volt, with adjustable joint,
white celluloid head band, with foam rubber pad
and cord with plugs for transformer 05-139 and 140

05-128
White celluloid head band, only, for head light 05-127

05-129
mirror only, for head light 05-127

05-130
spare foam rubber pad, for head band 05-128



05-133
spare bulb

05-132
JANSEN
Head light, 6 volt, with adjustable joint,
white plastic head band,
cord with plugs for transformer 05-139 and 140



05-135
spare bulb

05-134
LANGENBECK
Head light, 3.7 volt, with
adjustable joint,
white plastic head band,
cord with plugs for
transformer 05-139 and 140



05-136
HERBERHOLD
Pocket-Accu, 6 volts, with cord 05-137 for head lights
05-132 05-123 05-127



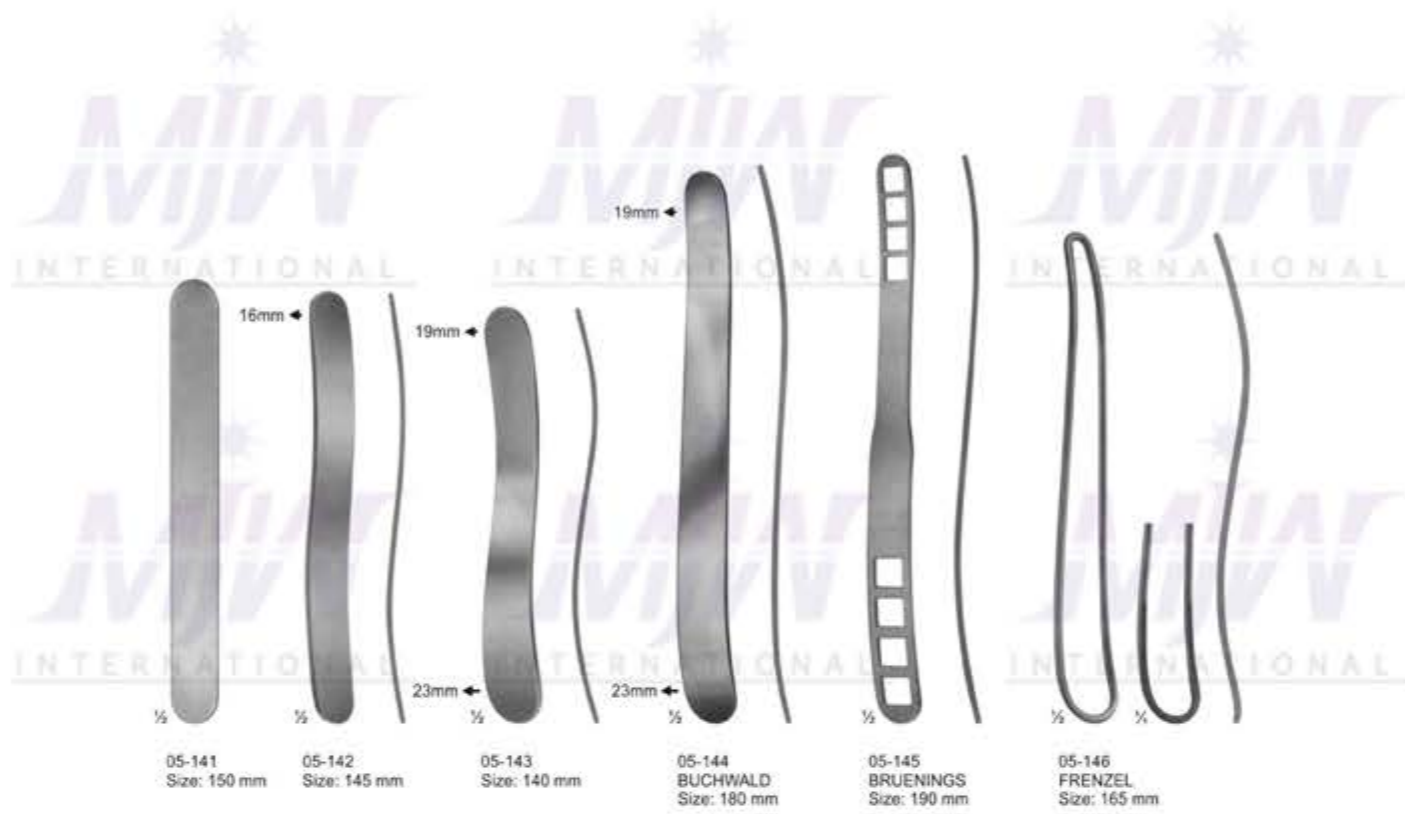
05-137
Extension cord only, to connect
the accu to the cord of the head lights
05-132 05-123 05-127



05-138
Charging Set for pocket
accu 05-136
mains current: 220-240
volts, 50-60 Hz



05-139
220 volt / 220 volts
05-140
120 volt / 120 volts
Transformer







05-182
MILLER
Laryngoscope Set, Consists Of Battery Handle (Without Battery)
With Four Miller Laryngoscope Blades, Fig 1 to 4
05-182F
Fiber optic Laryngoscope set with medium handle
Set of 4



05-182 A Fig. 0 Working Length, 55 mm (Baby's)
05-182 B Fig. 1 Working Length, 80 mm (Children's)
05-182 C Fig. 2 Working Length, 130 mm (Adolescent's)
05-182 D Fig. 3 Working Length, 170 mm (Women's)
05-182 E Fig. 4 Working Length, 180 mm (Men's)



05-183
GUEDEL-NEGUS
Laryngoscope Set, Consists Of Battery Handle (Without Battery)
With Four Miller Laryngoscope Blades
05-183F
Fiber optic Laryngoscope set with medium handle
Set of 4



05-183 A Fig. 1 Working Length, 70 mm (Children's)
05-183 B Fig. 2 Working Length, 90 mm (Adolescent's)
05-183 C Fig. 3 Working Length, 110 mm (Women's)
05-183 D Fig. 4 Working Length, 135 mm (Men's)



05-184
McINTOSH
Laryngoscope Set, Consists Of Battery Handle (Without Battery)
With Three McIntosh Blades, Fig. 1, Fig. 2, Fig. 3
05-184F
Fiber optic laryngoscope set with medium handle (Without Battery)
With Three McIntosh Blades, Fig. 1, Fig. 2, Fig. 3
05-185
McINTOSH
Laryngoscope Set, Consists Of Battery Handle (Without Battery)
With Five McIntosh Blades, Fig. 0, Fig. 1, Fig. 2, Fig. 3, Fig. 4
05-185F
Fiber optic laryngoscope set with medium handle (Without Battery)
With Three McIntosh Blades, Fig. 1, Fig. 2, Fig. 3



05-185 A Fig. 0 Working Length, 55 mm (Baby's)
05-185 B Fig. 1 Working Length, 75 mm (Children's)
05-185 C Fig. 2 Working Length, 90 mm (Adolescent's)
05-185 D Fig. 3 Working Length, 110 mm (Women's)
05-185 E Fig. 4 Working Length, 135 mm (Men's)



05-186
FOREGGER
Laryngoscope Set, Consists Of
Battery Handle (Without Battery)
With Three Foregger Blades,
Fig. 1, Fig. 2, Fig. 3.



05-186 A Fig. 1 Working Length, 70 mm (Children's)
05-186 B Fig. 2 Working Length, 90 mm (Adolescent's)
05-186 C Fig. 3 Working Length, 110 mm (Women's)
05-186 D Fig. 4 Working Length, 135 mm (Men's)

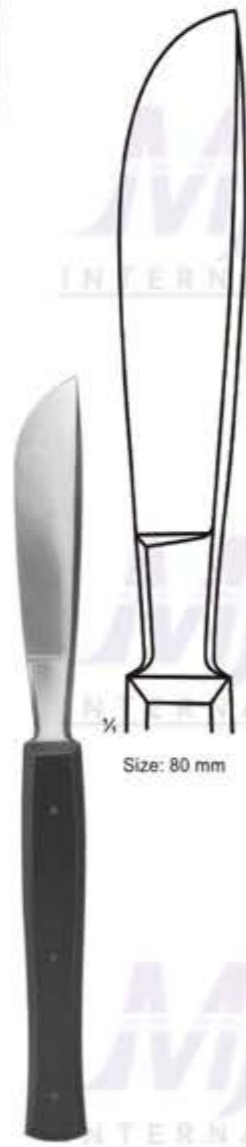
05-187
FOREGGER
Laryngoscope Set, Consists Of
Battery Handle (Without Battery)
With Four Foregger Blades,
Fig. 1, Fig. 2, Fig. 3, Fig. 4.







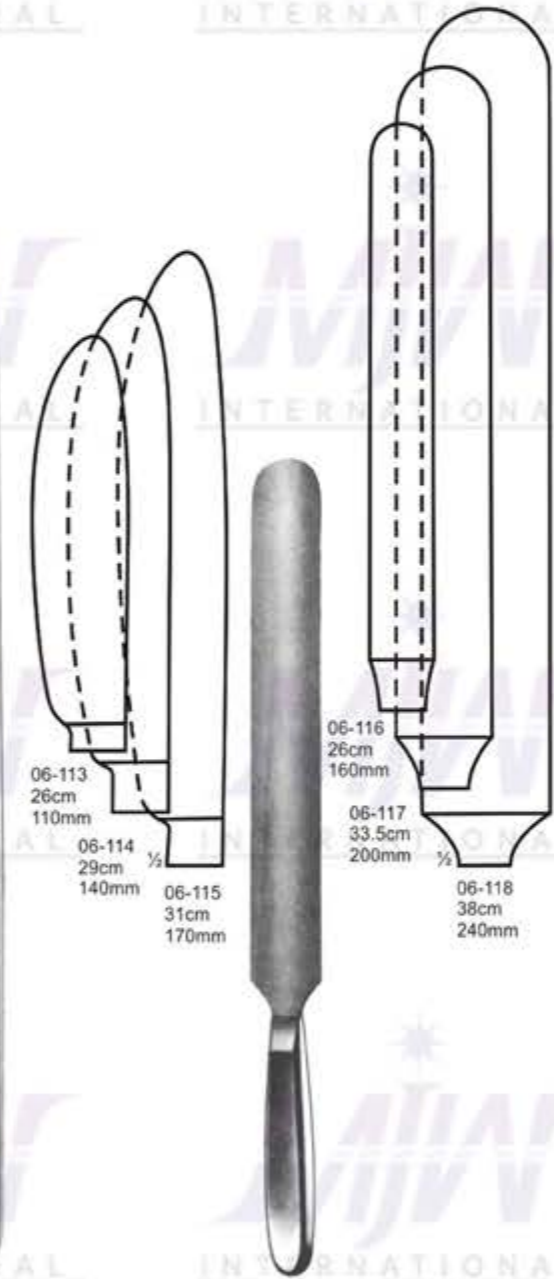
13-06-111
Size: 255 mm
wooden handle.



13-06-112
210mm
with wooden handle



13-06-113 - 115
WALB
with wooden handle



13-06-116 - 118
VIRCHOW
with hollow handle

06-113
26cm
110mm

06-114
29cm
140mm

06-115
31cm
170mm

06-116
26cm
160mm

06-117
33.5cm
200mm

06-118
38cm
240mm



06-119 - 124
GRAEFE
Size: 130 mm

06-119

06-120

06-121

06-122

06-123

06-124



06-125 - 126
DIEFFENBACH
Size: 160 mm

06-125

06-126
Tenotome



06-127
Size: 290 mm



06-128
Size: 180 mm
Langenbeck
Length of Blade
55 mm



06-129
Size: 180 mm
Langenbeck
Length of Blade
55 mm







