

VASTEC U.S.A.

COPING FOR FIBERGLASS POOLS

www.vastec-usa.com

info@vastec-usa.com

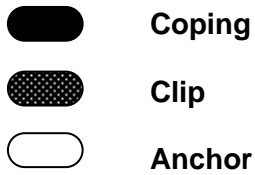
100 Creekside Drive

Dagsboro, DE 19939

Phone: 888-282-7832

Fax: 302-732-1403

COPING PROFILE



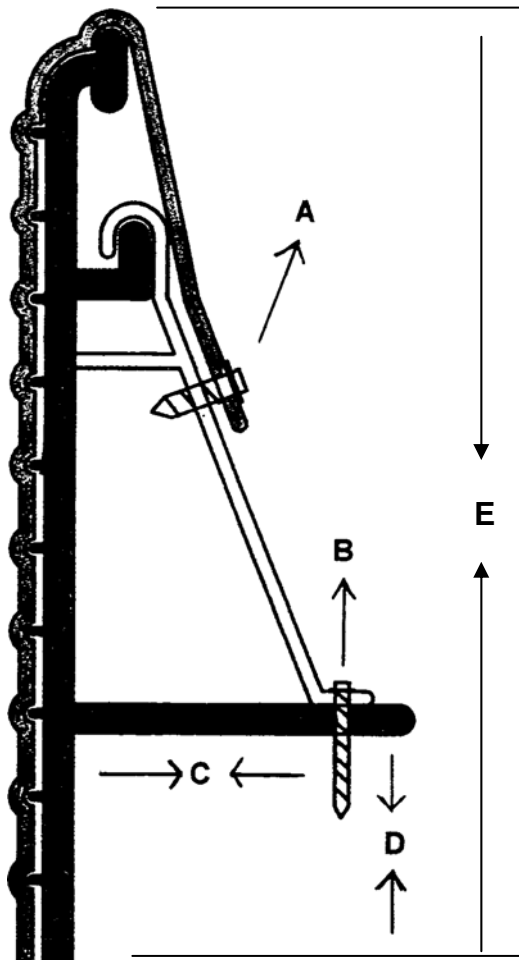
A - 1/2" Tek Screw

B - 1 1/4" Tek Screw

C - 1 1/2" Tabs To
Secure Coping
To Fiberglass Ledge

D - 1" Extends Into Pool,
3" Rises Above
Fiberglass Ledge

E - 4" Total Height



Available in White, Tan and Gray

"Coping For Fiberglass Pools"