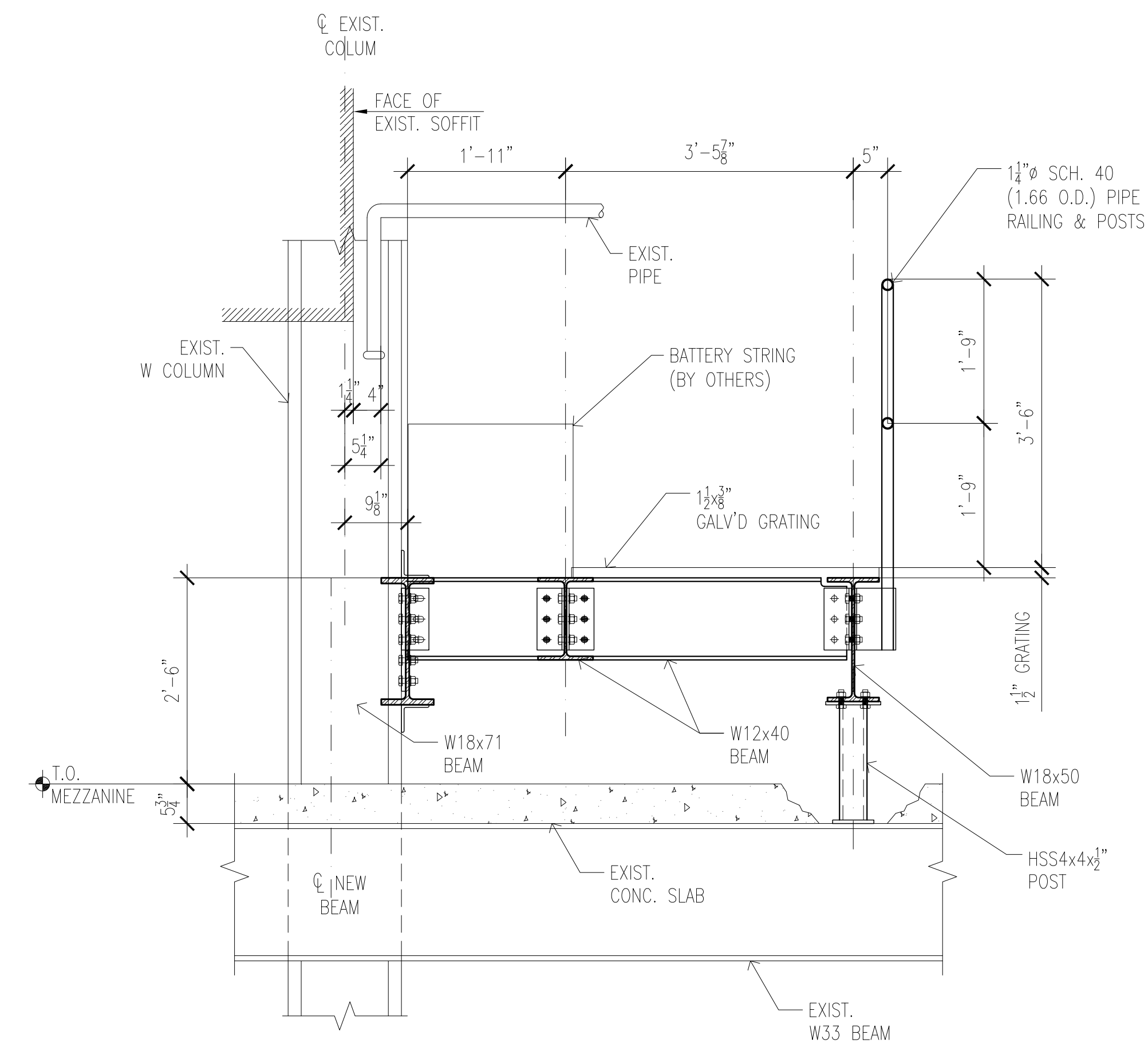
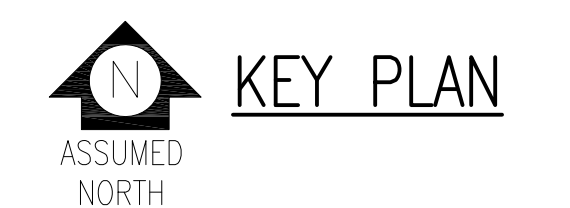
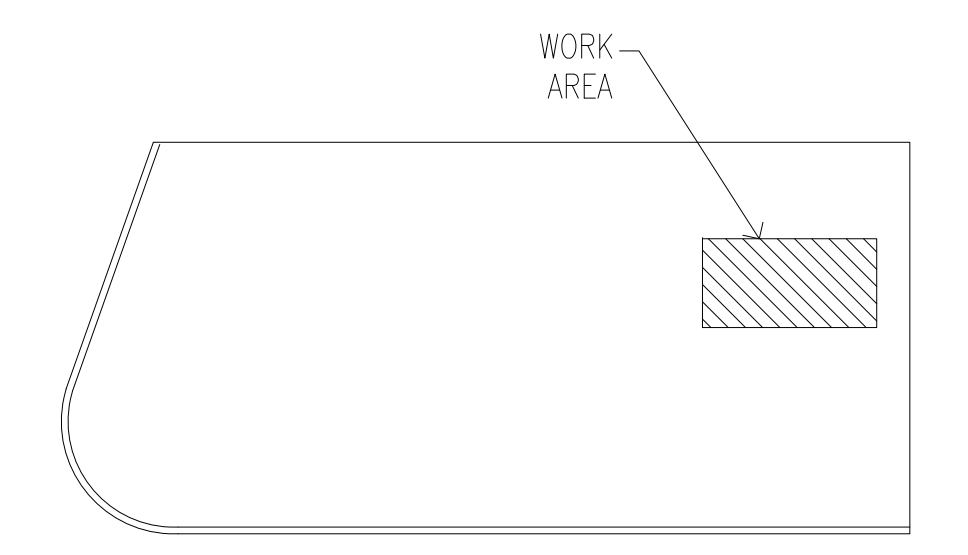


DUNNAGE FRAMING PLAN (BATTERY SYSTEM A)

- NOTES:
- - - DENOTES EXIST. BEAMS
 - DENOTES NEW BEAMS
 - ▨ DENOTES 1 1/2" GALV'D GRATING SPAN



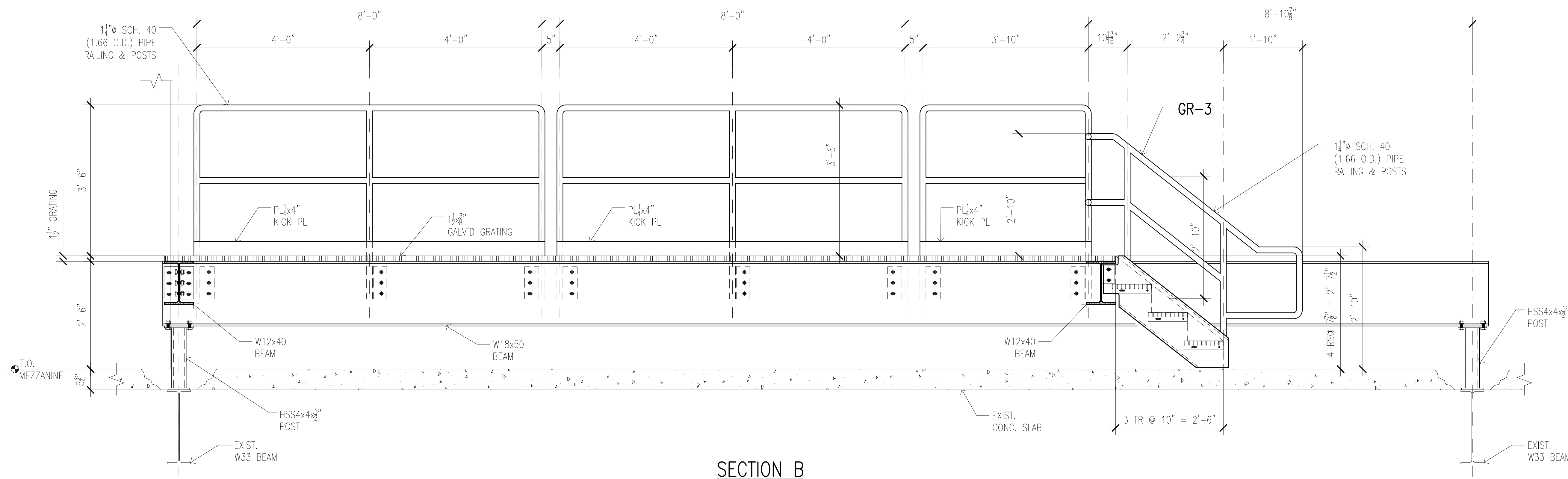
SECTION A



KEY PLAN

DWG. REF.: S-101.00

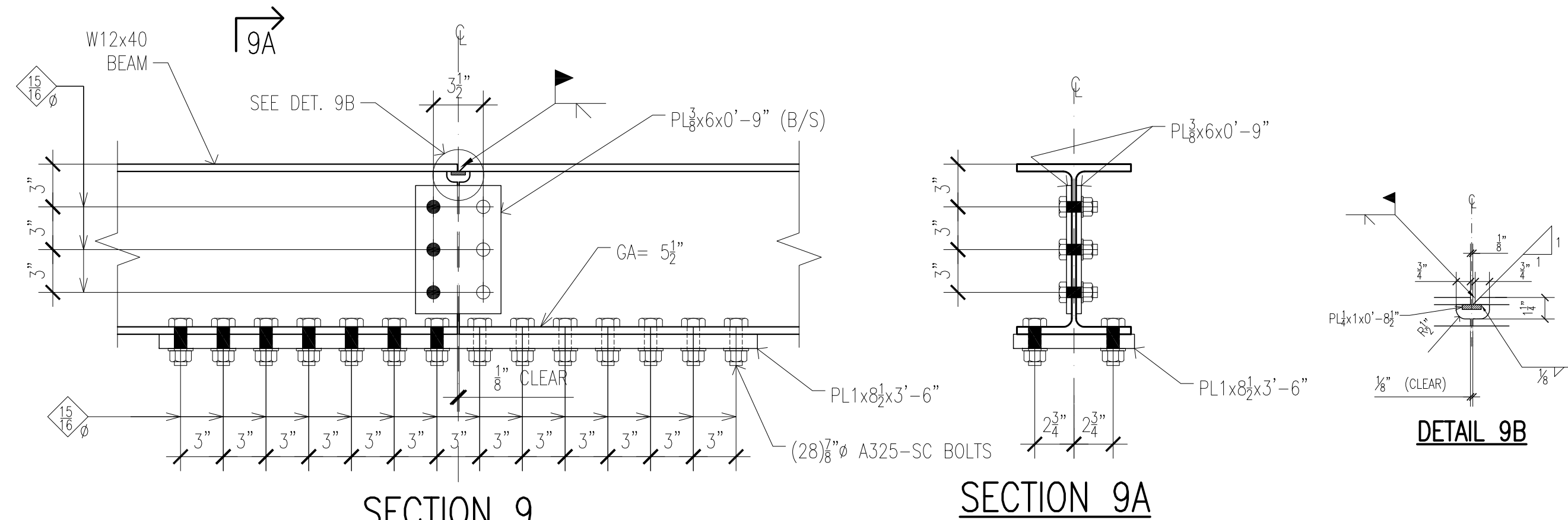
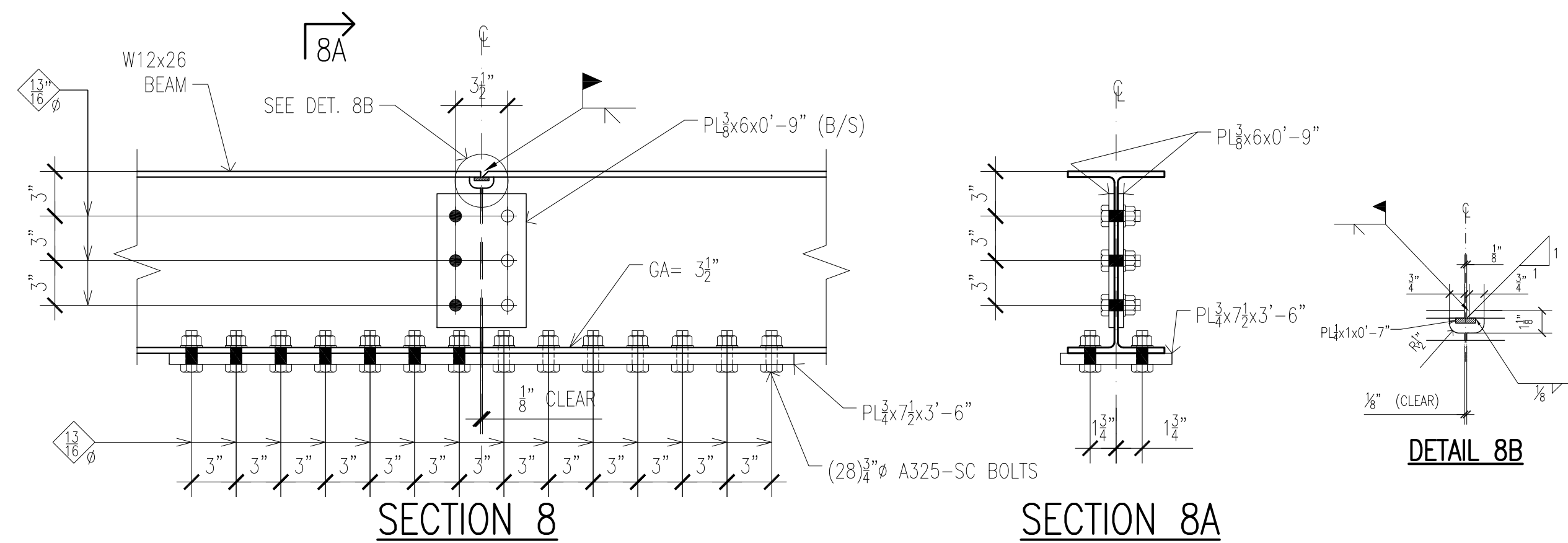
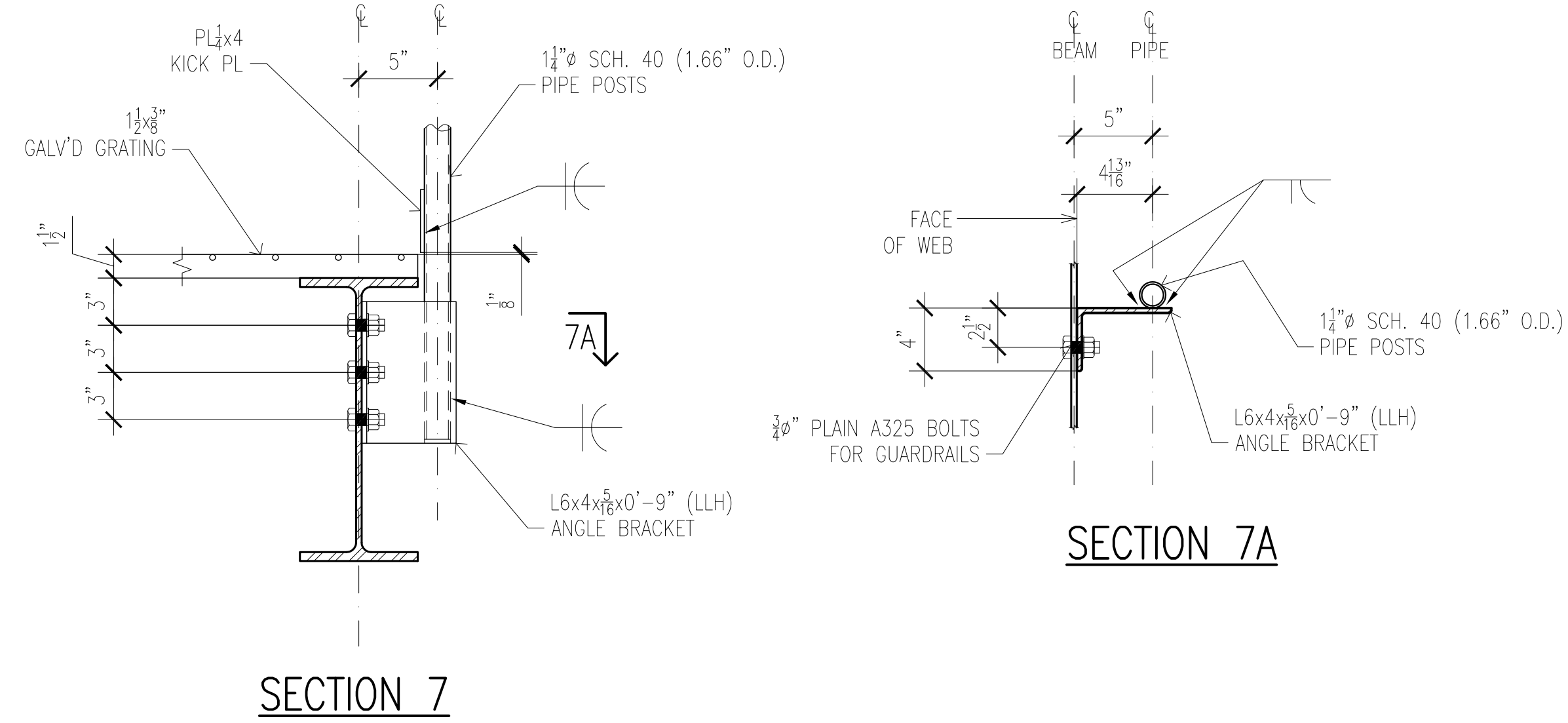
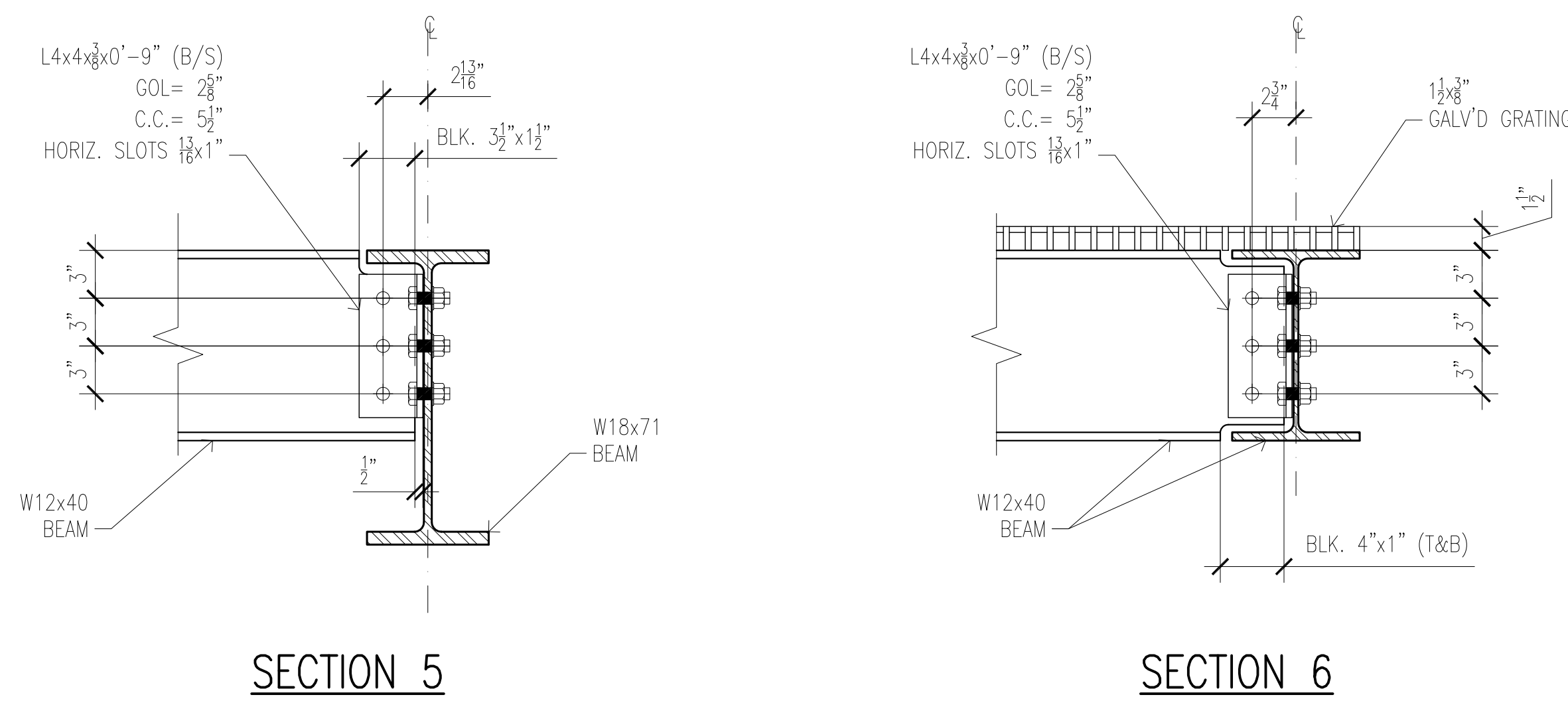
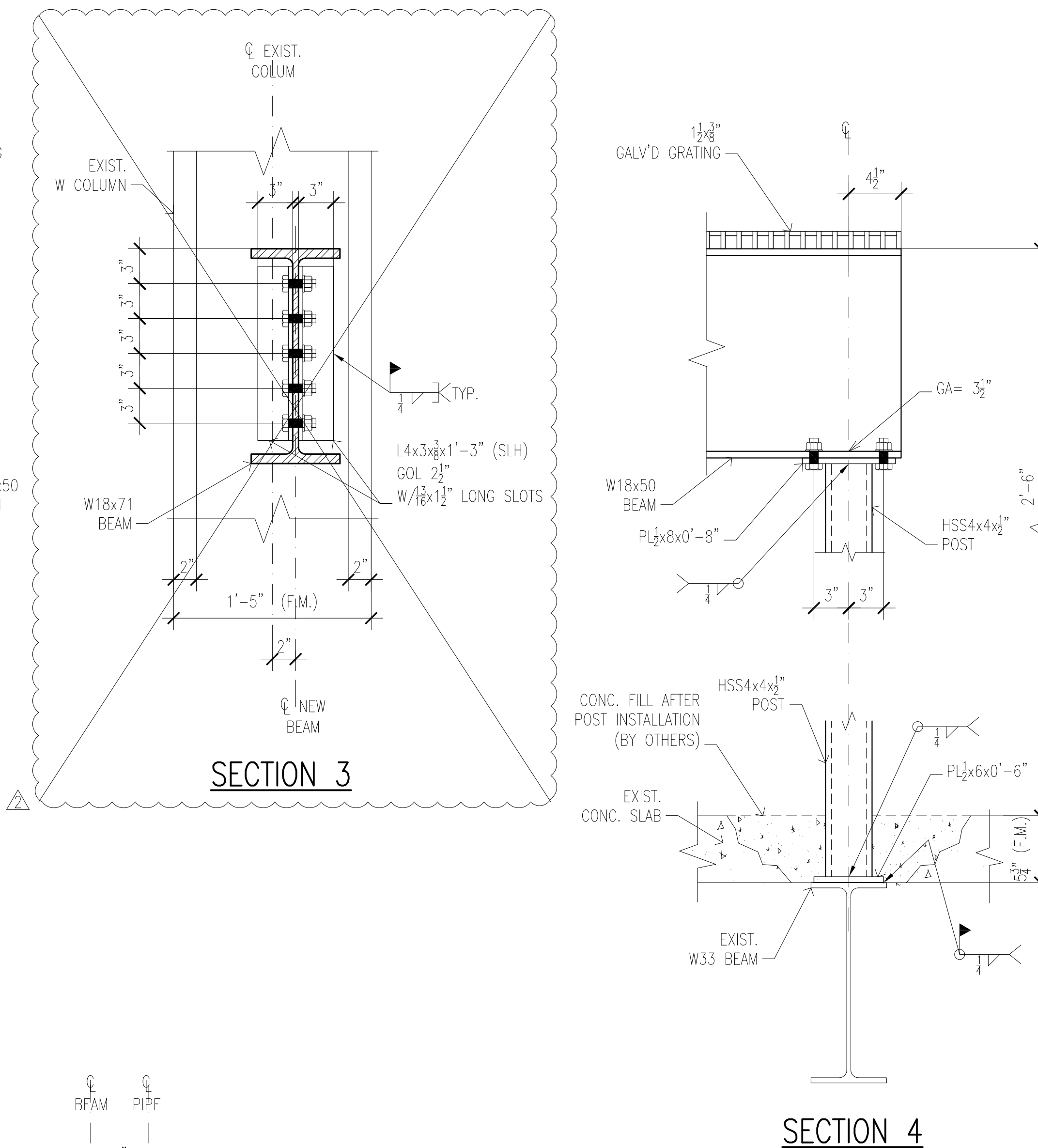
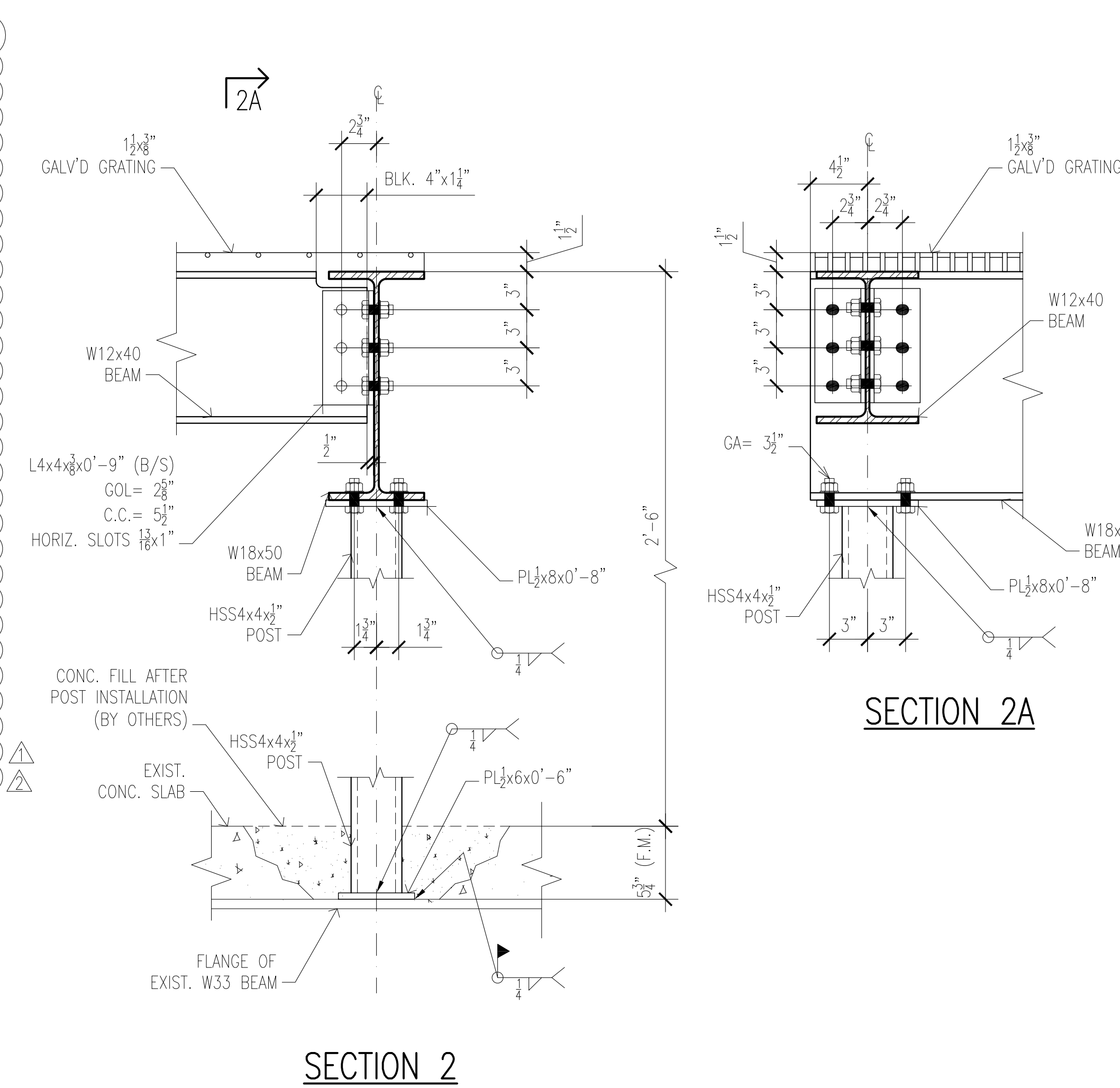
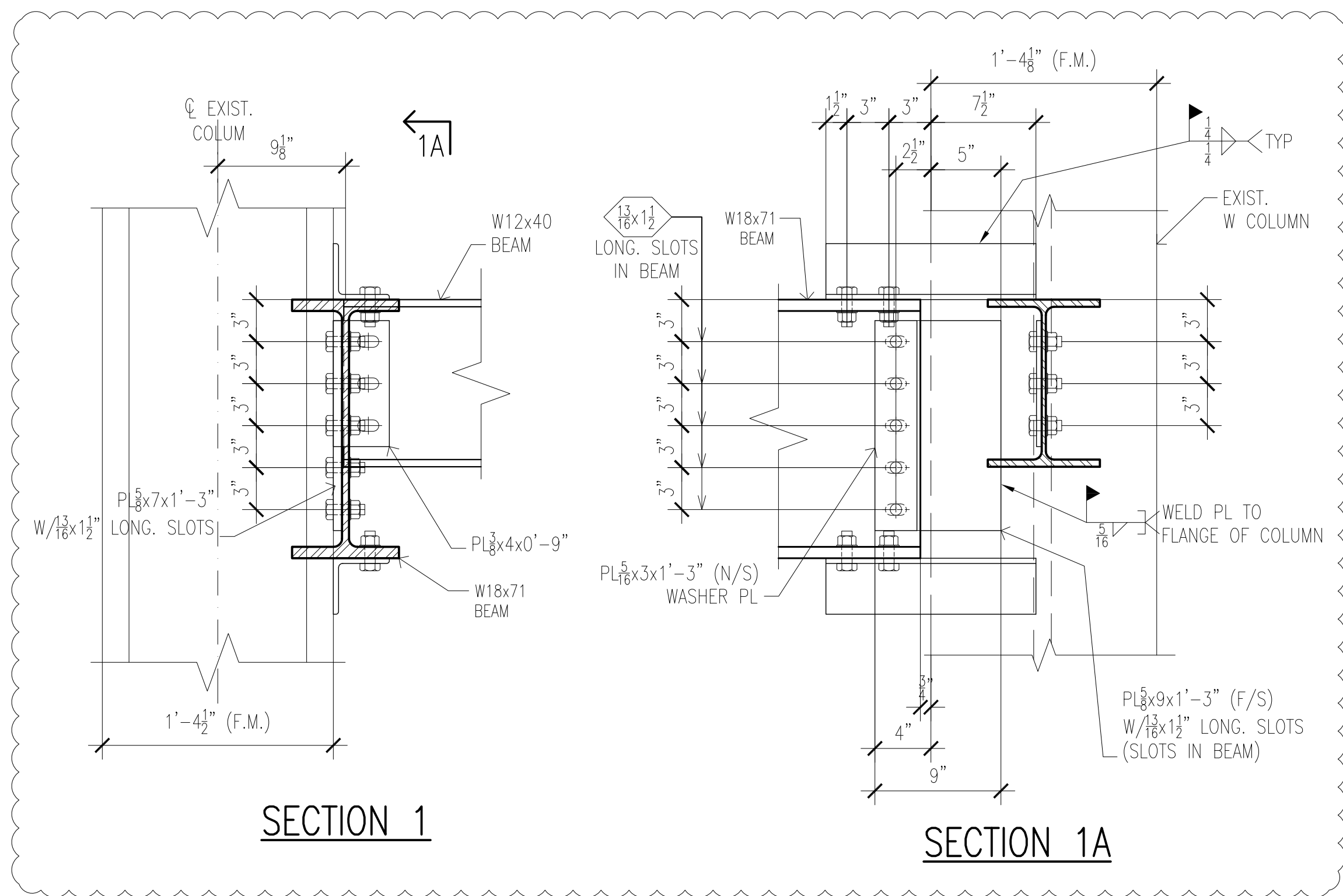
- NOTES:
- MATERIAL: ALL STRUC. STEEL ASTM A-572 GR. 50, ALL PLATES, ANGLES, CHANNELS AND MISC. ASTM A-36
 - HOLE: 1/8" (U.N.O.)
 - BOLTS: 3/4" A325-SC (U.N.O.)
 - WELD: E70XX (U.N.O.)
 - PAINT: ONE COAT OF SHOP PRIMER. GRATING GALVANIZED



SECTION B

REVISIONS			PROJECT:
N°	DATE	REMARKS	
1	06/13/13	AS PER COMMENTS	DUNNAGE @ ROOF
2	06/21/13	AS PER COMMENTS	
REV	DATE	BY	TITLE:
			DUNNAGE BATTERY SYSTEM A FRAMING PLANS AND SECTIONS
			ARCHITECT:
			STRUCT.
	DWG BY	DATE:	CONTRACT
	A.T.	06/18/2013	DRAWING
	CHK'D BY	DATE:	E20
	L.A.	06/18/2013	

NOTES:
F.M. DENOTES FIELD MEASUREMENTS

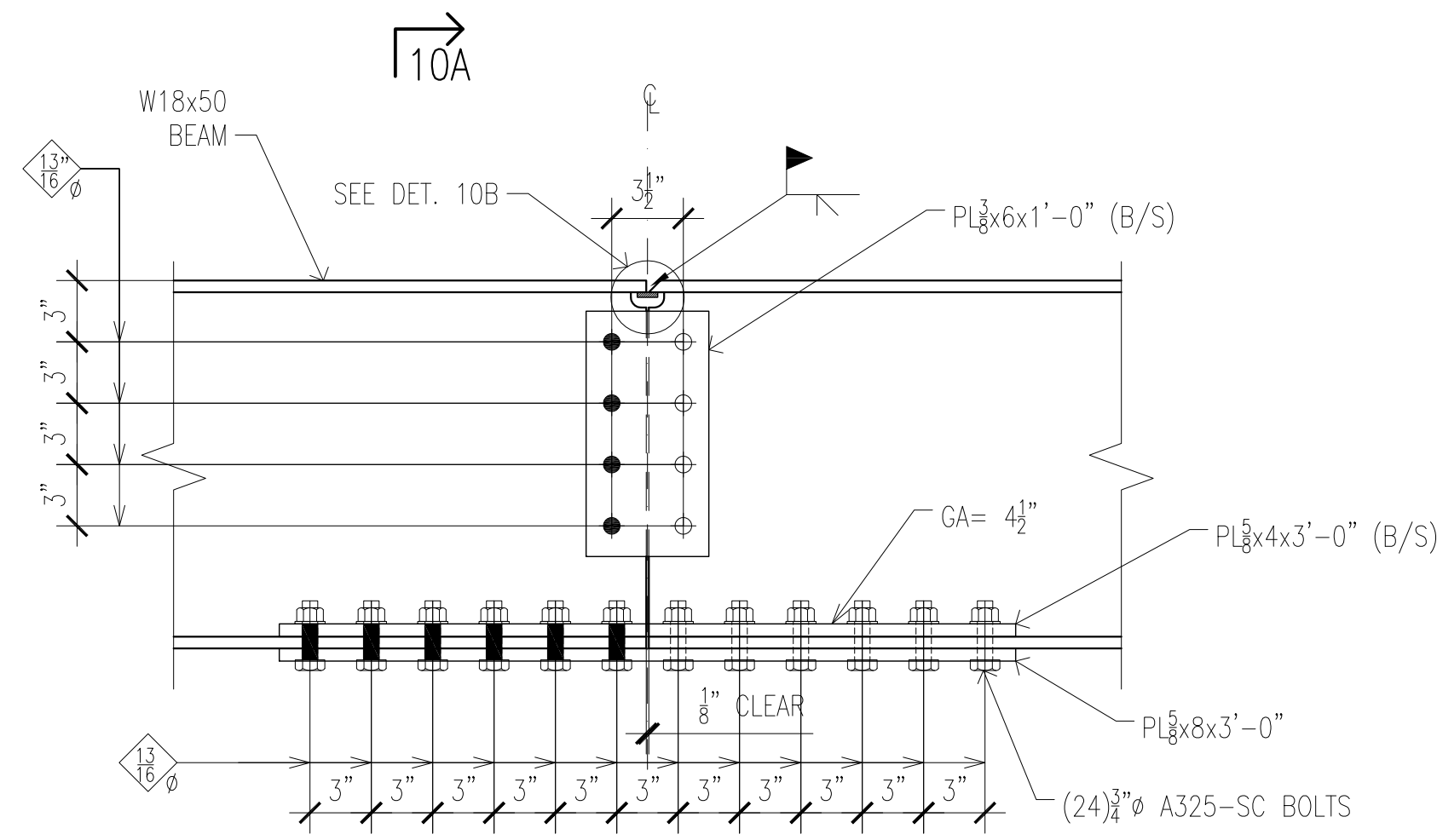


DWG. REF.: S-101.00

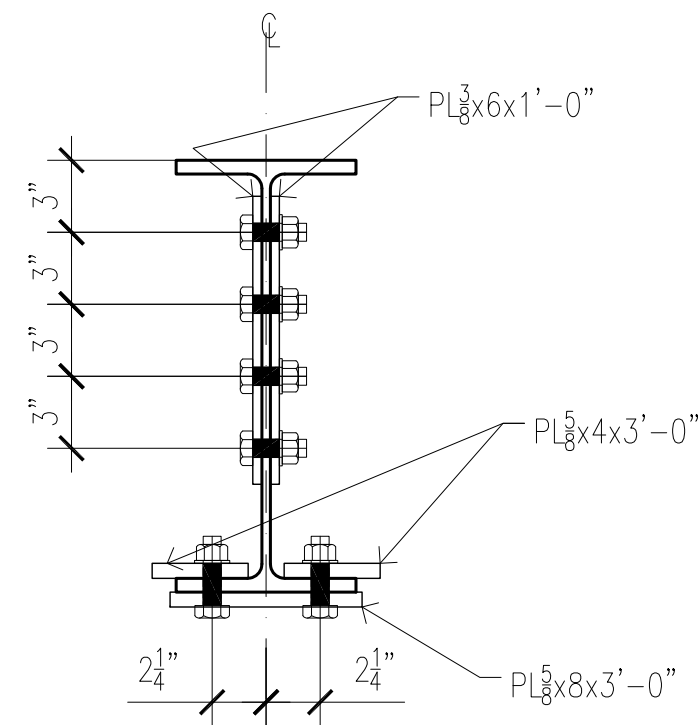
NOTES:
 MATERIAL: ALL STRUC. STEEL ASTM A-572 GR. 50,
 ALL PLATES, ANGLES, CHANNELS AND MISC. ASTM A-36
 HOLES: 1/16\"/>

REVISIONS			PROJECT: DUNNAGE @ ROOF
N°	DATE	REMARKS	
△	06/13/13	AS PER COMMENTS	
△	06/21/13	AS PER COMMENTS	
REV	DATE	BY	TITLE: DUNNAGE BATTERY SYSTEM A SECTIONS AND DETAILS
			ARCHITECT: STRUCT.
	DWG BY A.T.	DATE: 06/18/2013	CONTRACT
	CHK'D BY L.A.	DATE: 06/18/2013	DRAWING E21

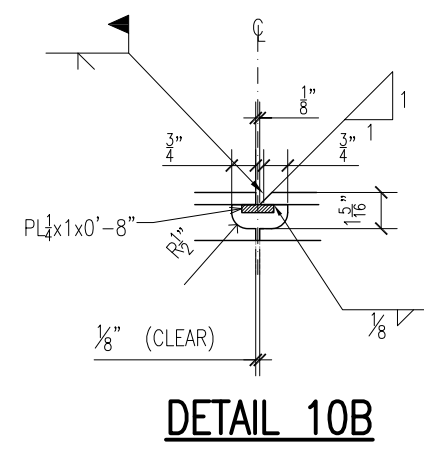
NOTES:
 * REQUIRES FIELD MEASURING
 W.I.F. DENOTES VERIFY IN FIELD



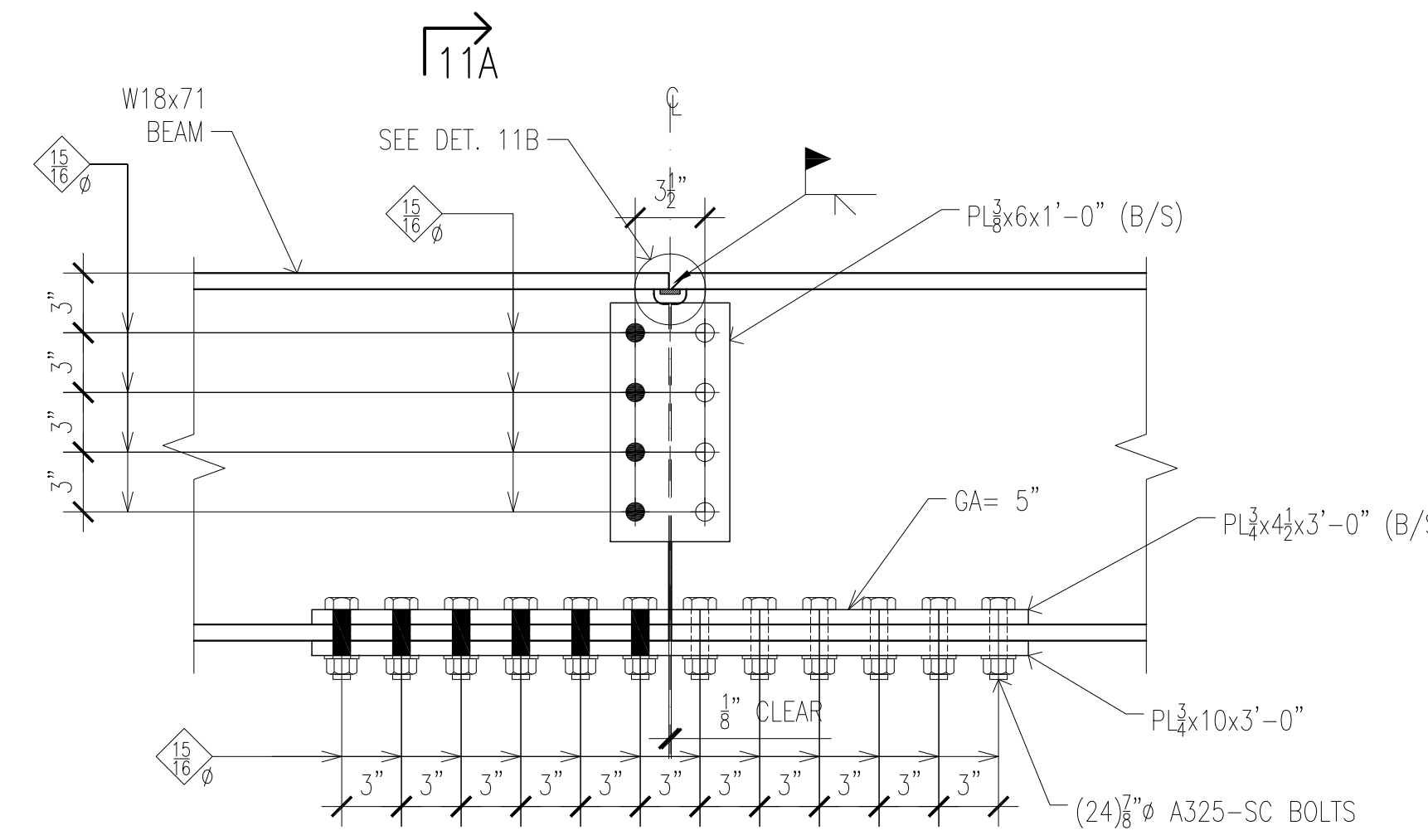
SECTION 10
SPLICE DET. @ W18x50



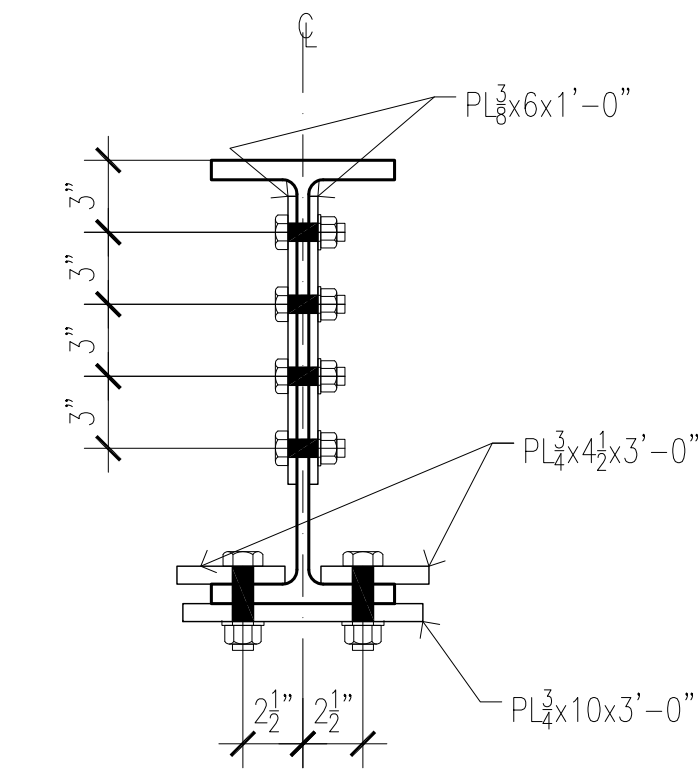
SECTION 10A



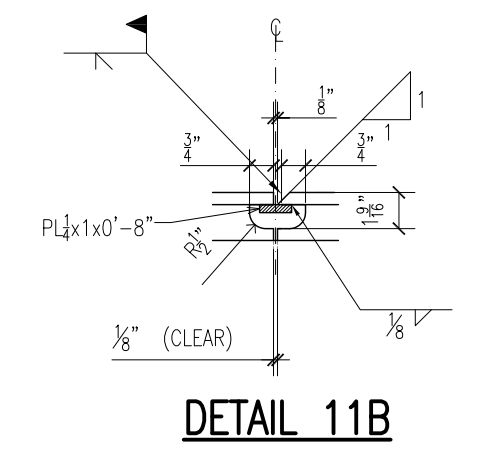
DETAIL 10B



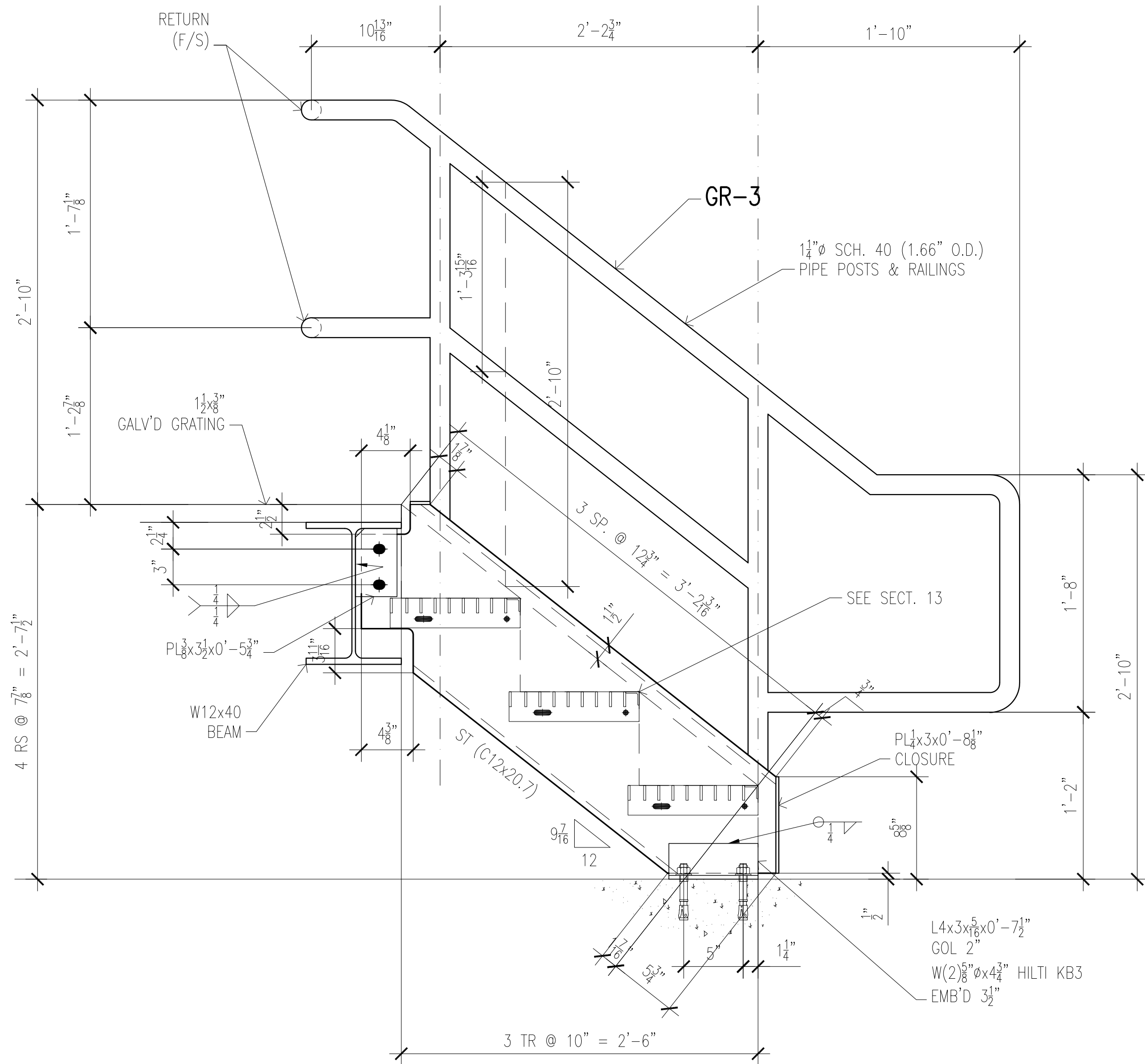
SECTION 11
SPLICE DET. @ W18x71



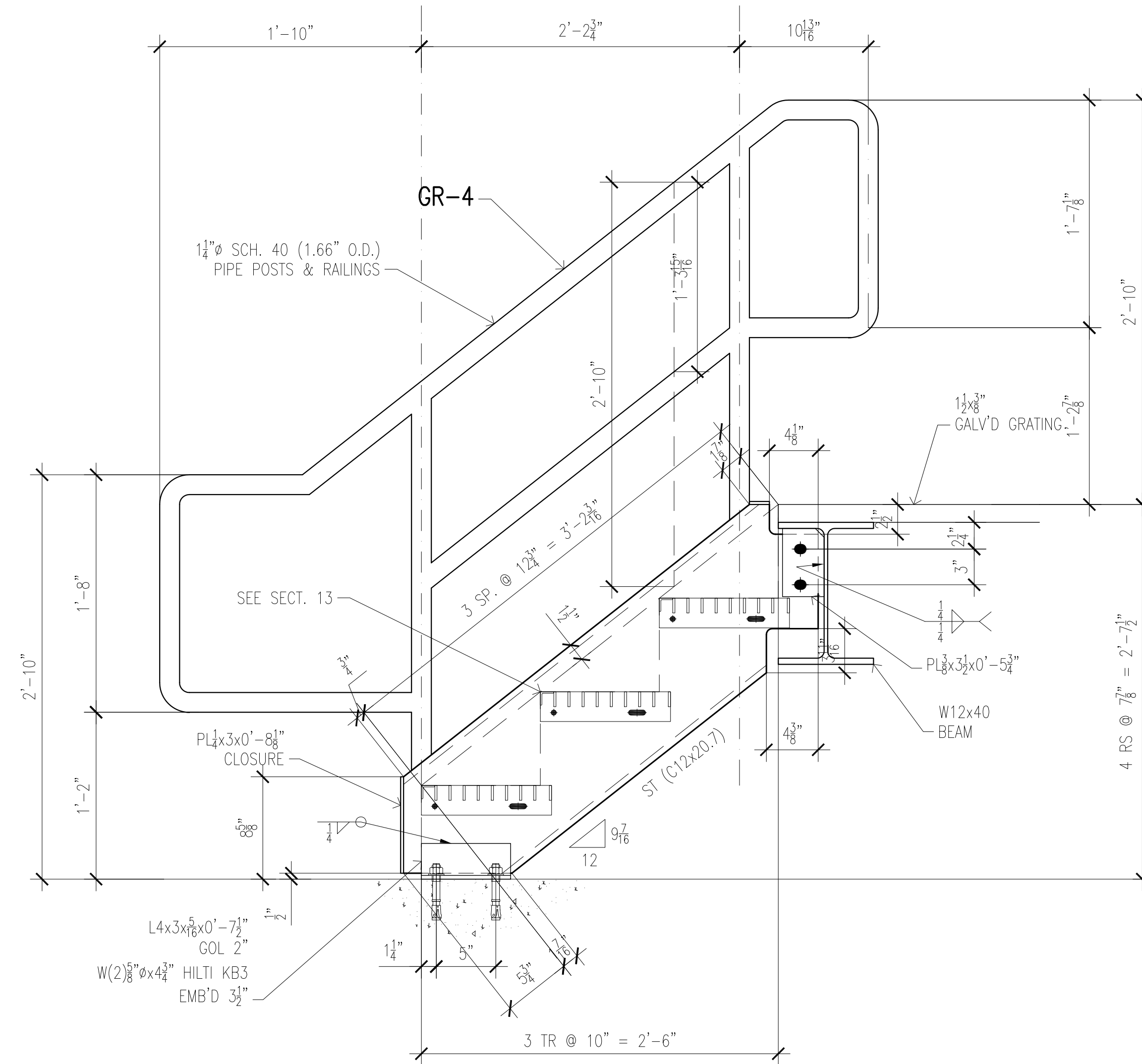
SECTION 11A



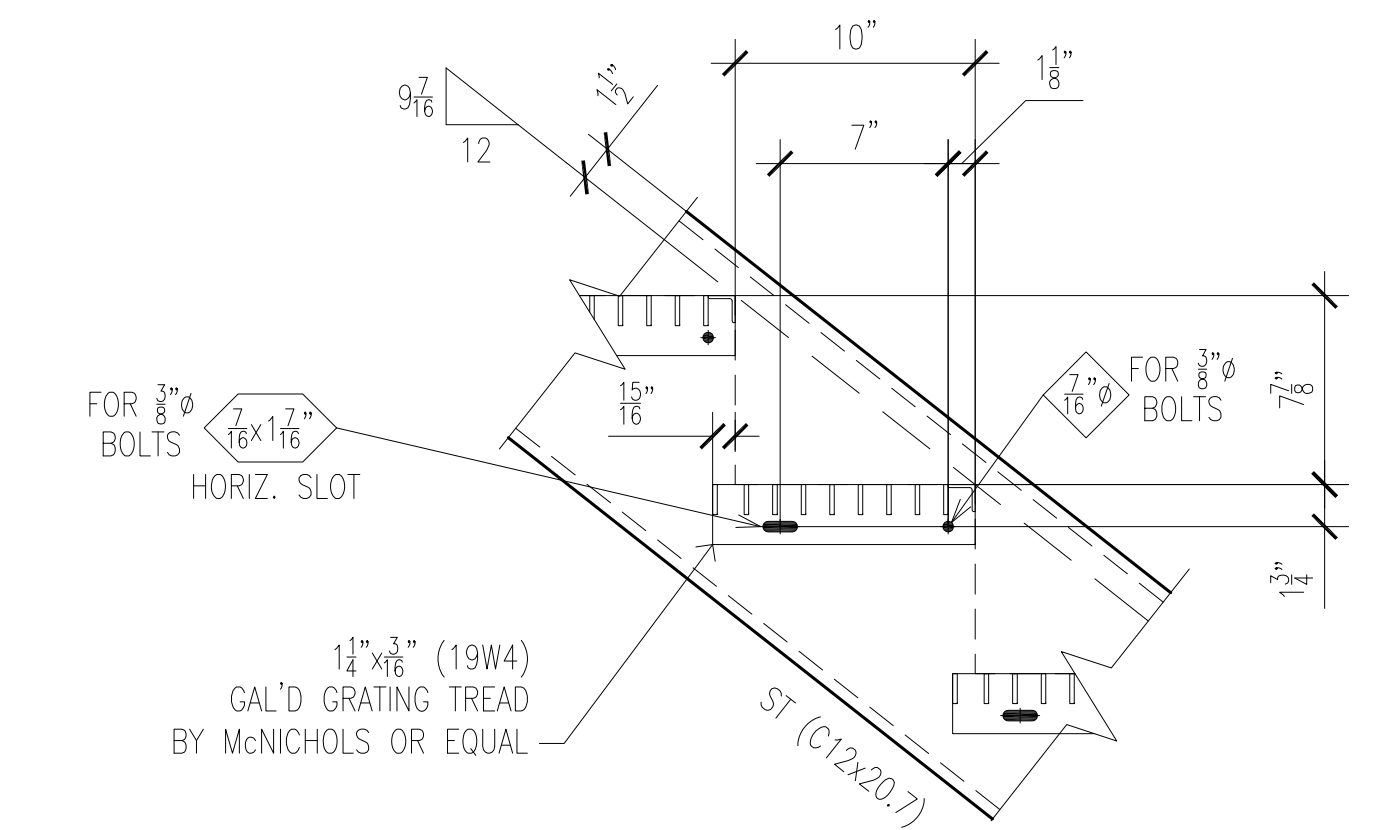
DETAIL 11B



SECTION 12



SECTION 12A



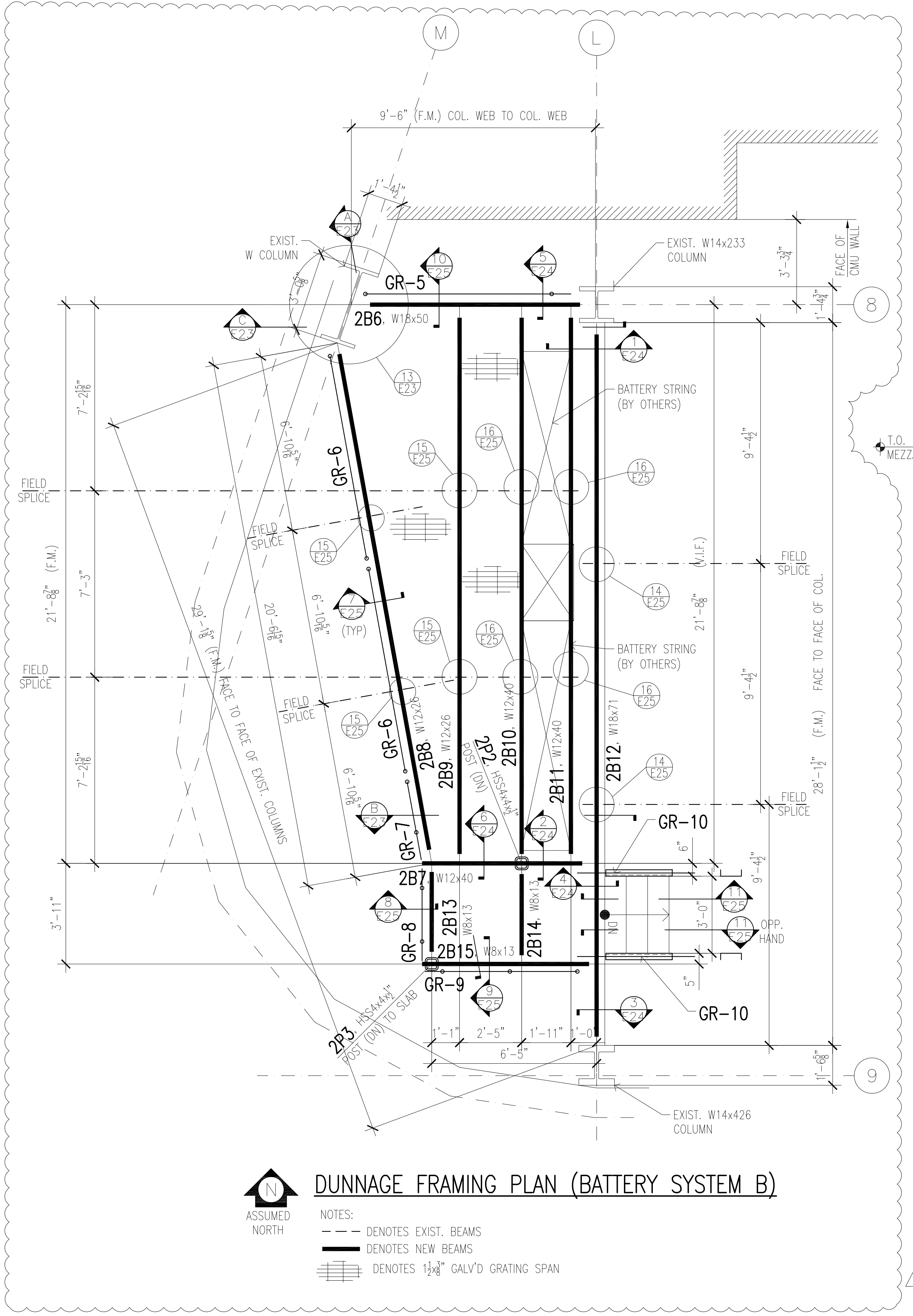
SECTION 13
TYP. TREAD/RISER DETAIL

DWG. REF.: S-101.00

NOTES:
MATERIAL: ALL STRUC. STEEL ASTM A-572 GR. 50,
ALL PLATES, ANGLES, CHANNELS AND MISC. ASTM A-36
HOLES: 1/8" (U.N.O.)
BOLTS: 3/4" A325-SC (U.N.O.)
WELD: E70XX (U.N.O.)
PAINT: ONE COAT OF SHOP PRIMER, GRATING GALVANIZED

REVISIONS			PROJECT:
N°	DATE	REMARKS	
1	06/13/13	AS PER COMMENTS	NORTHEASTERN STEEL INC.
2	06/21/13	AS PER COMMENTS	
REV DATE BY PRINTS			TITLE:
			DUNNAGE BATTERY SYSTEM A SECTIONS AND DETAILS
			ARCHITECT:
			STRUCT.
DWG BY		DATE:	CONTRACT
A.T.		06/18/2013	
CHK'D BY		DATE:	DRAWING
L.A.		06/18/2013	

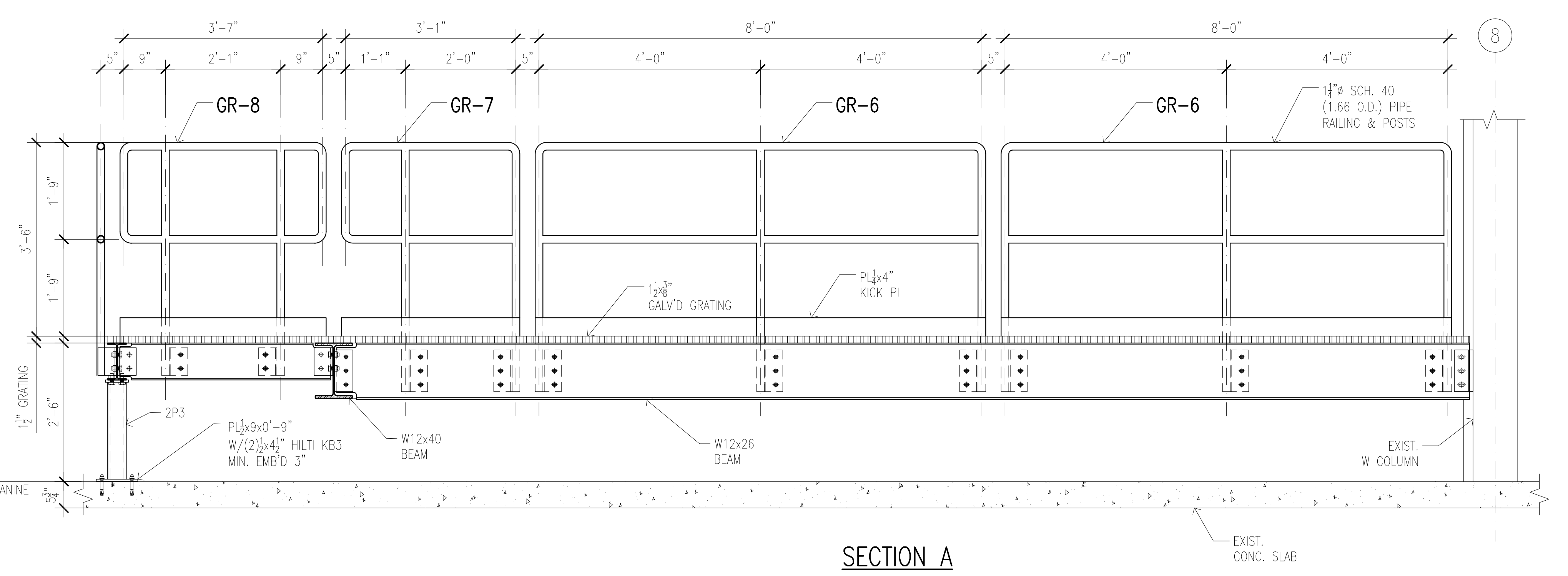
NOTES:
* REQUIRES FIELD MEASURING
V.I.F. DENOTES VERIFY IN FIELD



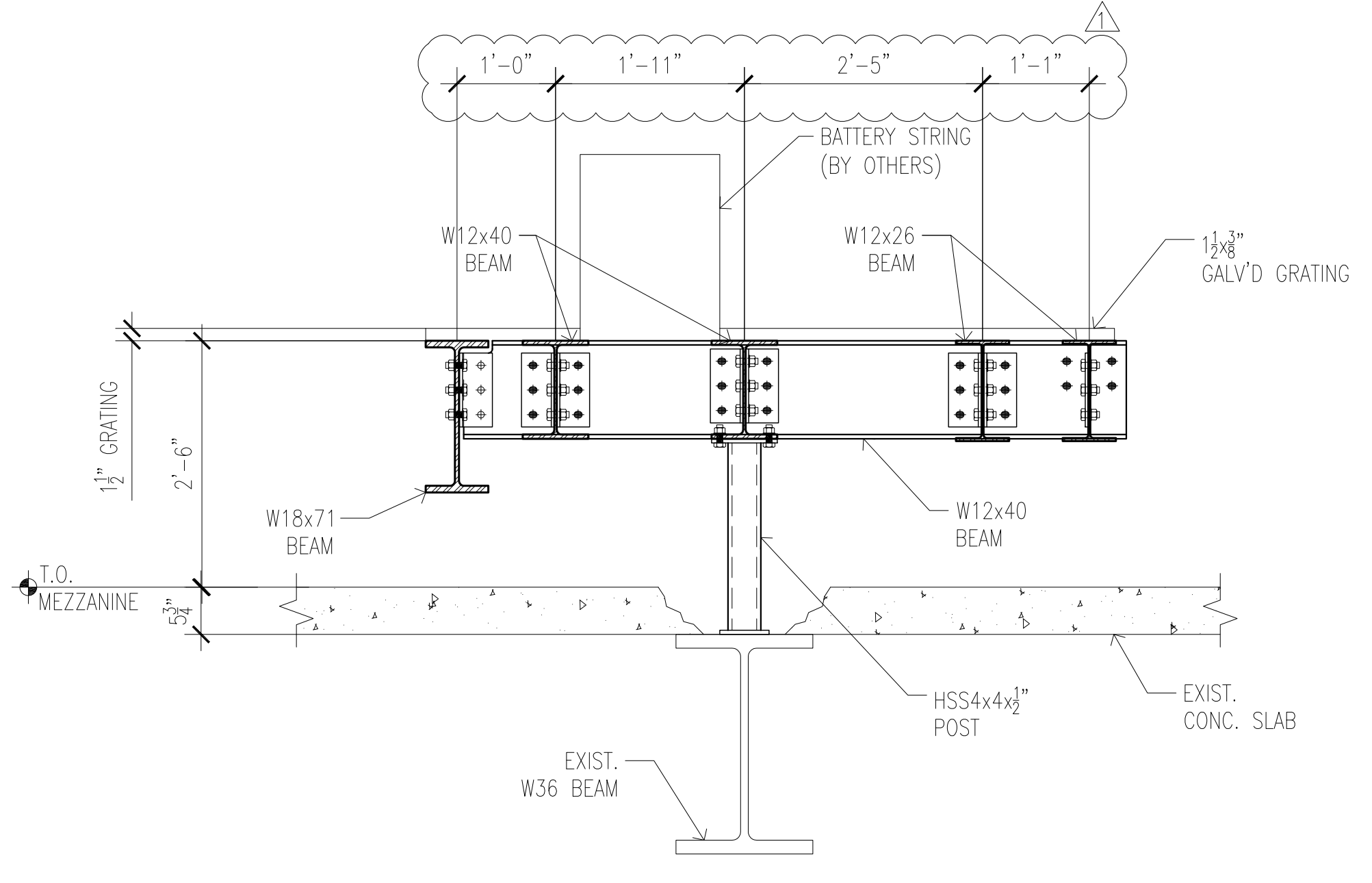
DUNNAGE FRAMING PLAN (BATTERY SYSTEM B)

NOTES:
 --- DENOTES EXIST. BEAMS
 — DENOTES NEW BEAMS
 DENOTES 1 1/2\"/>

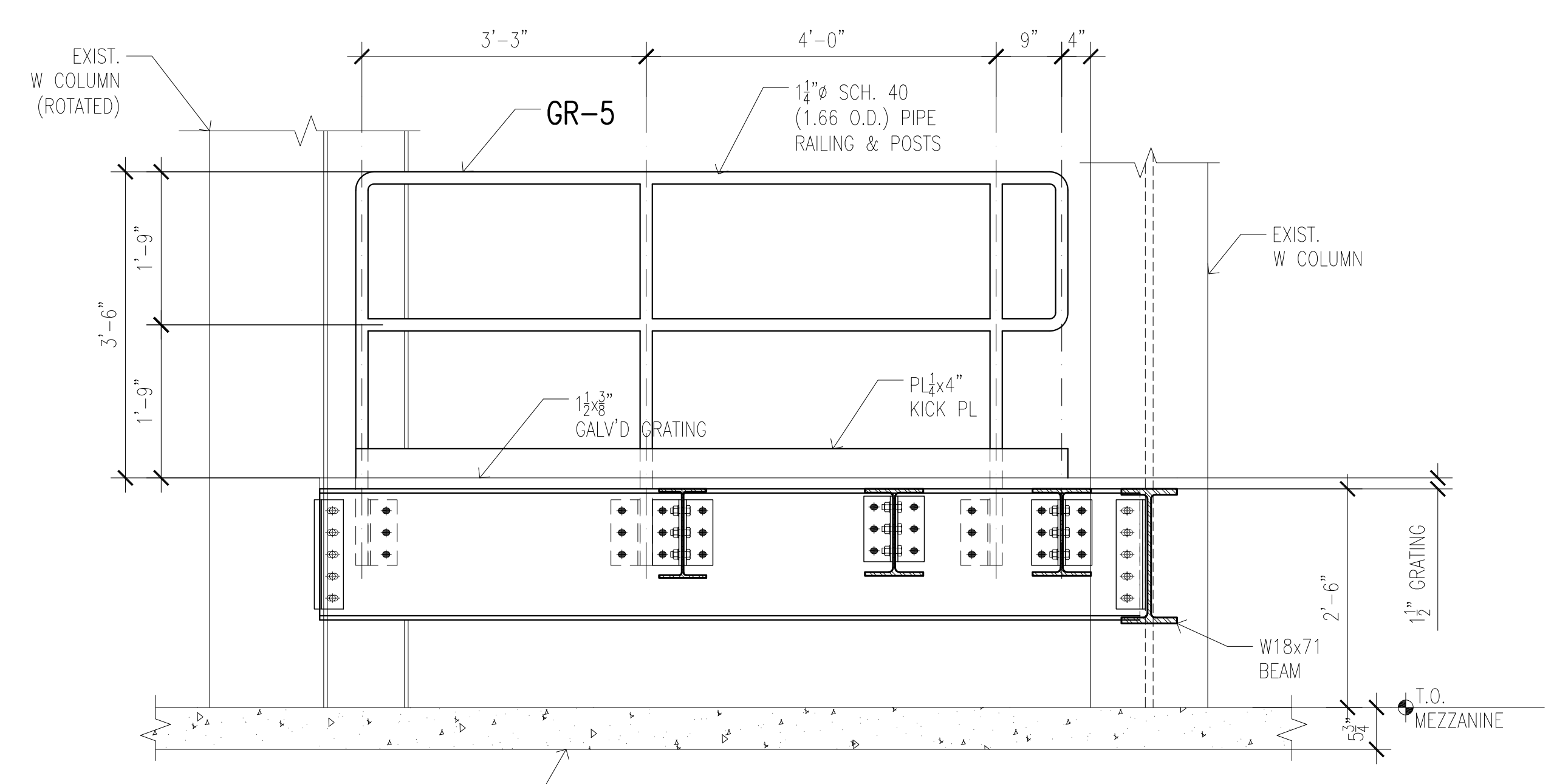
NOTES:
 F.M. DENOTES FIELD MEASUREMENTS



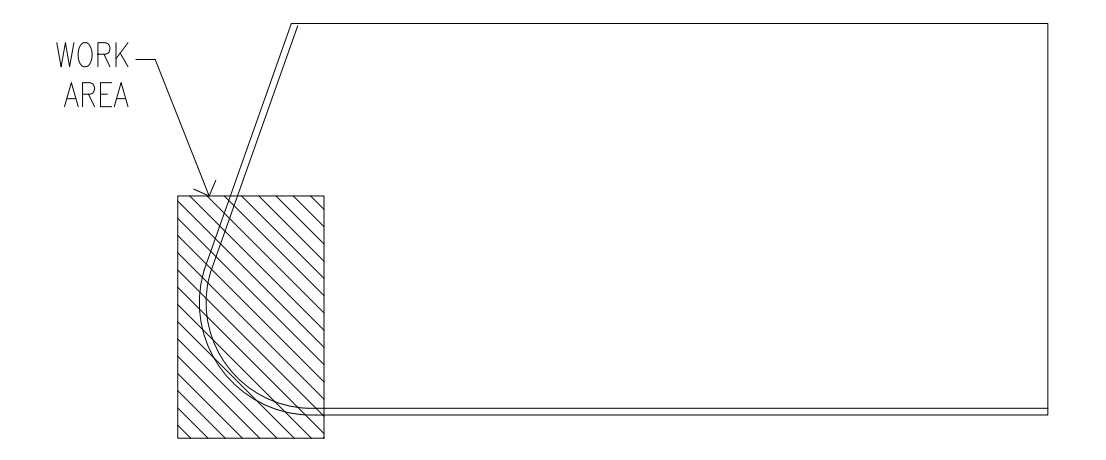
SECTION A



SECTION B



SECTION C



KEY PLAN
 ASSUMED NORTH

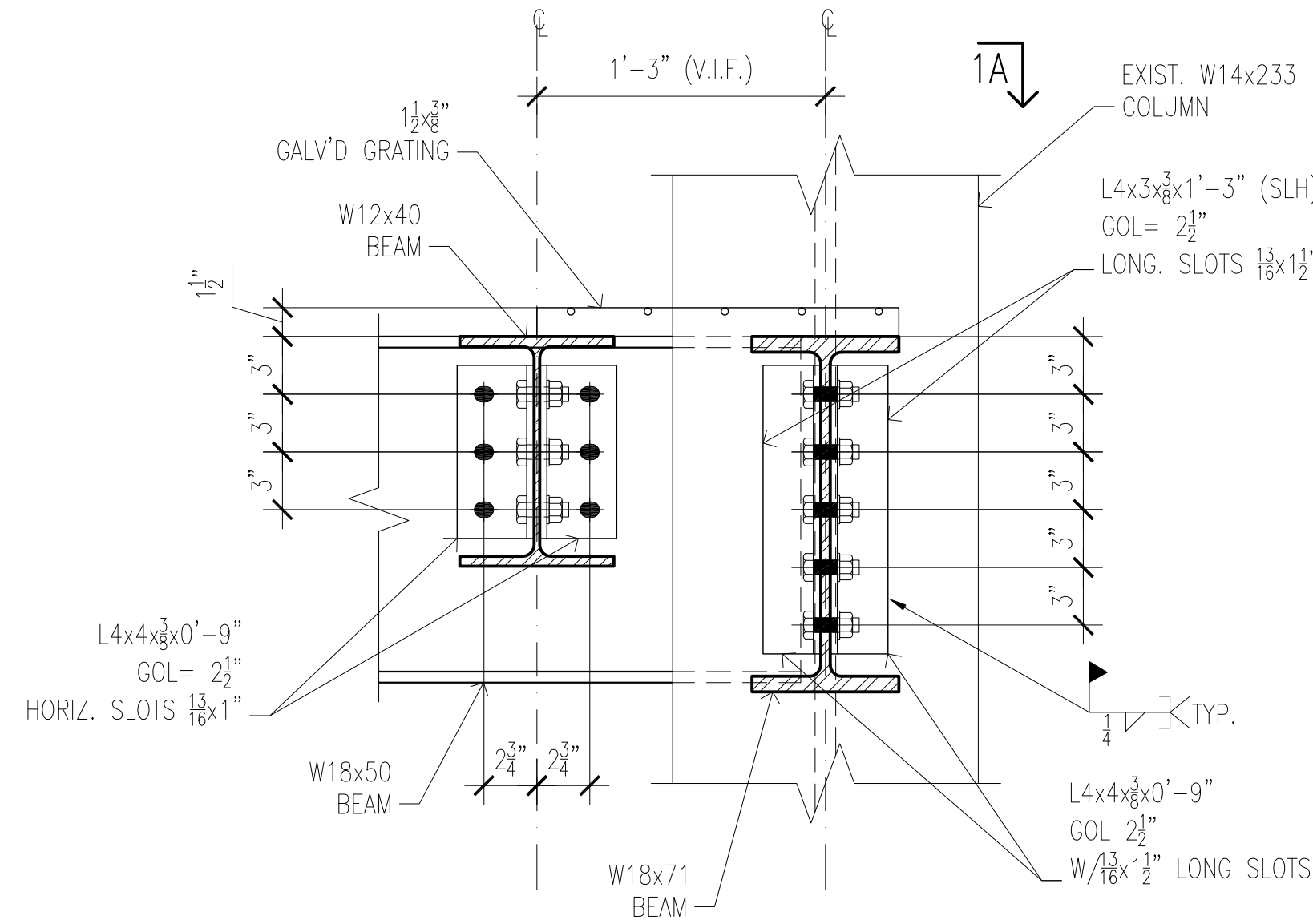
DWG. REF.: S-101.00

NOTES:
 MATERIAL: ALL STRUC. STEEL ASTM A-572 GR. 50,
 ALL PLATES, ANGLES, CHANNELS AND MISC. ASTM A-36
 HOLES: 1/8" (U.N.O.)
 BOLTS: 3/4" A325-SC (U.N.O.)
 WELD: E70XX (U.N.O.)
 PAINT: ONE COAT OF SHOP PRIMER. GRATING GALVANIZED

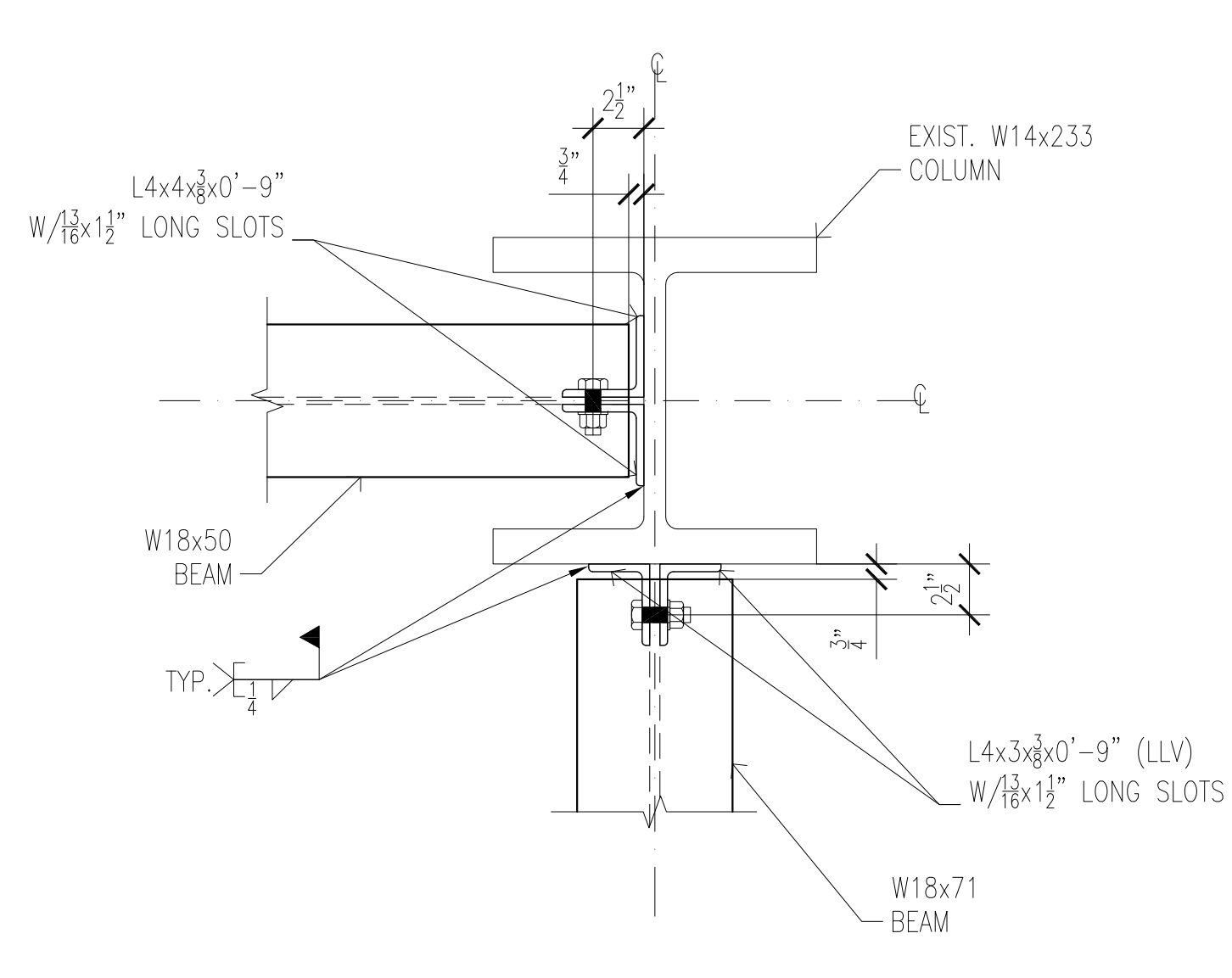
REVISIONS			PROJECT:
N°	DATE	REMARKS	
1	06/21/13	AS PER COMMENTS	NORTHEASTERN STEEL INC.
REV DATE BY PRINTS			ARCHITECT: STRUCT.
			DWG BY: A.T. DATE: 05/24/2013 CONTRACT: DRAWING: E23
			CHK'D BY: L.A. DATE: 05/24/2013

PROJECT:
DUNNAGE © ROOF

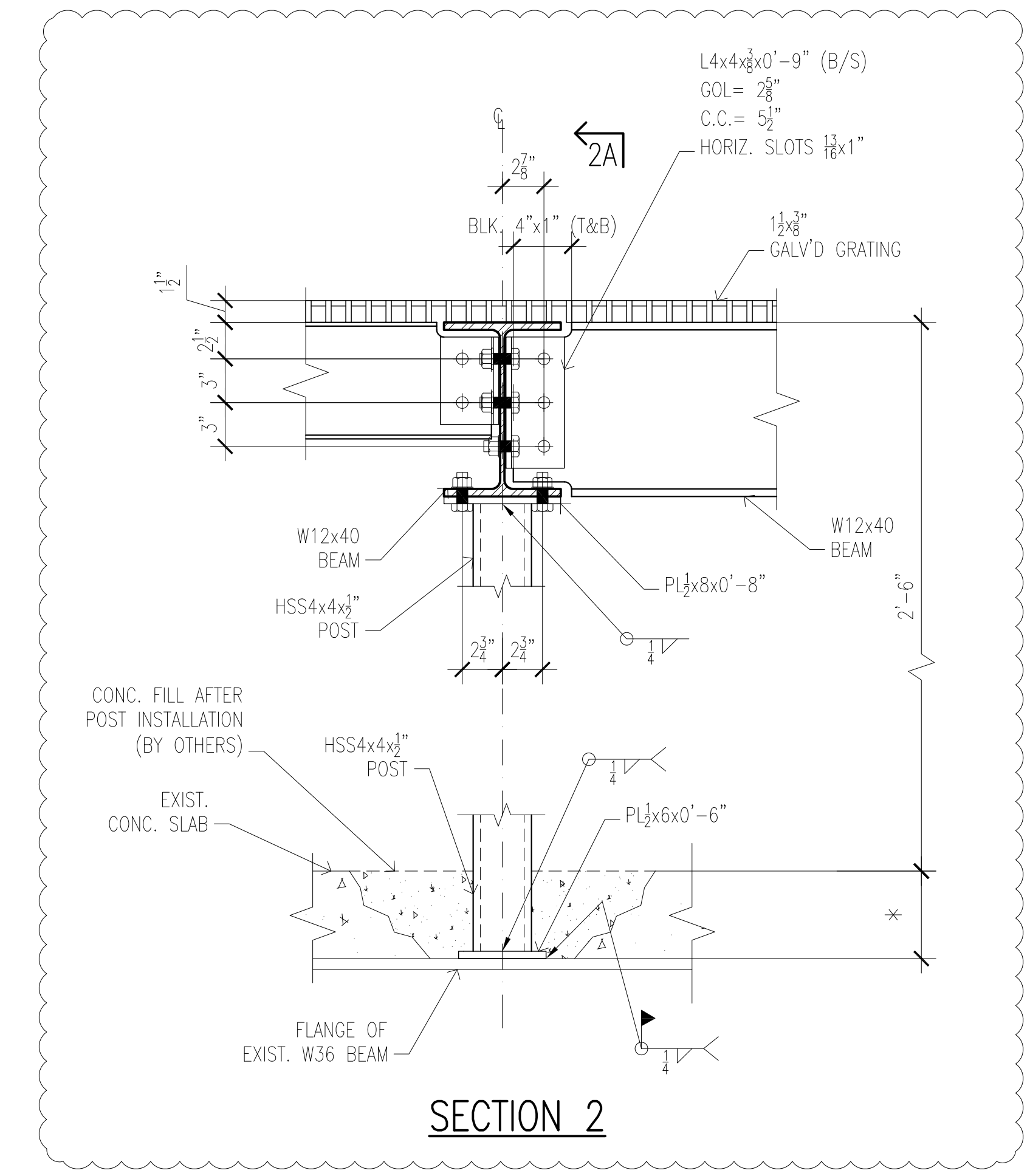
TITLE:
 DUNNAGE BATTERY SYSTEM B
 FRAMING PLAN AND SECTIONS



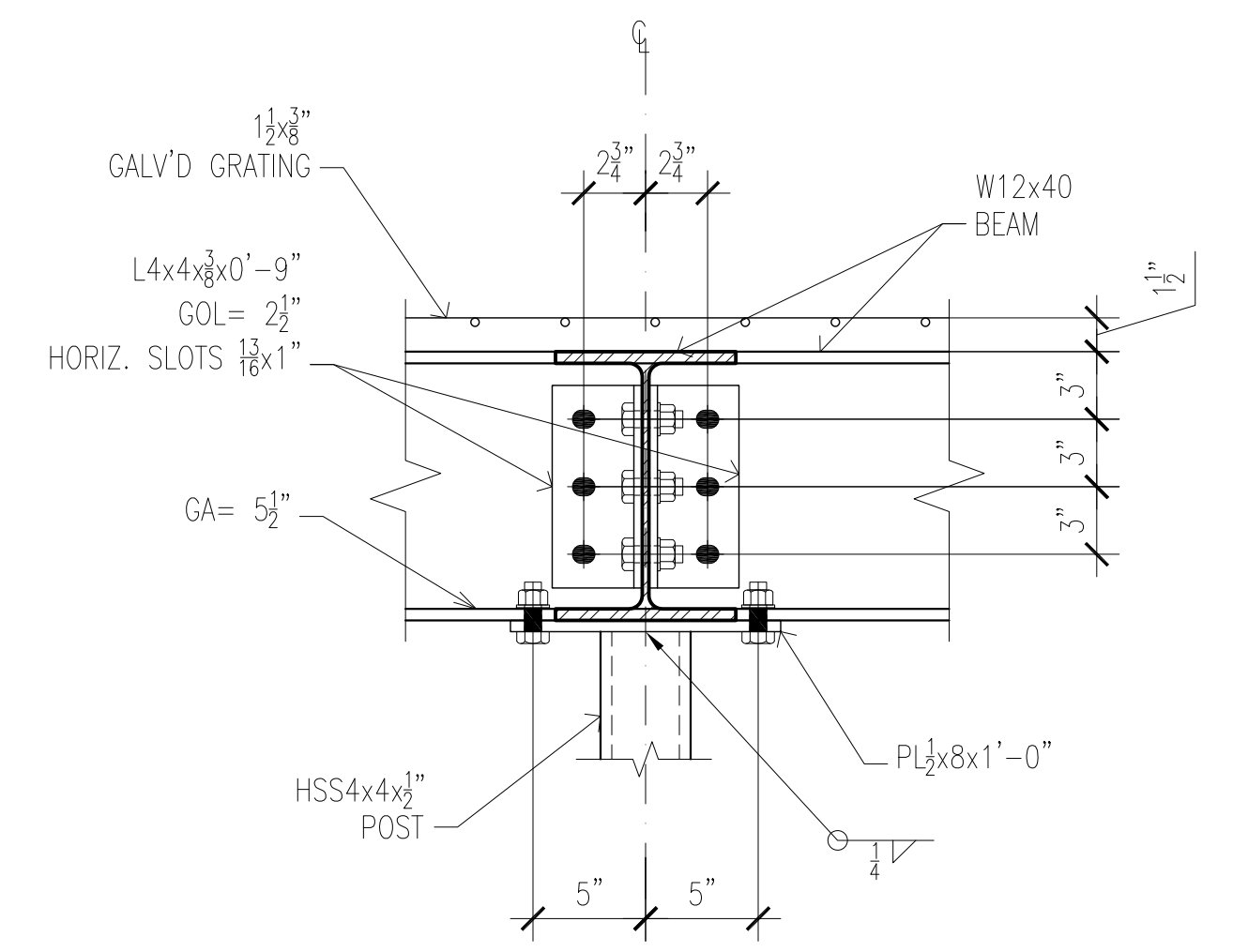
SECTION 1



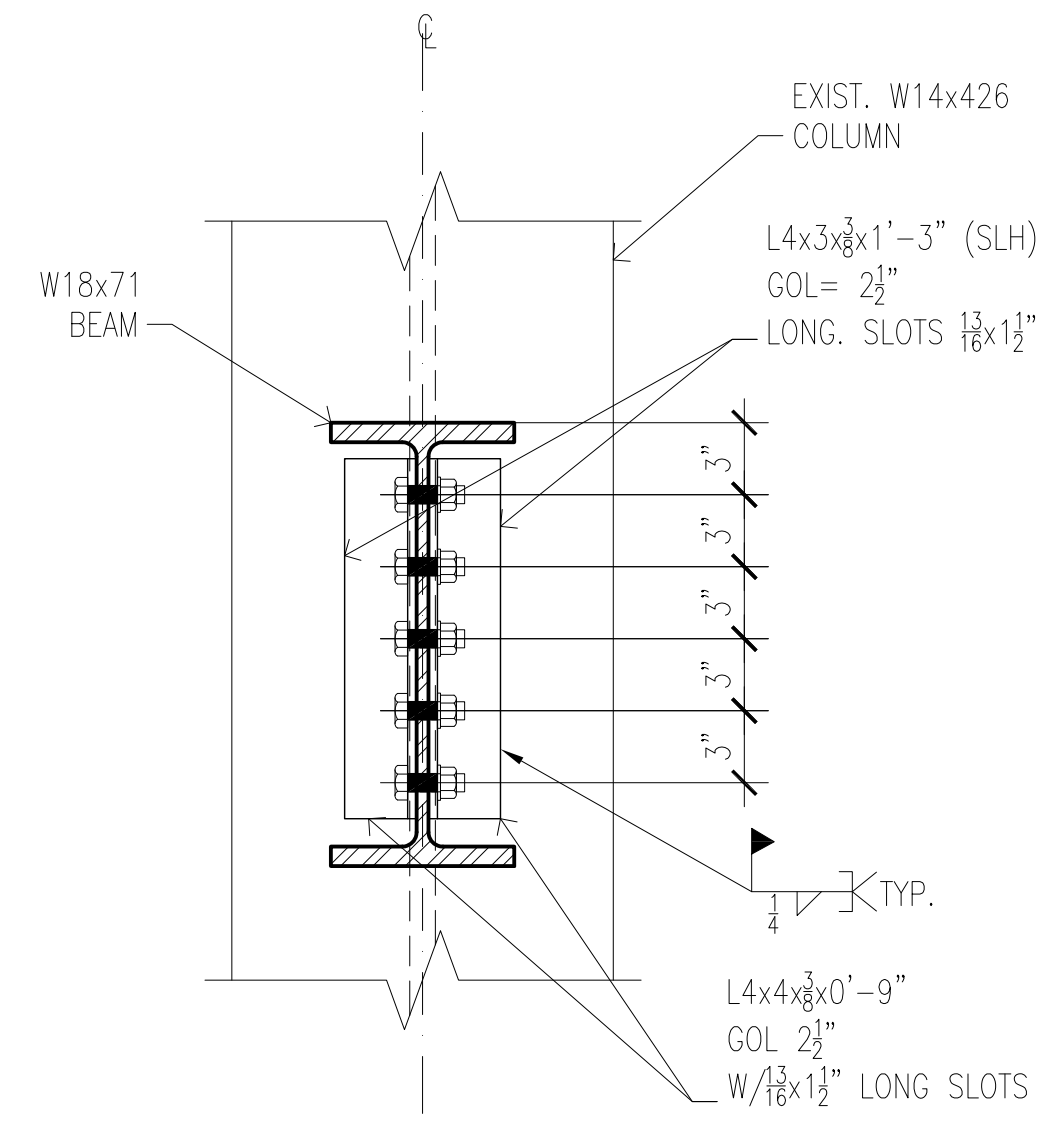
SECTION 1A



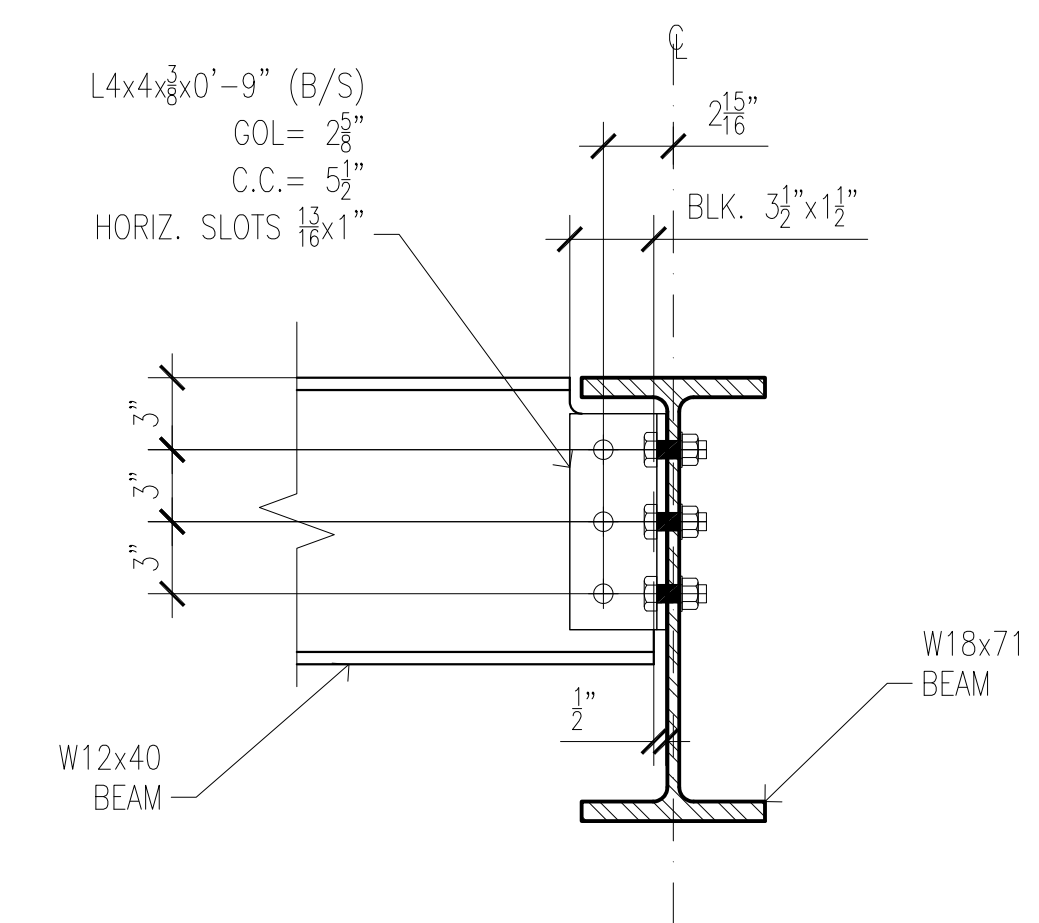
SECTION 2



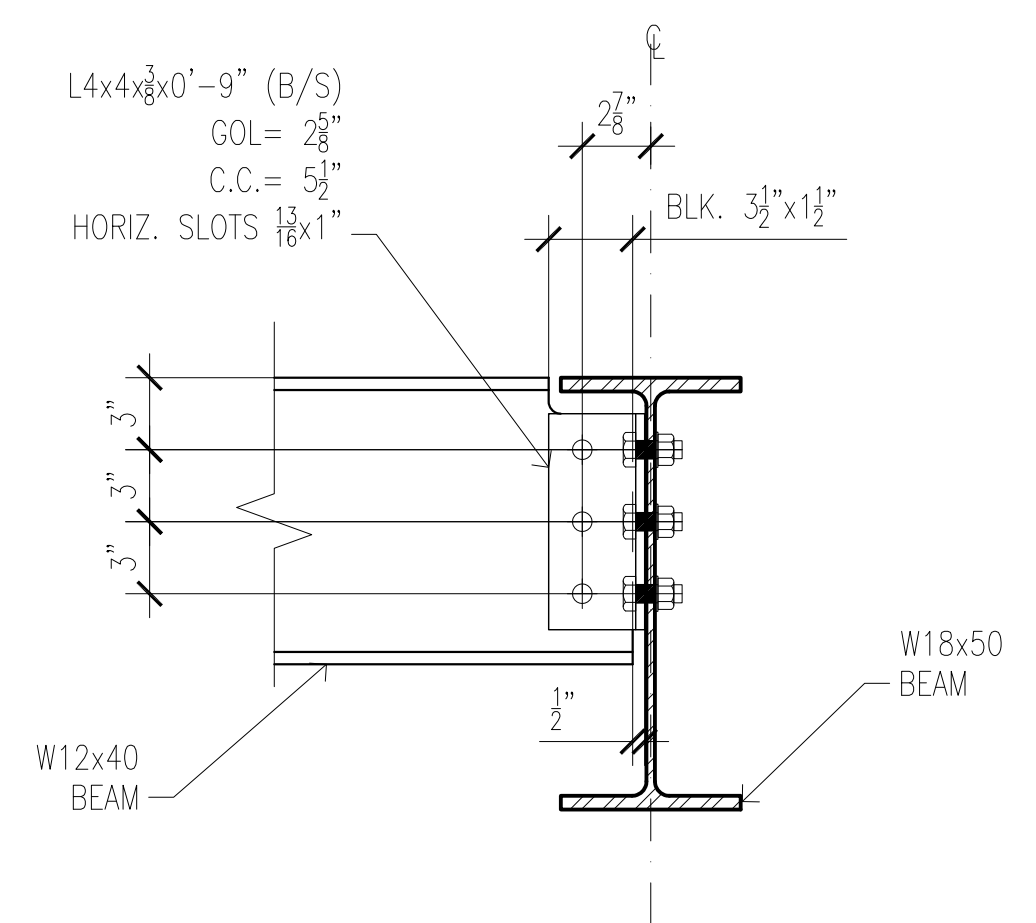
SECTION 2A



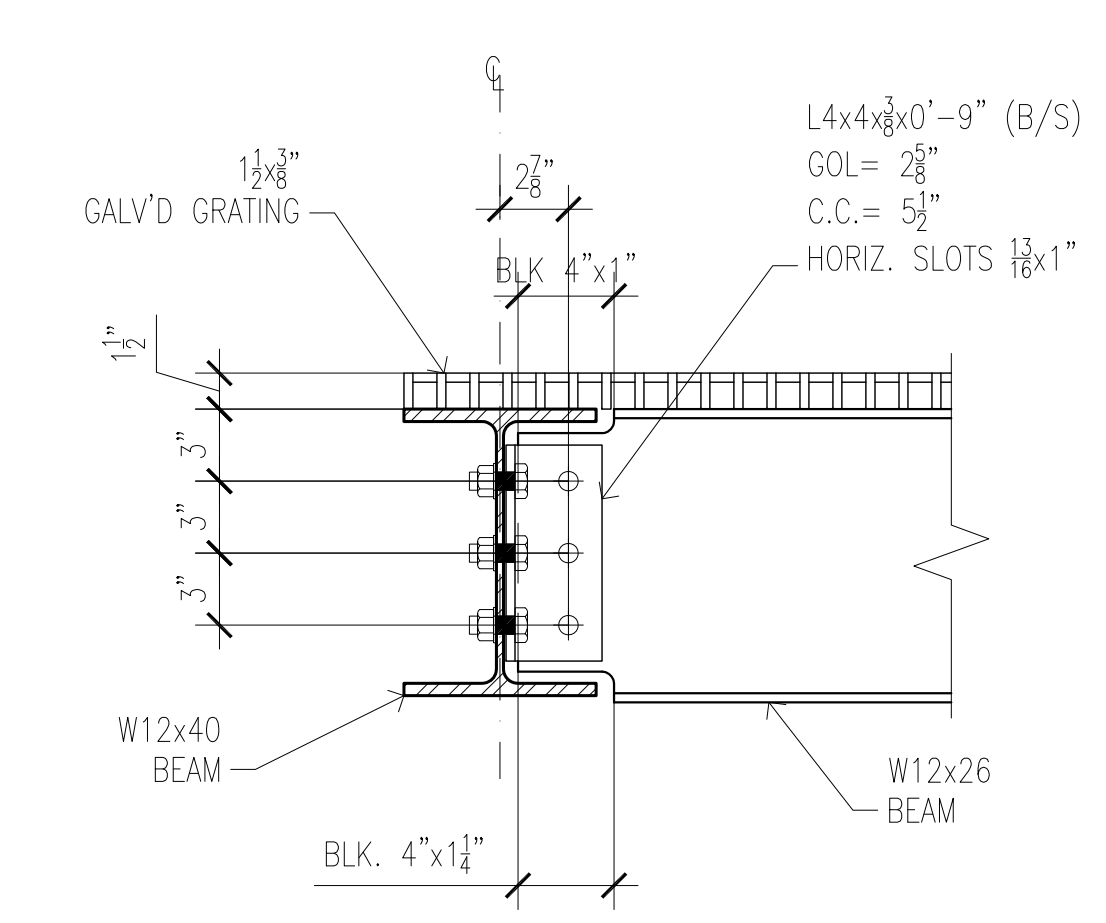
SECTION 3



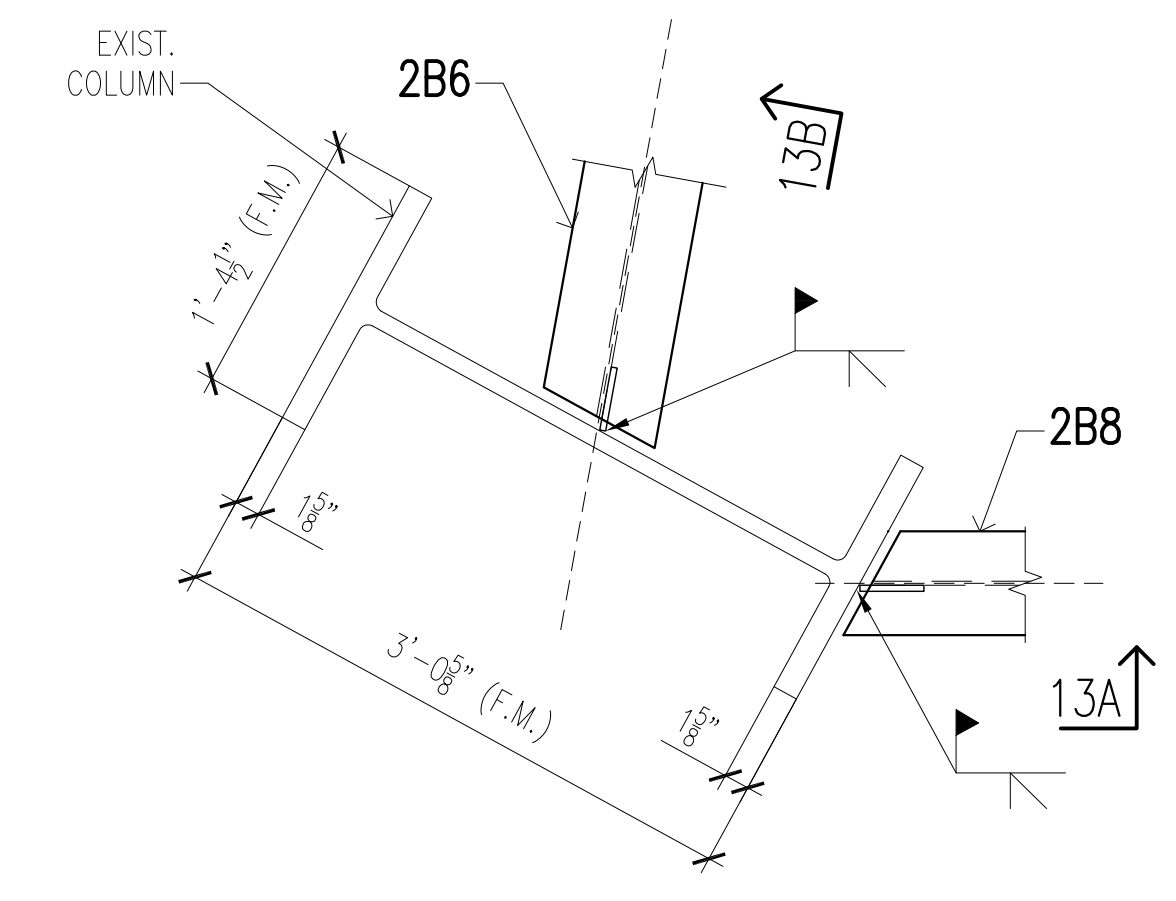
SECTION 4



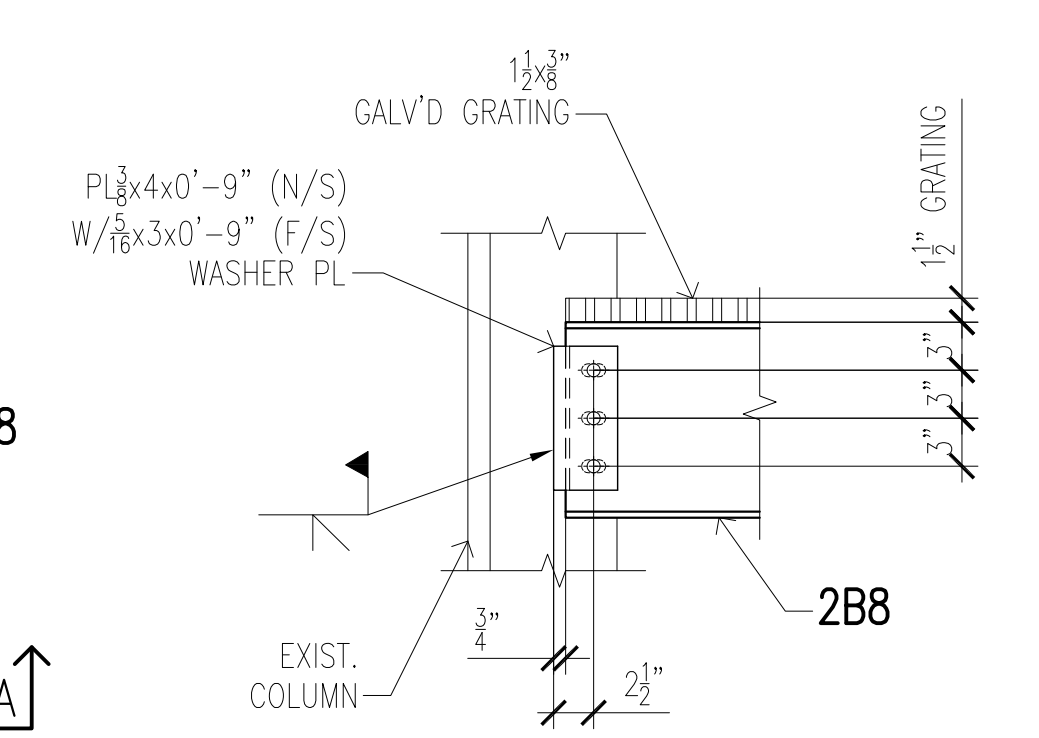
SECTION 5



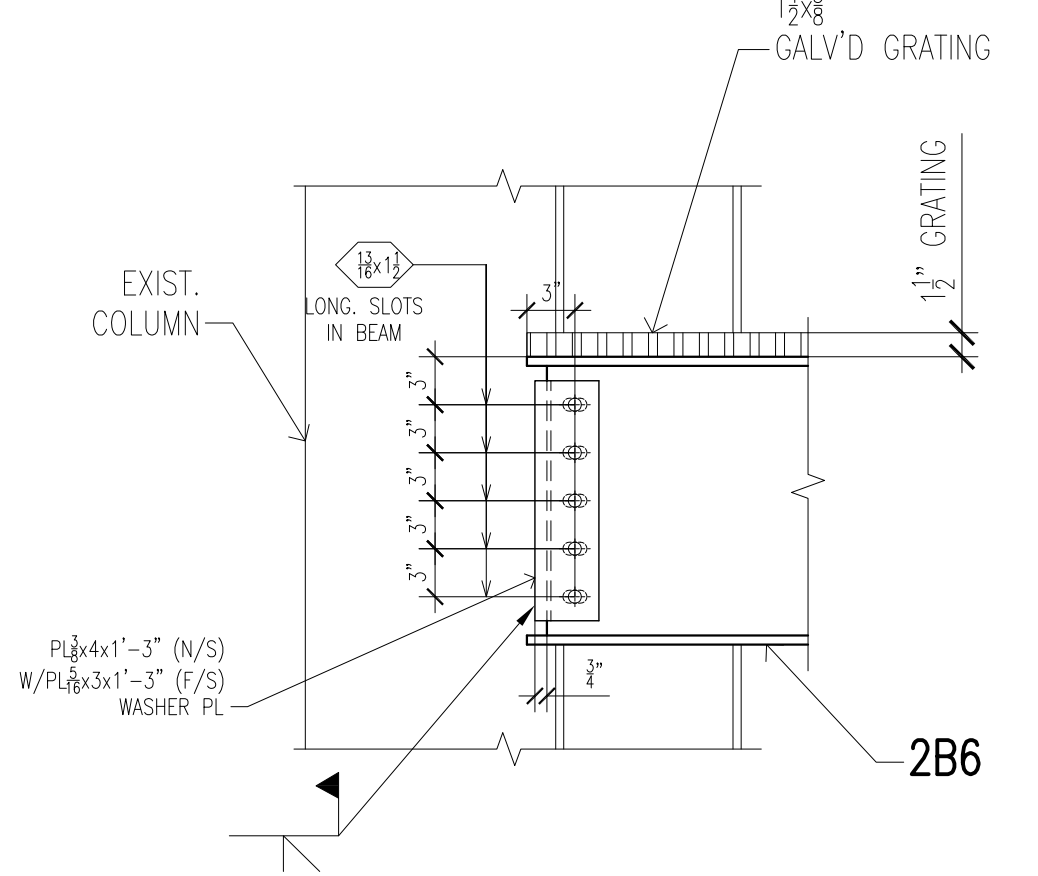
SECTION 6



SECTION 13
ROTATED FOR CLARITY



SECTION 13A



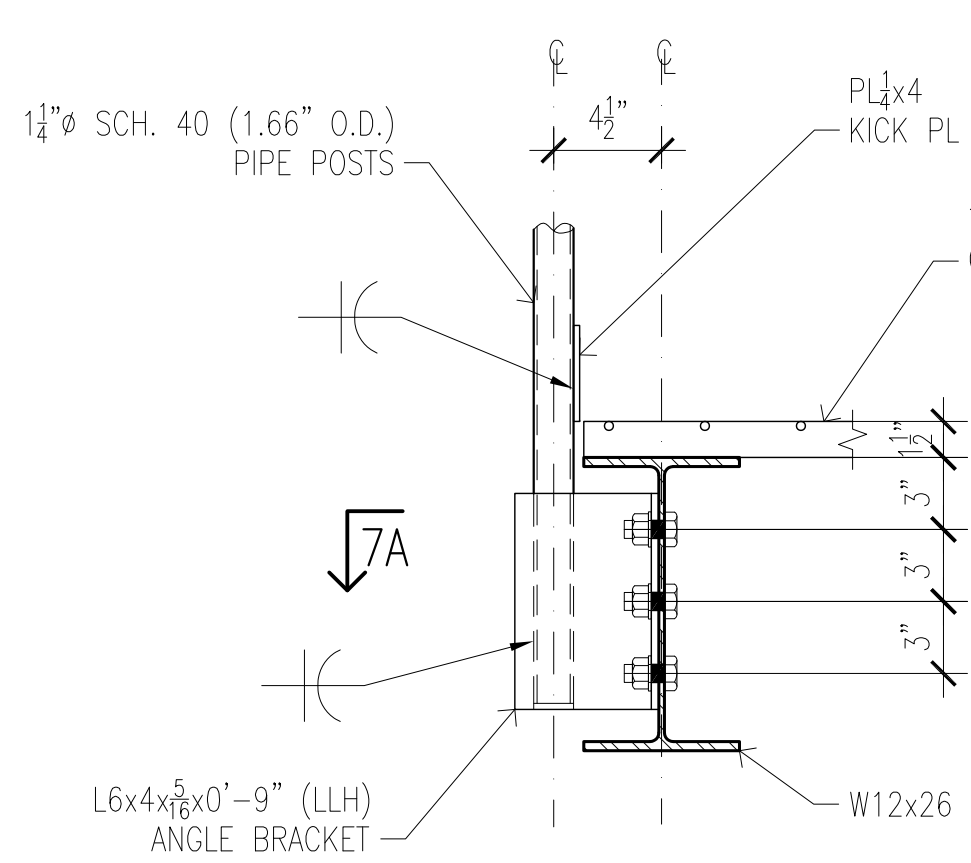
SECTION 13B

DWG. REF.: S-101.00

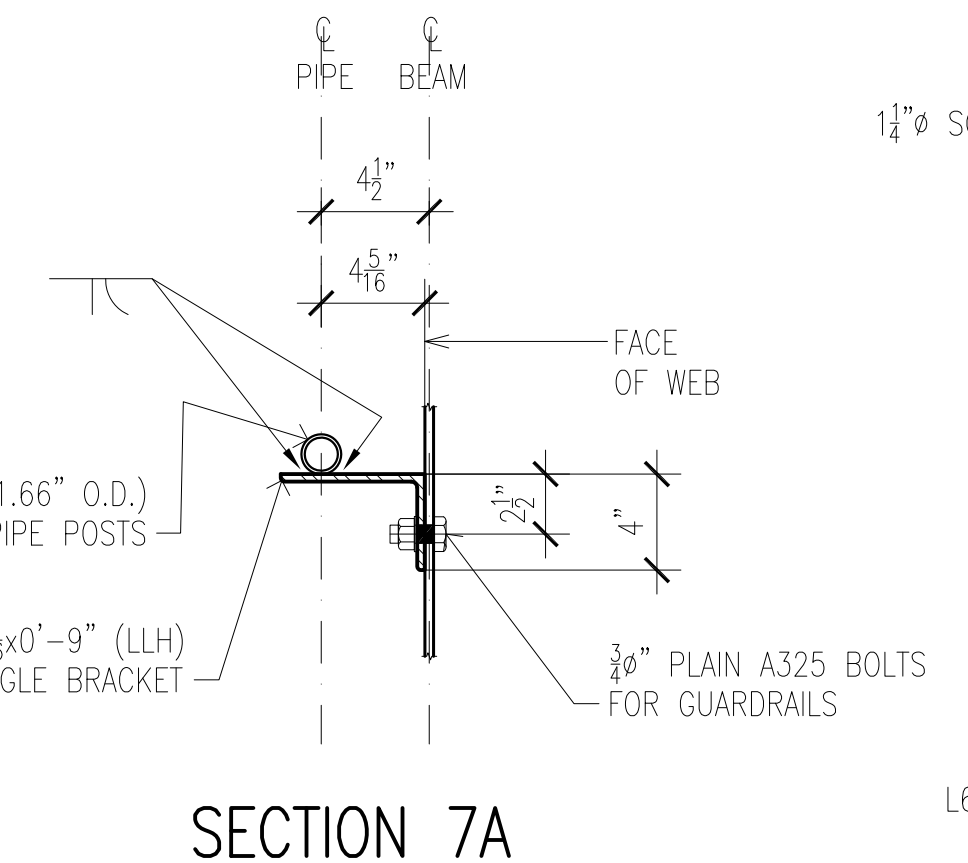
NOTES:
MATERIAL: ALL STRUC. STEEL ASTM A-572 GR. 50,
ALL PLATES, ANGLES, CHANNELS AND MISC. ASTM A-36
HOLES: 1 1/8" (U.N.O.)
BOLTS: 3/4" A325-SC (U.N.O.)
WELD: E70XX (U.N.O.)
PAINT: ONE COAT OF SHOP PRIMER. GRATING GALVANIZED

REVISIONS				PROJECT: NORTHEASTERN STEEL INC.
N°	DATE	REMARKS	AS PER COMMENTS	
△	06/21/13			
REV DATE BY PRINTS				TITLE: DUNNAGE BATTERY SYSTEM B SECTIONS AND DETAILS
ARCHITECT: STRUCT.				DWG BY DATE CONTRACT DRAWING
				CHK'D BY DATE
				L.A. 05/24/2013
				E24

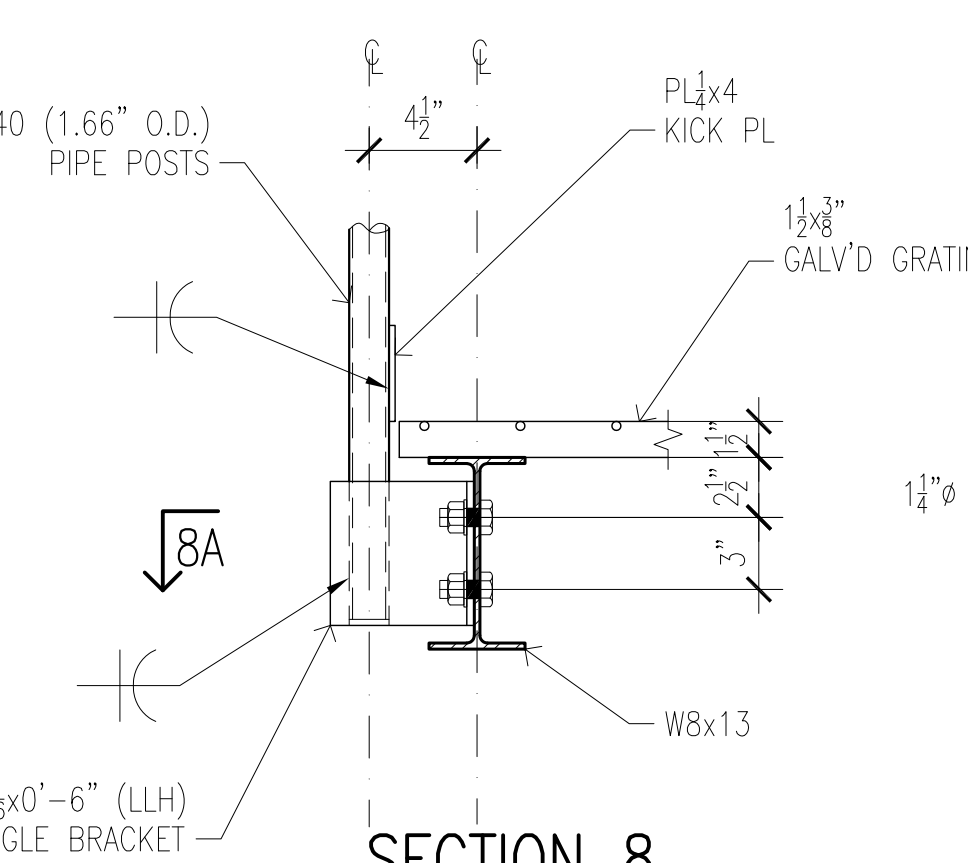
NOTES:
F.M. DENOTES FIELD MEASUREMENTS



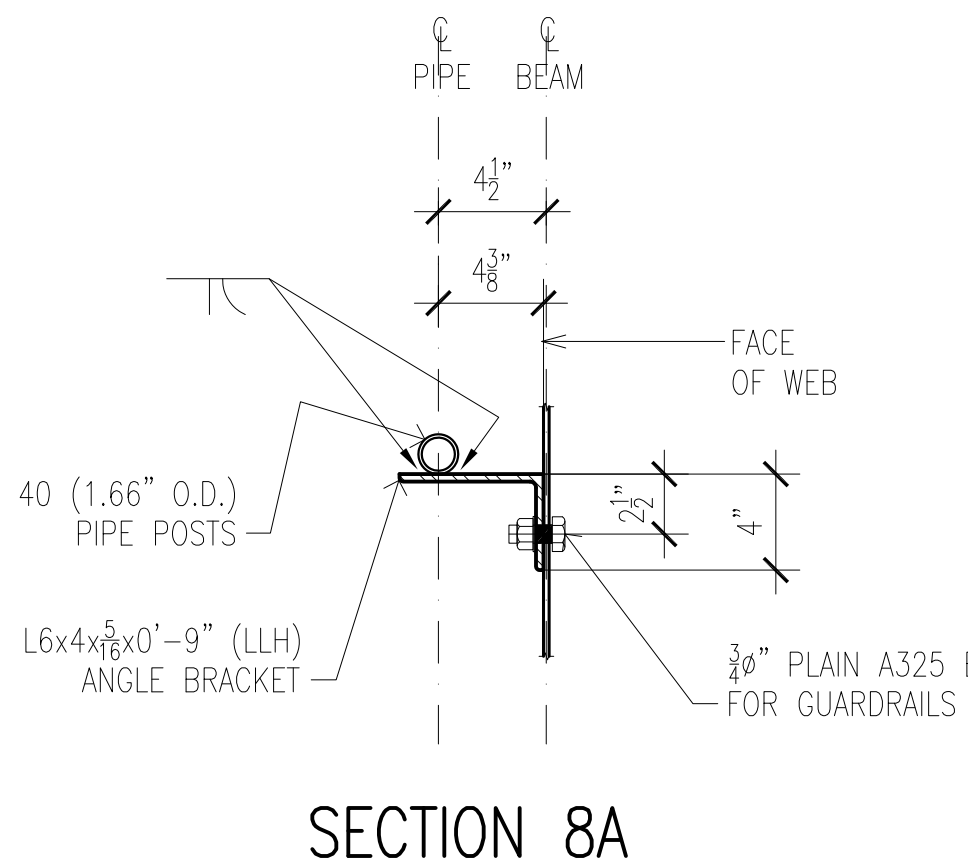
SECTION 7



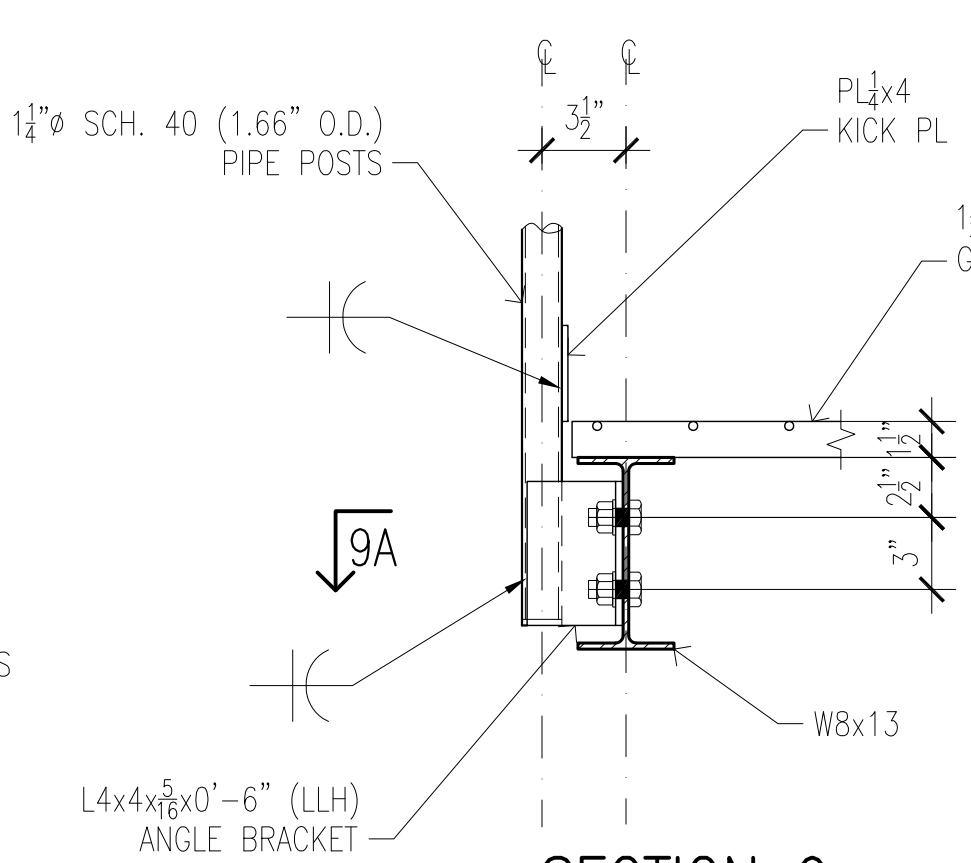
SECTION 7A



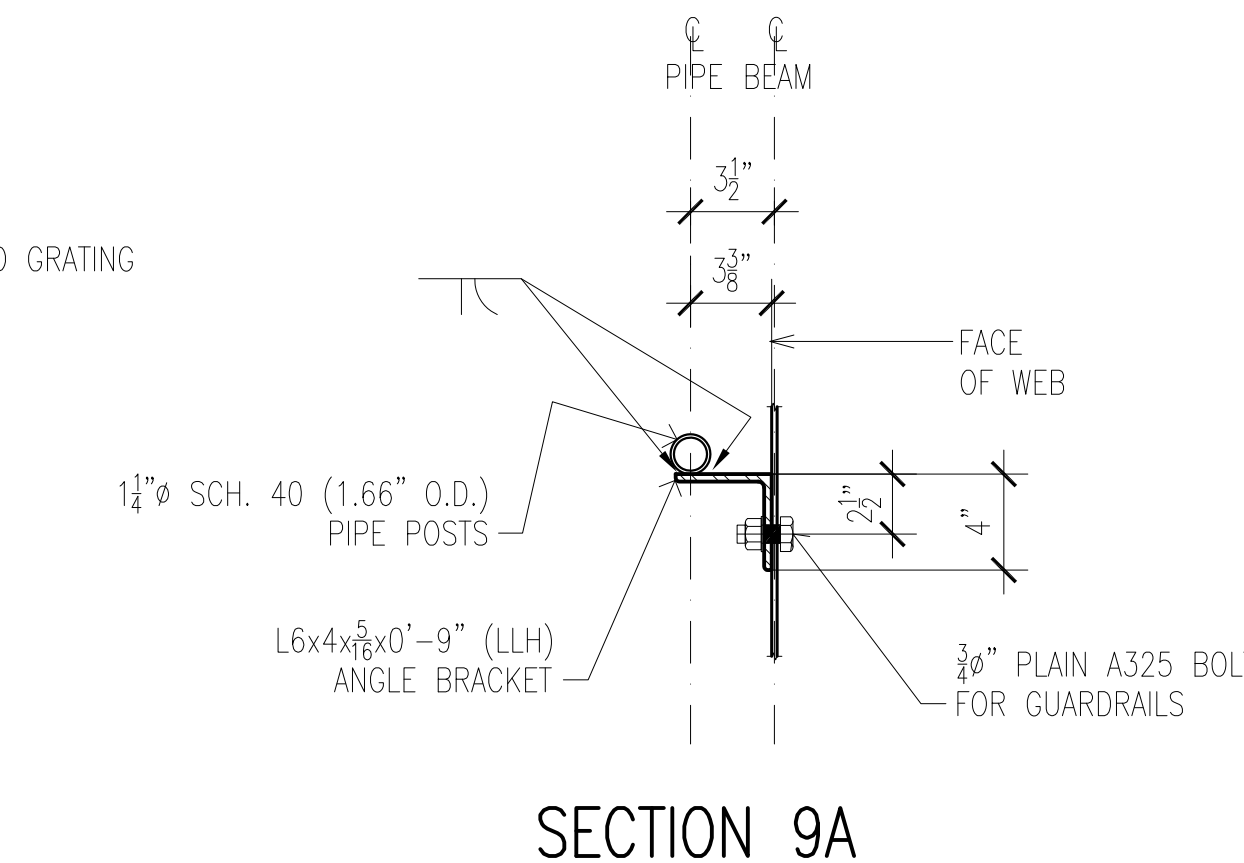
SECTION 8



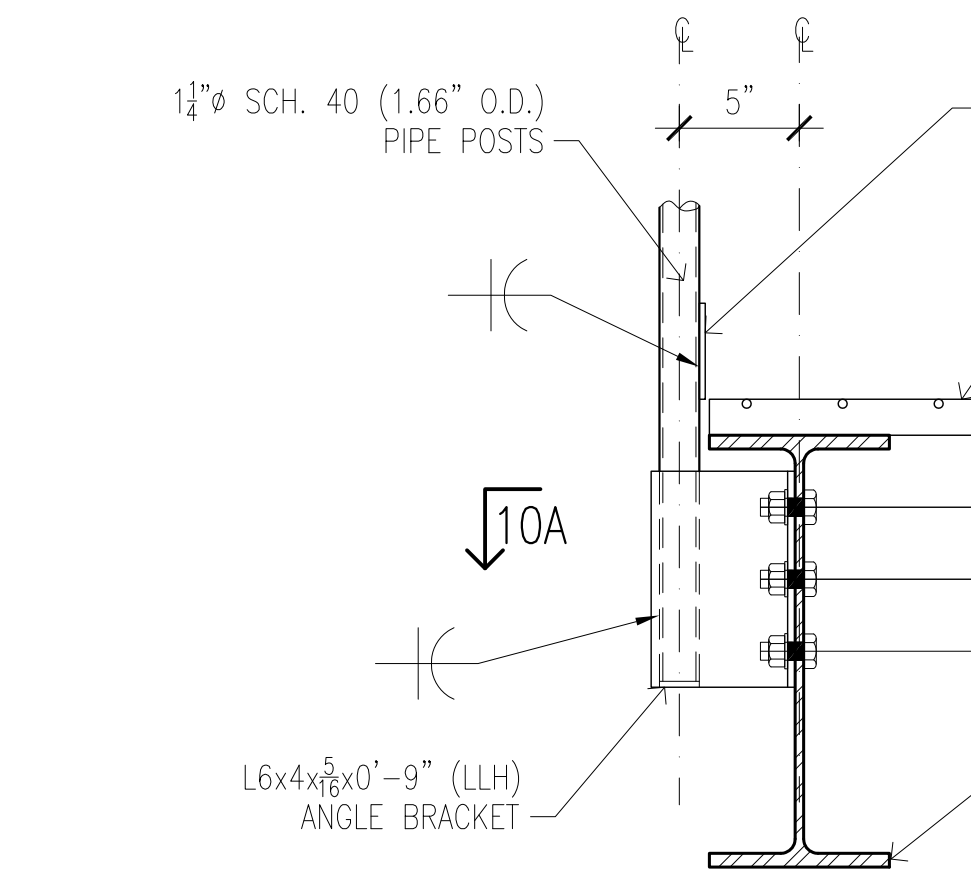
SECTION 8A



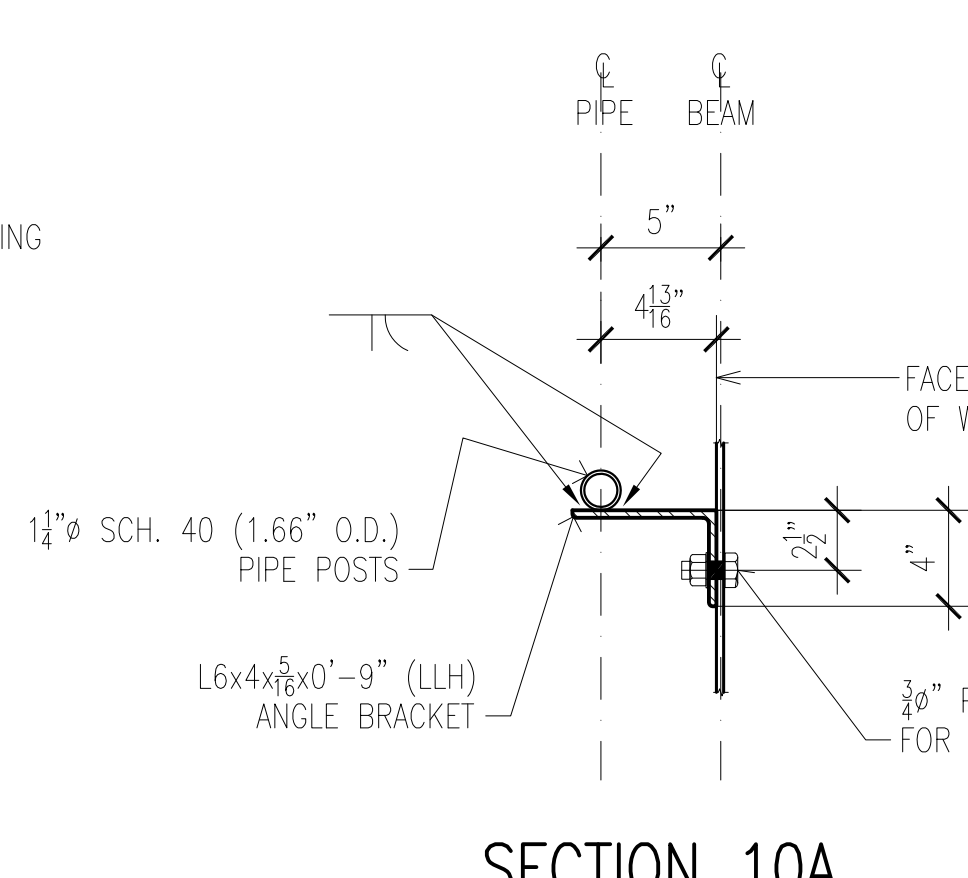
SECTION 9



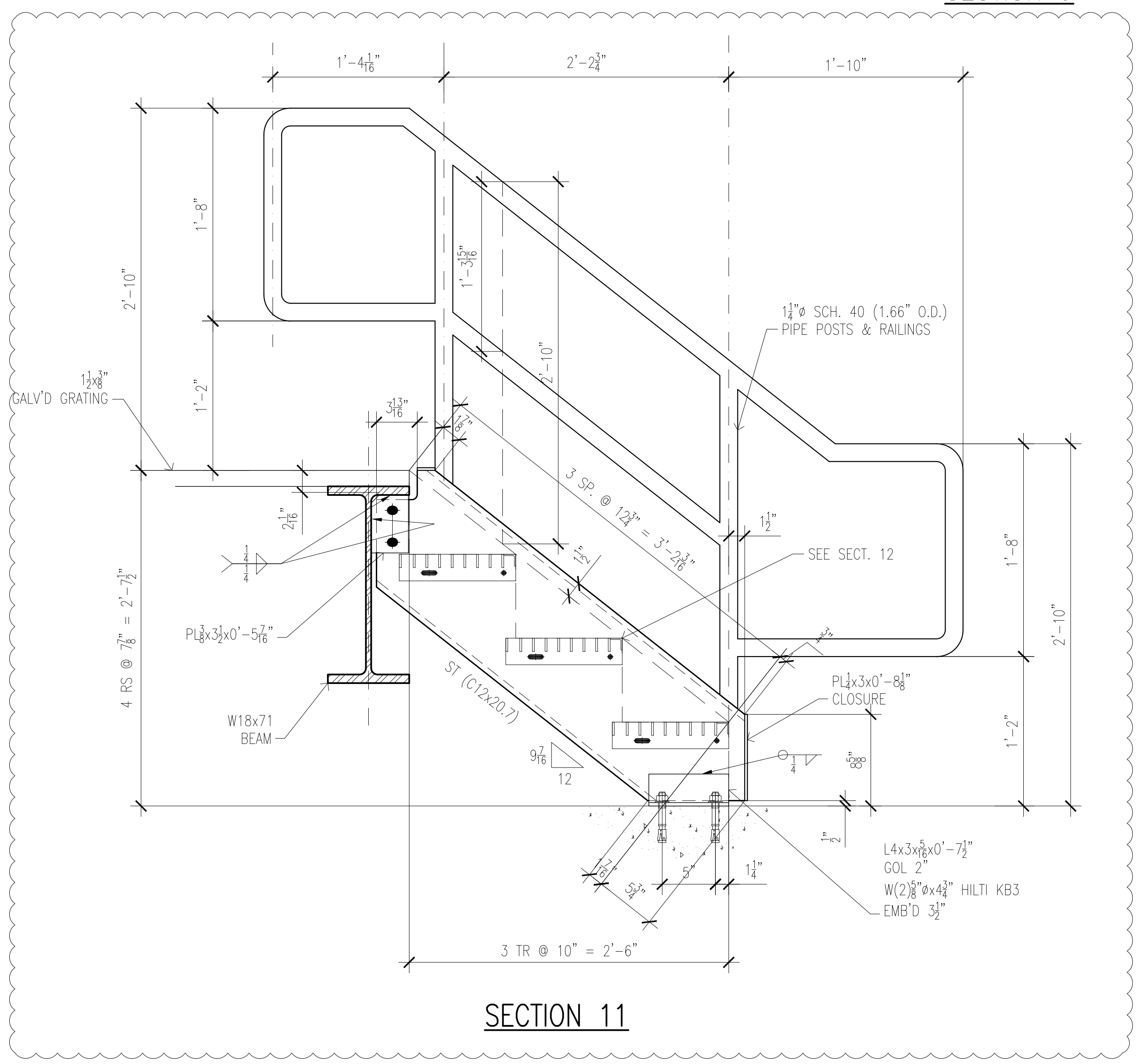
SECTION 9A



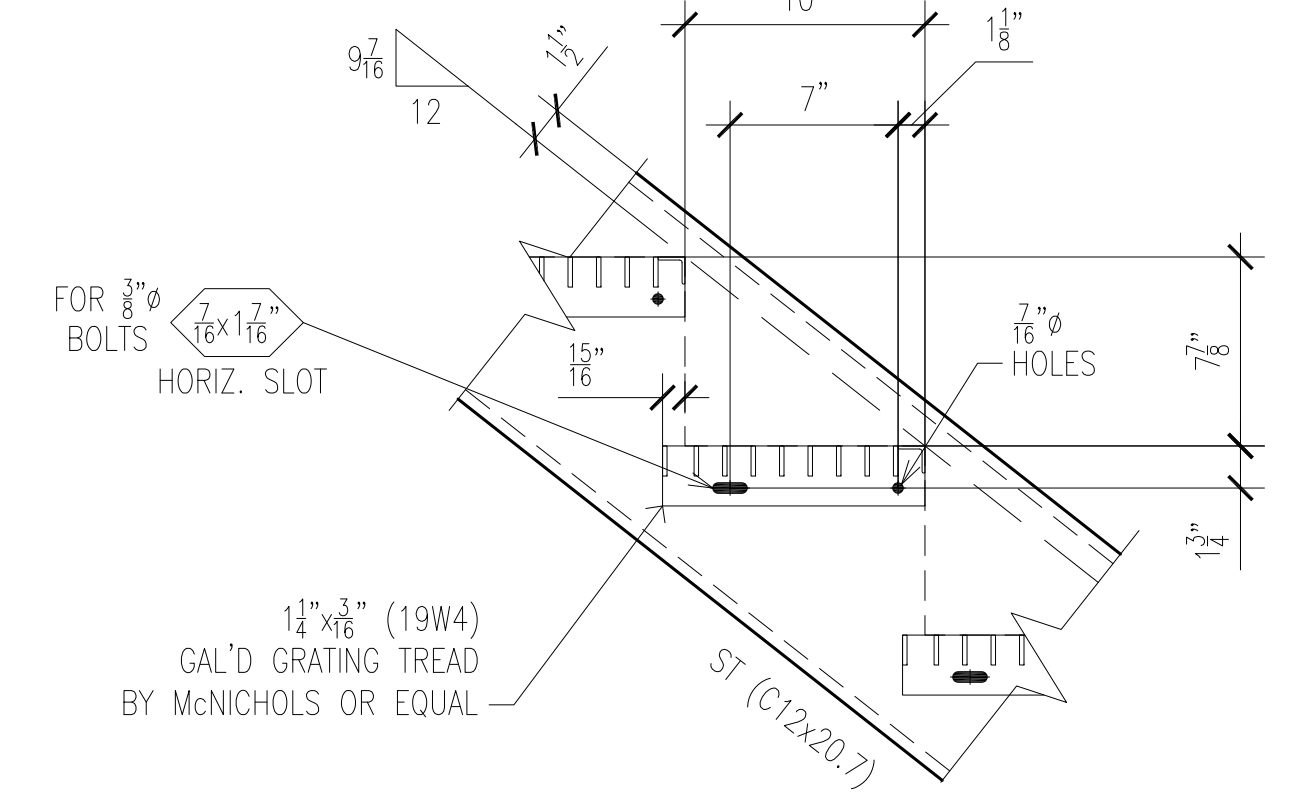
SECTION 10



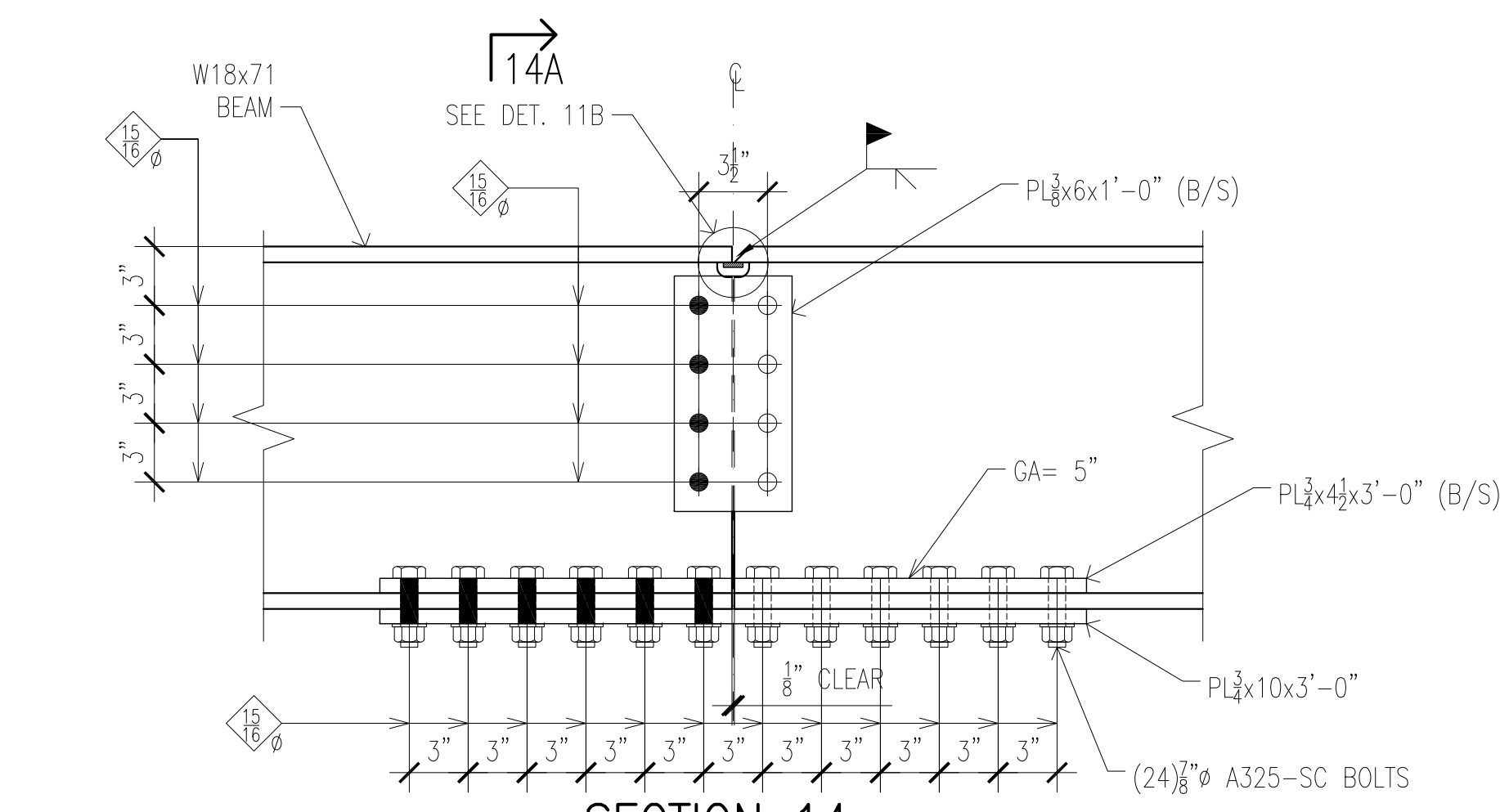
SECTION 10A



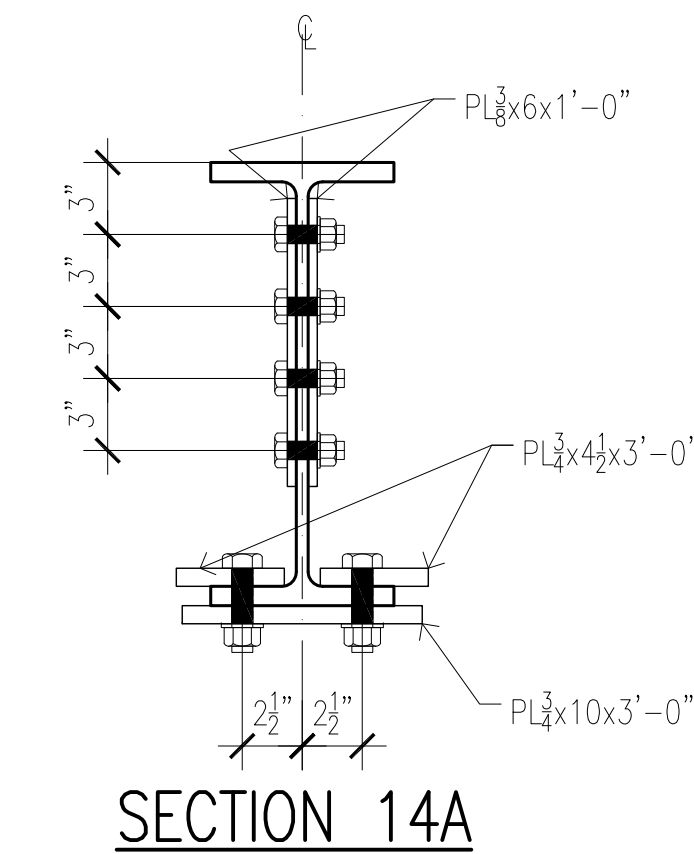
SECTION 11



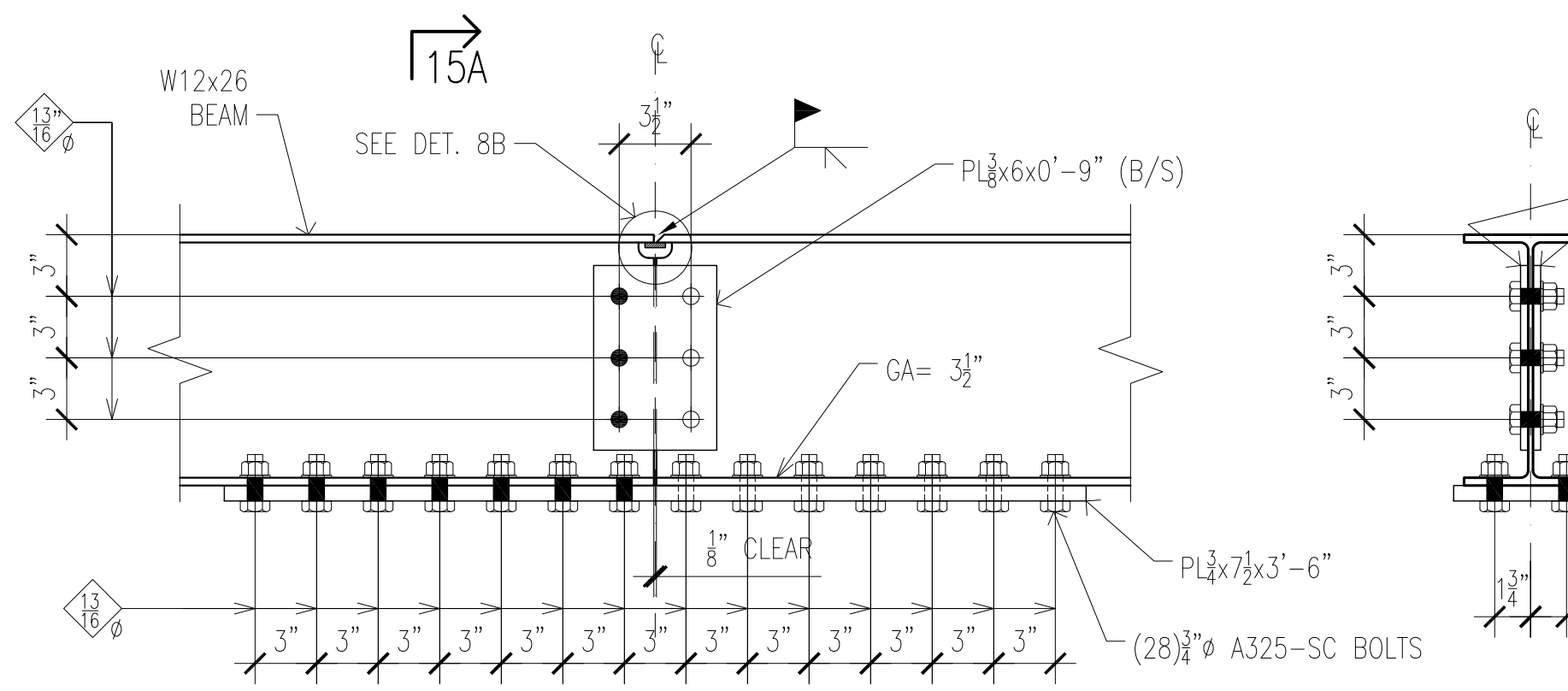
SECTION 12
TYP. TREAD/RISER DETAIL



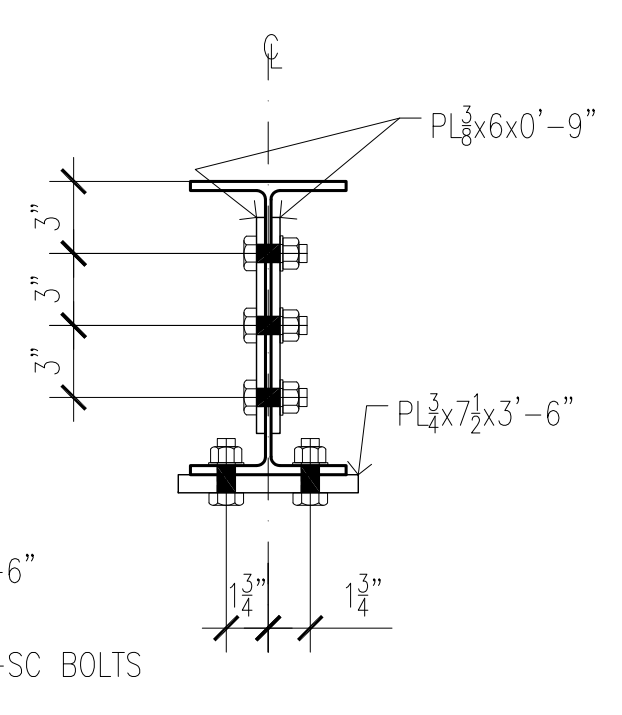
SECTION 14
SPLICE DET. @ W18x71



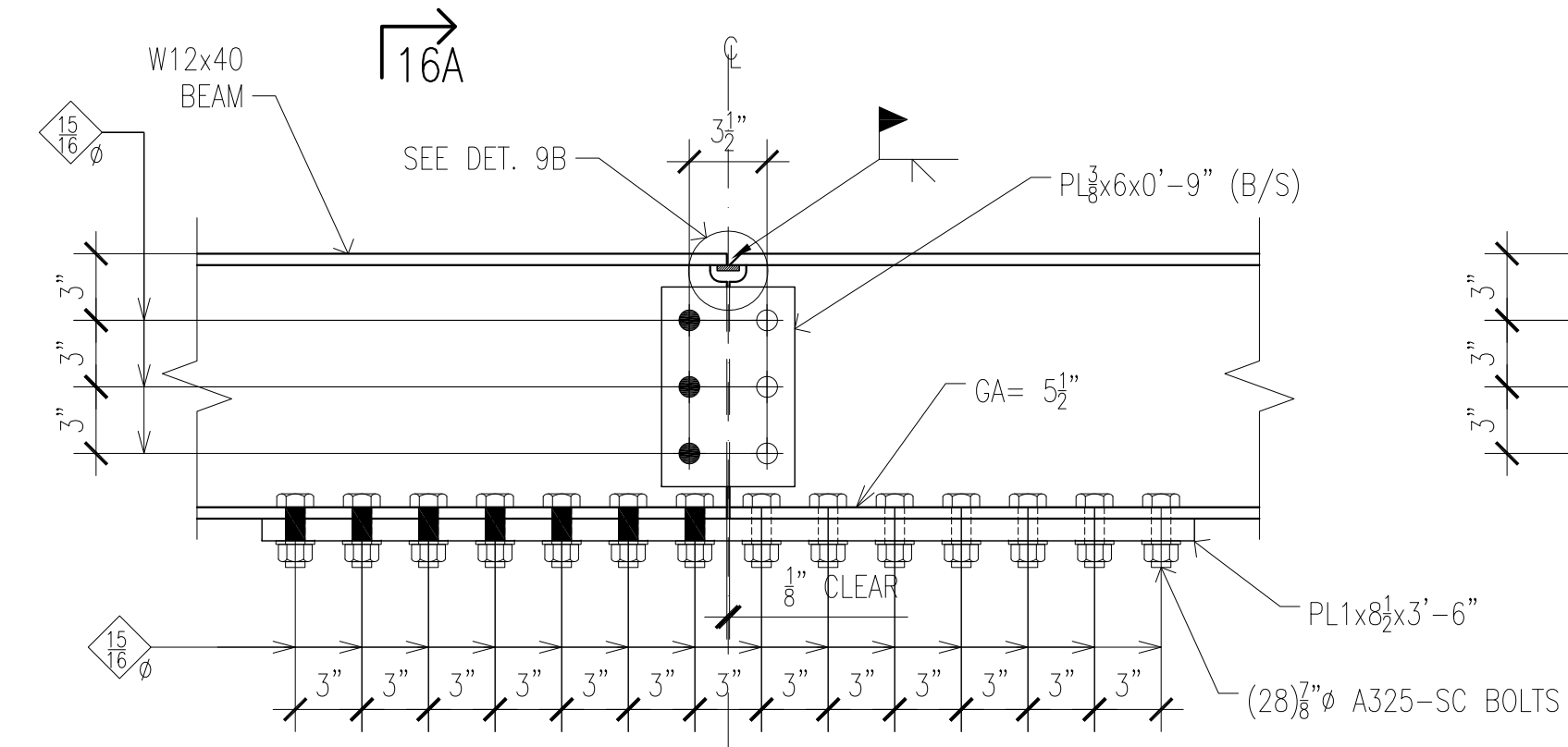
SECTION 14A



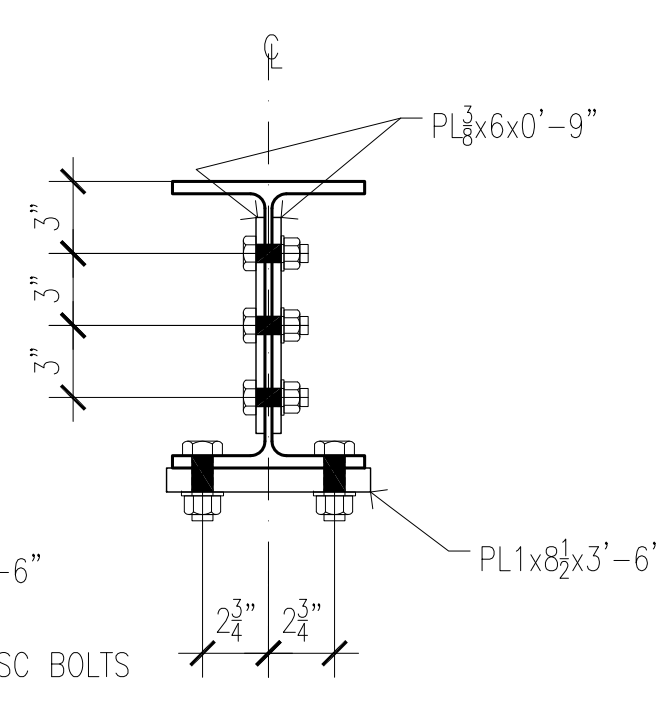
SECTION 15
SPLICE DET. @ W12x26



SECTION 15A



SECTION 16
SPLICE DET. @ W12x40



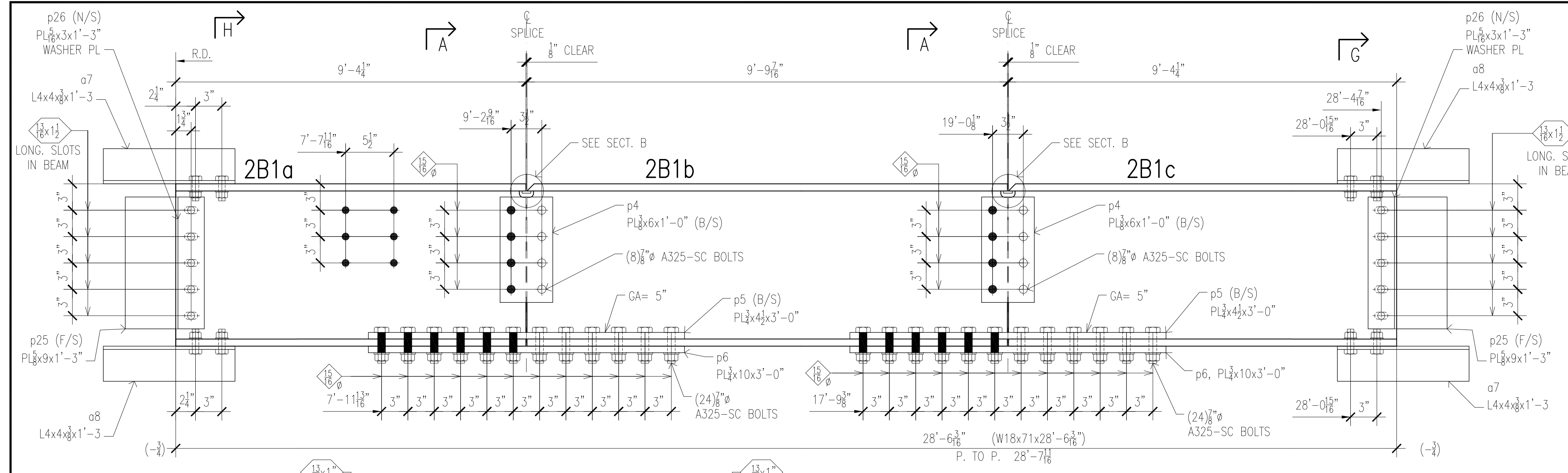
SECTION 16A

DWG. REF.: S-101.00 & S-200.00

NOTES:
 MATERIAL: ALL STRUC. STEEL ASTM A-572 GR. 50,
 ALL PLATES, ANGLES, CHANNELS AND MISC. ASTM A-36
 HOLES: 1/8 inch (U.N.O.)
 BOLTS: 3/8 inch A325-SC (U.N.O.)
 WELD: E70XX (U.N.O.)
 PAINT: ONE COAT OF SHOP PRIMER. GRATING GALVANIZED

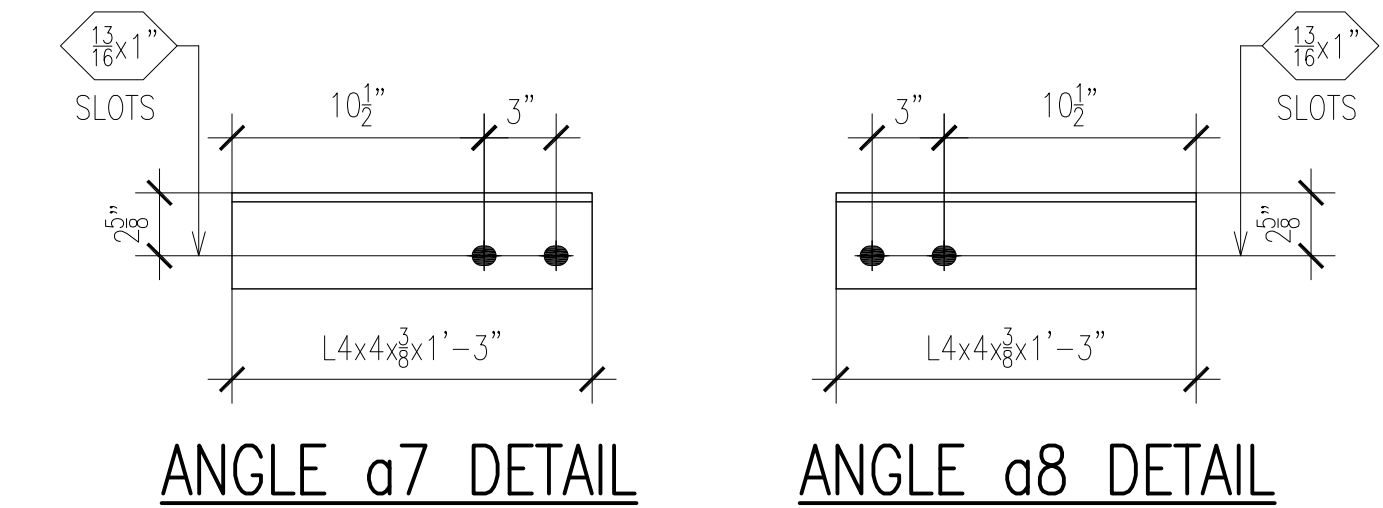
REVISIONS			PROJECT: DUNNAGE @ ROOF
N°	DATE	REMARKS	
1	06/21/13	AS PER COMMENTS	TITLE: DUNNAGE BATTERY SYSTEM B SECTIONS AND DETAILS
			ARCHITECT: STRUCT.
			DWG BY A.T.
			DATE: 05/24/2013
			CONTRACT
			DRAWING
			E24

NOTES:
F.M. DENOTES FIELD MEASUREMENTS



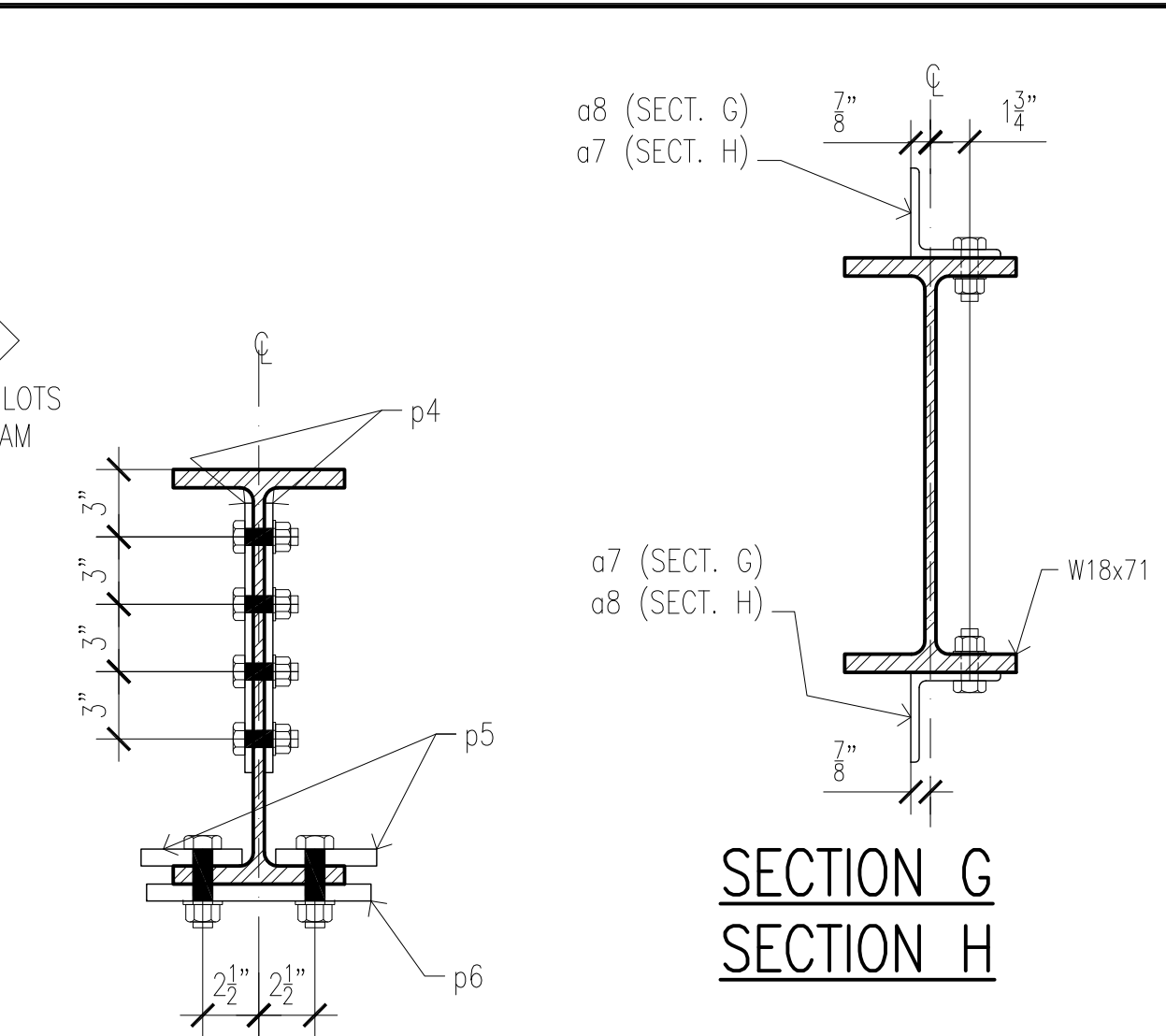
ONE BEAM 2B1 REQ'D

FIELD BOLTS LIST	
24	3/8" A325 BOLTS 3"
8	3/8" A325 BOLTS 2 1/2"



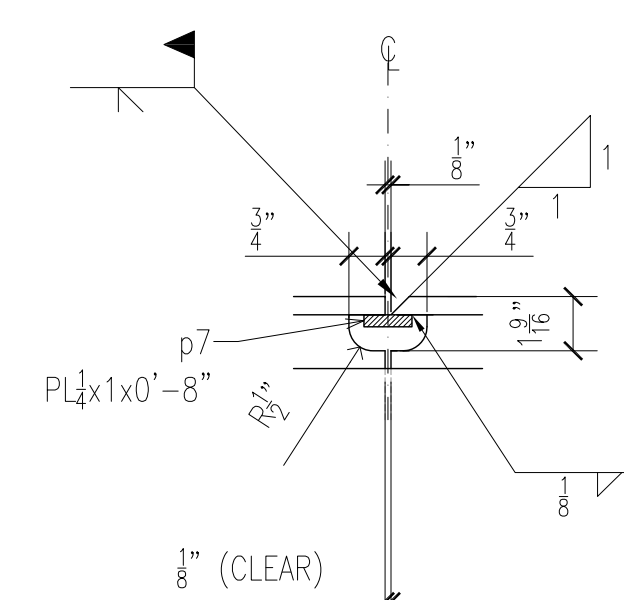
ANGLE a7 DETAIL

ANGLE a8 DETAIL

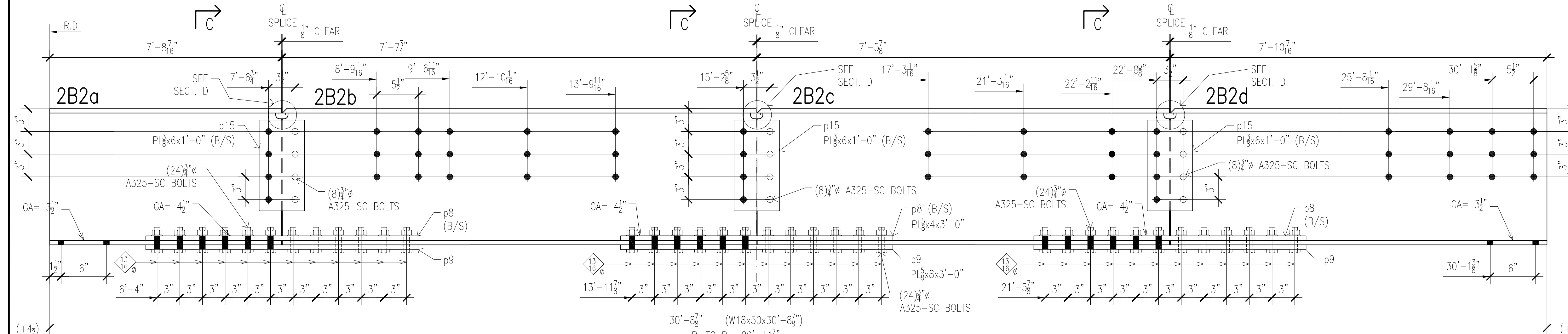


SECTION G
SECTION H

SECTION A



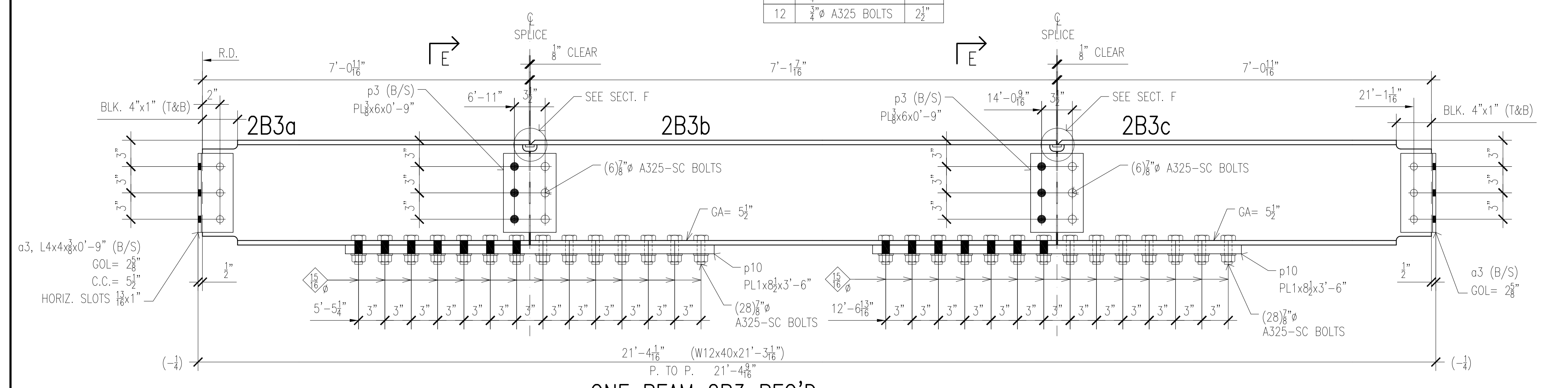
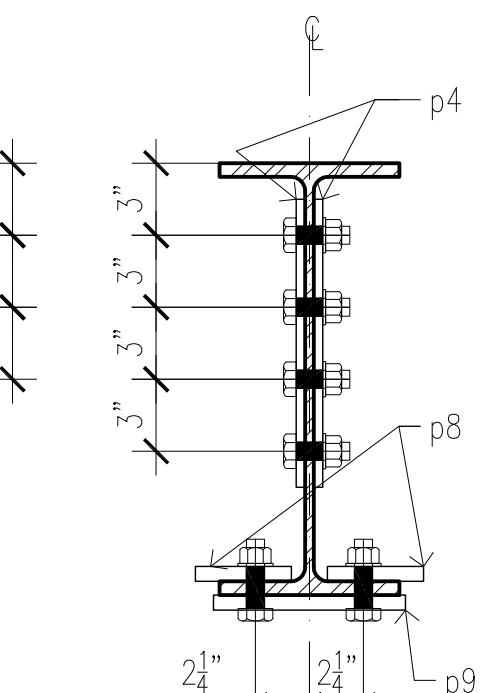
SECTION B



ONE BEAM 2B2 REQ'D

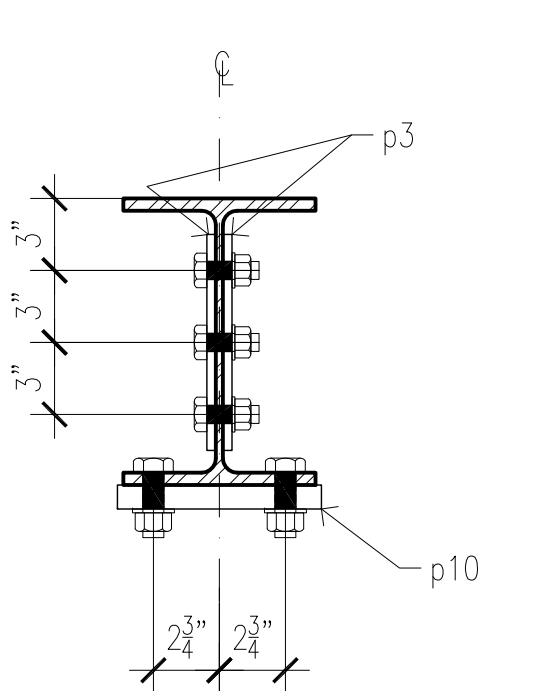
FIELD BOLTS LIST	
36	3/8" A325 BOLTS 3"
12	3/8" A325 BOLTS 2 1/2"

SECTION C

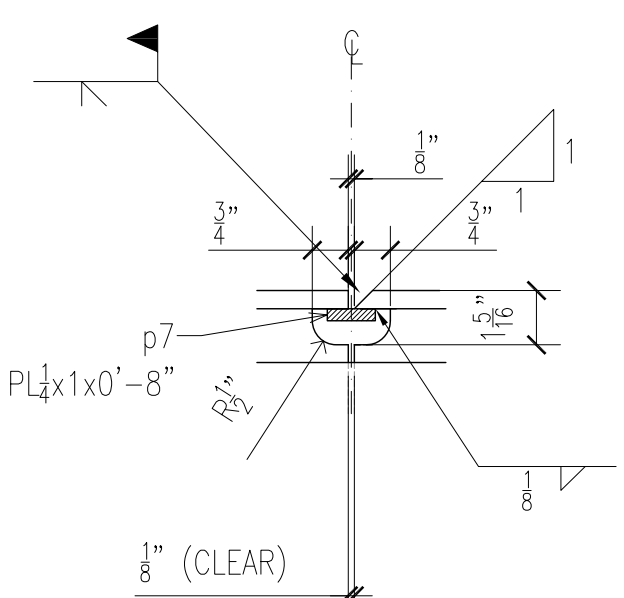


ONE BEAM 2B3 REQ'D

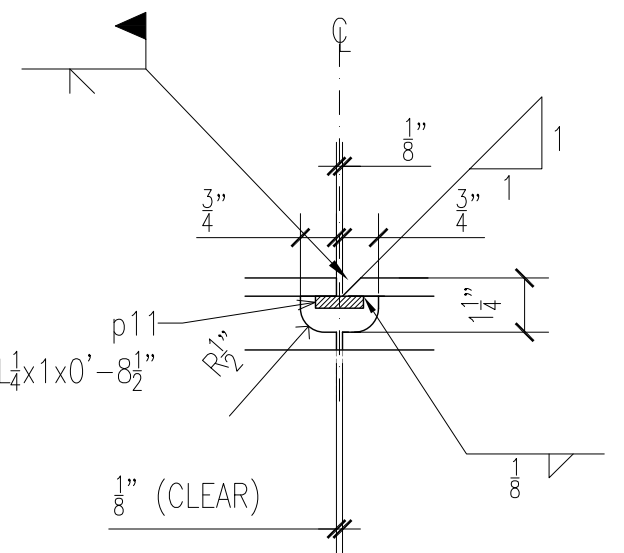
FIELD BOLTS LIST	
28	3/8" A325 BOLTS 3"
6	3/8" A325 BOLTS 2 1/2"
12	3/8" A325 BOLTS 2"



SECTION E



SECTION D



SECTION F

BILL OF MATERIAL							
Qty. Req'd	Ship Mark	Piece Mark	Description	Length		Total Weight	Remarks
				Ft.	In.		
1	2B1		BEAM				
1		2B1a	W18x71	9	4 1/2		
1		2B1b	W18x71	9	9 1/2		
1		2B1c	W18x71	9	4 1/2		
2		a7	L4x4x3/8x1'-3"	1	3		
2		a8	L4x4x3/8x1'-3"	1	3		
2		p25	PL 1/2 x 9	1	3		
2		p26	PL 1/2 x 3	1	3		
4		p4	PL 1/2 x 6	1	0		
4		p5	PL 1/2 x 4	3	0		
2		p6	PL 1/2 x 10	3	0		
2		p7	PL 1/2 x 1	0	8		BACKING BAR
24			3/8" A325 BOLTS	0	3 1/2		SHOP BOLTS
8			3/8" A325 BOLTS	0	2 1/2		SHOP BOLTS
10			3/8" A325 BOLTS	0	2 1/2		SHOP BOLTS
4			3/8" A325 BOLTS	0	2 1/2		SHOP BOLTS
1	2B2		BEAM				
1		2B2a	W18x50	7	8 1/2		
1		2B2b	W18x50	7	7 1/2		
1		2B2c	W18x50	7	5 1/2		
1		2B2d	W18x50	7	10 1/2		
6		p15	PL 1/2 x 6	1	0		
6		p8	PL 1/2 x 4	3	0		
3		p9	PL 1/2 x 8	3	0		
3		p7	PL 1/2 x 1	0	8		BACKING BAR
36			3/8" A325 BOLTS	0	3		SHOP BOLTS
12			3/8" A325 BOLTS	0	2 1/2		SHOP BOLTS
1	2B3		BEAM				
1		2B3a	W12x40	7	0 1/2		
1		2B3b	W12x40	7	1 1/2		
1		2B3c	W12x40	7	0 1/2		
4		a3	L4x4x3/8x0'-9"	0	9		
4		p3	PL 1/2 x 6	0	9		
2		p10	PL 1 x 8 1/2	3	6		
2		p11	PL 1/2 x 1	0	8 1/2		BACKING BAR
28			3/8" A325 BOLTS	0	3		SHOP BOLTS
6			3/8" A325 BOLTS	0	2 1/2		SHOP BOLTS
6			3/8" A325 BOLTS	0	2 1/2		SHOP BOLTS

DWG. REF.: E20, E21 & E22

NOTES:
 MATERIAL: ALL STRUC. STEEL ASTM A-572 GR. 50,
 ALL PLATES, ANGLES, CHANNELS AND MISC. ASTM A-36
 HOLES: 1/16" (U.N.O.)
 BOLTS: 3/8" A325-SC (U.N.O.)
 WELD: E70XX (U.N.O.)
 PAINT: ONE COAT OF SHOP PRIMER. GRATING GALVANIZED

REVISIONS		
N°	DATE	REMARKS
1	06/21/13	AS PER COMMENTS

NORTHEASTERN STEEL INC.

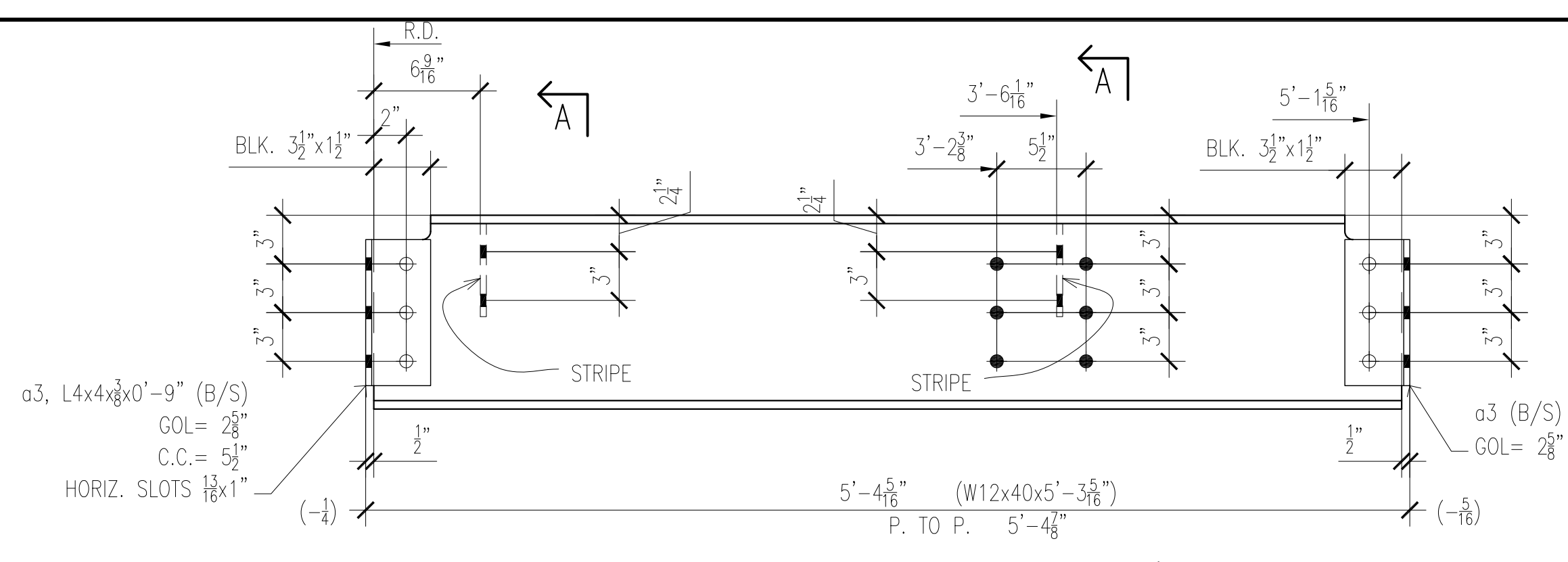
PROJECT:
DUNNAGE @ ROOF

REV DATE BY
 PRINTS TITLE:
 DUNNAGE BATTERY SYSTEM A
 SHOP DRAWINGS

ARCHITECT:
 STRUCT.

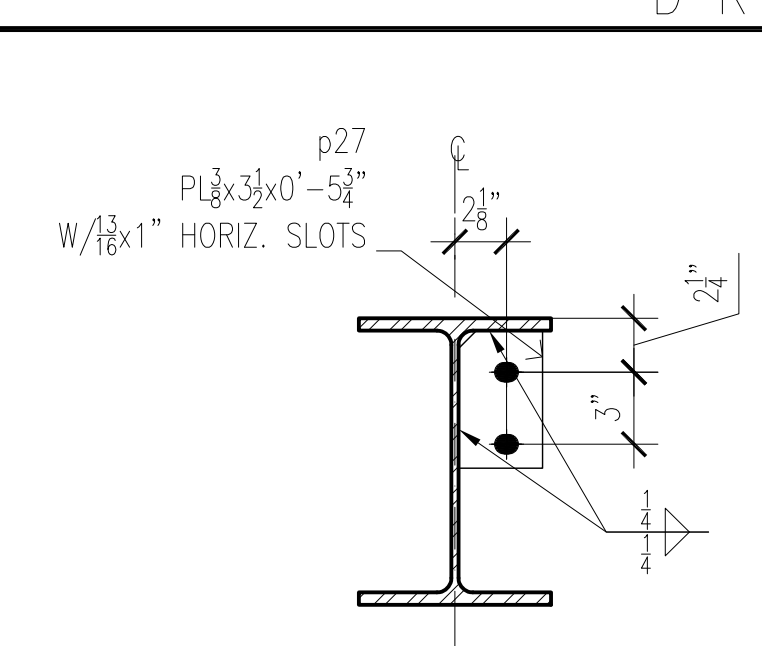
DWG BY A.T.	DATE: 05/24/2013	CONTRACT	DRAWING
CHK'D BY L.A.	DATE: 05/24/2013		D22

NOTES:
 R.D. DENOTES RUNNING DIMENSIONS

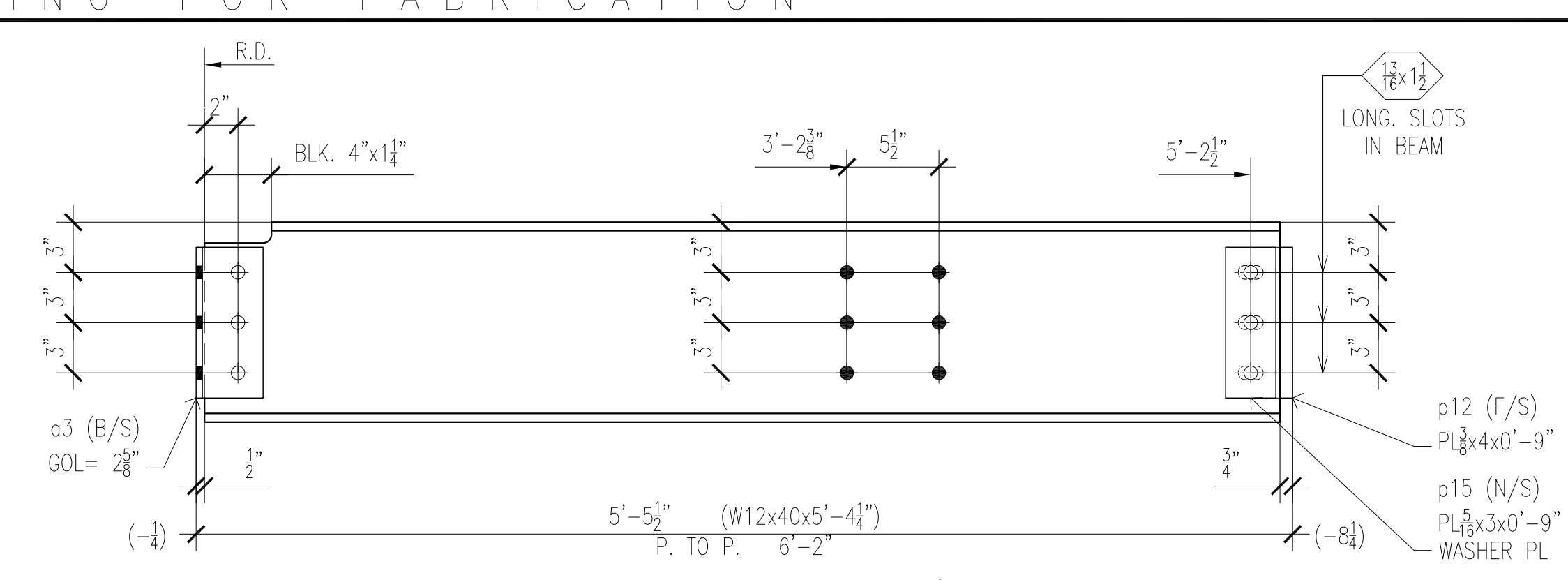


ONE BEAM 2B4 REQ'D

FIELD BOLTS LIST			
6	3/4" A325 BOLTS	2"	
6	3/4" A325 BOLTS	2 1/2"	

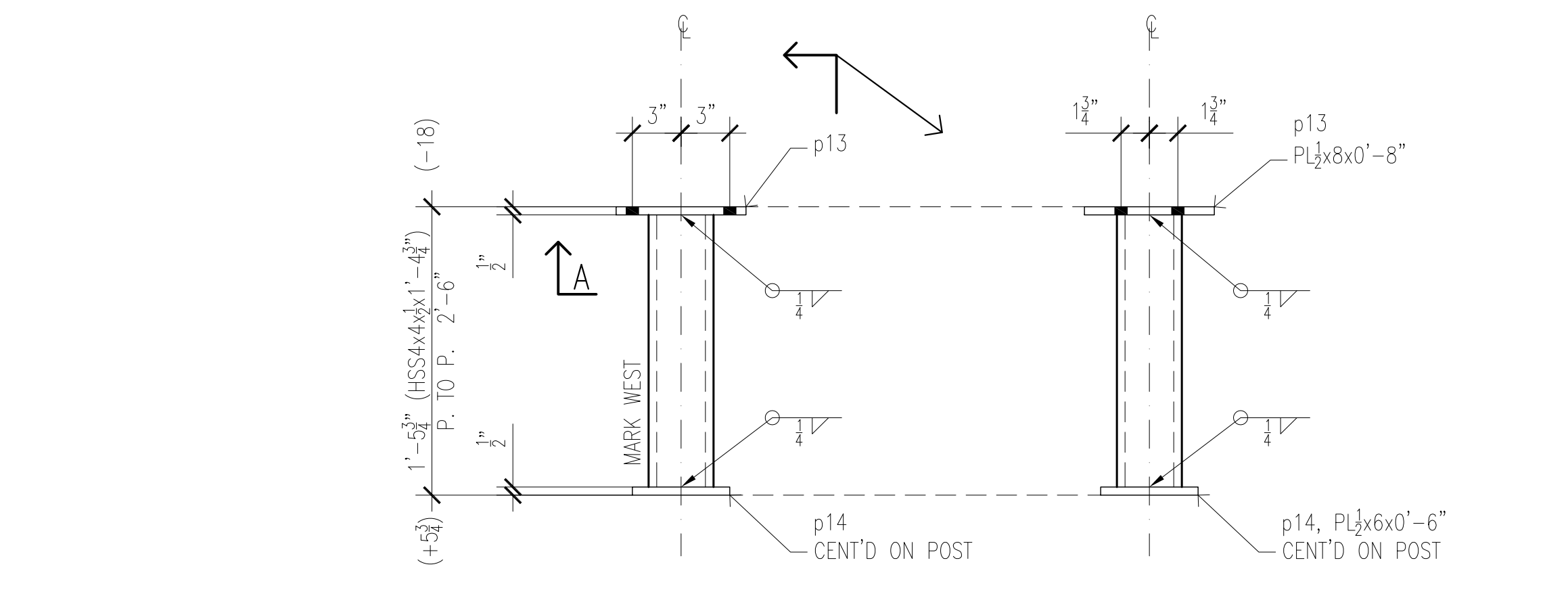


SECTION A

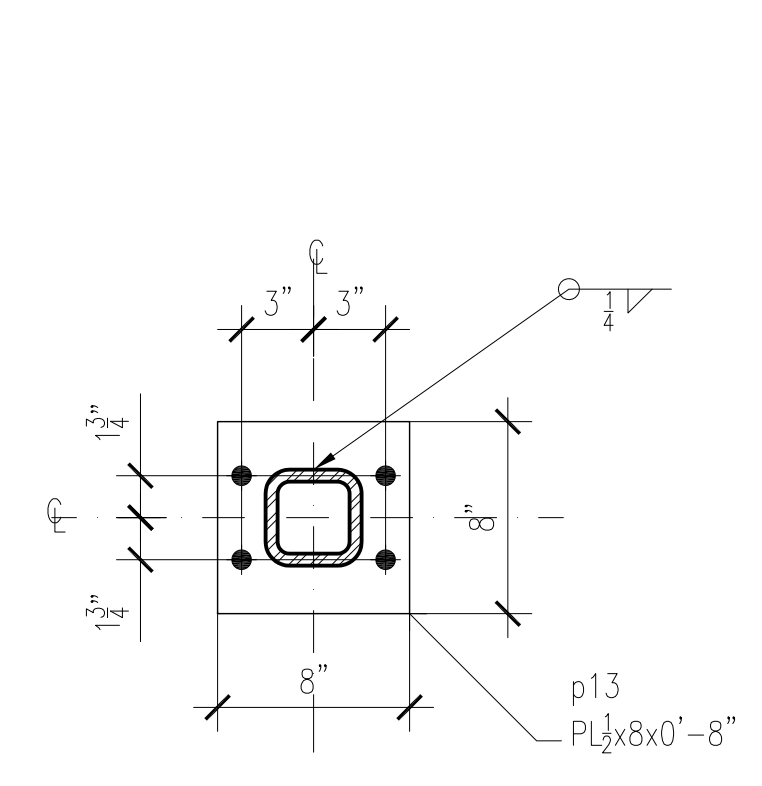


ONE BEAM 2B5 REQ'D

FIELD BOLTS LIST			
6	3/4" A325 BOLTS	2"	



2 POSTS 2P1 REQ'D



SECTION A

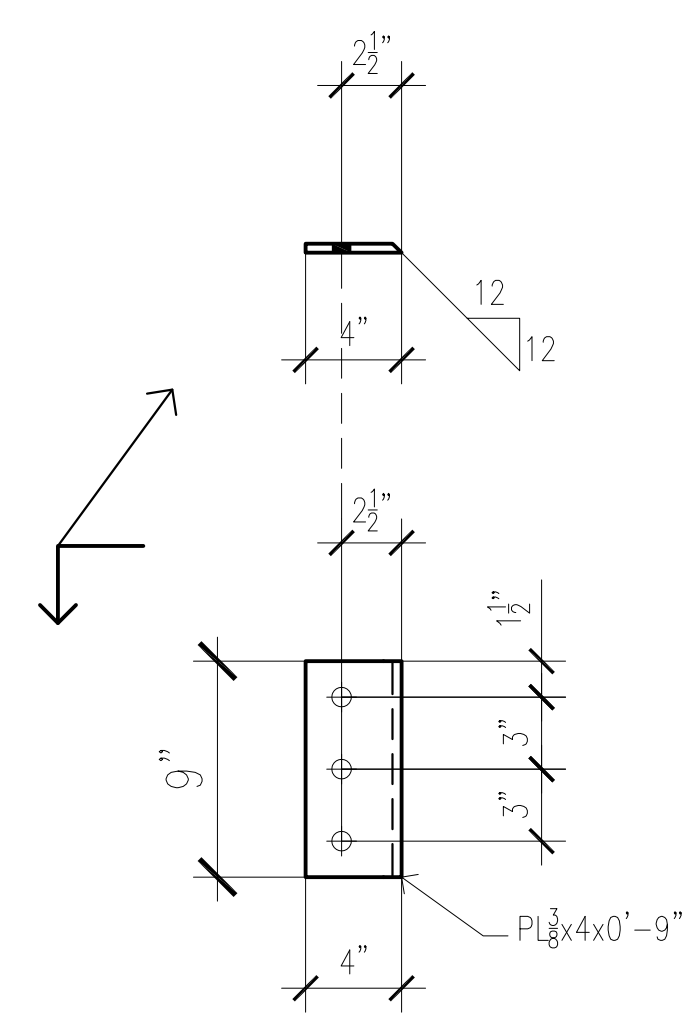


PLATE p12 DETAIL

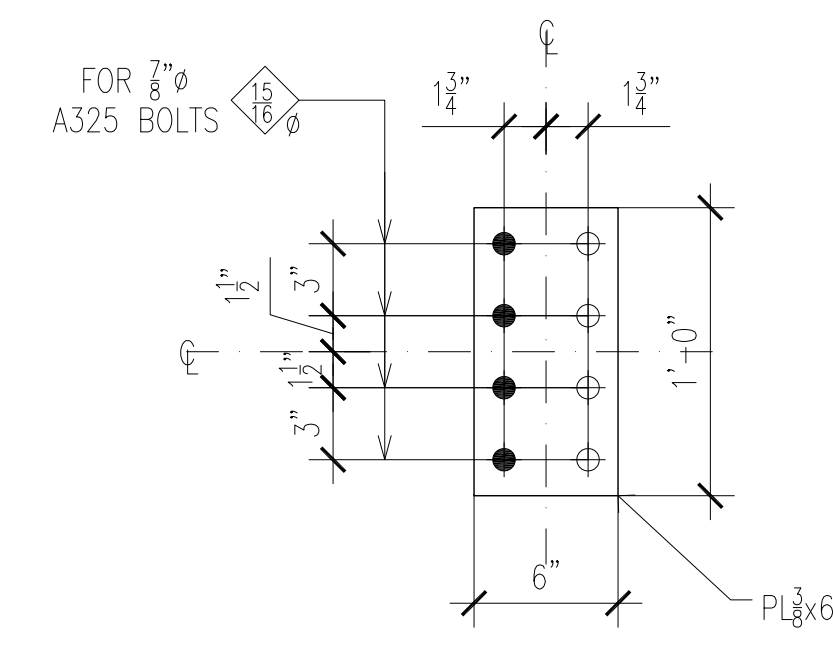


PLATE p4 DETAIL

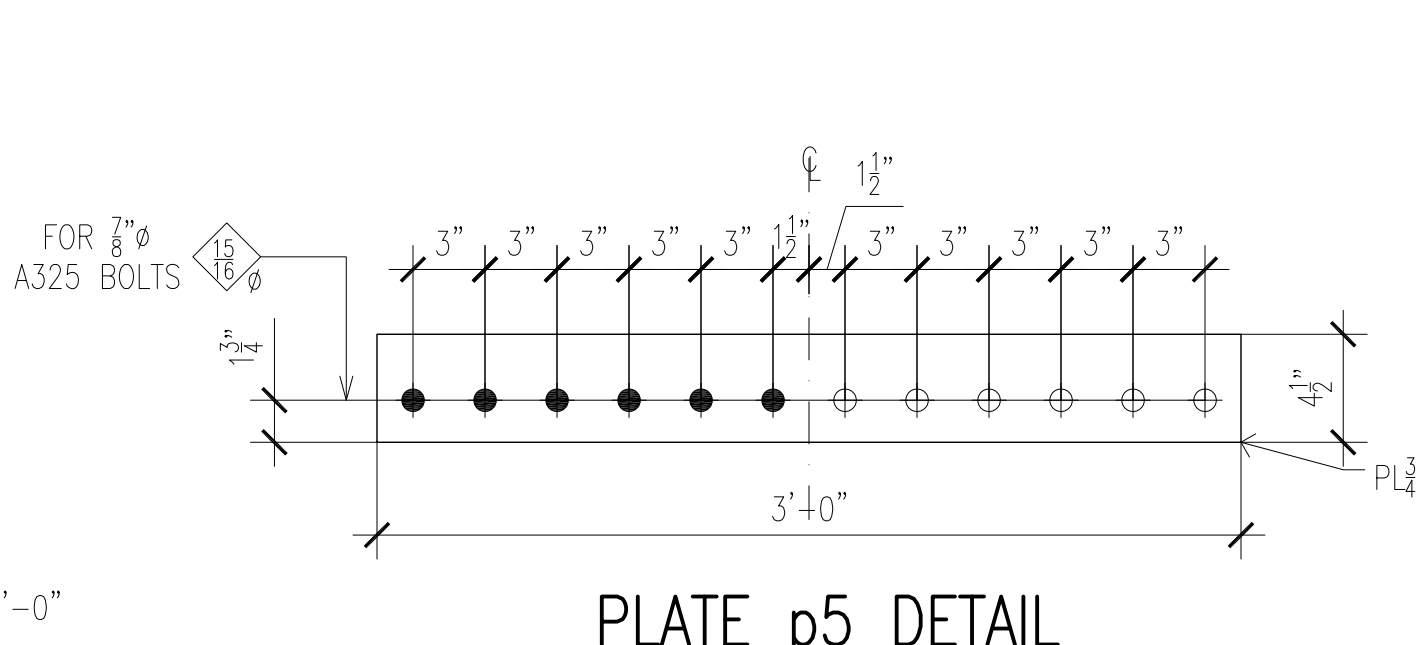


PLATE p5 DETAIL

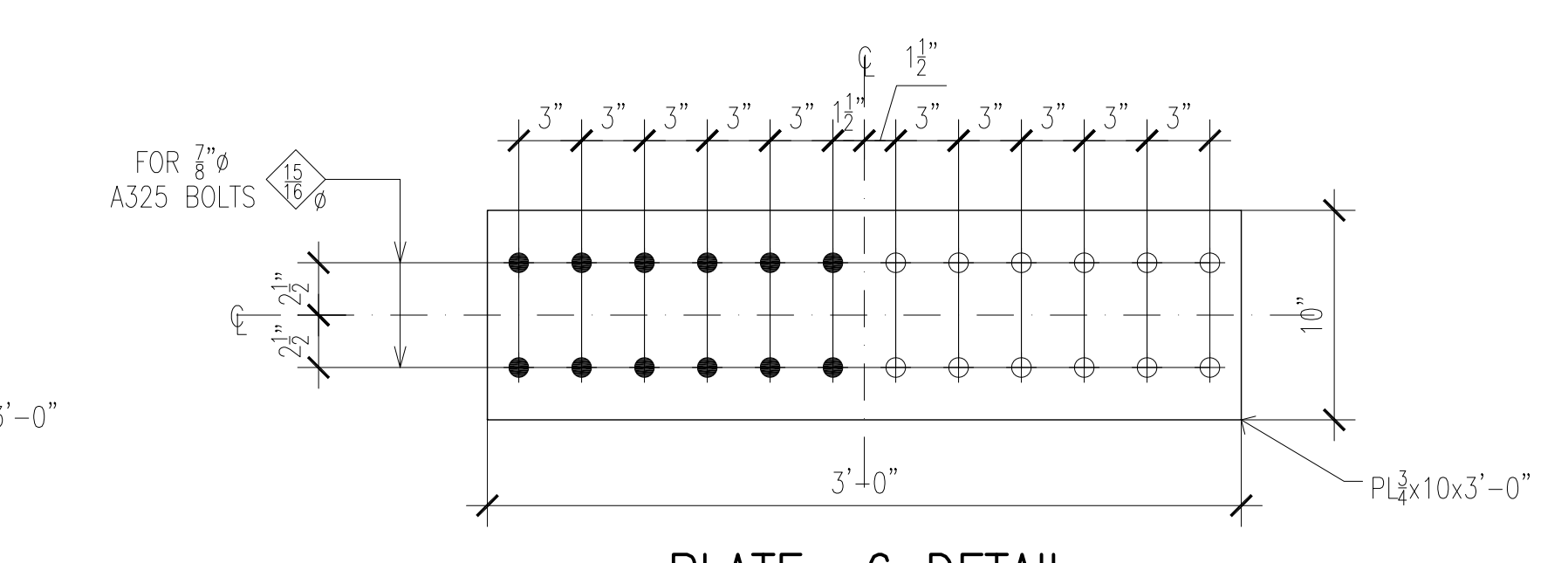


PLATE p6 DETAIL

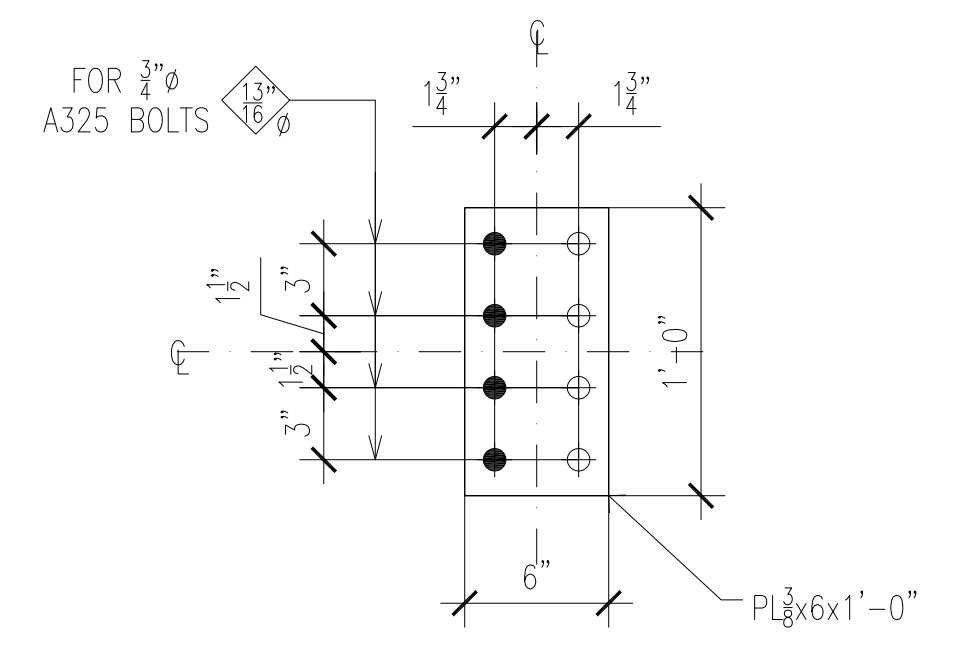


PLATE p15 DETAIL

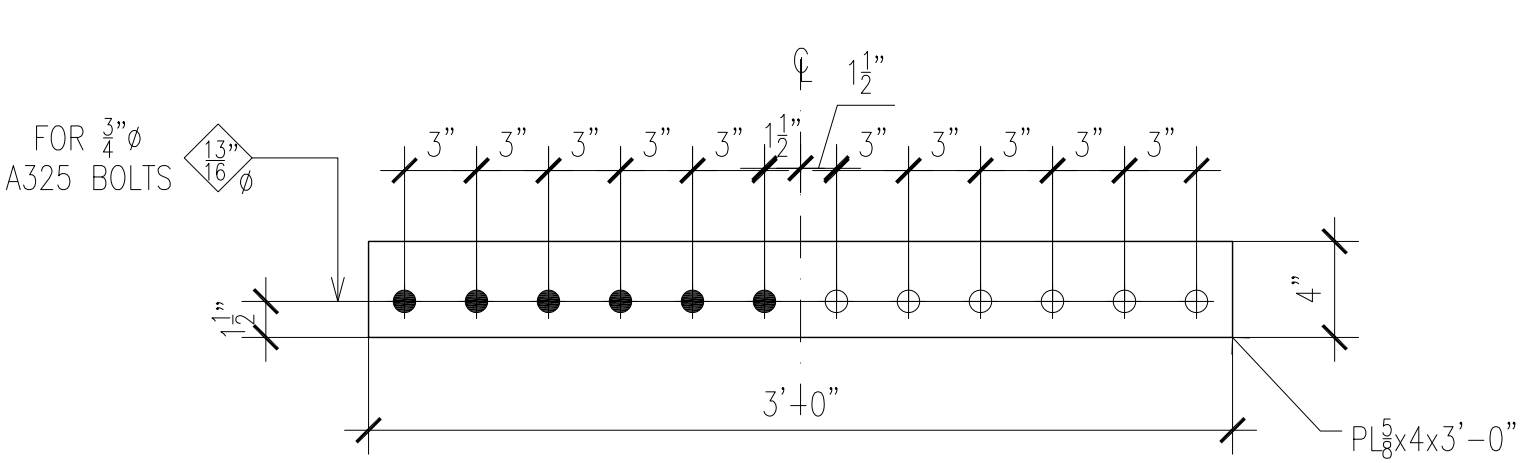


PLATE p8 DETAIL

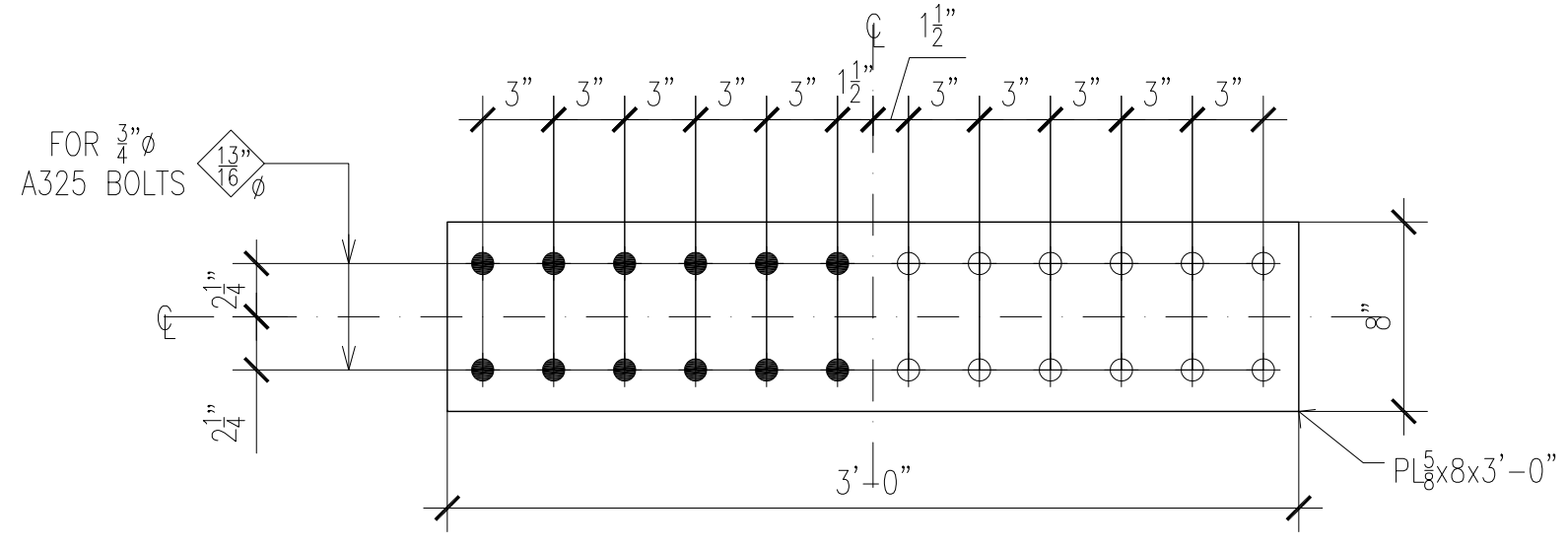


PLATE p9 DETAIL

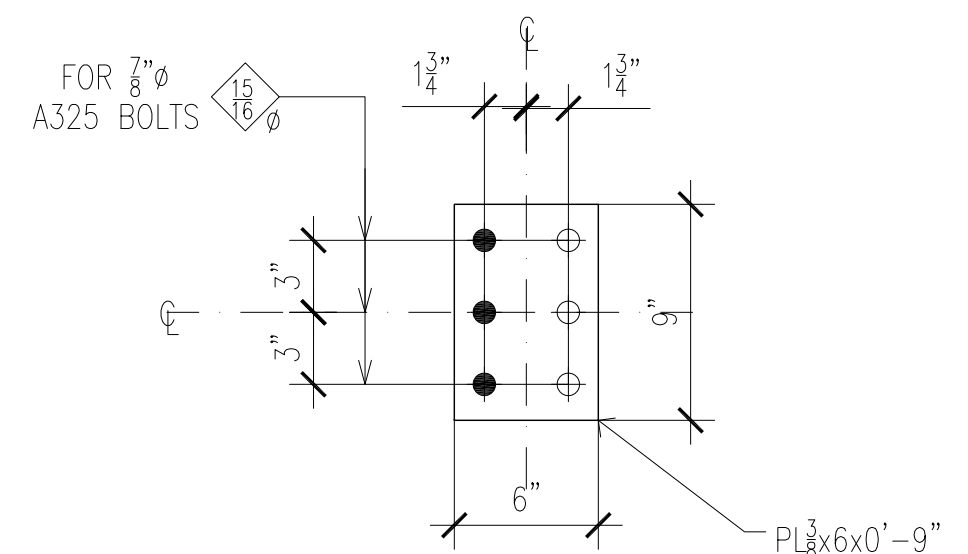


PLATE p3 DETAIL

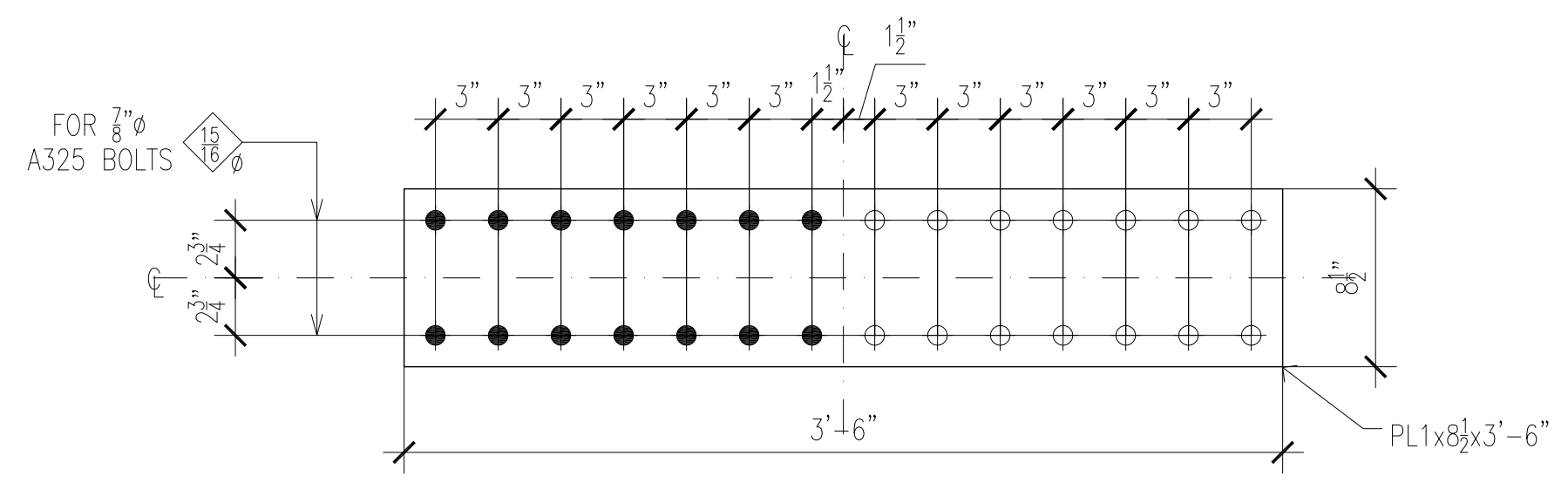


PLATE p10 DETAIL

BILL OF MATERIAL							
Qty. Req'd	Ship Mark	Piece Mark	Description	Length		Total Weight	Remarks
				Ft.	In.		
1	2B4		BEAM				
1		2B4	W12x40	5	3 5/8		
4		o3	L4x4x3/8	0	9		
6			3/4" A325 BOLTS	0	2 1/2		SHOP BOLTS
1	2B5		BEAM				
1		2B5	W12x40	5	4 1/2		
2		o3	L4x4x3/8	0	9		
1		p12	PL 1/2x4	0	9		
1		p15	PL 1/2x3	0	9		
3			3/4" A325 BOLTS	0	2 1/2		SHOP BOLTS
3			3/4" A325 BOLTS	0	2		SHOP BOLTS
2	2P1		POST				
2		2P1	HSS4x4x1/4	1	4 1/2		
2		p13	PL 1/2x8	0	8		
2		p14	PL 1/2x6	0	6		
8			3/4" A325 BOLTS	0	2		SHOP BOLTS

NOTES:
R.D. DENOTES RUNNING DIMENSIONS

DWG. REF.: E20, E21 & E22
 NOTES:
 MATERIAL: ALL STRUC. STEEL ASTM A-572 GR. 50,
 ALL PLATES, ANGLES, CHANNELS AND MISC. ASTM A-36
 HOLES: 1/8" (U.N.O.)
 BOLTS: 3/4" A325-SC (U.N.O.)
 WELD: E70XX (U.N.O.)
 PAINT: ONE COAT OF SHOP PRIMER. GRATING GALVANIZED

REVISIONS			REMARKS
N°	DATE	BY	
1	06/21/13	AS PER COMMENTS	

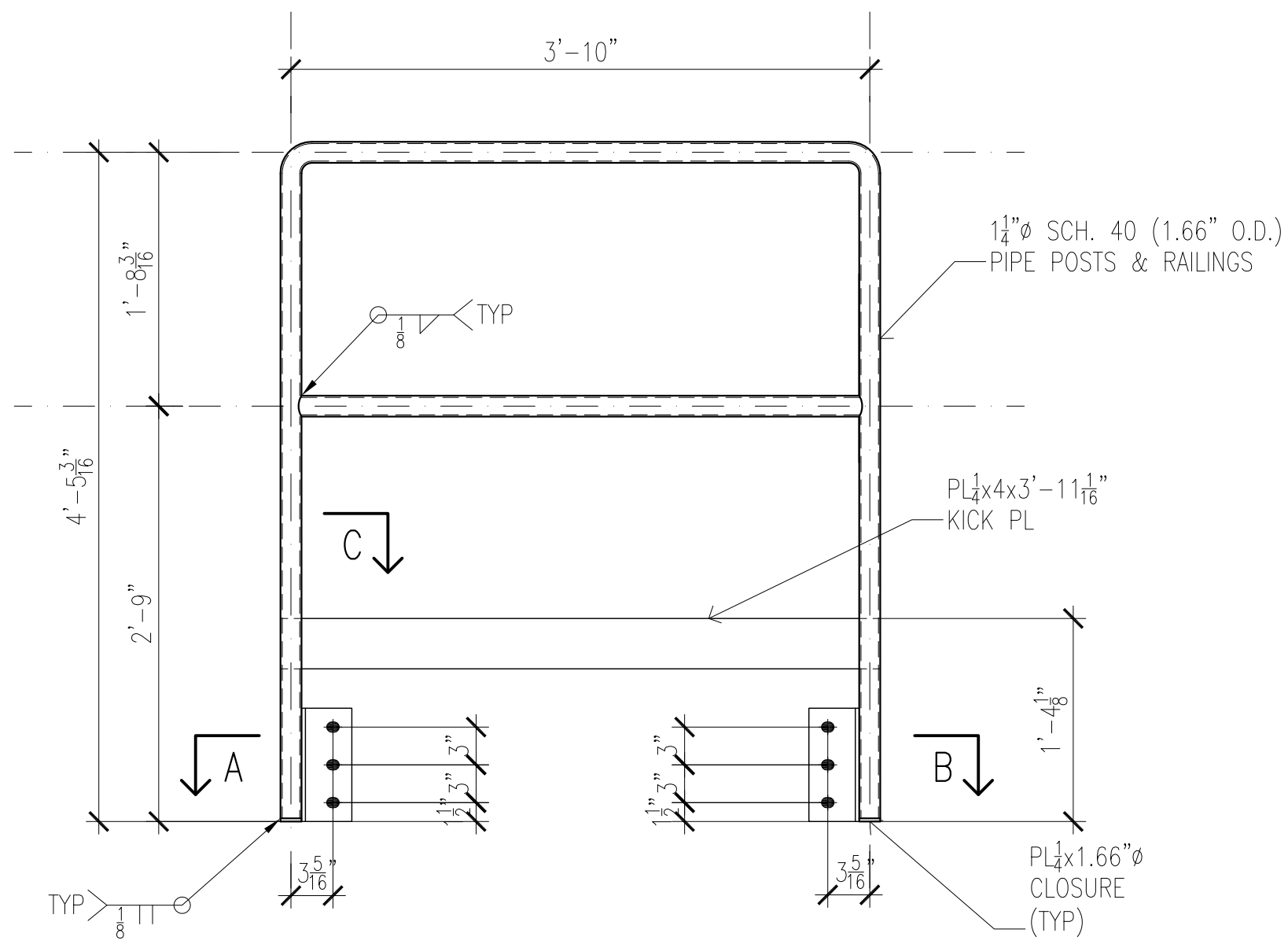
NORTHEASTERN STEEL INC.

PROJECT:
DUNNAGE @ ROOF

TITLE:
DUNNAGE BATTERY SYSTEM A SHOP DRAWINGS

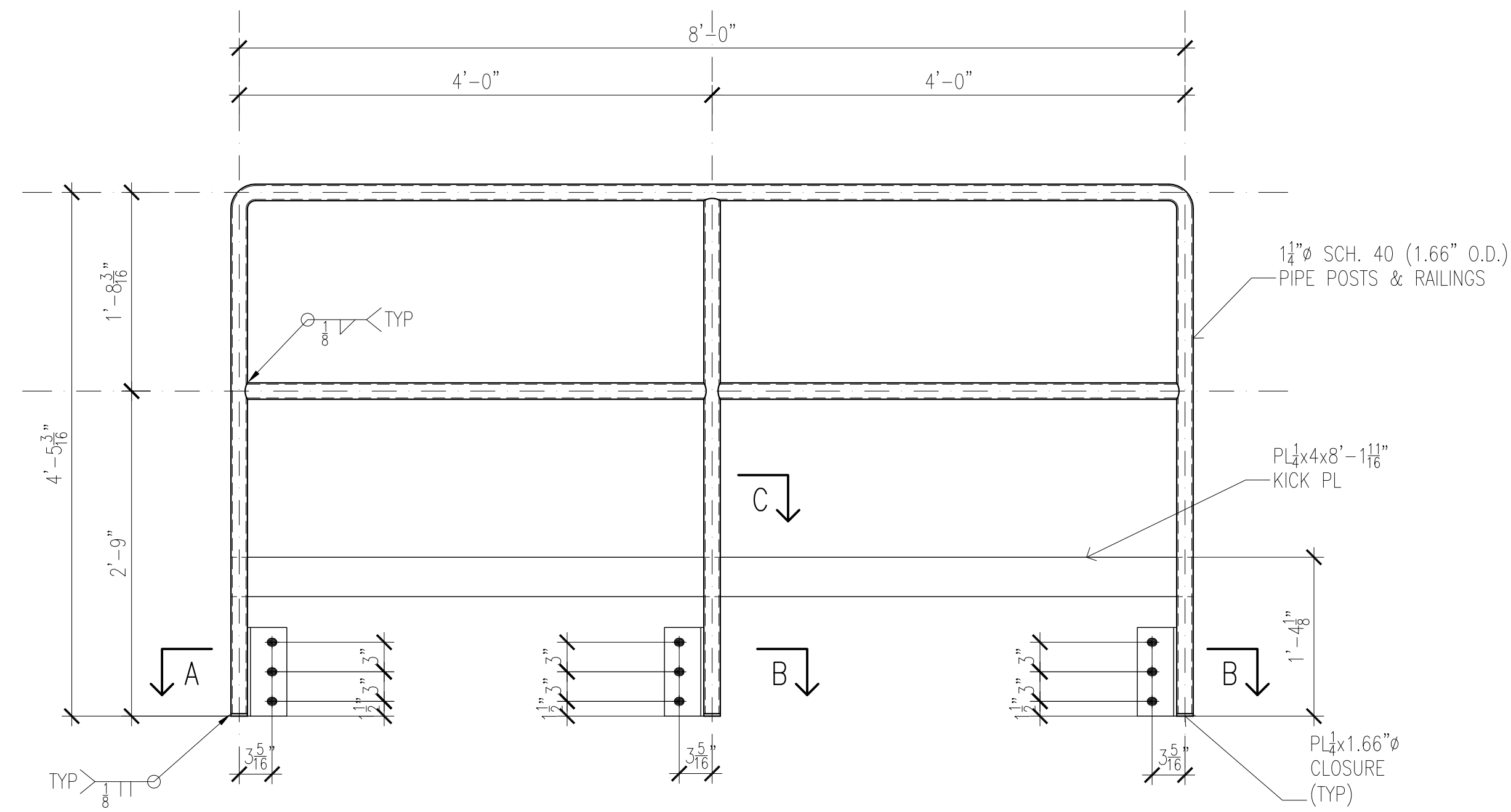
ARCHITECT:
STRUCT.

DWG BY A.T.	DATE: 05/24/2013	CONTRACT	DRAWING
CHK'D BY L.A.	DATE: 05/24/2013		D23



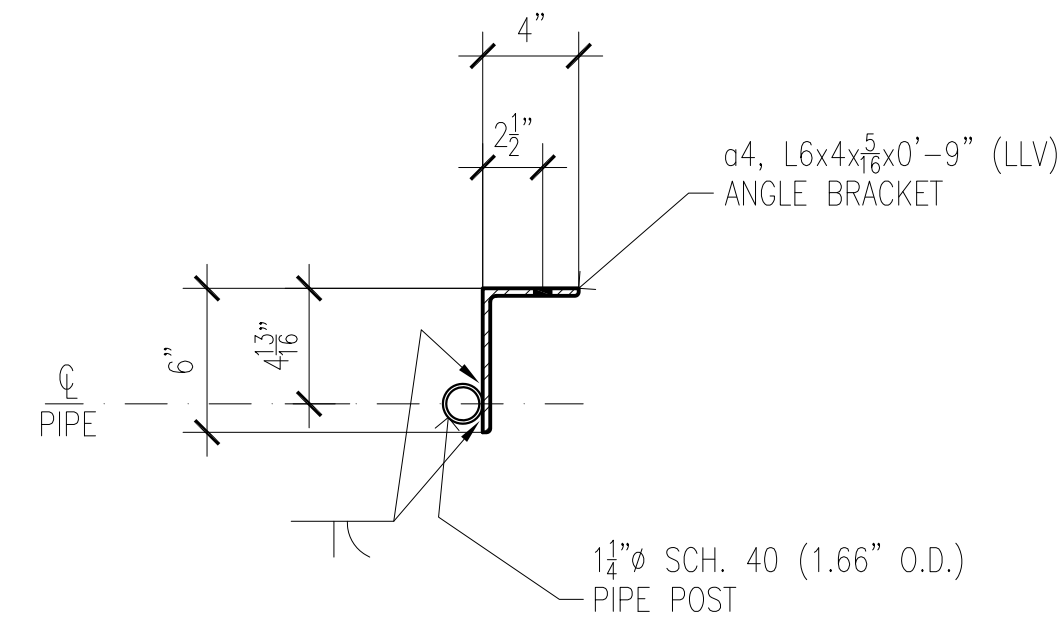
ONE RAILING GR-1 REQ'D

FIELD BOLTS LIST		
6	3/8" Ø PLAIN A325 BOLTS	2"

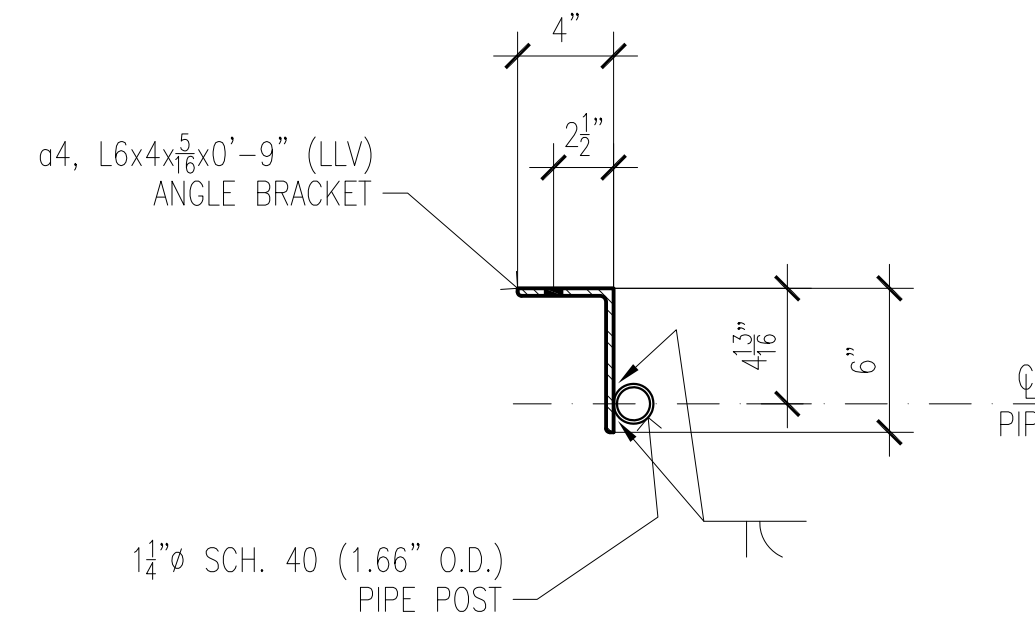


2 RAILINGS GR-2 REQ'D

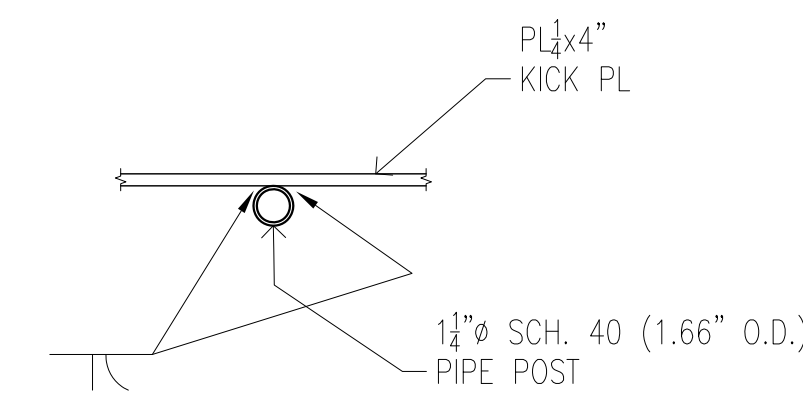
FIELD BOLTS LIST		
18	3/8" Ø PLAIN A325 BOLTS	2"



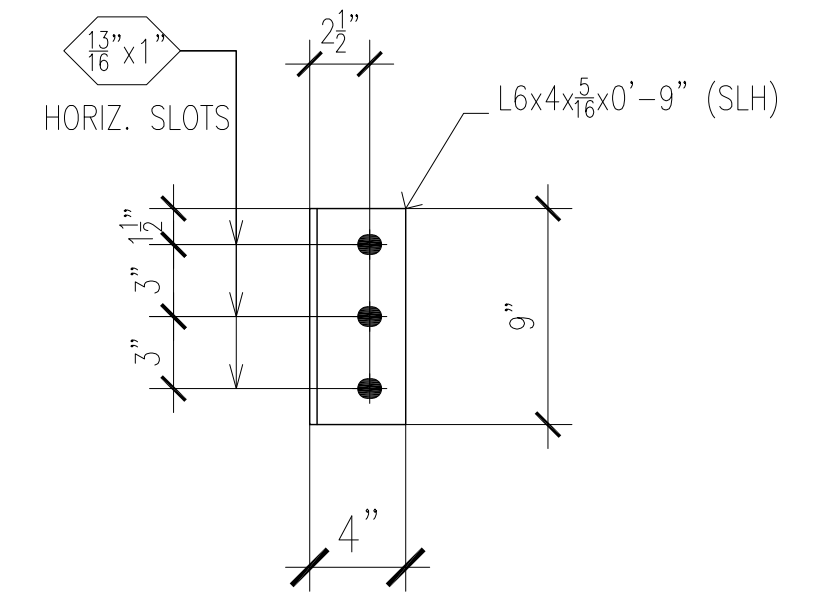
SECTION A



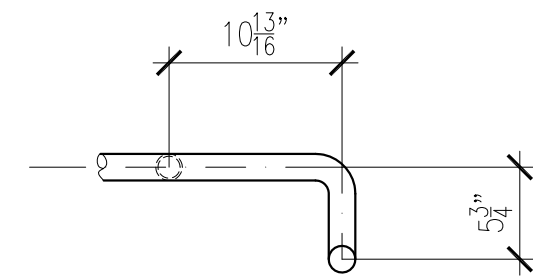
SECTION B



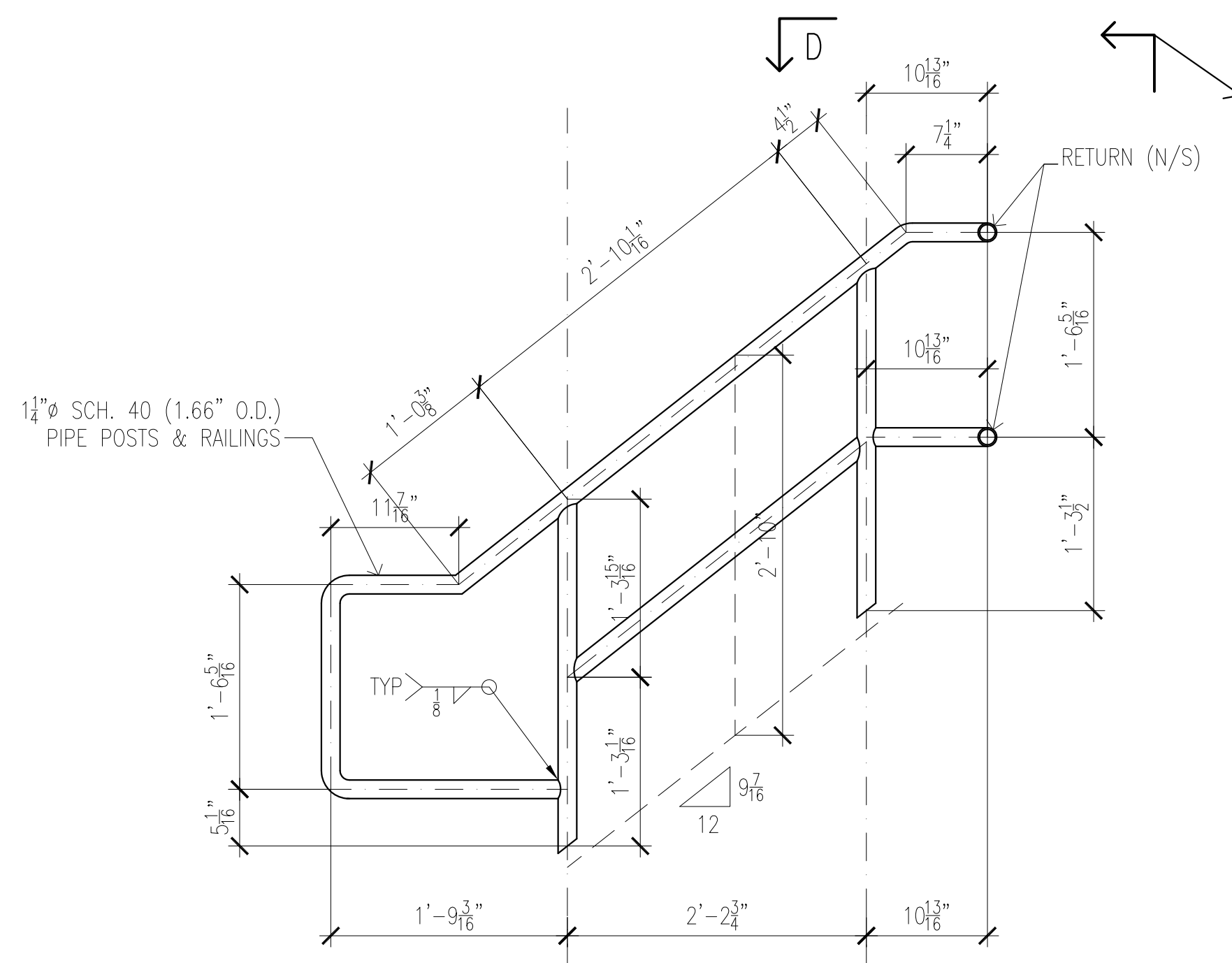
SECTION C



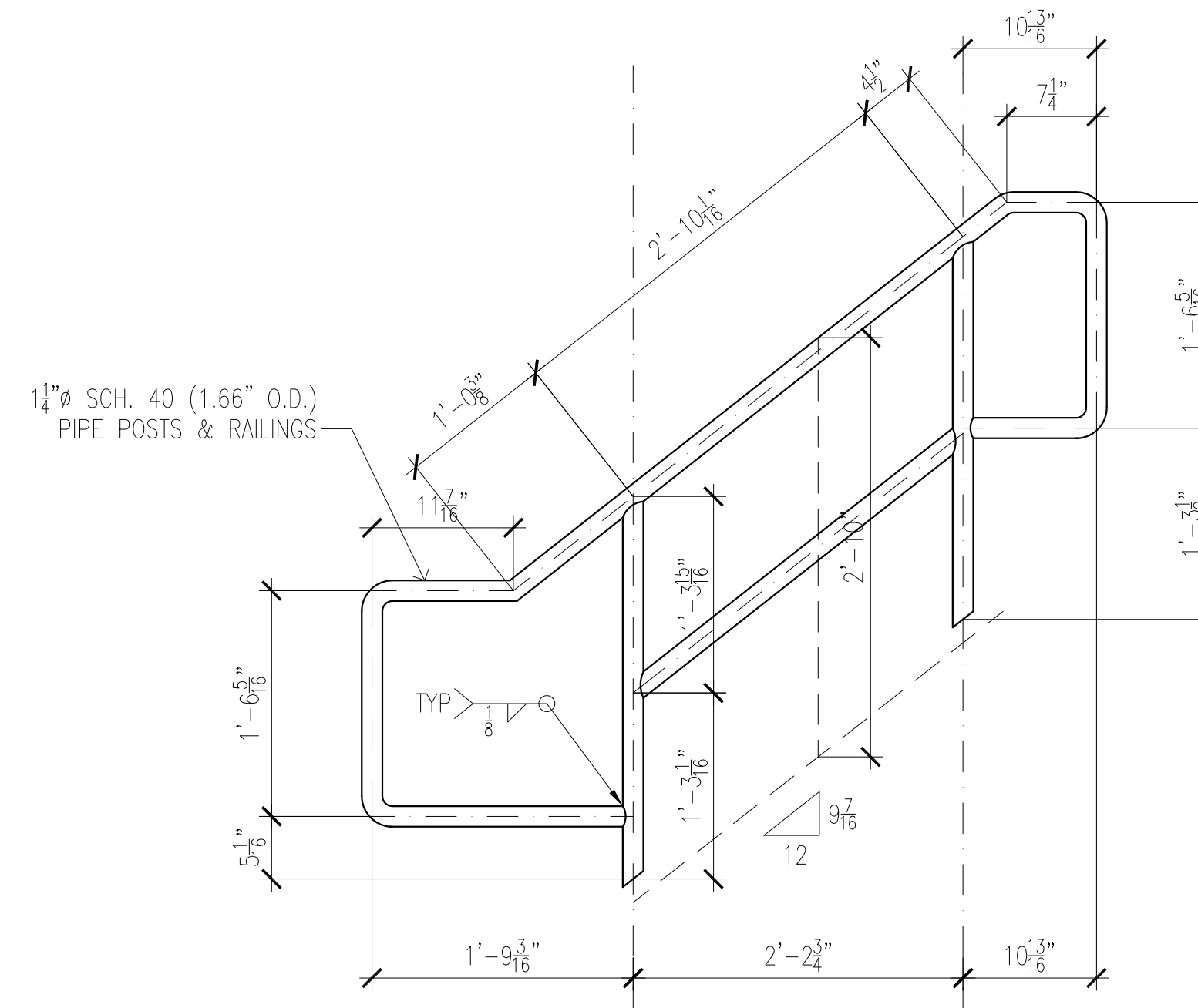
ANGLE BRACKET a4 DETAIL



SECTION D



ONE RAILING GR-3 REQ'D



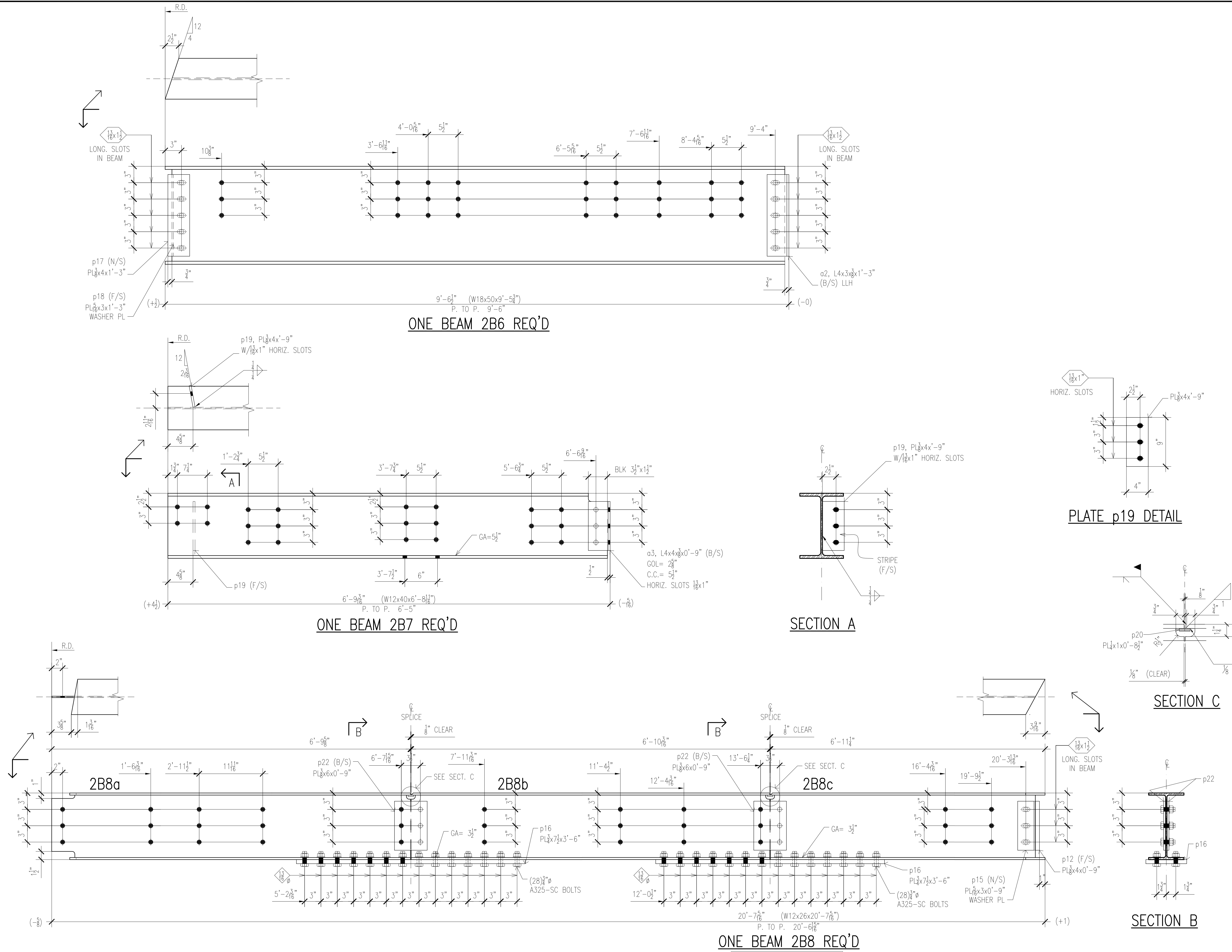
ONE RAILING GR-4 REQ'D

DWG. REF.: E20, E21 & E22

NOTES:
 MATERIAL: ALL STRUC. STEEL ASTM A-572 GR. 50,
 ALL PLATES, ANGLES, CHANNELS AND MISC. ASTM A-36
 HOLES: 1 3/8" Ø (U.N.O.)
 BOLTS: 3/8" Ø A325-SC (U.N.O.)
 WELD: E70XX (U.N.O.)
 PAINT: ONE COAT OF SHOP PRIMER. GRATING GALVANIZED

REVISIONS			PROJECT:	DRAWING
N°	DATE	REMARKS		
1	06/21/13	AS PER COMMENTS	NORTHEASTERN STEEL INC.	D24
			PROJECT:	
			DUNNAGE © ROOF	
			TITLE:	
			DUNNAGE BATTERY SYSTEM A RAILINGS DRAWINGS	
			ARCHITECT:	
			STRUCT.	
			DWG BY	
			A.T.	
			DATE:	
			05/24/2013	
			CONTRACT	
			CHK'D BY	
			L.A.	
			DATE:	
			05/24/2013	

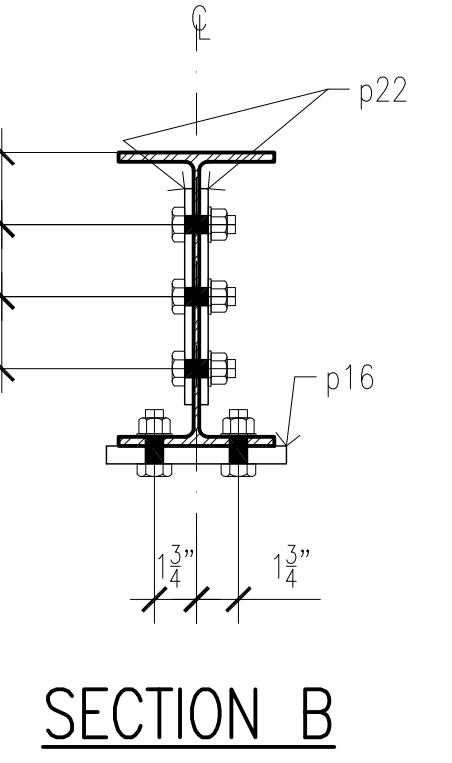
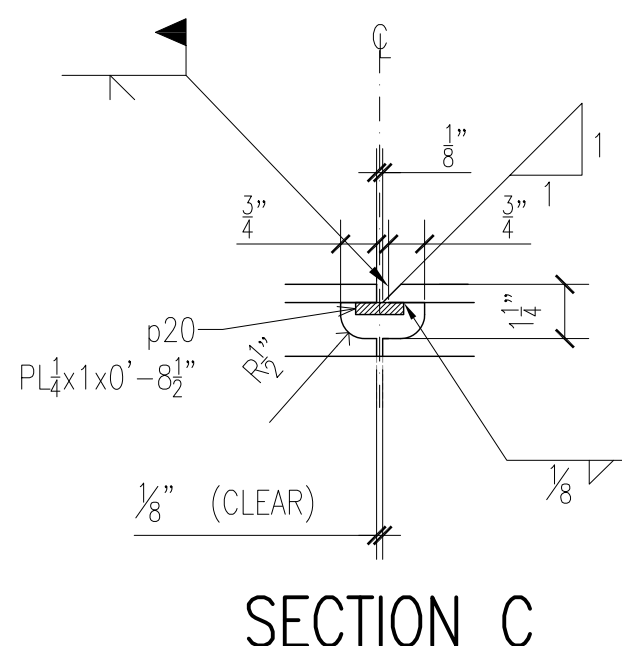
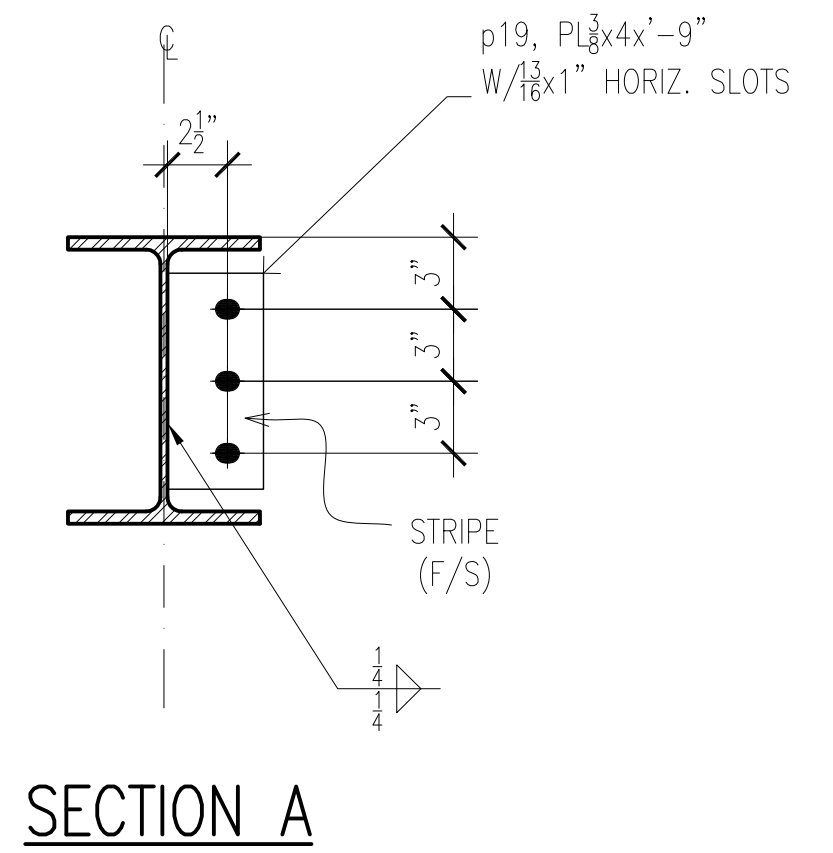
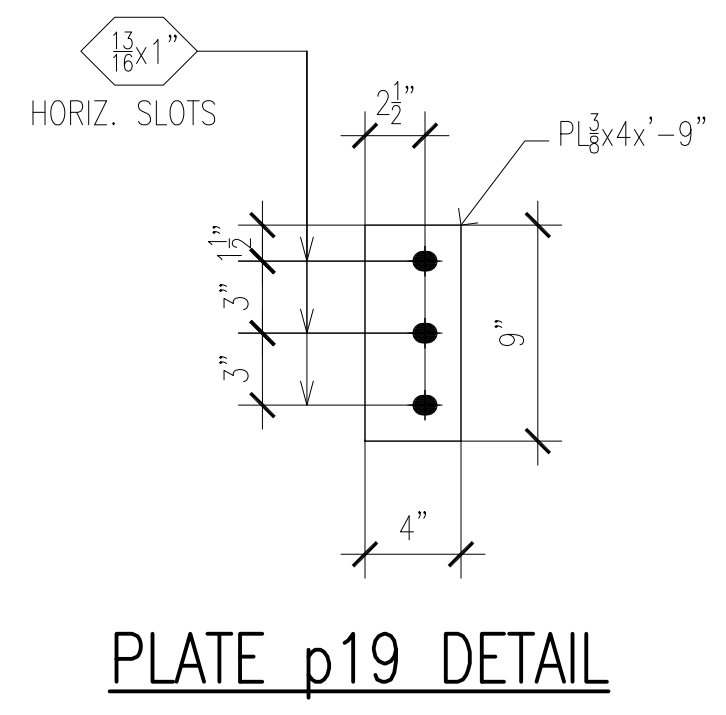
NOTES:
 R.D. DENOTES RUNNING DIMENSIONS



ONE BEAM 2B6 REQ'D

ONE BEAM 2B7 REQ'D

ONE BEAM 2B8 REQ'D



FIELD BOLTS LIST

28	3/4" A325 BOLTS	2 1/2"
6	3/4" A325 BOLTS	2 1/4"
3	3/4" A325 BOLTS	2"

BILL OF MATERIAL

Qty. Req'd	Ship Mark	Piece Mark	Description	Length		Total Weight	Remarks
				Ft.	In.		
1	2B6		BEAM				
1		2B6	W18x50	9	5 1/2		
2		a2	L4x3x3/8	1	3		
1		p17	PL 3/8x4	1	3		
1		p18	PL 3/8x3	1	3		WASHER PL
5			3/4" A325 BOLTS	0	2 1/2		SHOP BOLTS
5			3/4" A325 BOLTS	0	2 1/2		SHOP BOLTS
1	2B7		BEAM				
1		2B7	W12x40	6	8 1/16		
2		a3	L4x4x3/8	0	9		
1		p19	PL 3/8x4	0	9		
3			3/4" A325 BOLTS	0	2 1/4		SHOP BOLTS
1	2B8		BEAM				
1		2B8a	W12x26	6	9 5/8		
1		2B8b	W12x26	6	10 5/8		
1		2B8c	W12x26	6	11 1/4		
4		p22	PL 3/8x6	0	9		
2		p16	PL 3/8x7 1/2	3	6		
2		p20	PL 1/4x1	0	7 1/2		BACKING BAR
1		p12	PL 3/8x4	0	9		
1		p15	PL 3/8x3	0	9		WASHER PL
28			3/4" A325 BOLTS	0	2 1/2		SHOP BOLTS
9			3/4" A325 BOLTS	0	2 1/2		SHOP BOLTS

DWG. REF.: E23, E24 & E25

NOTES:
 MATERIAL: ALL STRUC. STEEL ASTM A-572 GR. 50,
 ALL PLATES, ANGLES, CHANNELS AND MISC. ASTM A-36
 HOLES: 1/16" (U.N.O.)
 BOLTS: 3/4" A325-SC (U.N.O.)
 WELD: E70XX (U.N.O.)
 PAINT: ONE COAT OF SHOP PRIMER. GRATING GALVANIZED

REVISIONS			DATE	REMARKS
N°	DATE	REMARKS		

NORTHEASTERN STEEL INC.

PROJECT:
DUNNAGE @ ROOF

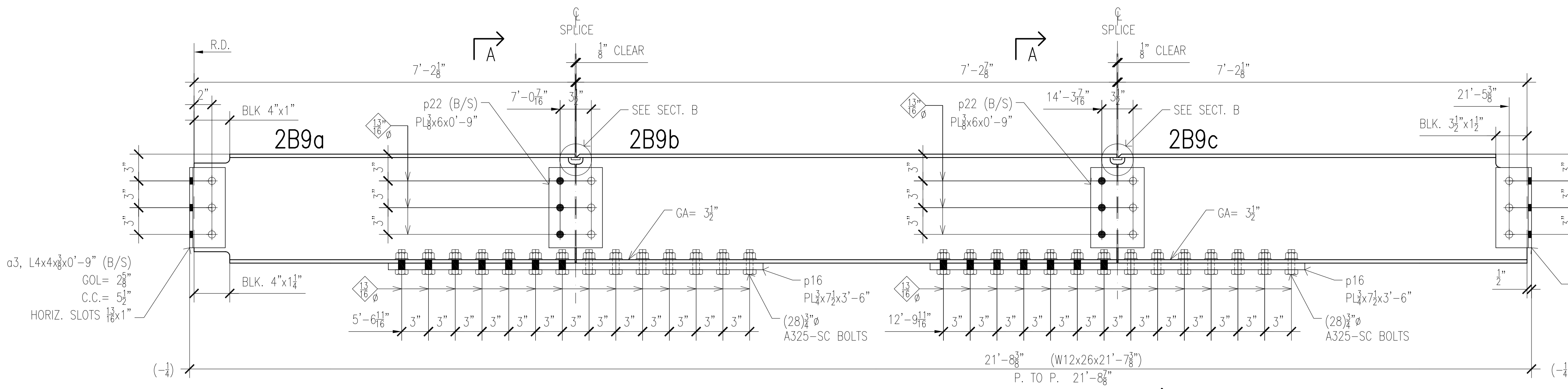
REV DATE BY
 PRINTS TITLE:
 DUNNAGE BATTERY SYSTEM A
 SHOP DRAWINGS

ARCHITECT:
 STRUCT.

DWG BY	DATE:	CONTRACT	DRAWING
A.T.	05/24/2013		
CHK'D BY	DATE:		
L.A.	05/24/2013		

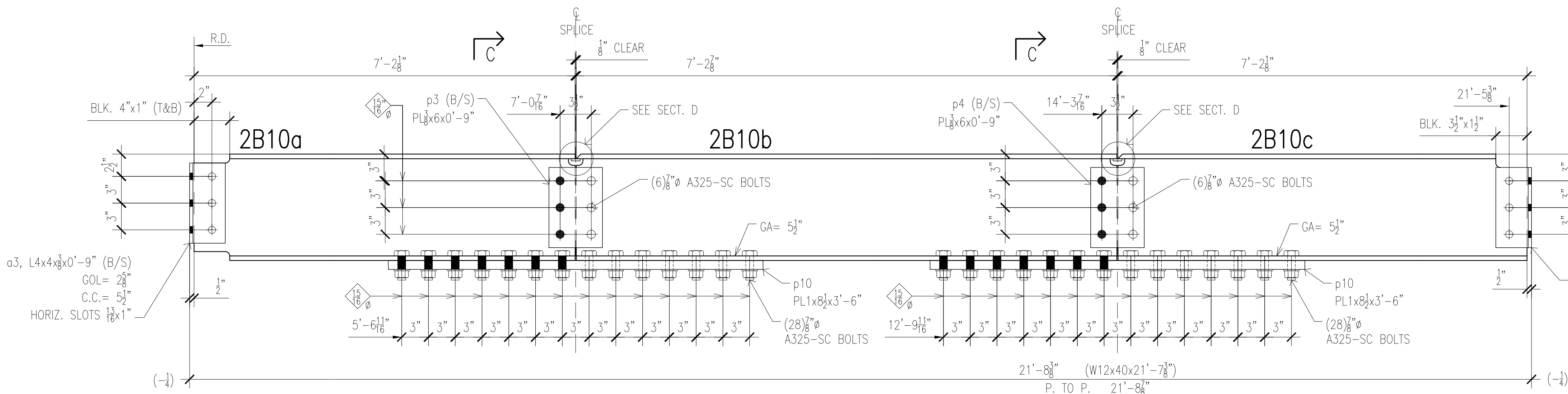
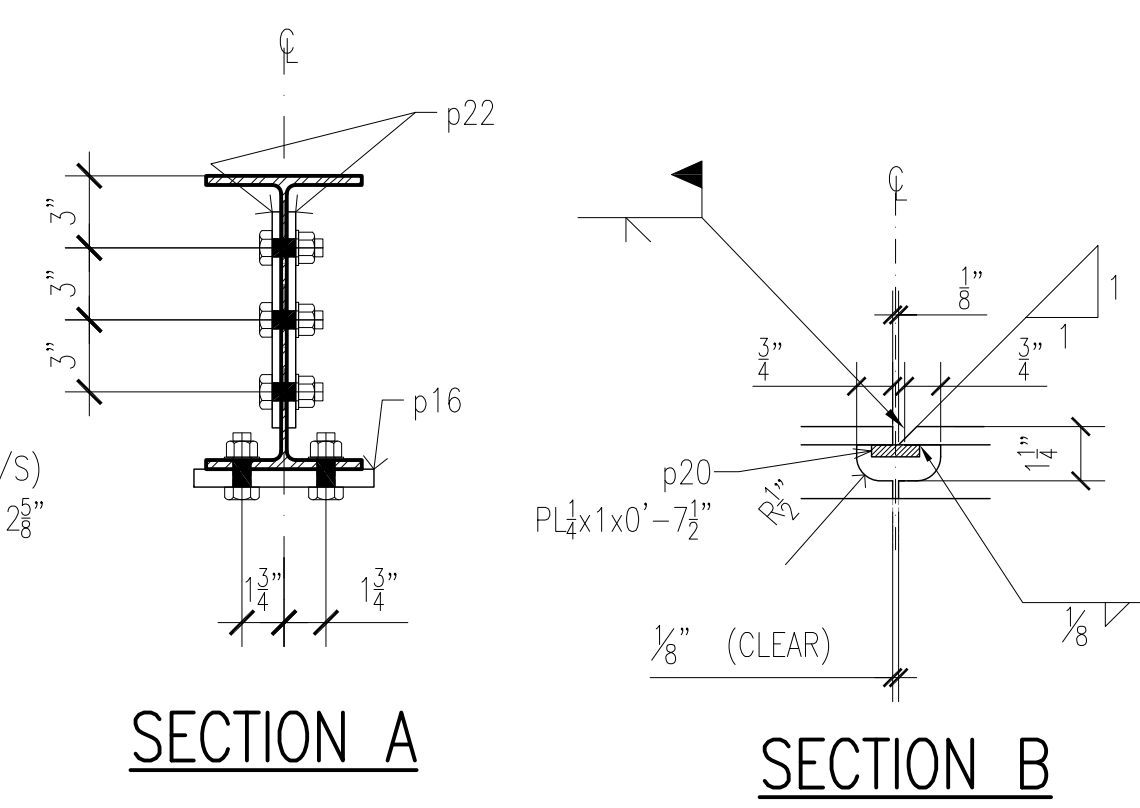
D25

NOTES:
 R.D. DENOTES RUNNING DIMENSIONS



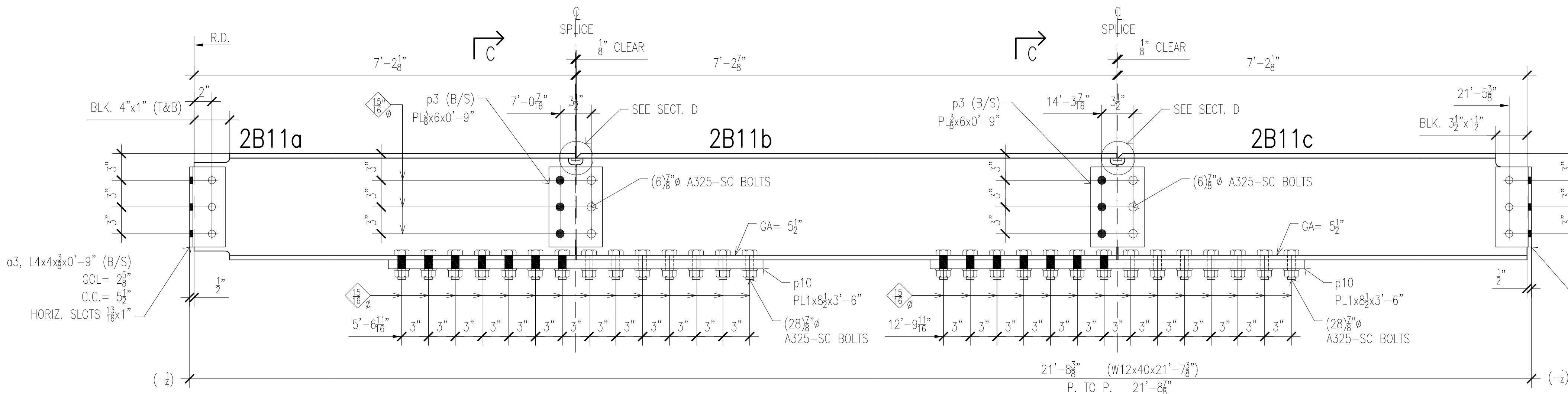
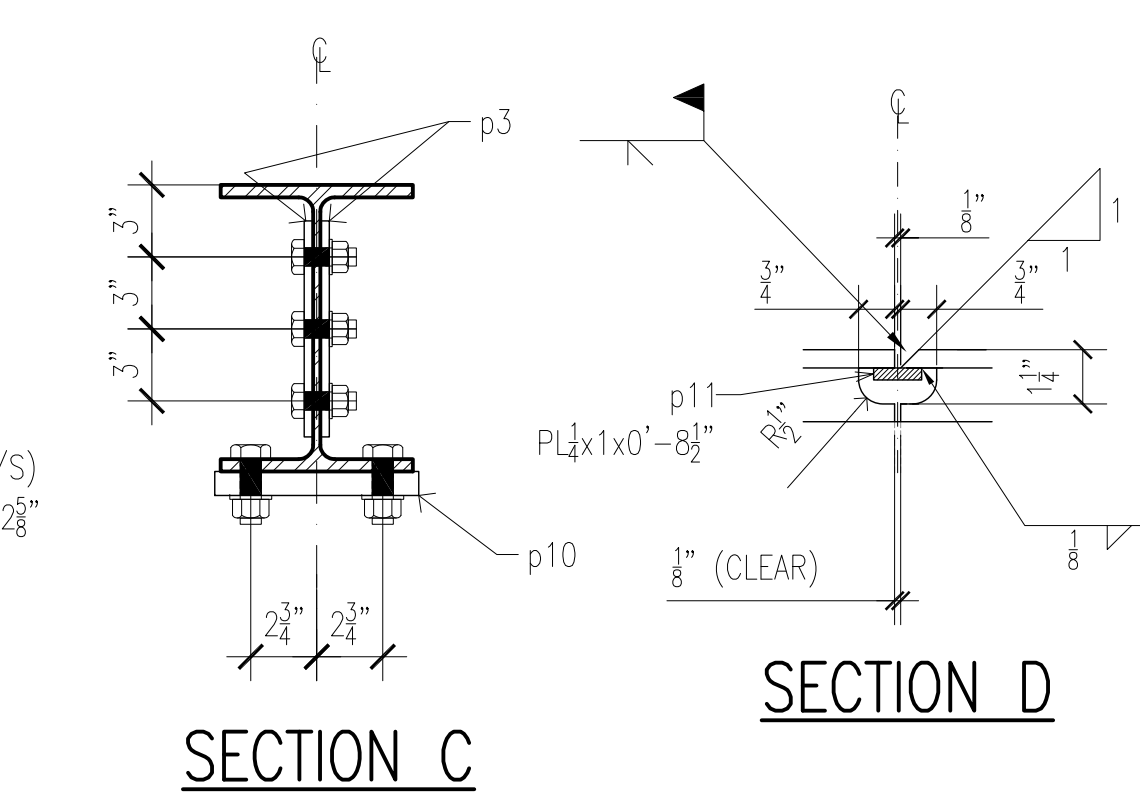
ONE BEAM 2B9 REQ'D

FIELD BOLTS LIST		
28	7/8" A325 BOLTS	2 1/2"
6	3/4" A325 BOLTS	2 1/4"
6	3/4" A325 BOLTS	2"



ONE BEAM 2B10 REQ'D

FIELD BOLTS LIST		
28	7/8" A325 BOLTS	2 1/2"
6	5/8" A325 BOLTS	2 1/4"
6	3/4" A325 BOLTS	2 1/2"
6	3/4" A325 BOLTS	2"



ONE BEAM 2B11 REQ'D

FIELD BOLTS LIST		
28	7/8" A325 BOLTS	2 1/2"
6	5/8" A325 BOLTS	2 1/4"
6	3/4" A325 BOLTS	2"

BILL OF MATERIAL							
Qty. Req'd	Ship Mark	Piece Mark	Description	Length		Total Weight	Remarks
				Ft.	In.		
1	2B9		BEAM				
1		2B9a	W12x26	7	2 1/2		
1		2B9b	W12x26	7	2 1/2		
1		2B9c	W12x26	7	2 1/2		
4		p22	PL 3/8x6	0	9		
2		p16	PL 1/2x7	3	6		
2		p20	PL 1/2x1	0	7 1/2		BACKING BAR
4		a3	L4x4x3/8	0	6		
28			7/8" A325 BOLTS	0	2 1/2		SHOP BOLTS
12			3/4" A325 BOLTS	0	2 1/4		SHOP BOLTS
1	2B10		BEAM				
1		2B10a	W12x40	7	2 1/2		
1		2B10b	W12x40	7	2 1/2		
1		2B10c	W12x40	7	2 1/2		
4		p3	PL 3/8x6	0	9		
2		p10	PL 1x8 1/2	3	6		
2		p11	PL 1/2x1	0	8 1/2		BACKING BAR
4		a3	L4x4x3/8	0	6		
28			7/8" A325 BOLTS	0	2 1/2		SHOP BOLTS
12			3/4" A325 BOLTS	0	2 1/4		SHOP BOLTS
1	2B11		BEAM				
1		2B11a	W12x40	7	2 1/2		
1		2B11b	W12x40	7	2 1/2		
1		2B11c	W12x40	7	2 1/2		
4		p3	PL 3/8x6	0	9		
2		p10	PL 1x8 1/2	3	6		
2		p11	PL 1/2x1	0	8 1/2		BACKING BAR
4		a3	L4x4x3/8	0	6		
28			7/8" A325 BOLTS	0	2 1/2		SHOP BOLTS
12			3/4" A325 BOLTS	0	2 1/4		SHOP BOLTS

DWG. REF.: E23, E24 & E25

NOTES:
 MATERIAL: ALL STRUC. STEEL ASTM A-572 GR. 50,
 ALL PLATES, ANGLES, CHANNELS AND MISC. ASTM A-36
 HOLES: 1/16" (U.N.O.)
 BOLTS: 3/4" A325-SC (U.N.O.)
 WELD: E70XX (U.N.O.)
 PAINT: ONE COAT OF SHOP PRIMER. GRATING GALVANIZED

REVISIONS		
N°	DATE	REMARKS

NORTHEASTERN STEEL INC.

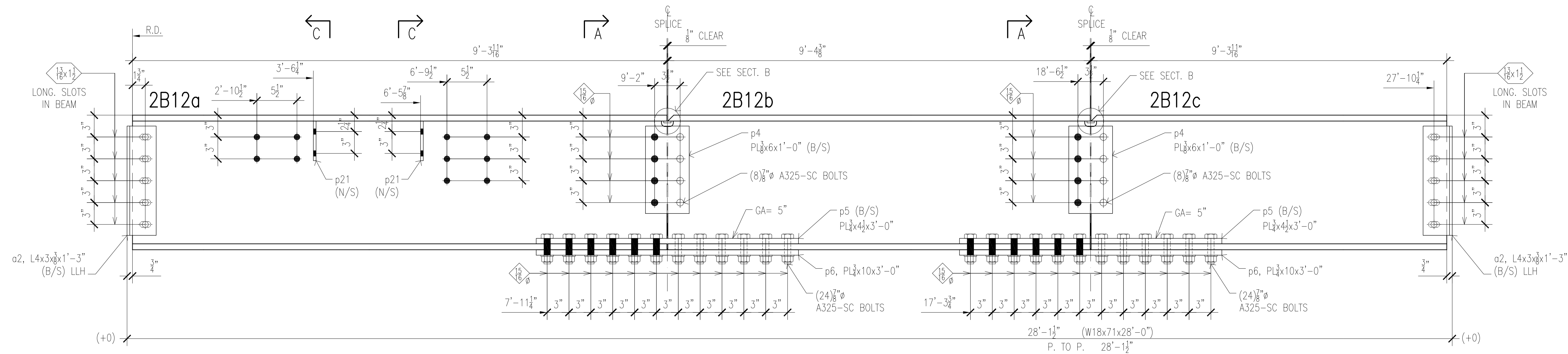
PROJECT:
DUNNAGE @ ROOF

REV DATE BY
 PRINTS TITLE:
 DUNNAGE BATTERY SYSTEM A
 SHOP DRAWINGS

ARCHITECT:
 STRUCT.

DWG BY A.T.	DATE: 05/24/2013	CONTRACT	DRAWING
CHK'D BY L.A.	DATE: 05/24/2013		D26

NOTES:
 R.D. DENOTES RUNNING DIMENSIONS



ONE BEAM 2B12 REQ'D

FIELD BOLTS LIST		
24	3/8" Ø A325 BOLTS	3 3/4"
8	3/8" Ø A325 BOLTS	2 1/2"
4	3/4" Ø A325 BOLTS	2"

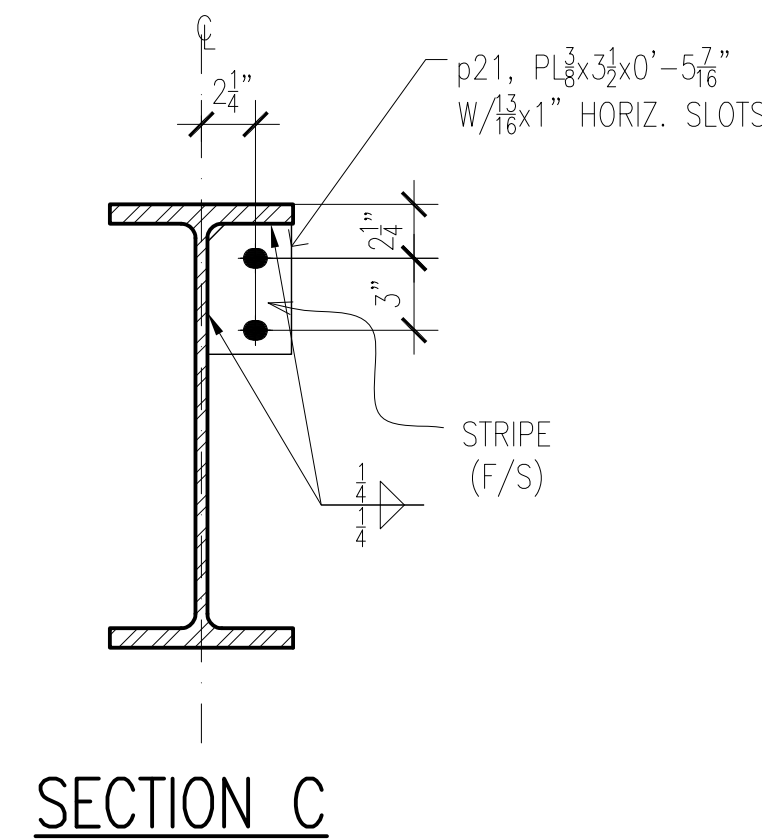
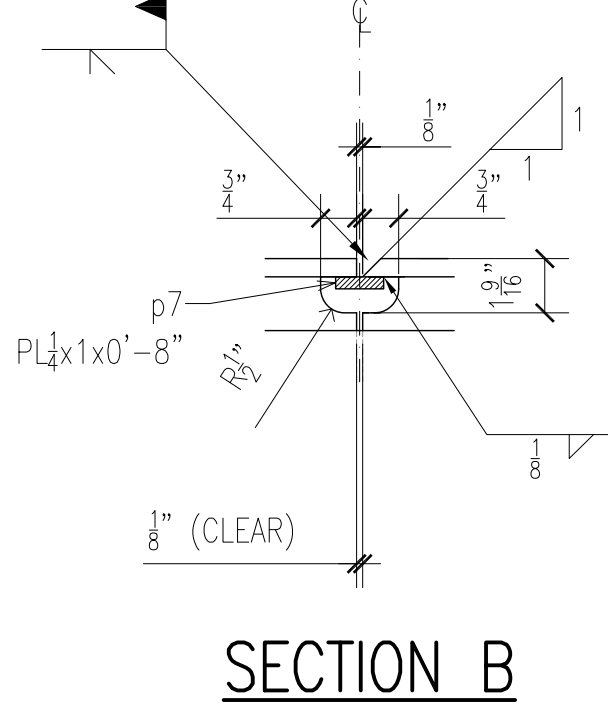
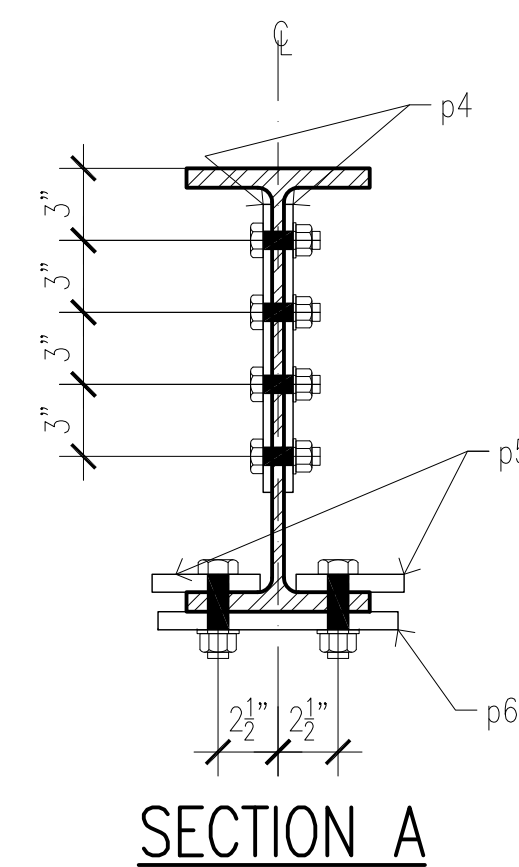
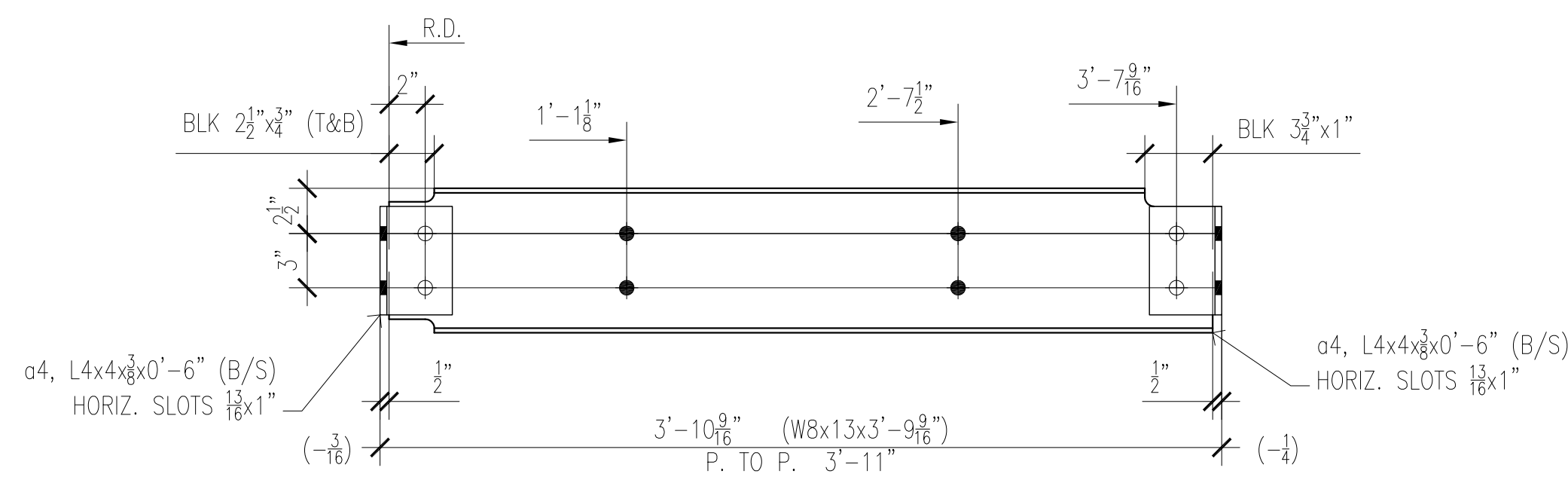
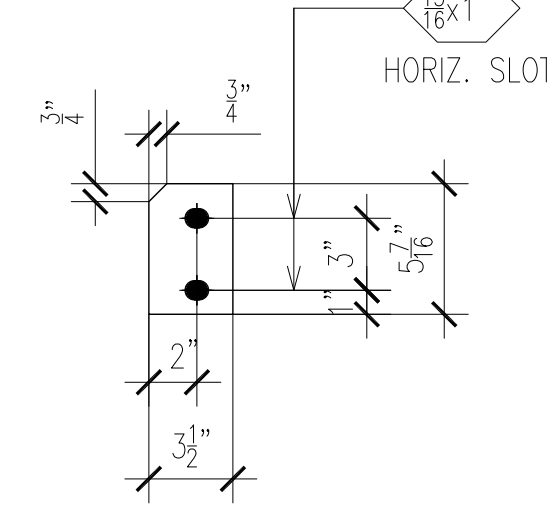
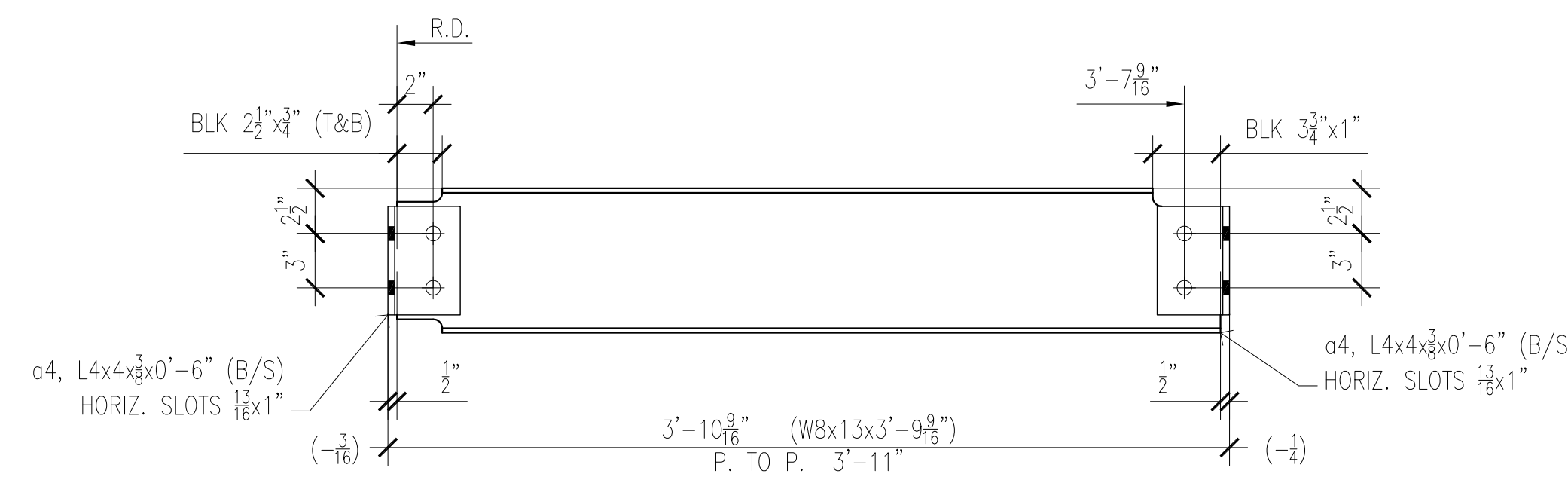


PLATE p21 DETAIL



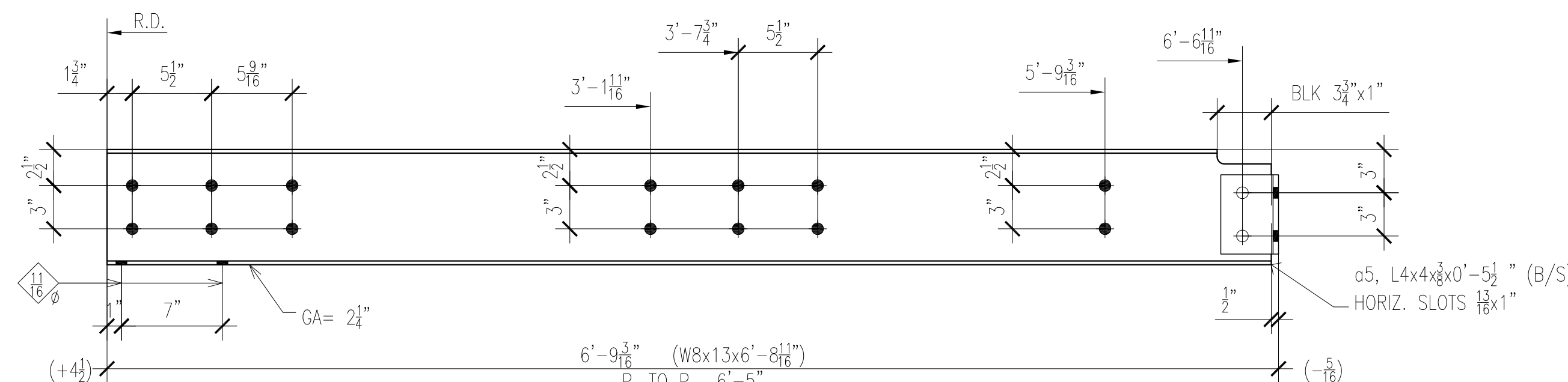
ONE BEAM 2B13 REQ'D

FIELD BOLTS LIST		
8	3/4" Ø A325 BOLTS	2"



ONE BEAM 2B14 REQ'D

FIELD BOLTS LIST		
4	3/4" Ø A325 BOLTS	2"



ONE BEAM 2B15 REQ'D

FIELD BOLTS LIST		
4	3/4" Ø A325 BOLTS	2 1/4"

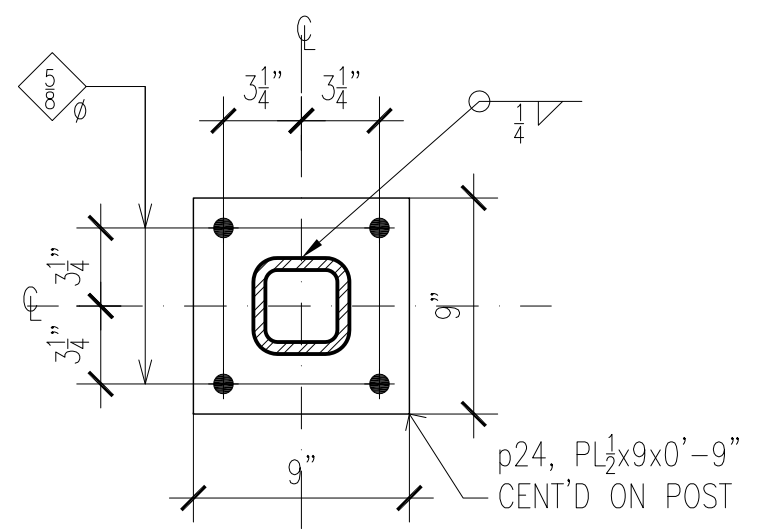
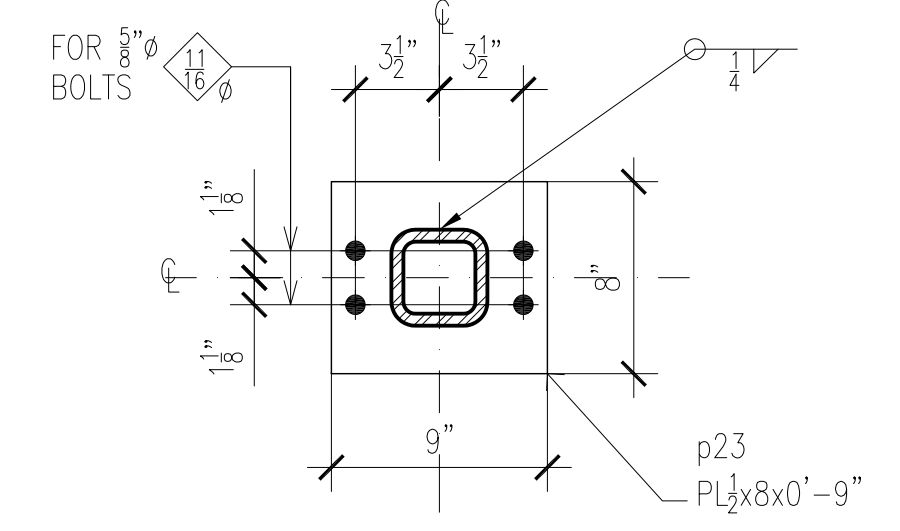
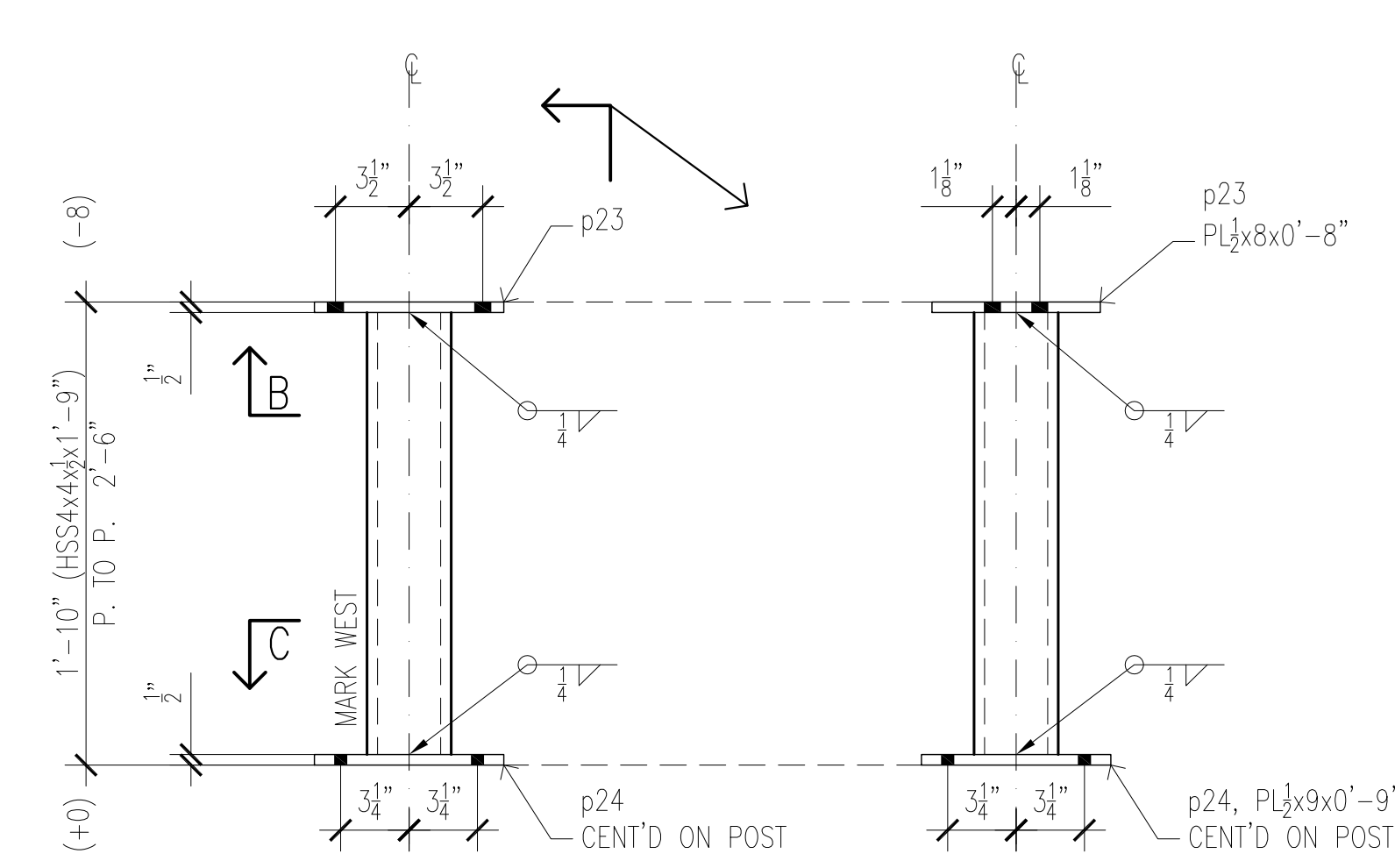
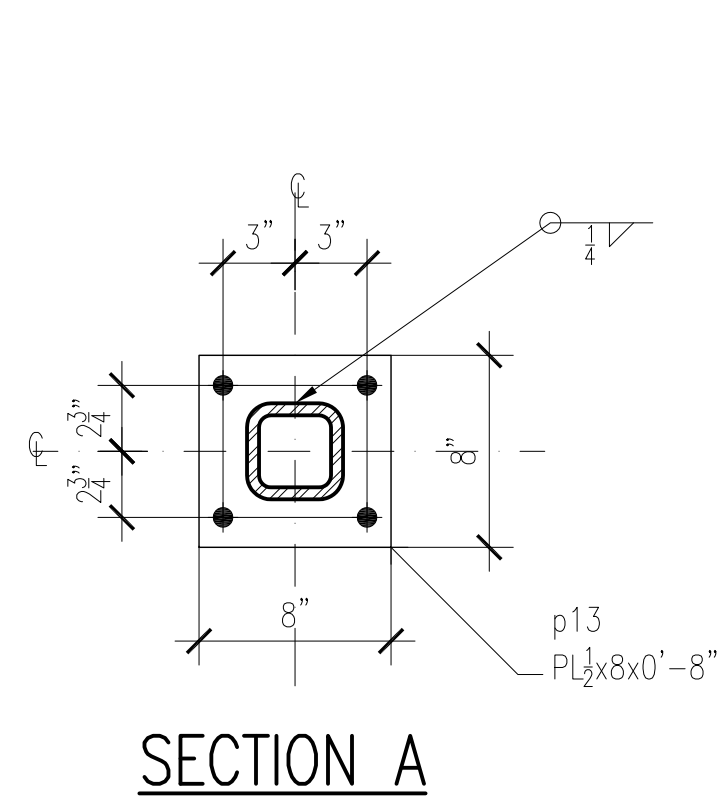
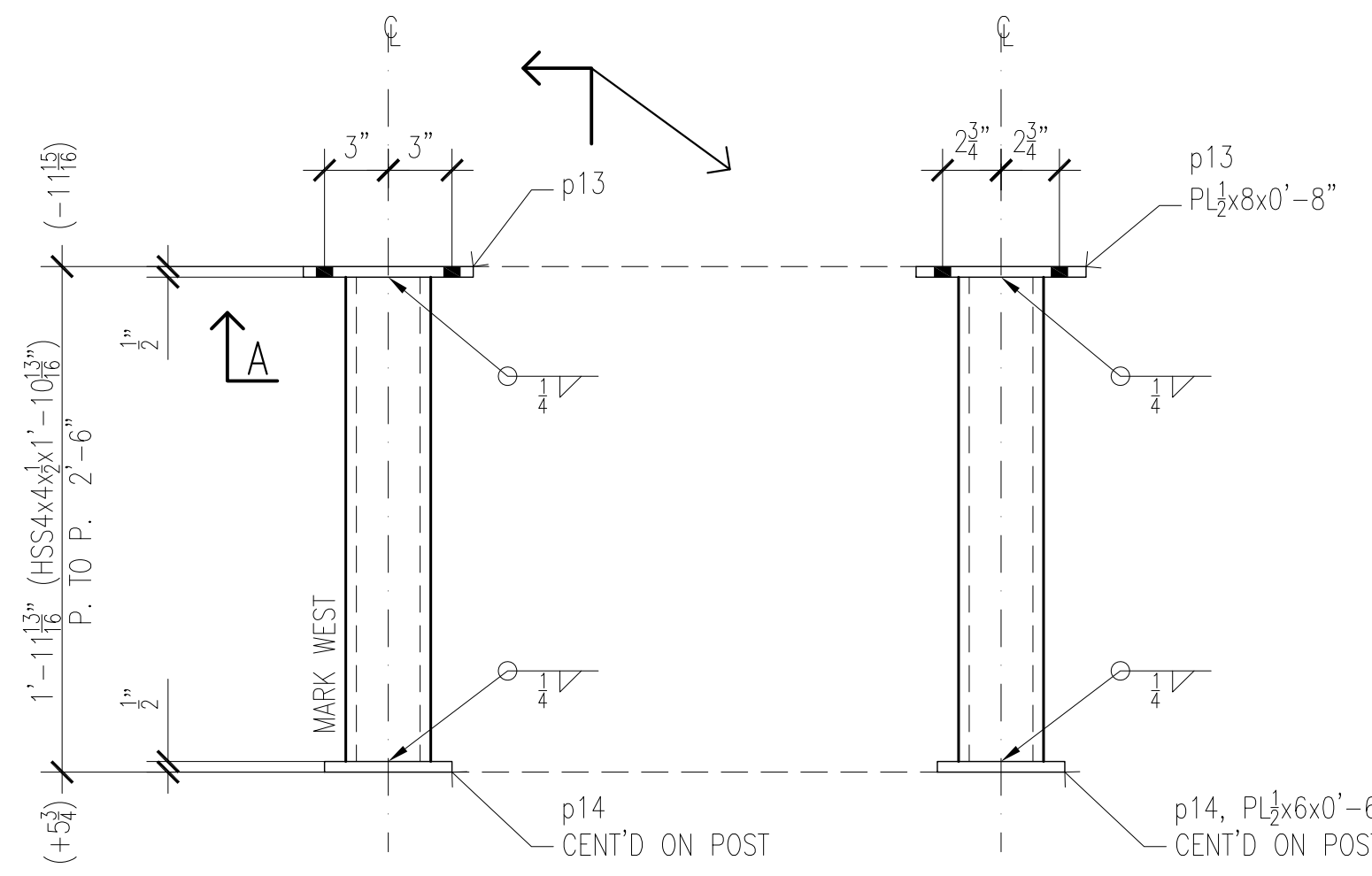
BILL OF MATERIAL							
Qty. Req'd	Ship Mark	Piece Mark	Description	Length		Total Weight	Remarks
				Ft.	In.		
1	2B12		BEAM				
1		2B12a	W18x71	9	3 1/16		
1		2B12b	W18x71	9	4 3/8		
1		2B12c	W18x71	9	3 1/16		
4		p4	PL 3/8x6	1	0		
4		p5	PL 3/4x4	3	0		
2		p6	PL 3/4x10	3	0		
2		p7	PL 1/2x1	0	8		
4		o2	L4x3 3/8	1	3		
2		p21	PL 3/8x3	0	5 7/8		
24			3/8" Ø A325 BOLTS	0	3 3/4		SHOP BOLTS
8			3/8" Ø A325 BOLTS	0	2 1/2		SHOP BOLTS
10			3/4" Ø A325 BOLTS	0	2		
1	2B13		BEAM				
1		2B13	W8x13	3	9 9/16		
4		o4	L4x4 1/2	0	6		
4			3/4" Ø A325 BOLTS	0	2 1/4		SHOP BOLTS
1	2B14		BEAM				
1		2B14	W8x13	3	9 9/16		
4		o4	L4x4 1/2	0	6		
4			3/4" Ø A325 BOLTS	0	2 1/4		SHOP BOLTS
1	2B15		BEAM				
1		2B151	W8x13	6	8 1/16		
2		o5	L4x4 1/2	0	5 7/8		
2			3/4" Ø A325 BOLTS	0	2 1/4		SHOP BOLTS

DWG. REF.: E23, E24 & E25

NOTES:
 MATERIAL: ALL STRUC. STEEL ASTM A-572 GR. 50.
 ALL PLATES, ANGLES, CHANNELS AND MISC. ASTM A-36
 HOLES: 1 3/8" Ø (U.N.O.)
 BOLTS: 3/4" Ø A325-SC (U.N.O.)
 WELD: E70XX (U.N.O.)
 PAINT: ONE COAT OF SHOP PRIMER. GRATING GALVANIZED

REVISIONS			NORTHEASTERN STEEL INC.	
N°	DATE	REMARKS	PROJECT:	
			DUNNAGE © ROOF	
			TITLE:	DUNNAGE BATTERY SYSTEM A SHOP DRAWINGS
			ARCHITECT:	
			STRUCT.	
			DWG BY	A.T.
			DATE:	05/24/2013
			CONTRACT	
			DRAWING	
			CHK'D BY	L.A.
			DATE:	05/24/2013
				D27

NOTES:
 R.D. DENOTES RUNNING DIMENSIONS



ONE POST 2P2 REQ'D

FIELD BOLTS LIST		
4	3/4" Ø A325 BOLTS	2 1/4"

ONE POST 2P3 REQ'D

FIELD BOLTS LIST		
4	3/8" Ø A325 BOLTS	2 1/4"
4	3/8" Ø HILTI KB3	4 1/2"

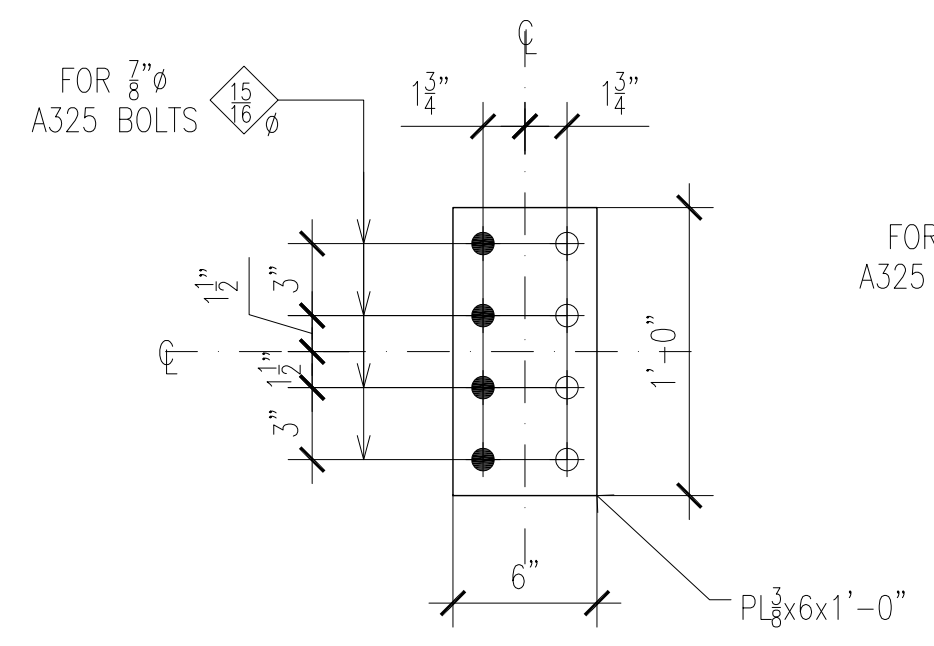


PLATE p4 DETAIL

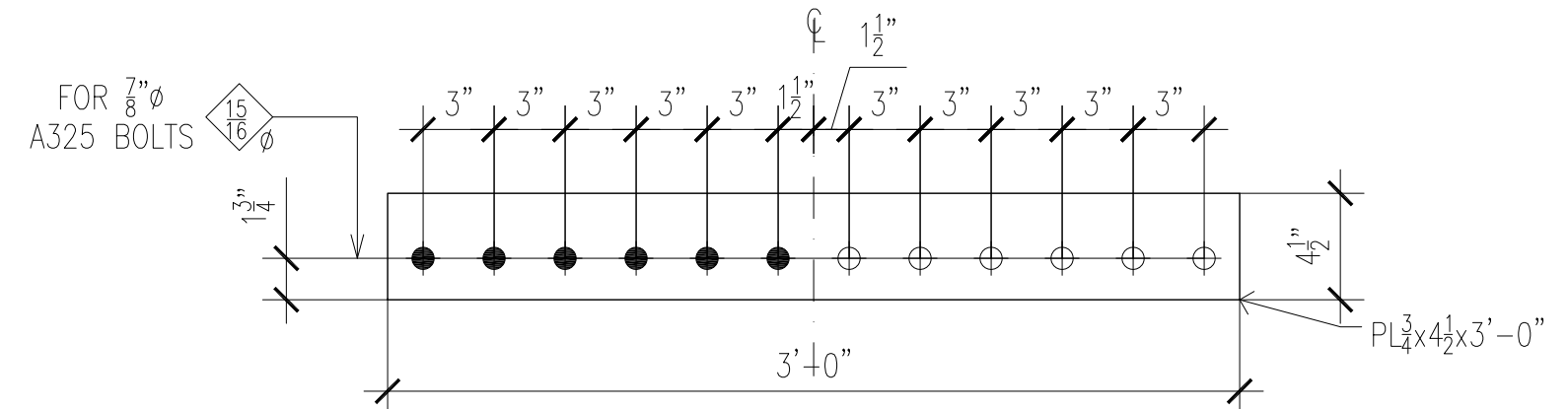


PLATE p5 DETAIL

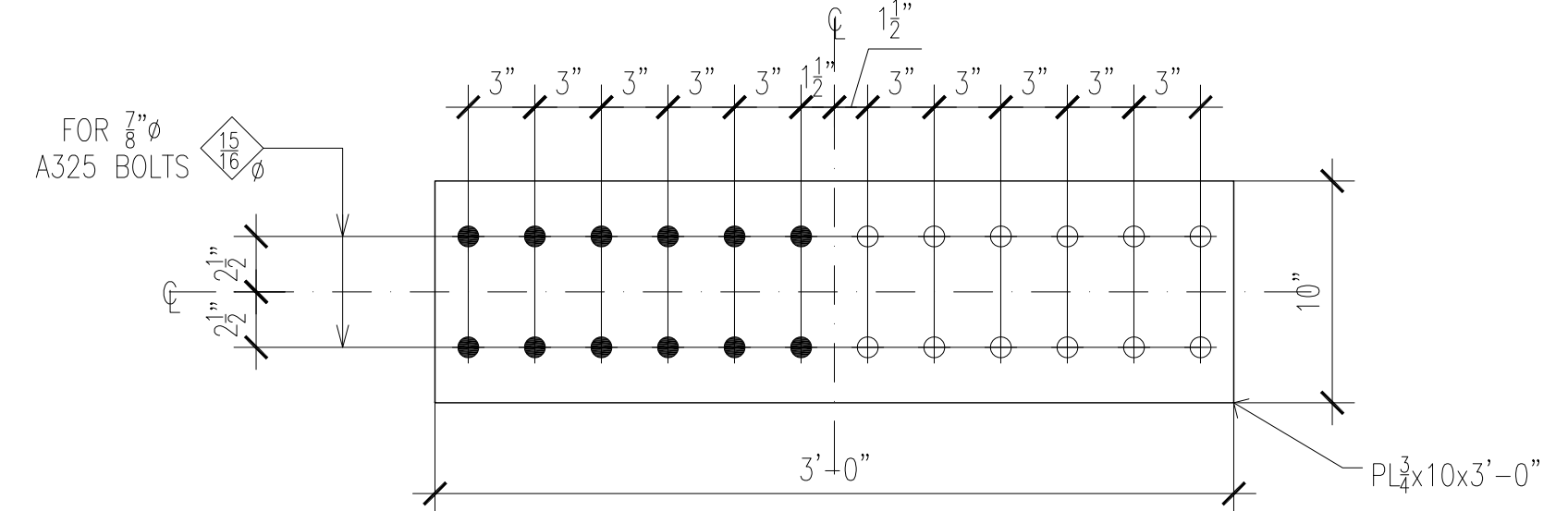


PLATE p6 DETAIL

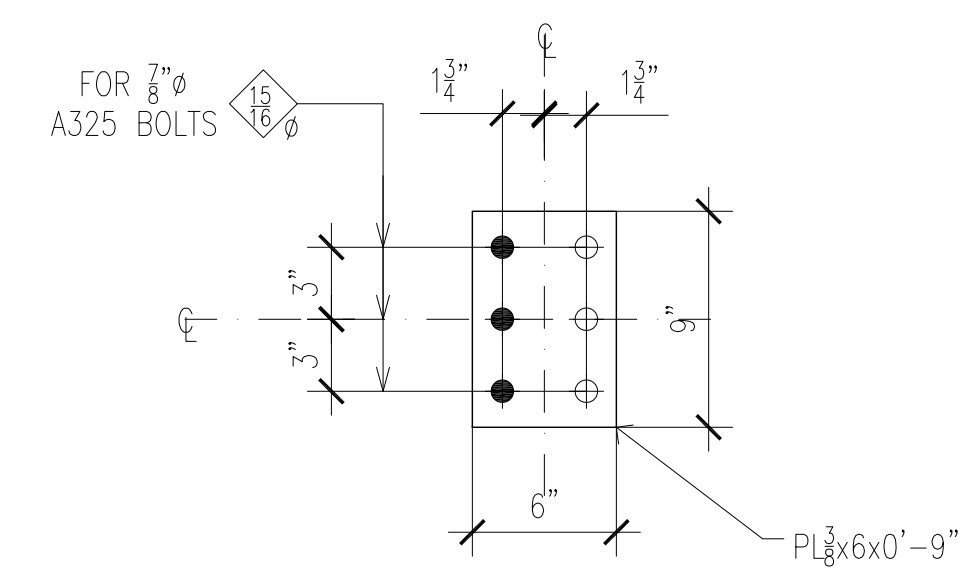


PLATE p3 DETAIL

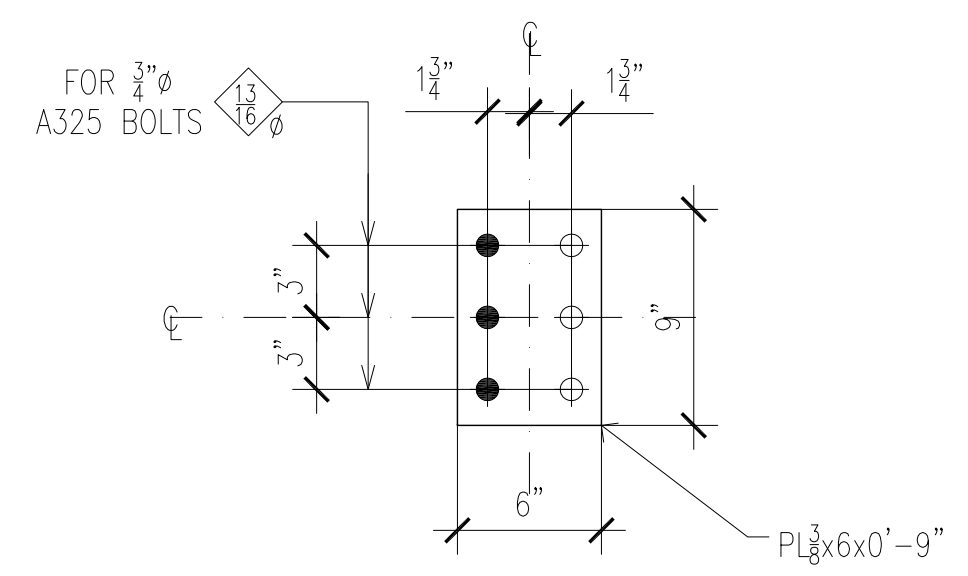


PLATE p22 DETAIL

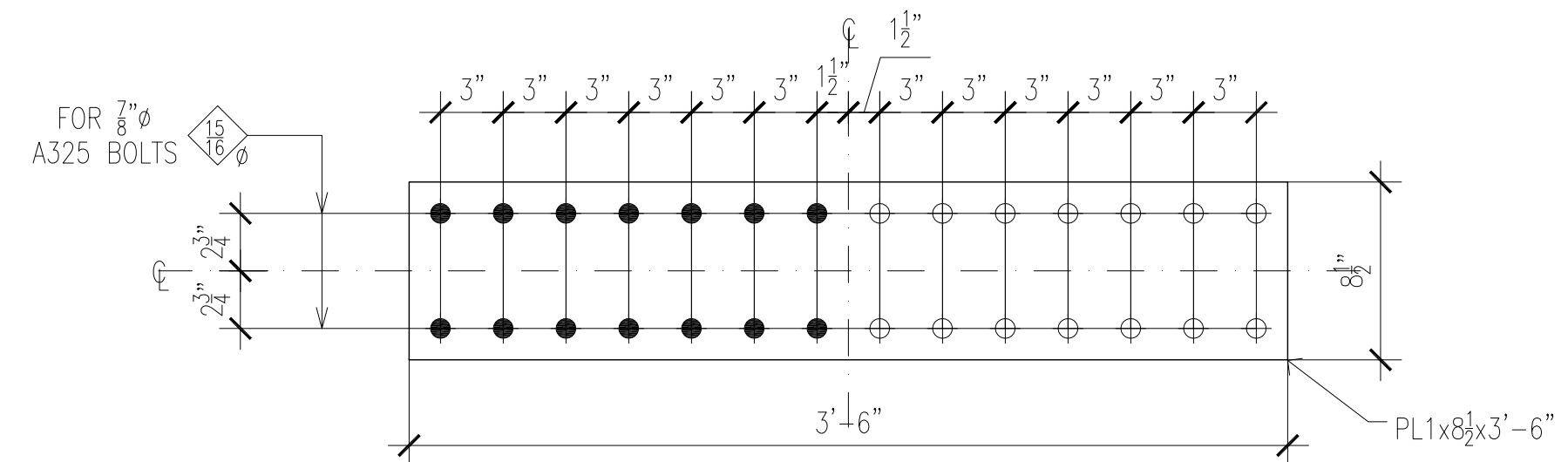


PLATE p10 DETAIL

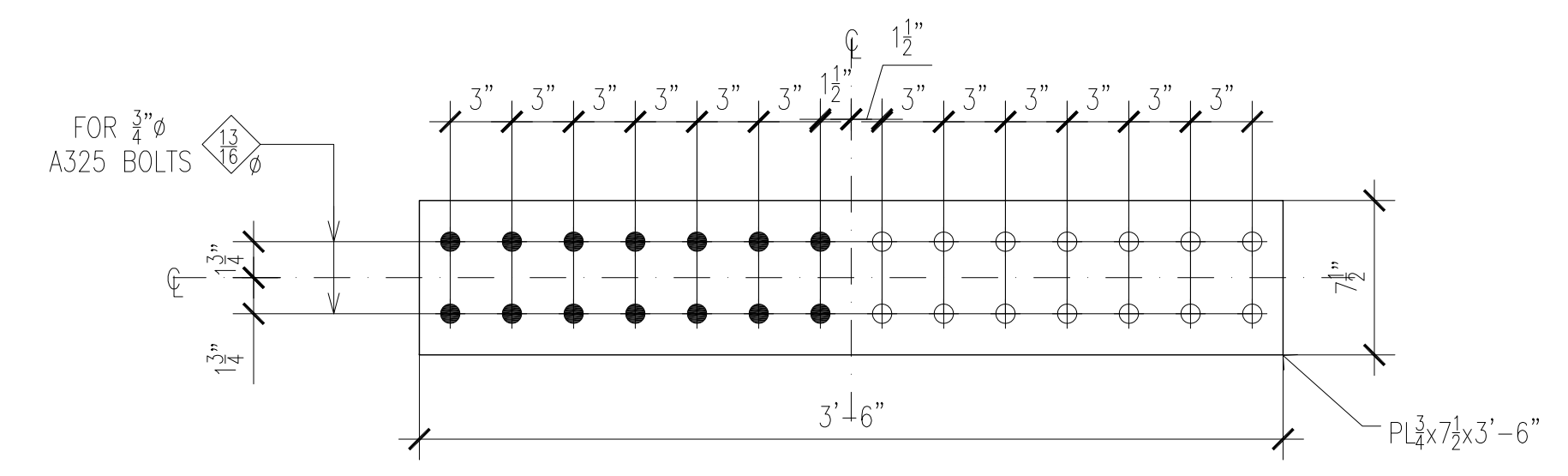


PLATE p16 DETAIL

BILL OF MATERIAL							
Qty. Req'd	Ship Mark	Piece Mark	Description	Length		Total Weight	Remarks
				Ft.	In.		
1	2P2		POST				
1		2P2	HSS4x4x1'	1	10 3/8		
1		p13	PL 1/2x8	0	8		
1		p14	PL 1/2x6	0	6		
1	2P3						
1		2P3	HSS4x4x1'	1	9		
1		p23	PL 1/2x8	0	9		
1		p24	PL 1/2x9	0	9		

DWG. REF.: E23, E24 & E25

NOTES:
 MATERIAL: ALL STRUC. STEEL ASTM A-572 GR. 50,
 ALL PLATES, ANGLES, CHANNELS AND MISC. ASTM A-36
 HOLES: 1/16" Ø (U.N.O.)
 BOLTS: 3/4" Ø A325-SC (U.N.O.)
 WELD: E70XX (U.N.O.)
 PAINT: ONE COAT OF SHOP PRIMER. GRATING GALVANIZED

REVISIONS			DATE	REMARKS
N°	DATE	REMARKS		

NORTHEASTERN STEEL INC.

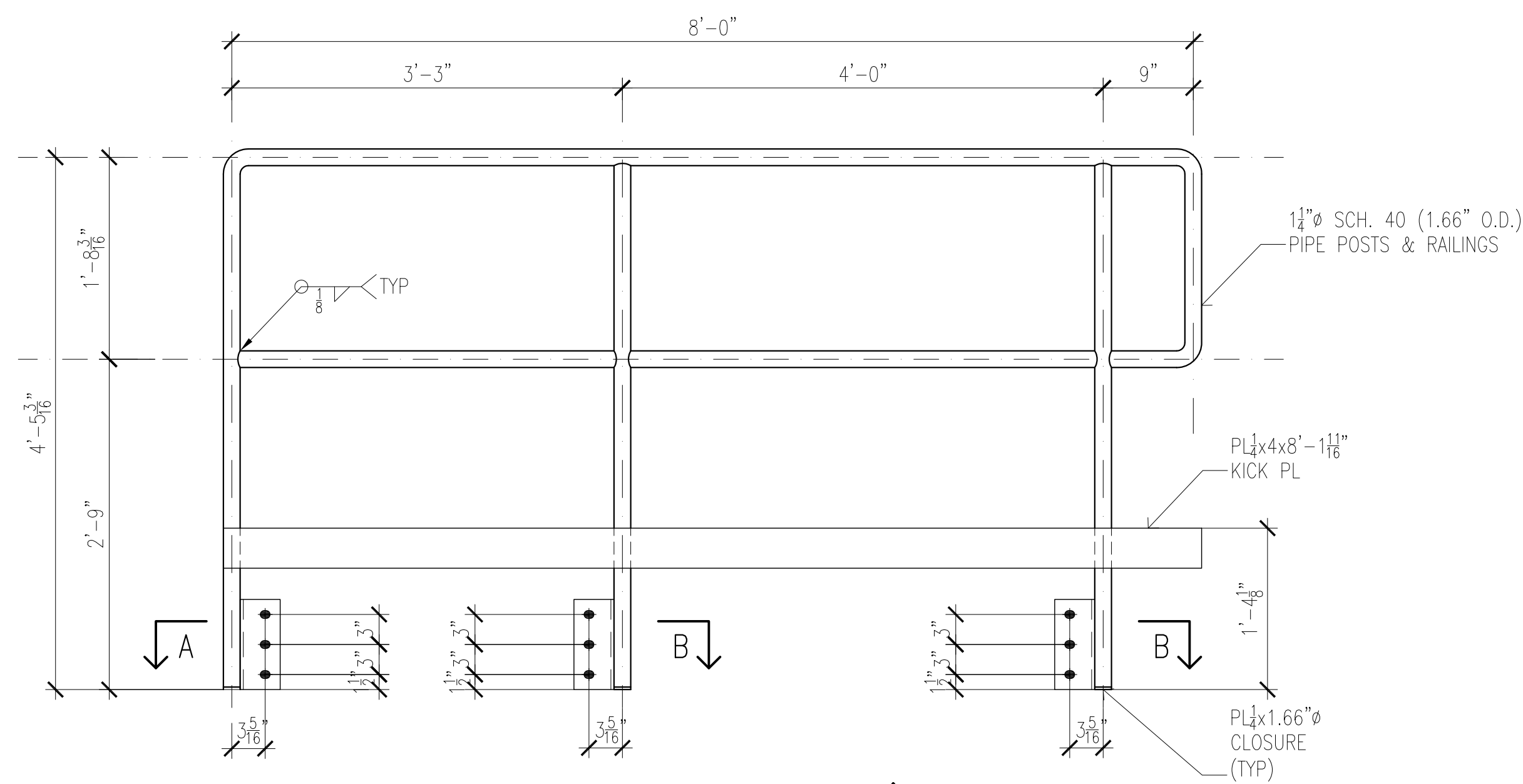
PROJECT:
DUNNAGE @ ROOF

TITLE:
 DUNNAGE BATTERY SYSTEM A
 SHOP DRAWINGS

ARCHITECT:
 STRUCT.

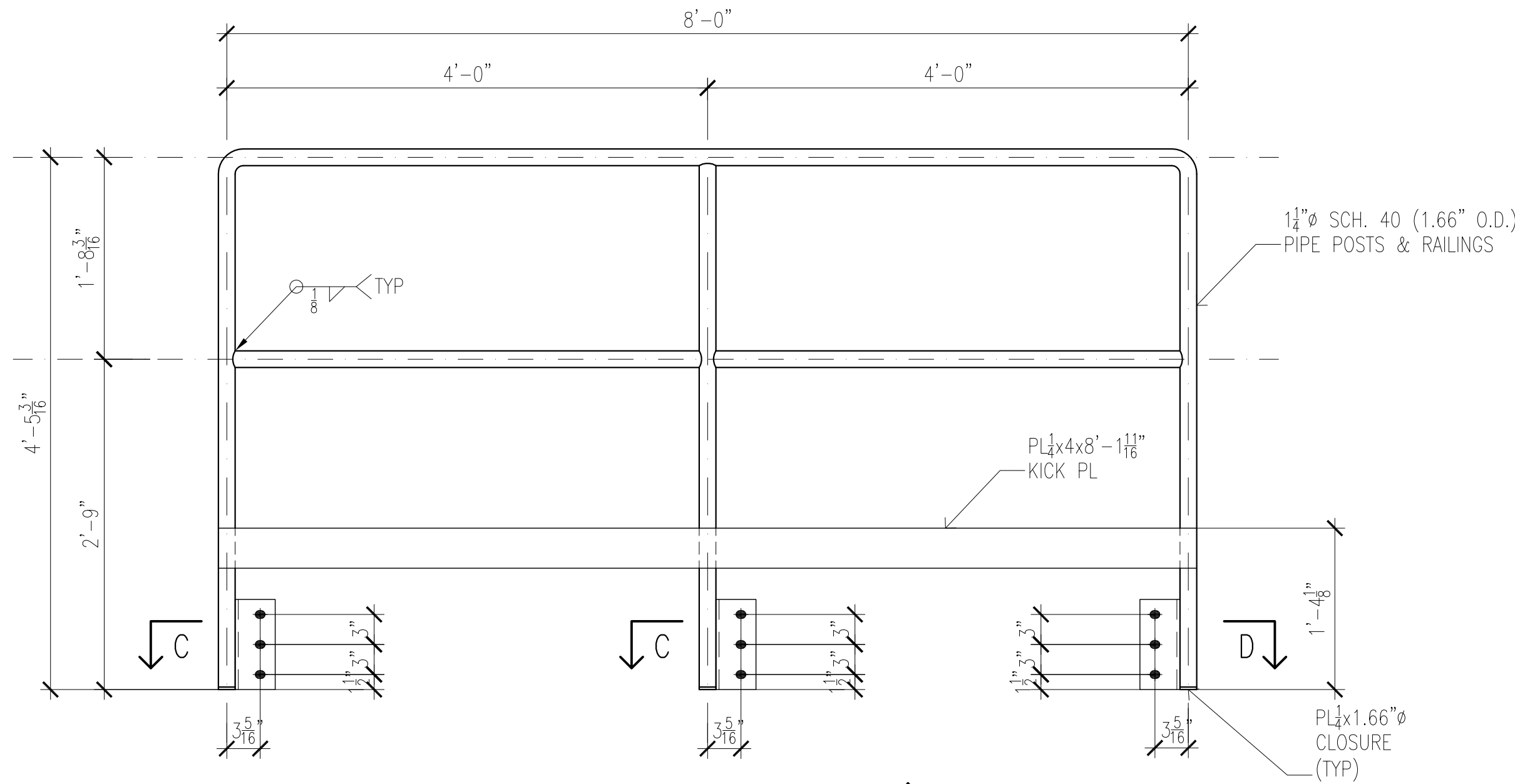
DWG BY A.T.	DATE: 05/24/2013	CONTRACT	DRAWING
CHK'D BY L.A.	DATE: 05/24/2013		D28

NOTES:
 R.D. DENOTES RUNNING DIMENSIONS



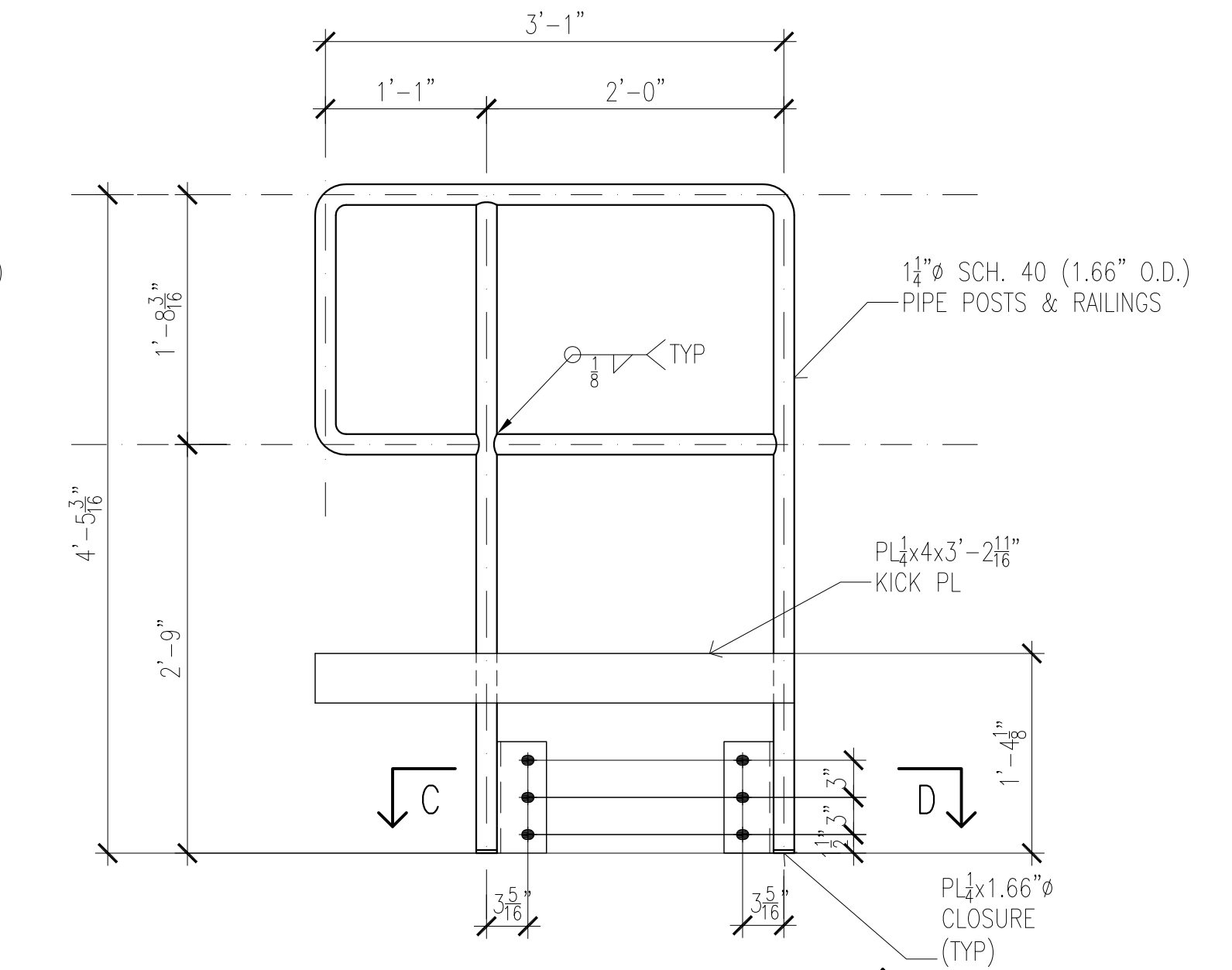
ONE RAILING GR-5 REQ'D

FIELD BOLTS LIST		
9	3/4" Ø PLAIN A325 BOLTS	2"



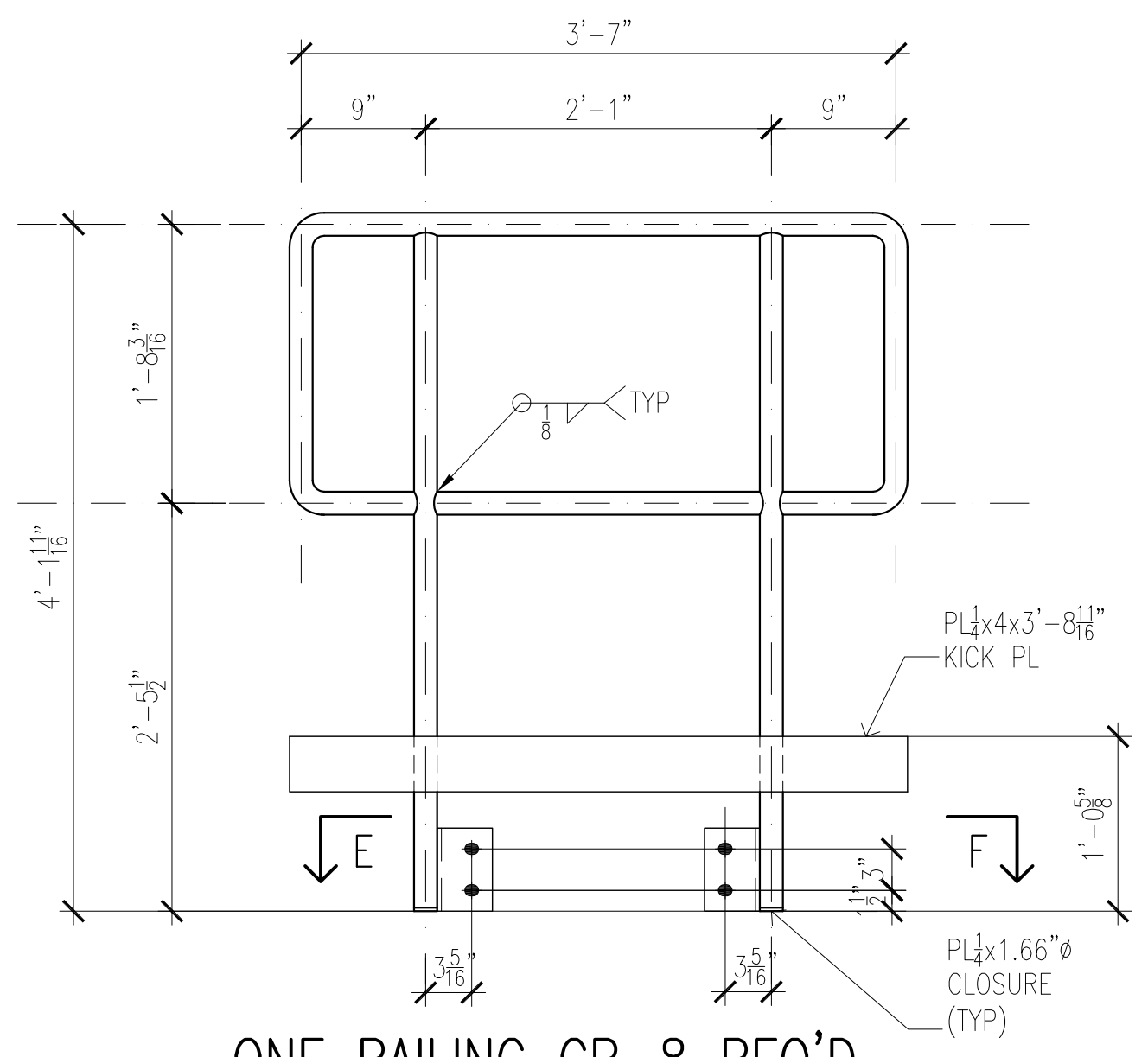
2 RAILINGS GR-6 REQ'D

FIELD BOLTS LIST		
9	3/4" Ø PLAIN A325 BOLTS	1 1/2"



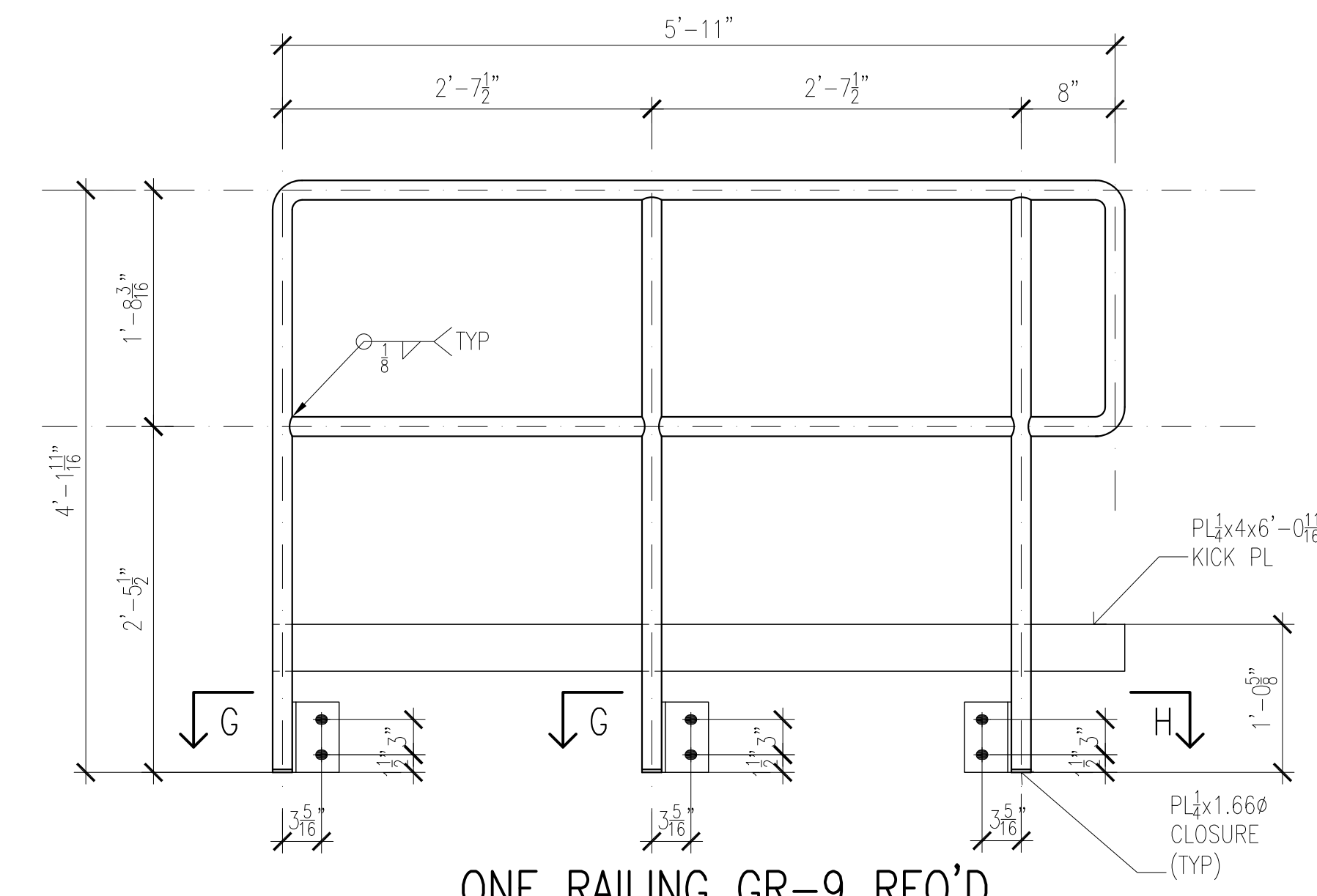
ONE RAILING GR-7 REQ'D

FIELD BOLTS LIST		
6	3/4" Ø PLAIN A325 BOLTS	1 1/2"



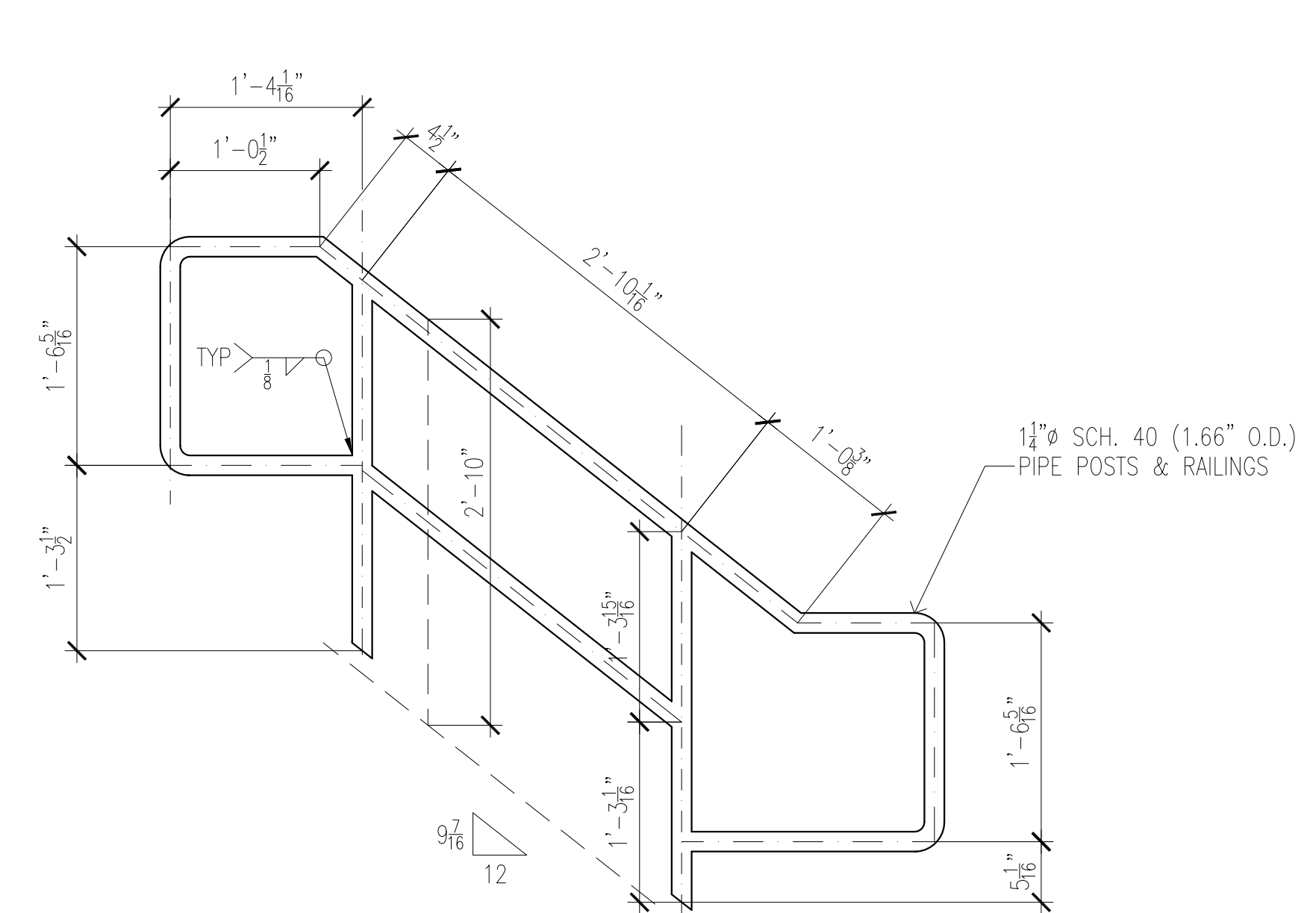
ONE RAILING GR-8 REQ'D

FIELD BOLTS LIST		
4	3/4" Ø PLAIN A325 BOLTS	1 1/2"

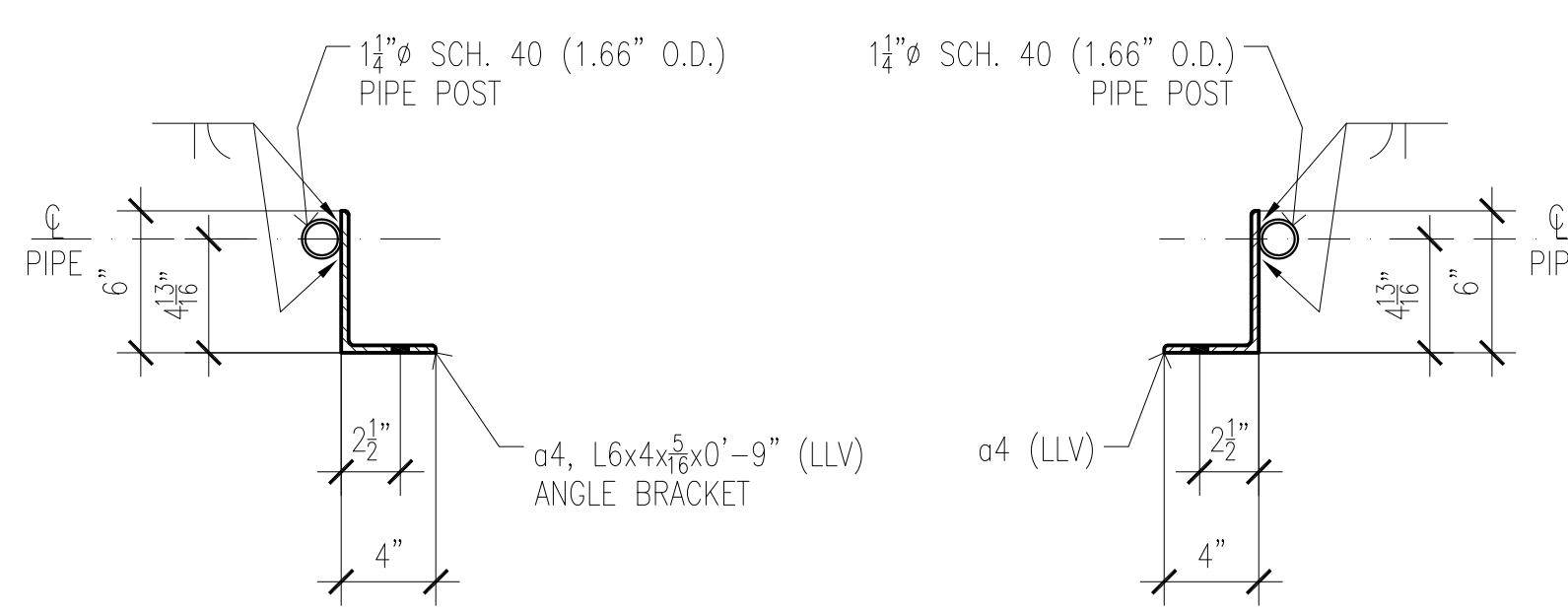


ONE RAILING GR-9 REQ'D

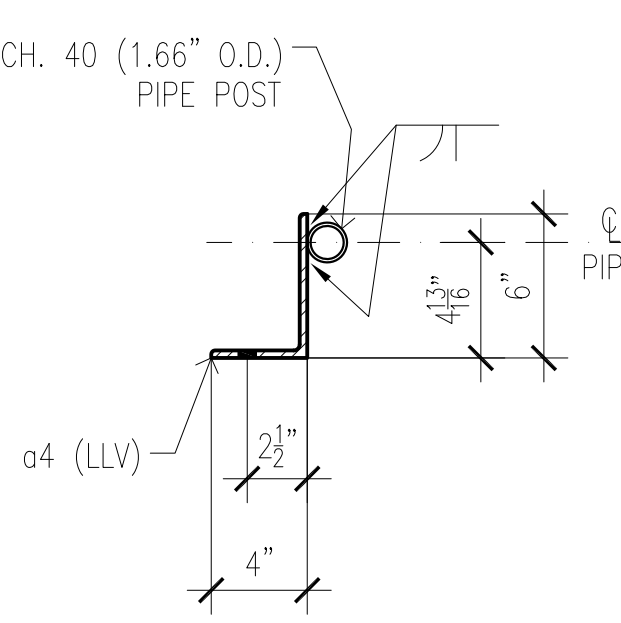
FIELD BOLTS LIST		
6	3/4" Ø PLAIN A325 BOLTS	1 1/2"



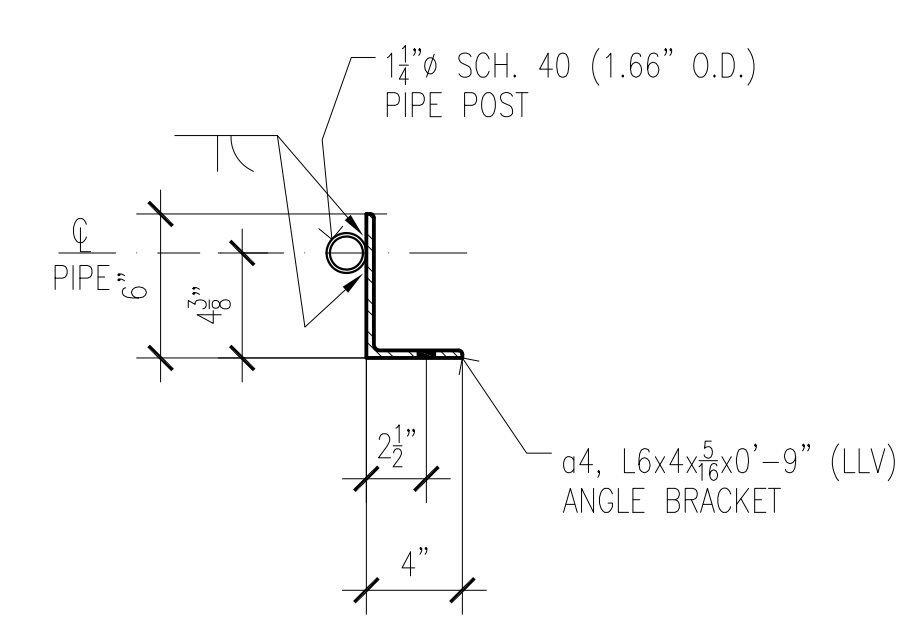
2 RAILINGS GR-10 REQ'D



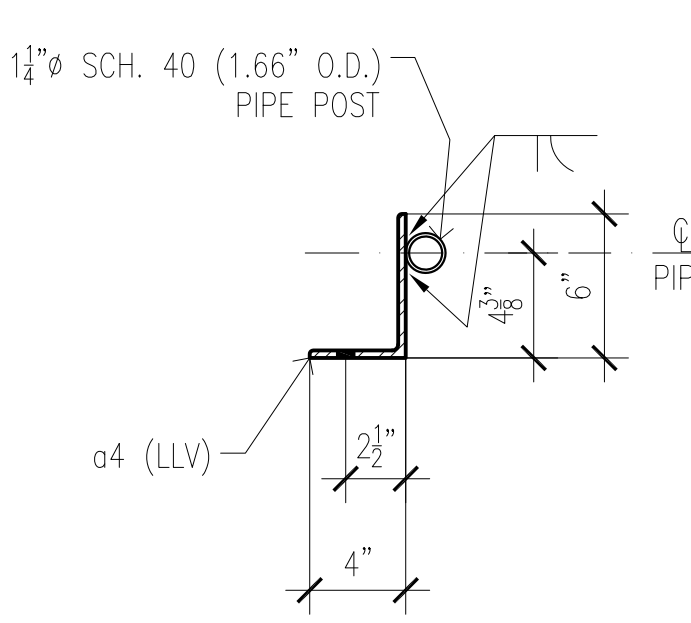
SECTION A



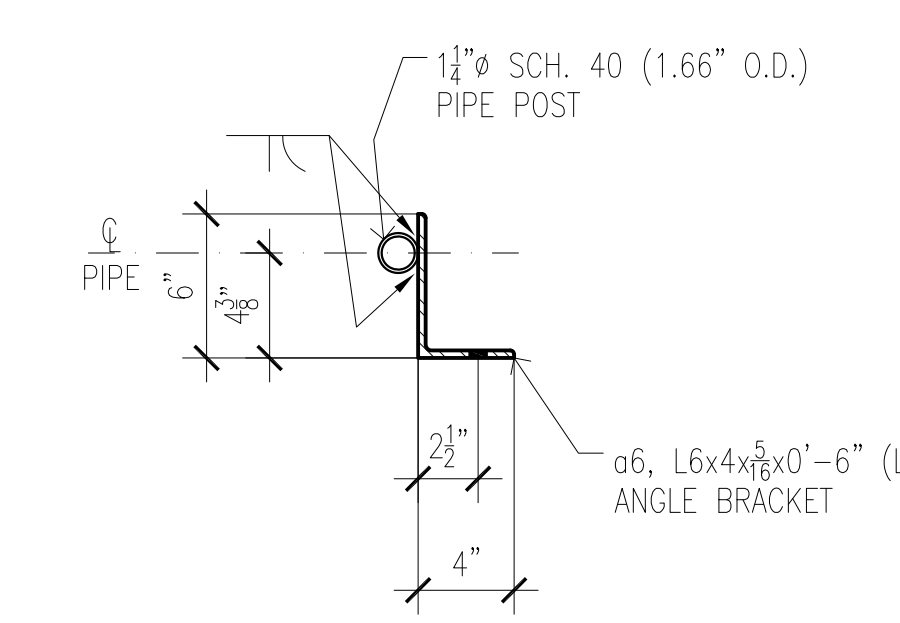
SECTION B



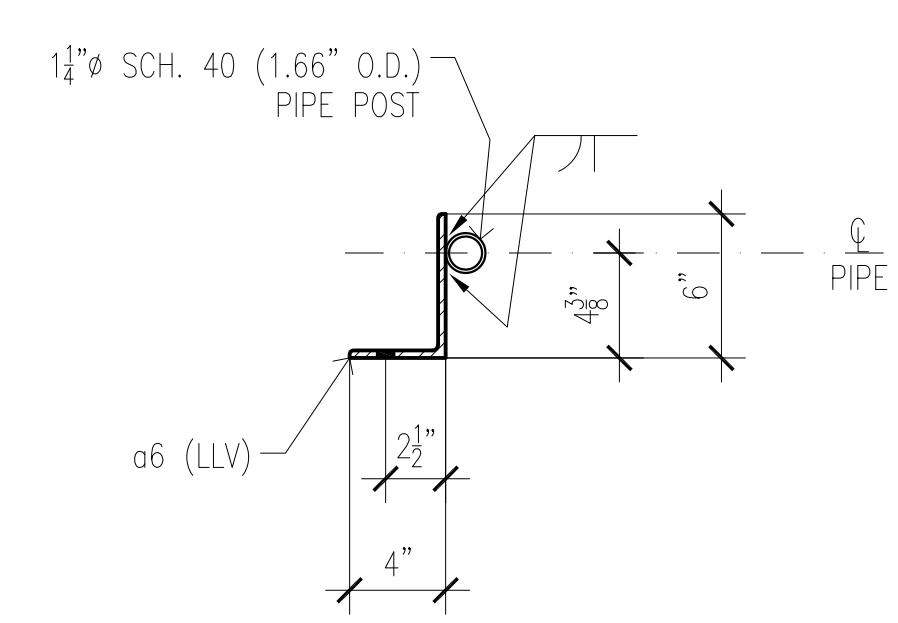
SECTION C



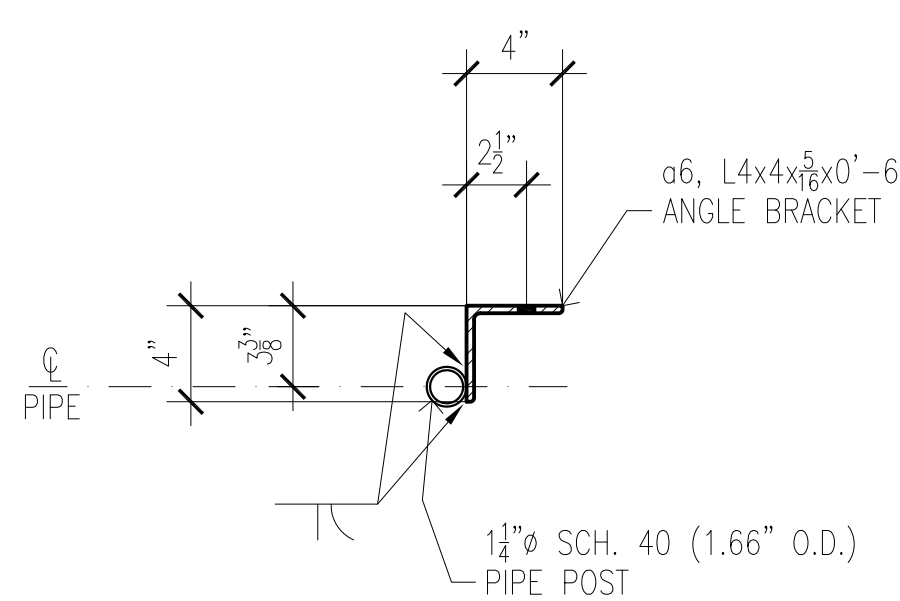
SECTION D



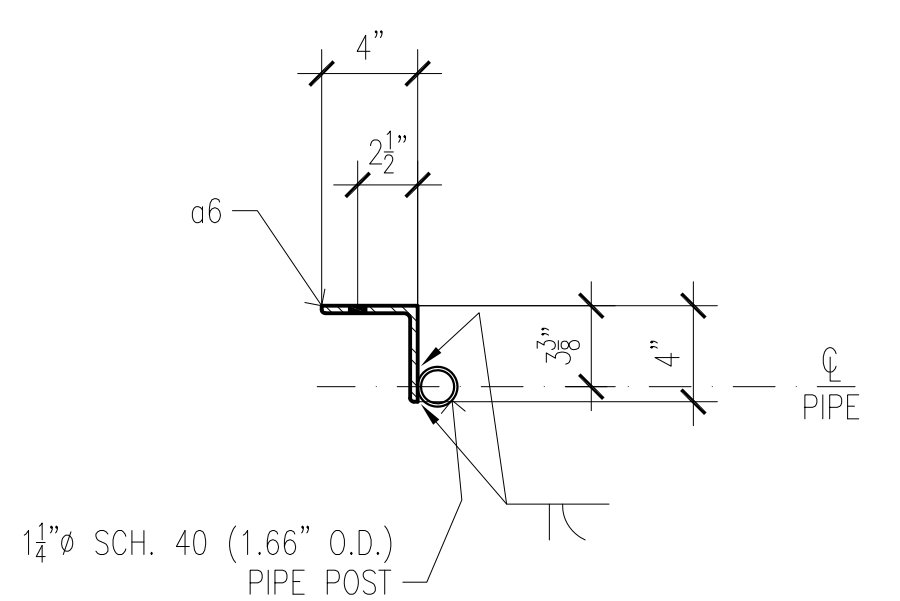
SECTION E



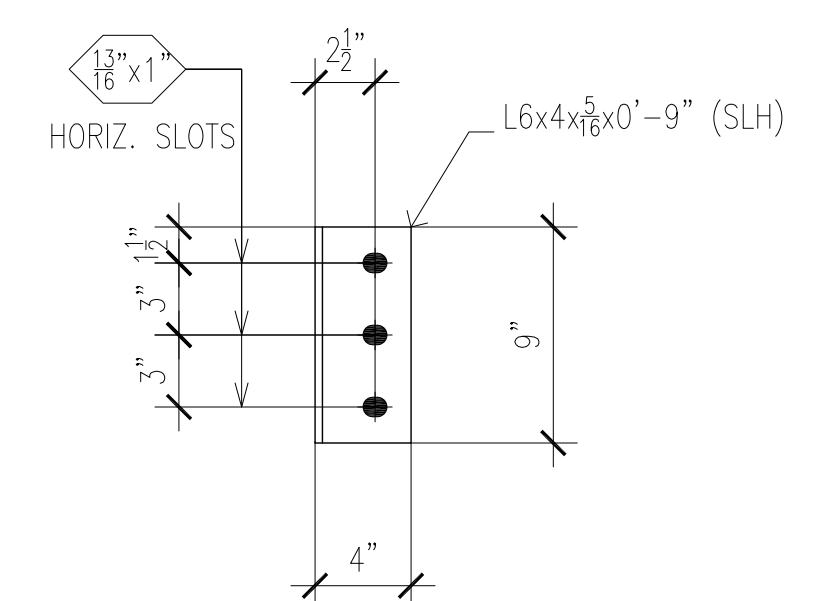
SECTION F



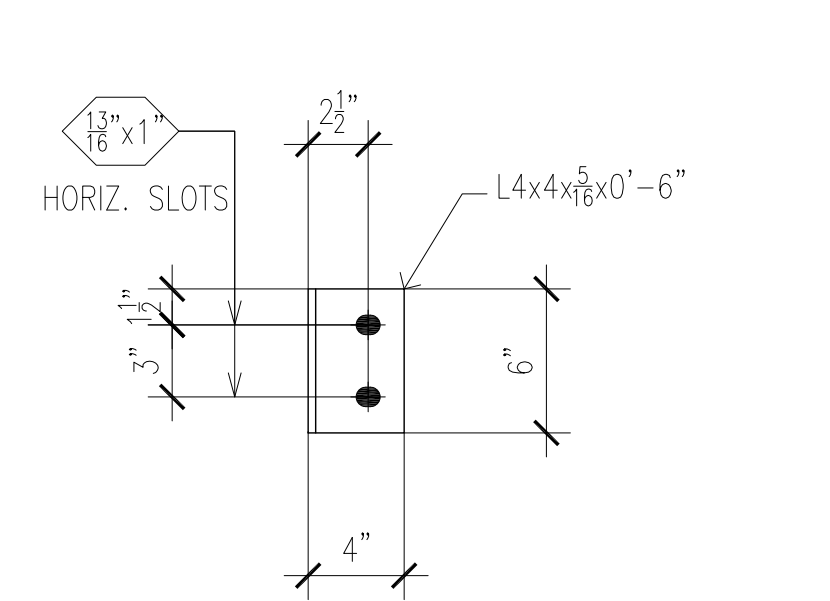
SECTION G



SECTION H



ANGLE BRACKET 04 DETAIL



ANGLE BRACKET 06 DETAIL

NOTES:
R.D. DENOTES RUNNING DIMENSIONS

DWG. REF.: E23, E24 & E25

NOTES:
MATERIAL: ALL STRUC. STEEL ASTM A-572 GR. 50,
ALL PLATES, ANGLES, CHANNELS AND MISC. ASTM A-36
HOLES: 1 1/8" Ø (U.N.O.)
BOLTS: 3/4" Ø A325-SC (U.N.O.)
WELD: E70XX (U.N.O.)
PAINT: ONE COAT OF SHOP PRIMER. GRATING GALVANIZED

REVISIONS			NORTHEASTERN STEEL INC.			
N°	DATE	REMARKS				
			PROJECT:			
			DUNNAGE © ROOF			
			TITLE:			
			DUNNAGE BATTERY SYSTEM A RAILINGS DRAWINGS			
			ARCHITECT:			
			STRUCT.			
			DWG BY	DATE:	CONTRACT	DRAWING
			A.T.	05/24/2013		
			CHK'D BY	DATE:		
			L.A.	05/24/2013		D29