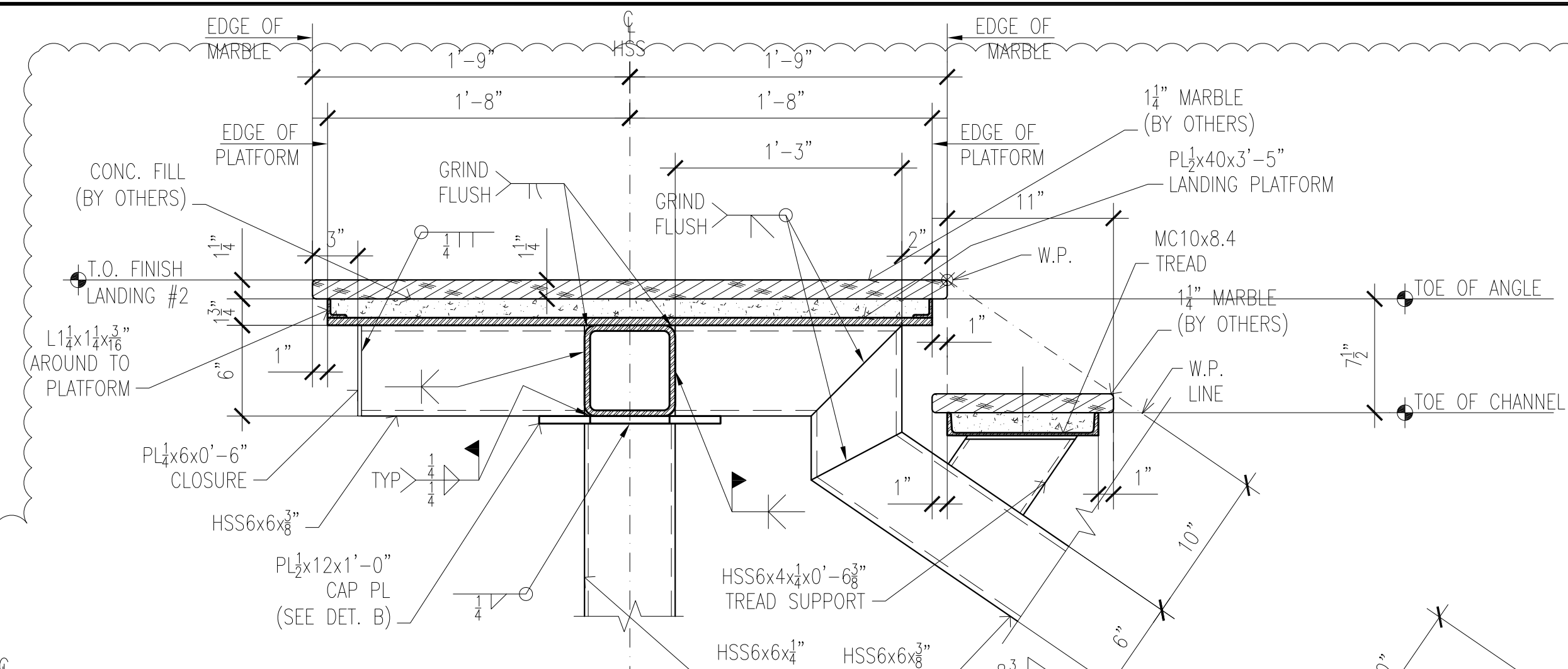


NOTES:  
 MATERIAL: ALL STRUC. STEEL ASTM A-992,  
 ALL PLATES, ANGLES, CHANNELS AND MISC. ASTM A-36  
 HOLES:  $\frac{1}{8}$ " (U.N.O.)  
 BOLTS:  $\frac{3}{4}$ " A325-SC (U.N.O.)  
 WELD: E70XX (U.N.O.)  
 PAINT: ONE COAT OF SHOP PRIMER

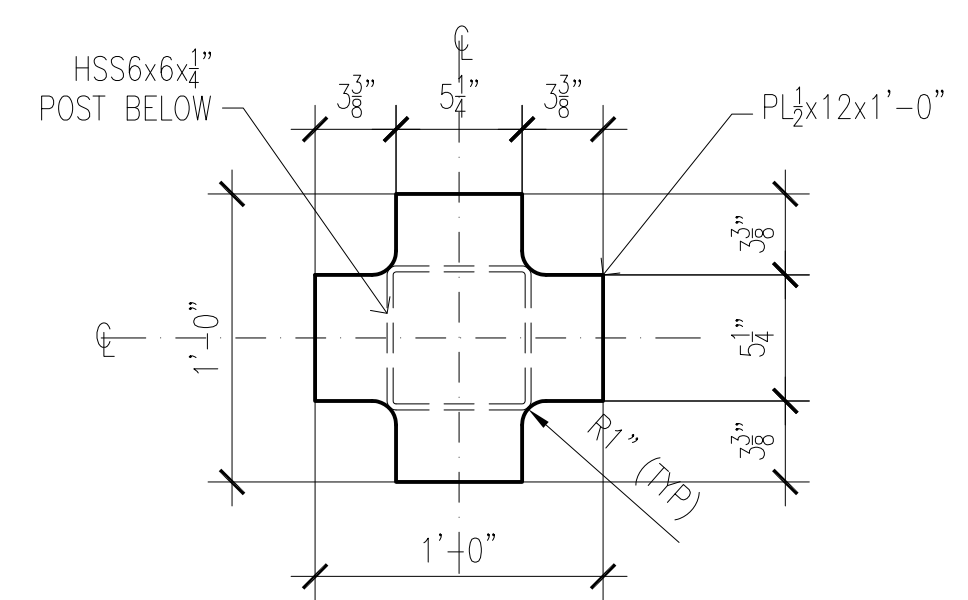
REVISIONS		
N°	DATE	REMARKS
1	04/18/13	AS PER COMMENTS

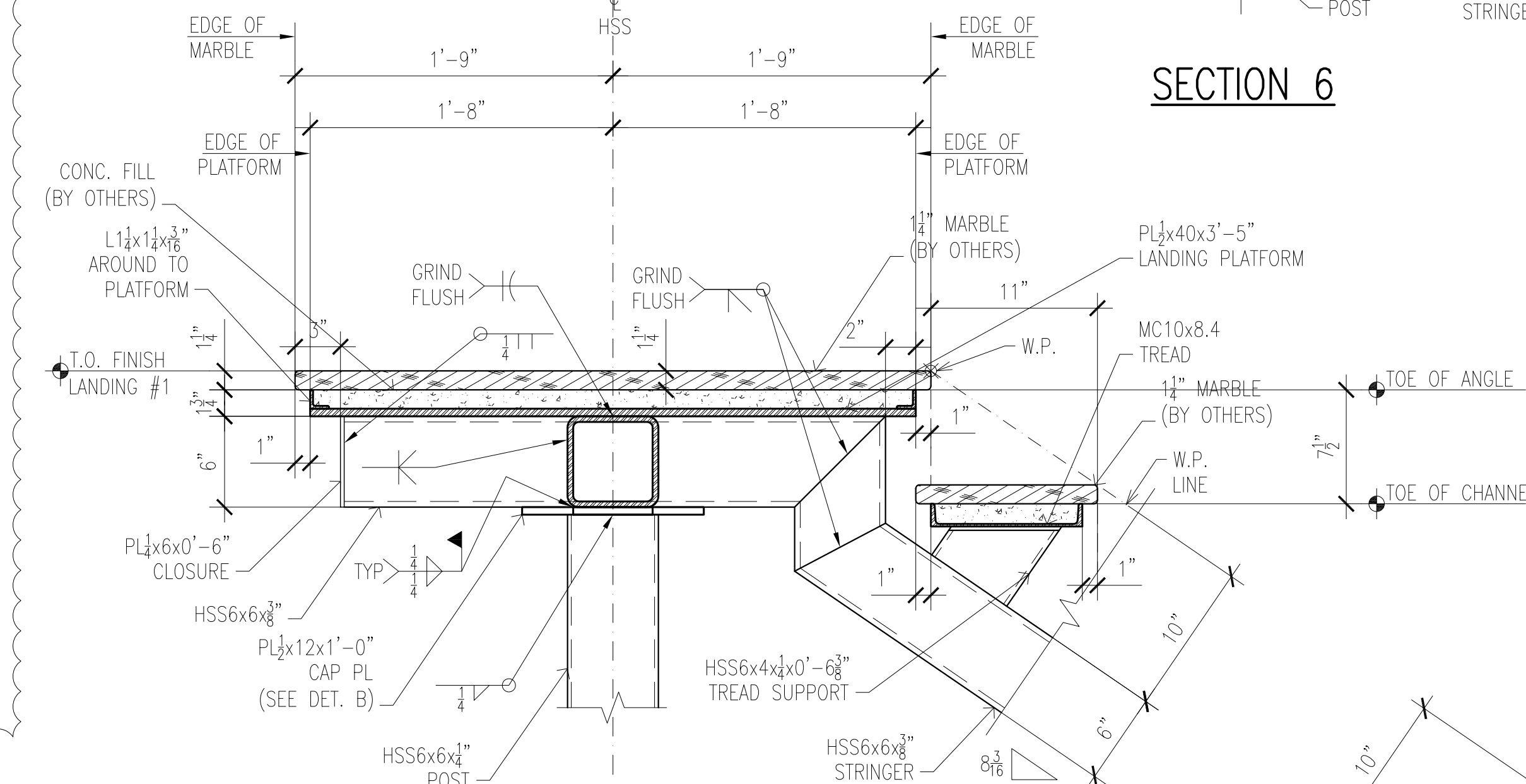
<b>NORTHEASTERN STEEL INC.</b>			
PROJECT:			
<b>MONOSTRINGER STAIR</b>			
TITLE:			
15TH - 16TH FLOOR STAIR STAIR FRAMING PLANS AND SECTIONS			
ARCHITECT:			
STRUCT.:			
DWG BY	DATE:	CONTRACT	DRAWING
A.T.	03/07/2013		M1
CHK'D BY	DATE:		
L.A.	03/07/2013		



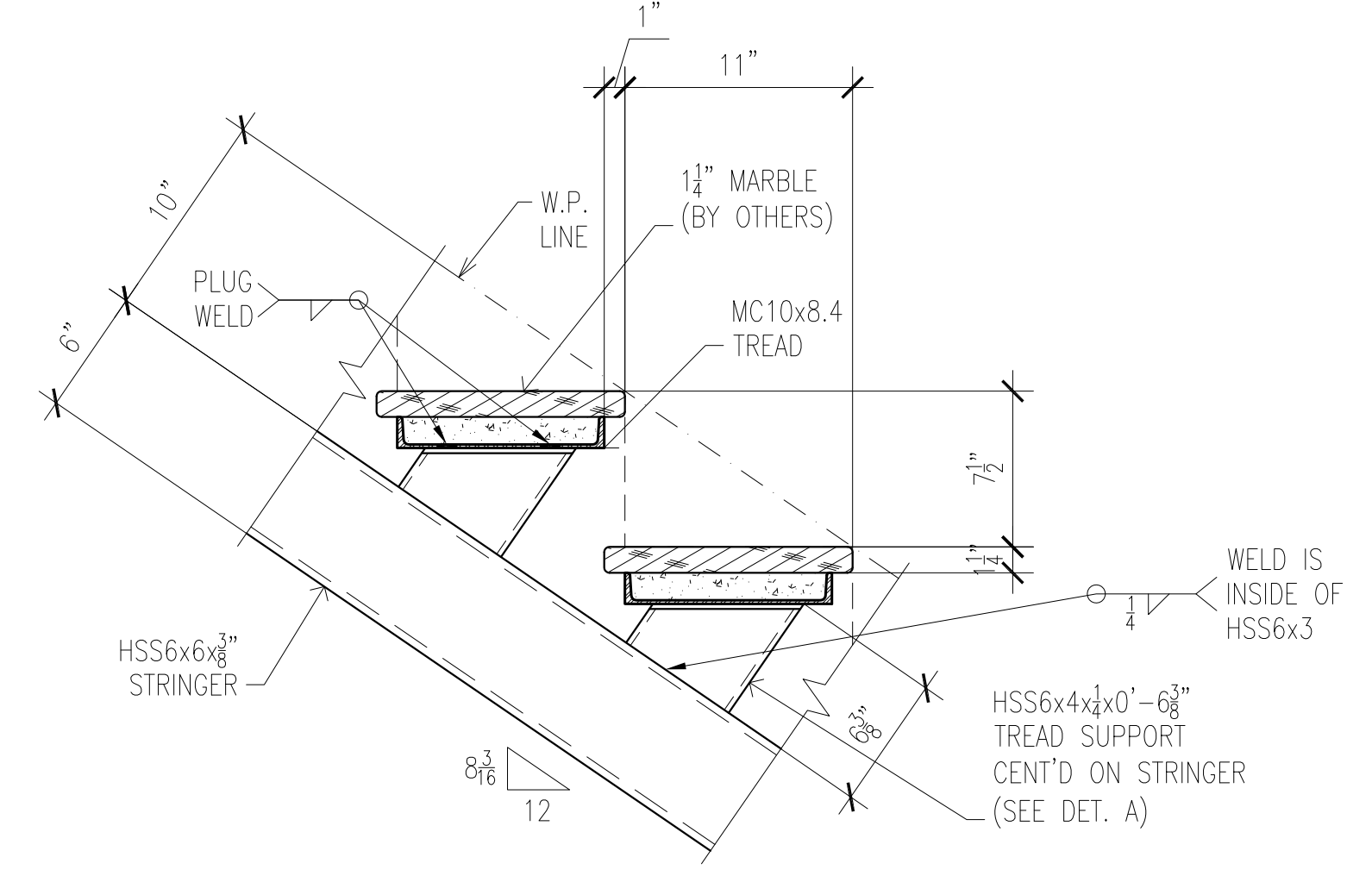
SECTION 6



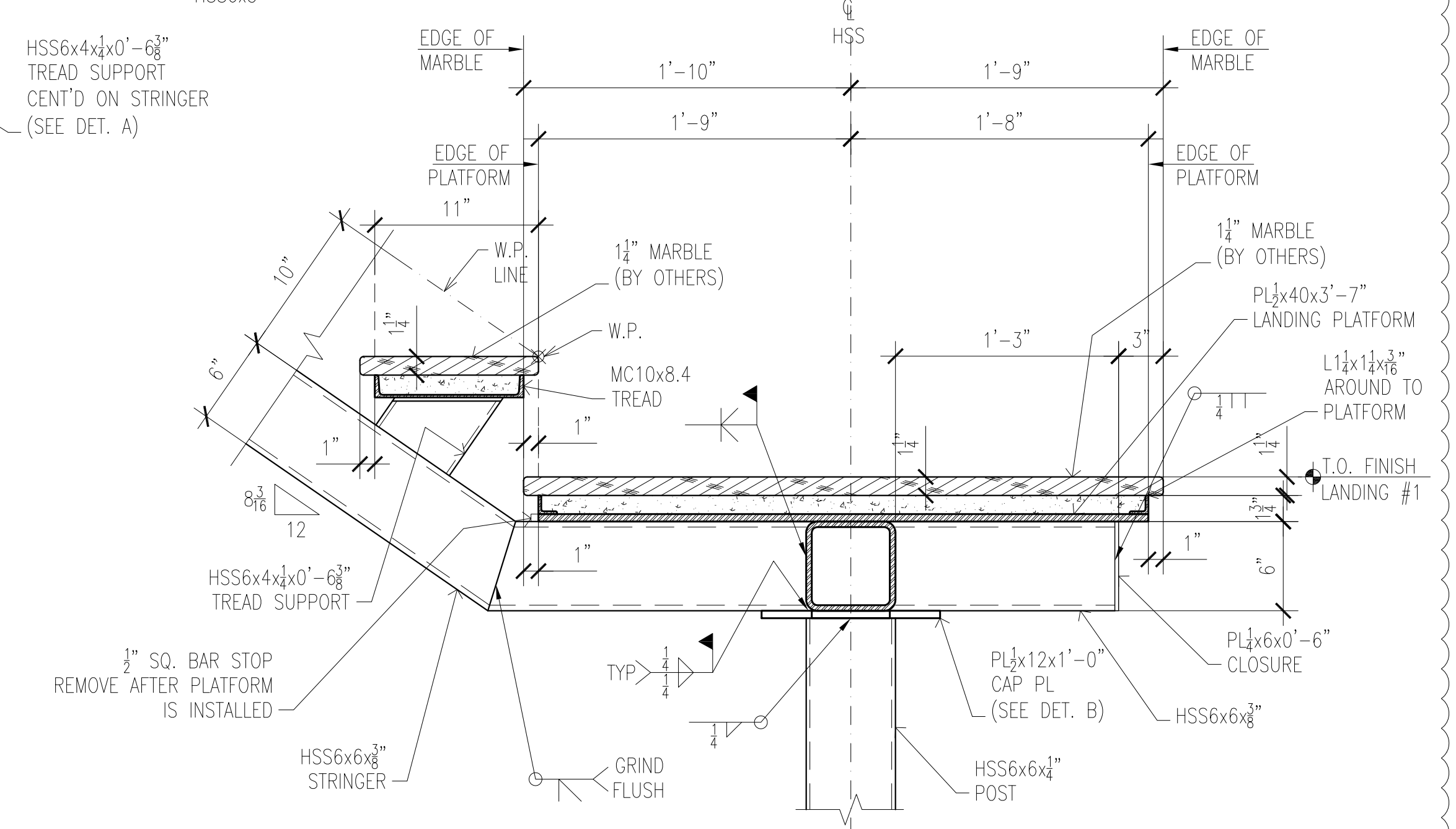
DETAIL B  
CAP PLATE DETAIL



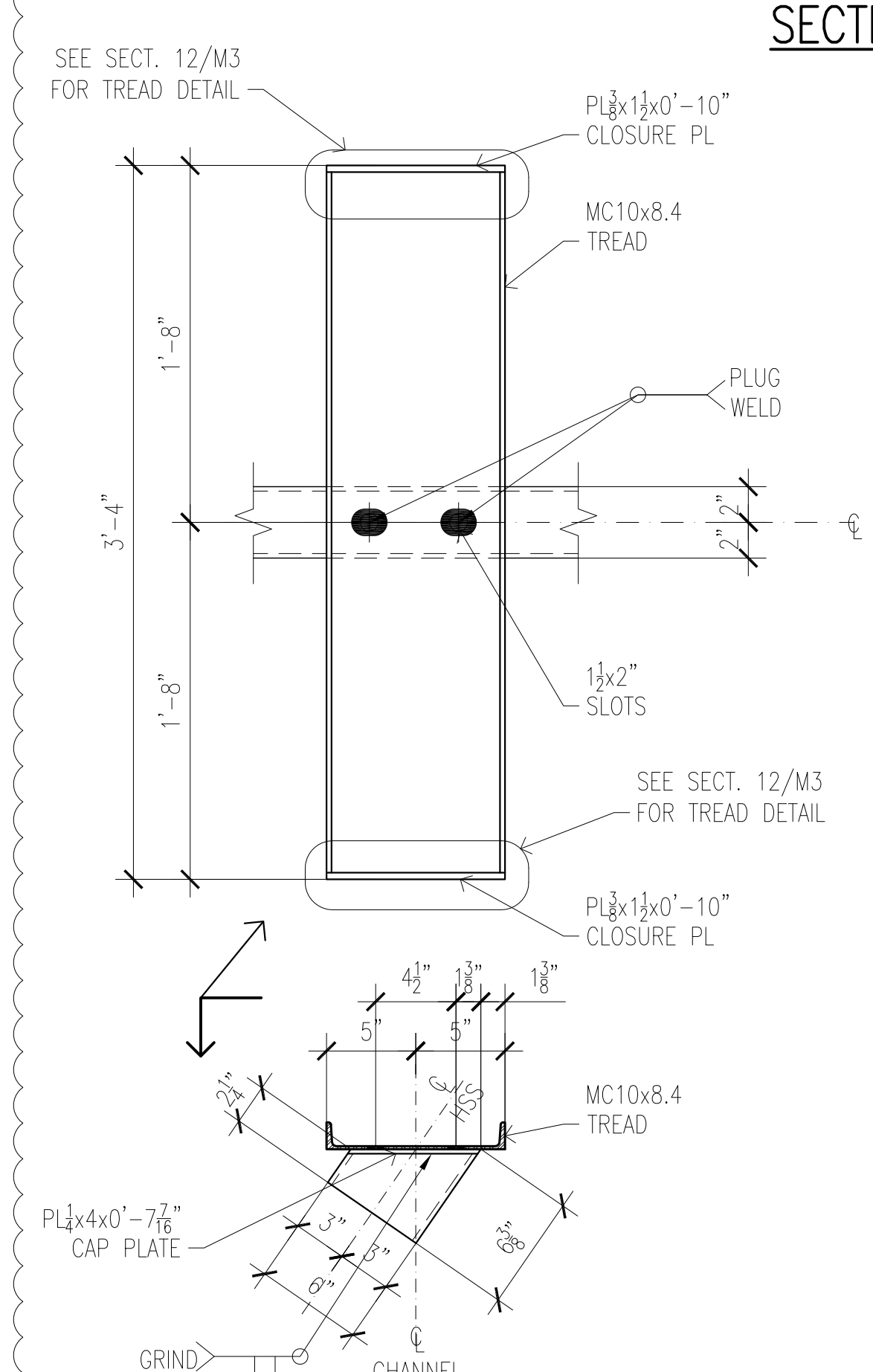
SECTION 3



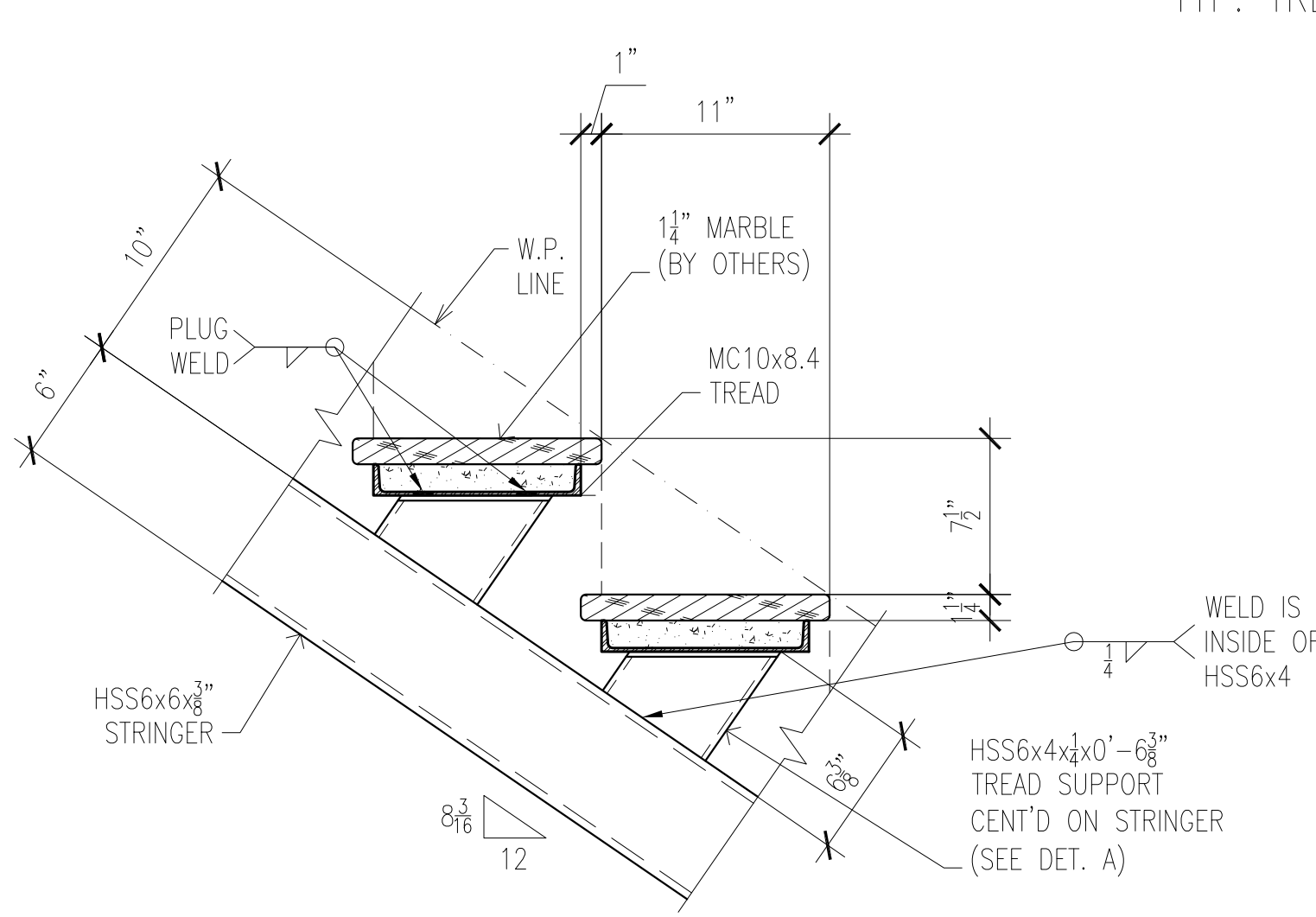
SECTION 5  
TYP. TREAD/RISER DETAIL



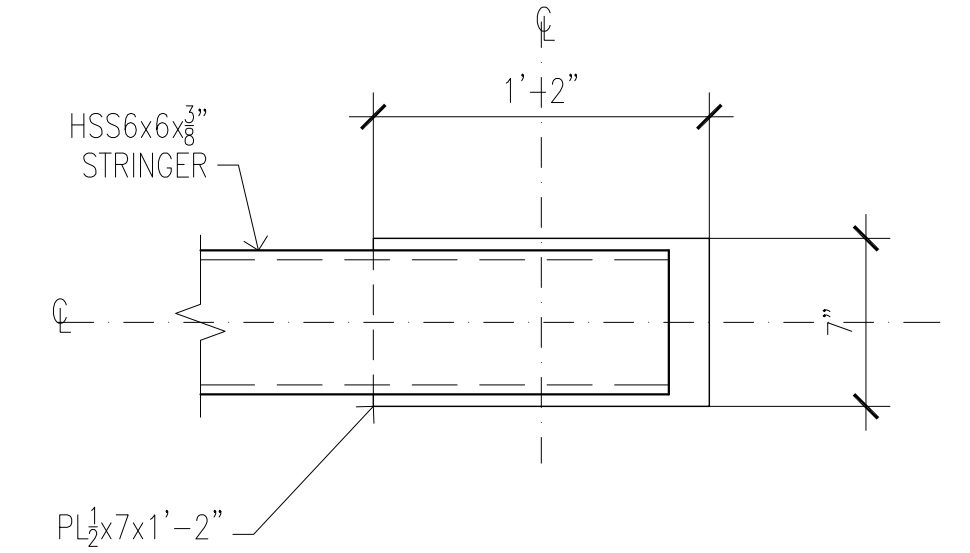
SECTION 4



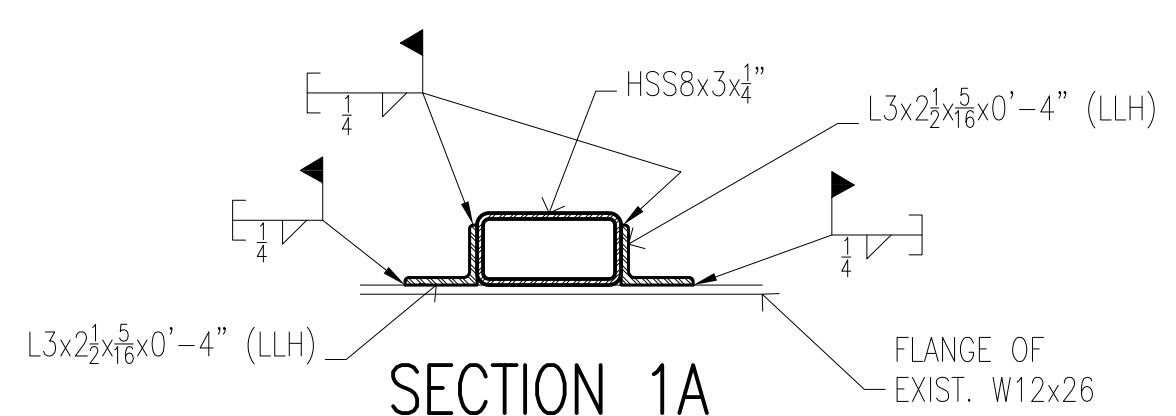
DETAIL A  
TYP. TREAD SUPPORT DET



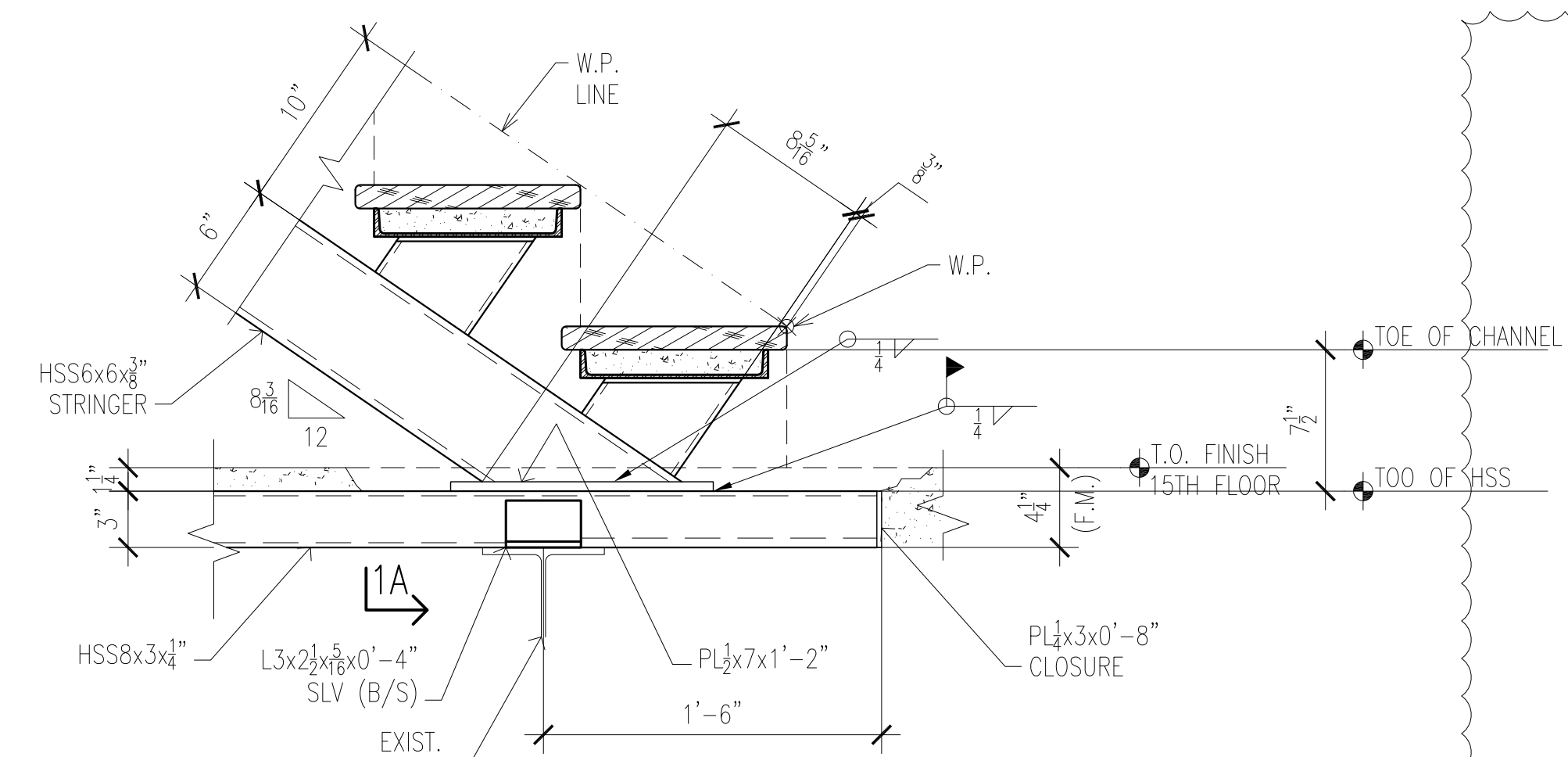
SECTION 2  
TYP. TREAD/RISER DETAIL



SECTION 1A



SECTION 1A

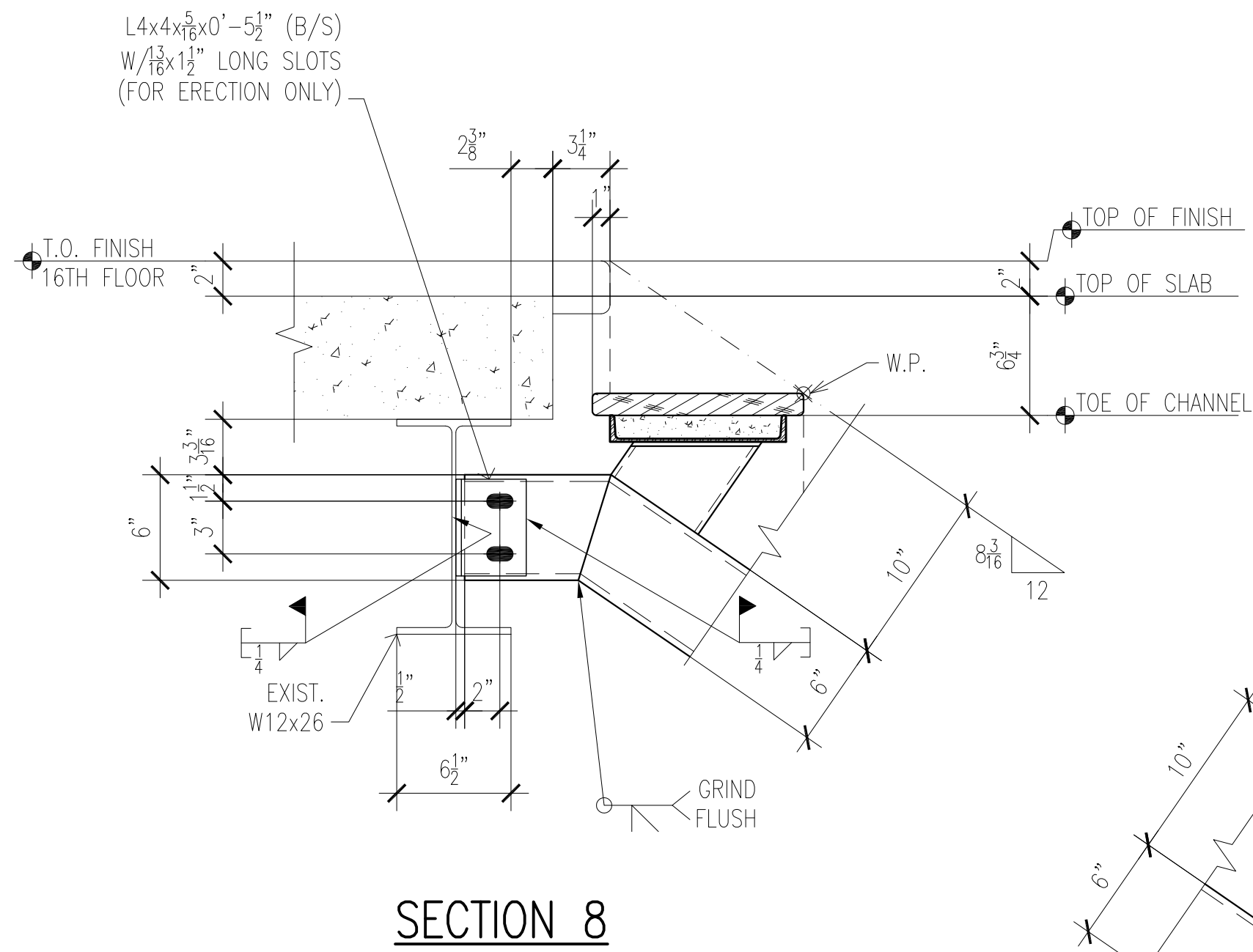


SECTION 1

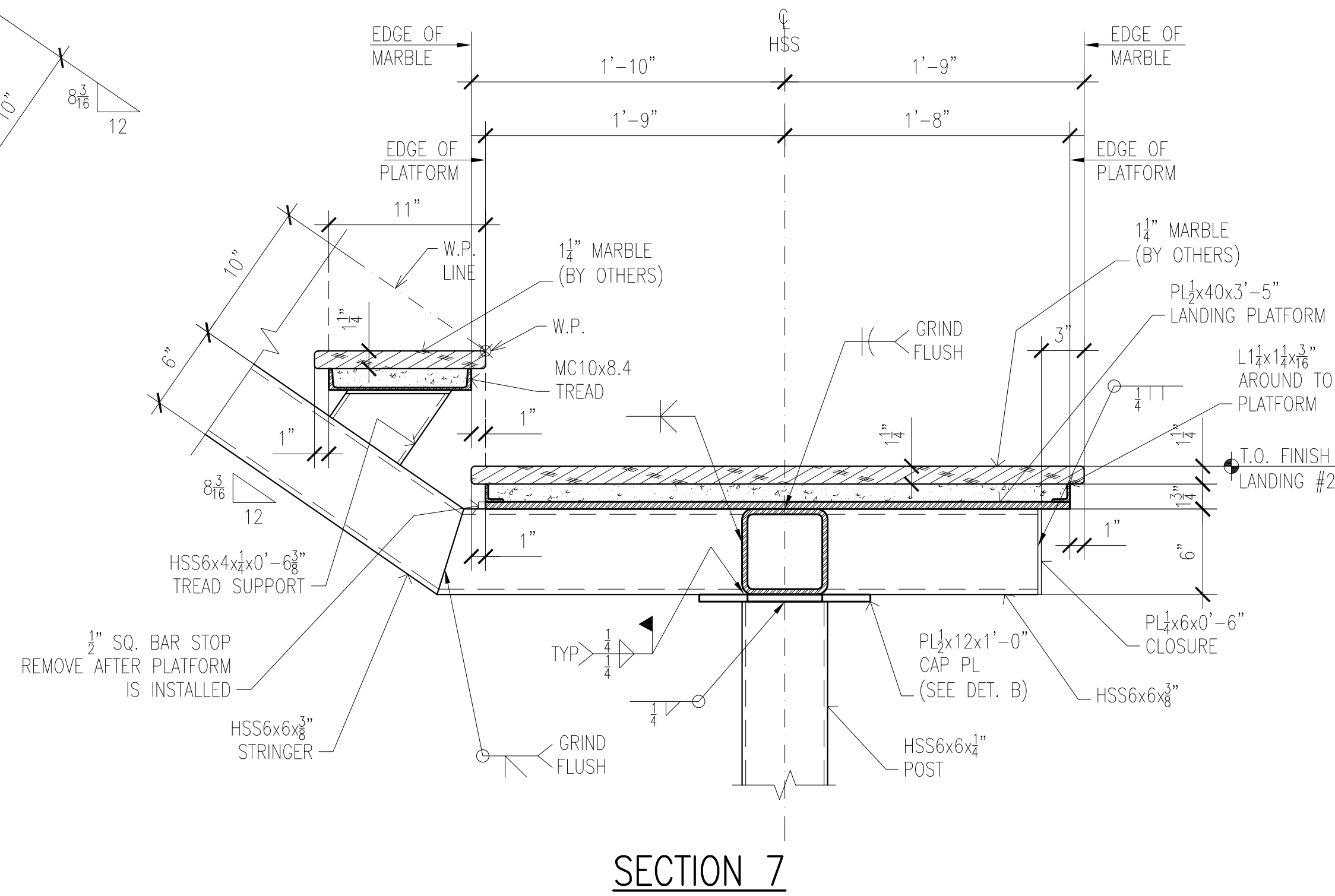
NOTE:  
GRIND WELDS SMOOTH  
FOR ALL MEMBERS

NOTES:  
MATERIAL: ALL STRUC. STEEL ASTM A-992,  
ALL PLATES, ANGLES, CHANNELS AND MISC. ASTM A-36  
HOLES: 1/8" (U.N.O.)  
BOLTS: 3/4" A325-SC (U.N.O.)  
WELD: E70XX (U.N.O.)  
PAINT: ONE COAT OF SHOP PRIMER

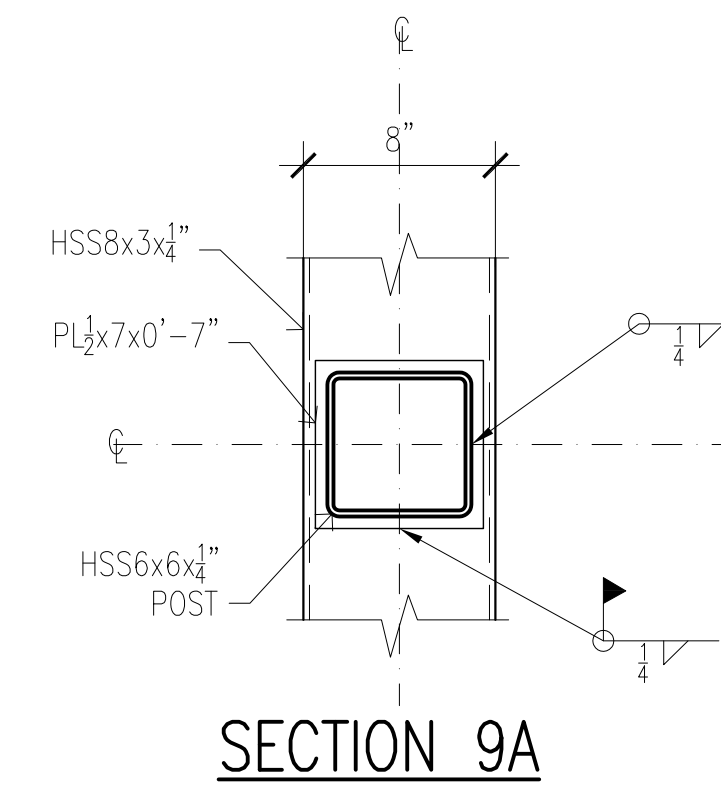
REVISIONS			PROJECT: <b>NORTHEASTERN STEEL INC.</b>
N°	DATE	REMARKS	
1	04/18/13	AS PER COMMENTS	TITLE: <b>MONOSTRINGER STAIR</b>
			ARCHITECT: STRUCT.
			CONTRACT
			DRAWING



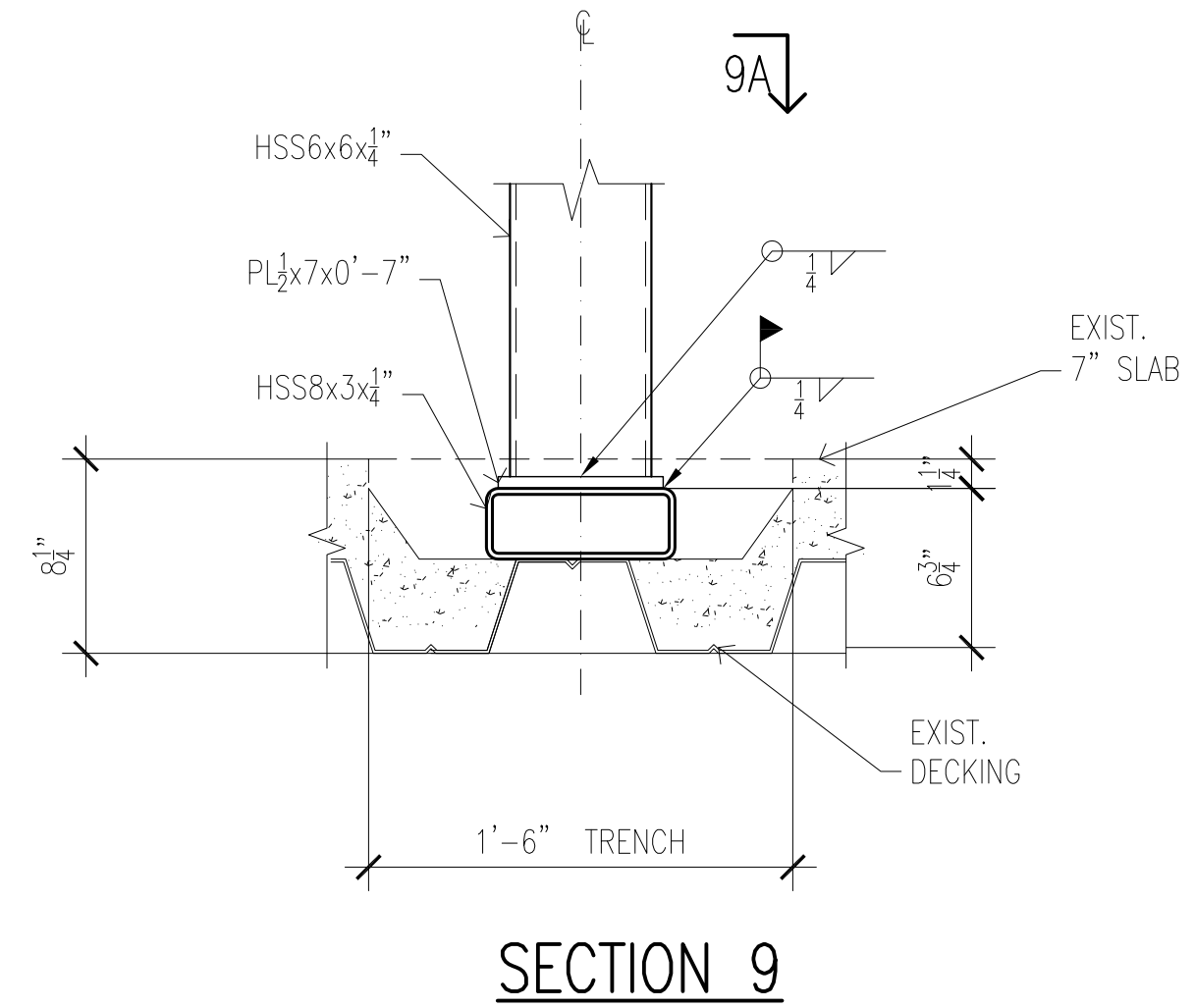
SECTION 8



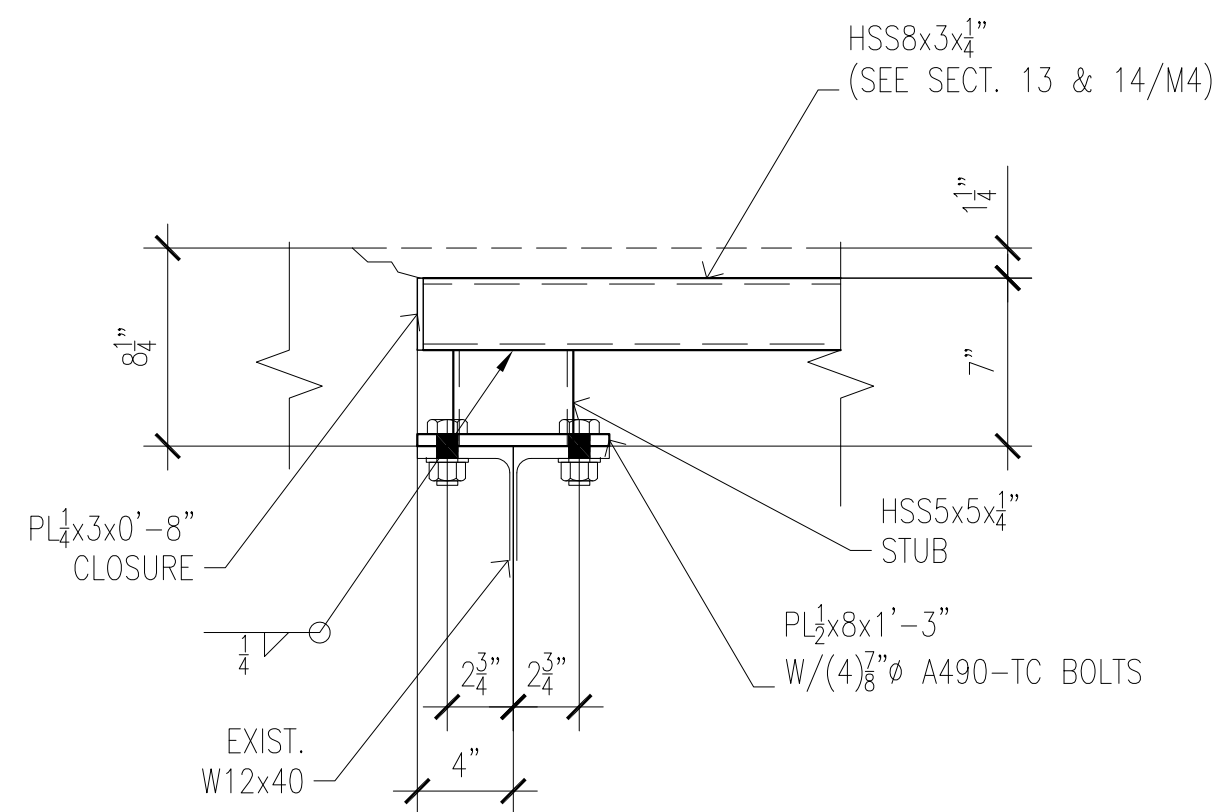
SECTION 7



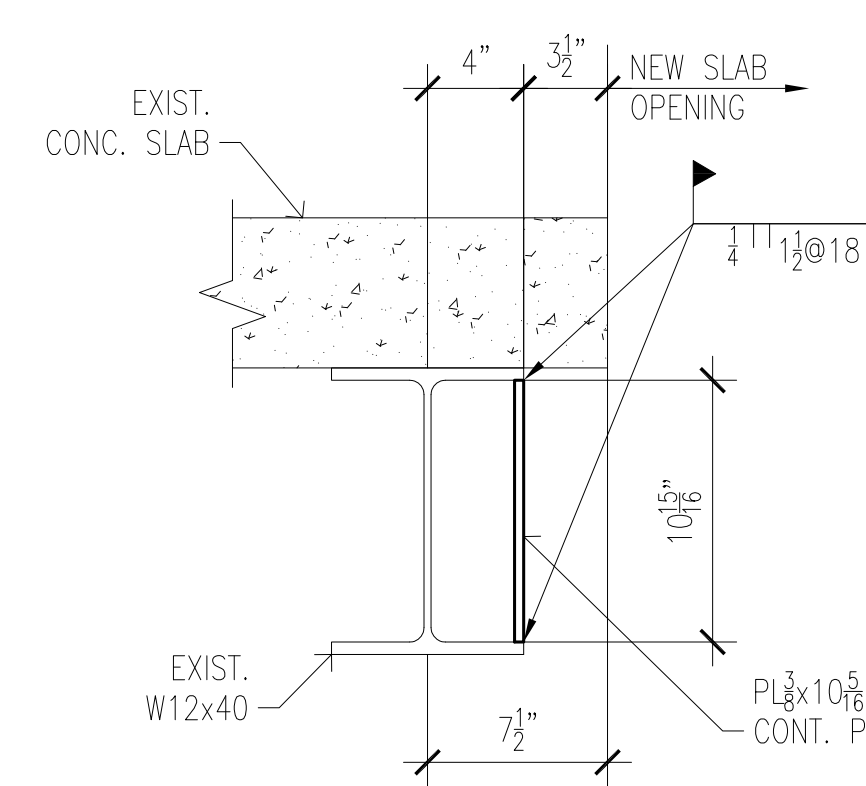
SECTION 9A



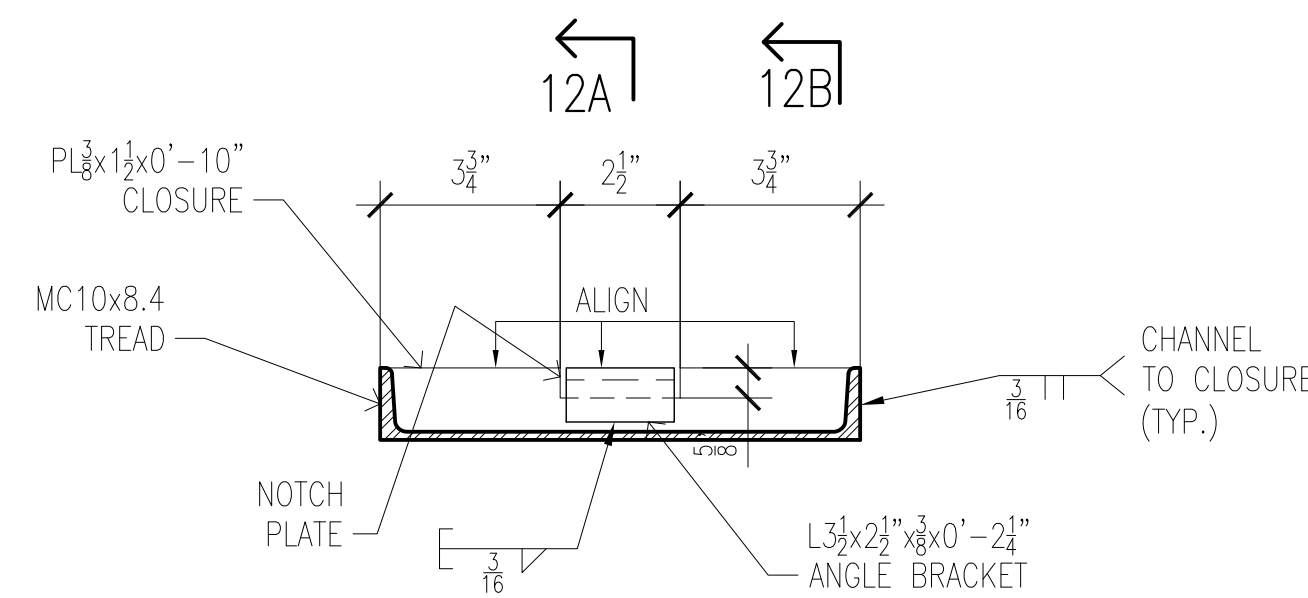
SECTION 9



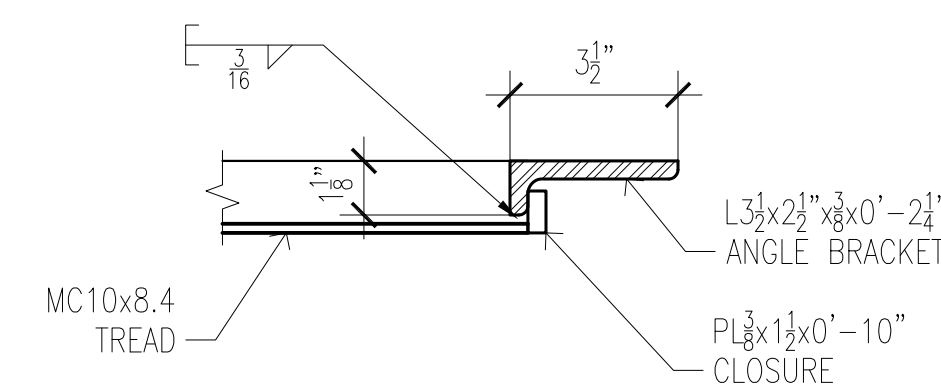
SECTION 10



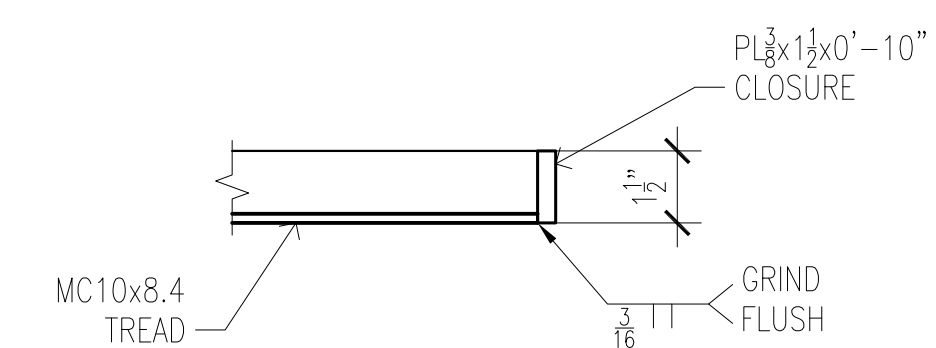
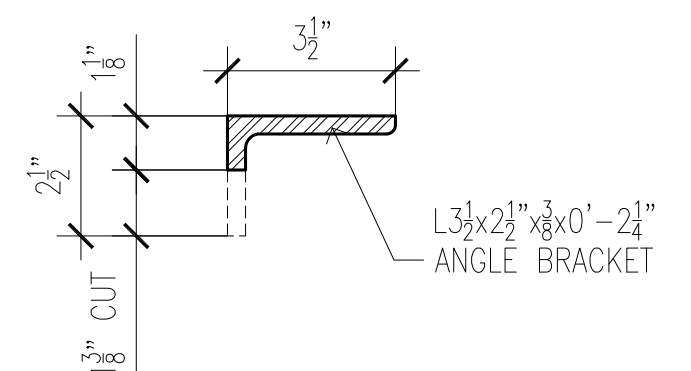
SECTION 11



SECTION 12



SECTION 12A



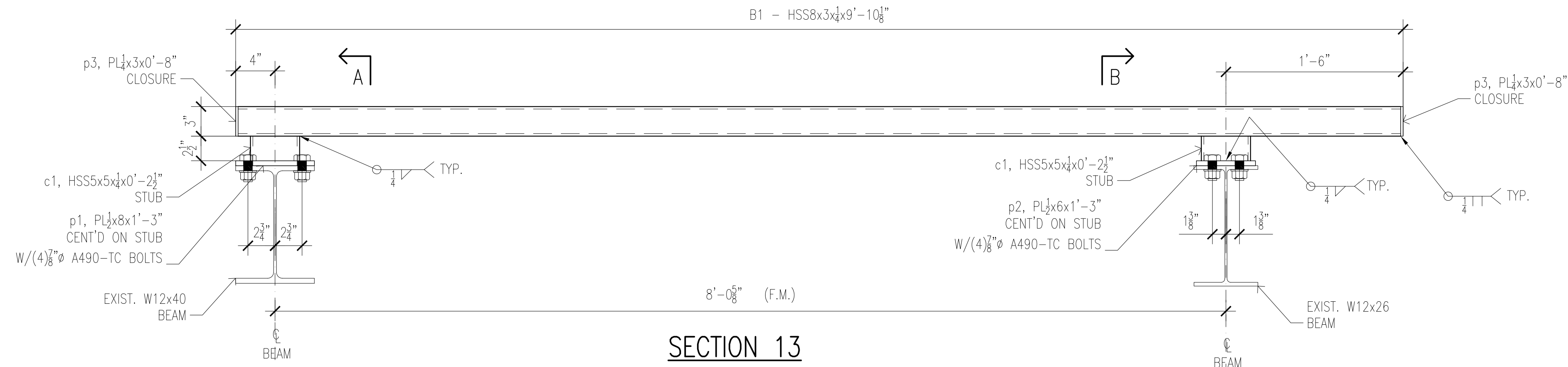
SECTION 12B

NOTES:  
 MATERIAL: ALL STRUC. STEEL ASTM A-992,  
 ALL PLATES, ANGLES, CHANNELS AND MISC. ASTM A-36  
 HOLES: 1/16" (U.N.O.)  
 BOLTS: 3/4" A325-SC (U.N.O.)  
 WELD: E70XX (U.N.O.)  
 PAINT: ONE COAT OF SHOP PRIMER

NOTE:  
 GRIND WELDS SMOOTH  
 FOR ALL MEMBERS

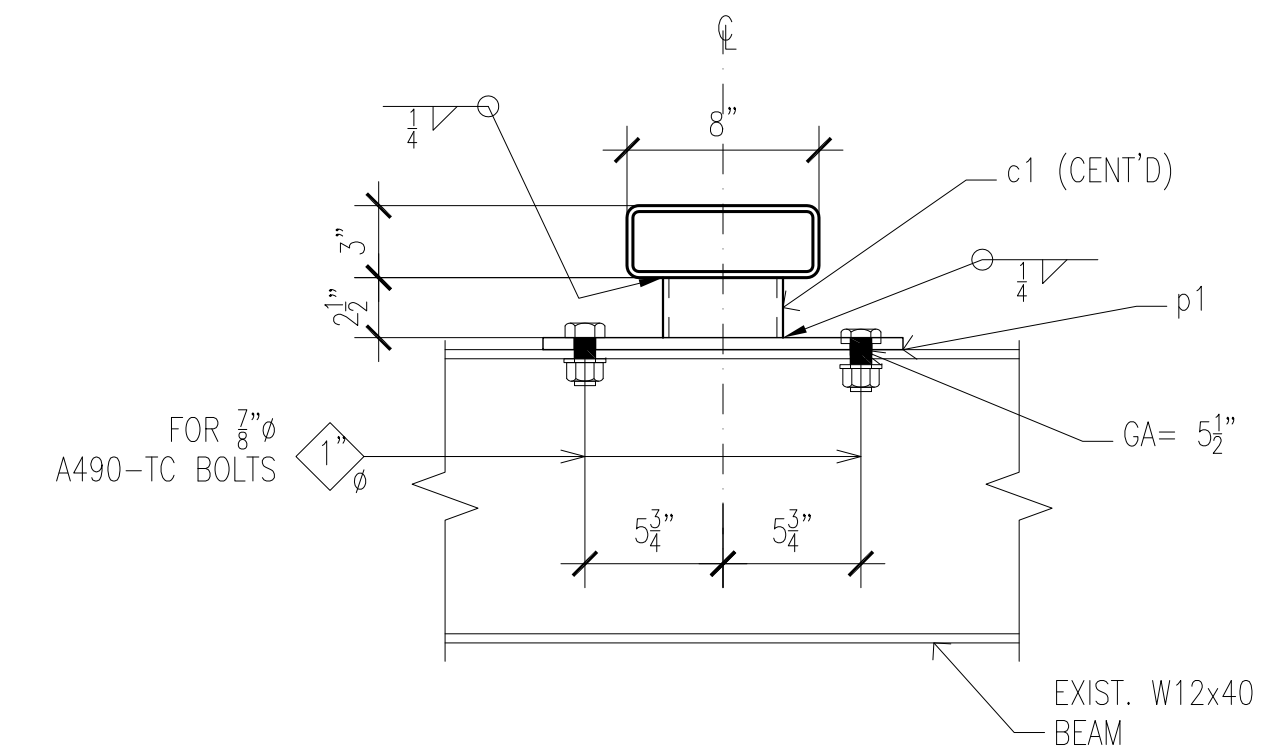
REVISIONS				NORTHEASTERN STEEL INC.			
N°	DATE	BY	REMARKS				
				PROJECT: MONOSTRINGER STAIR			
				TITLE: 15TH - 16TH FLOOR STAIR SECTIONS AND DETAILS			
				ARCHITECT: STRUCT.			
				DWG BY	DATE:	CONTRACT	DRAWING
				A.T.	04/18/2013		
				CHK'D BY	DATE:		
				L.A.	04/18/2013		M3

NEW DRAWING

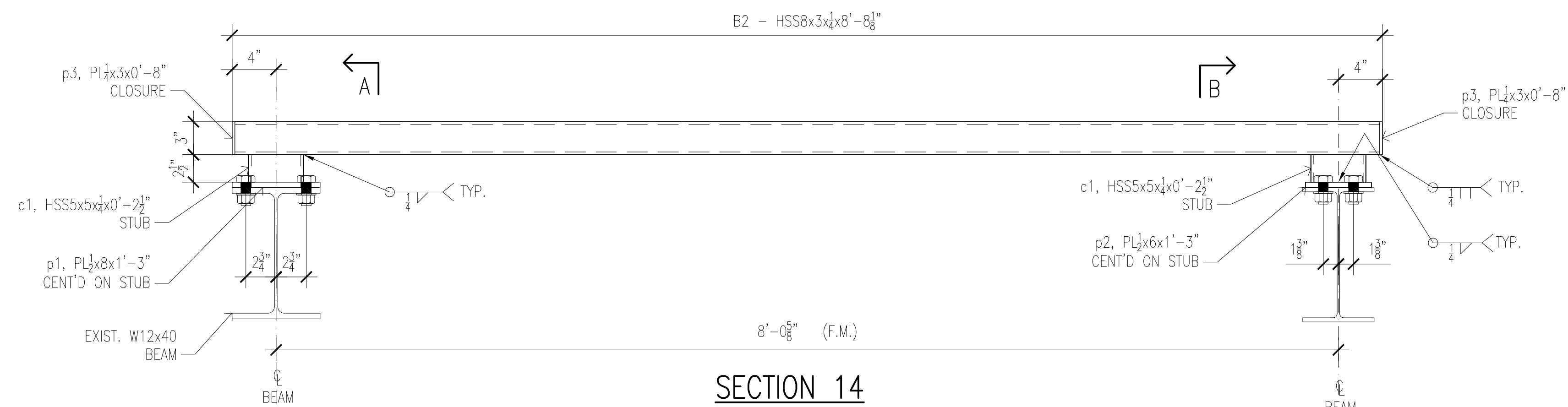


**SECTION 13**

DWG. REF.: SK-A

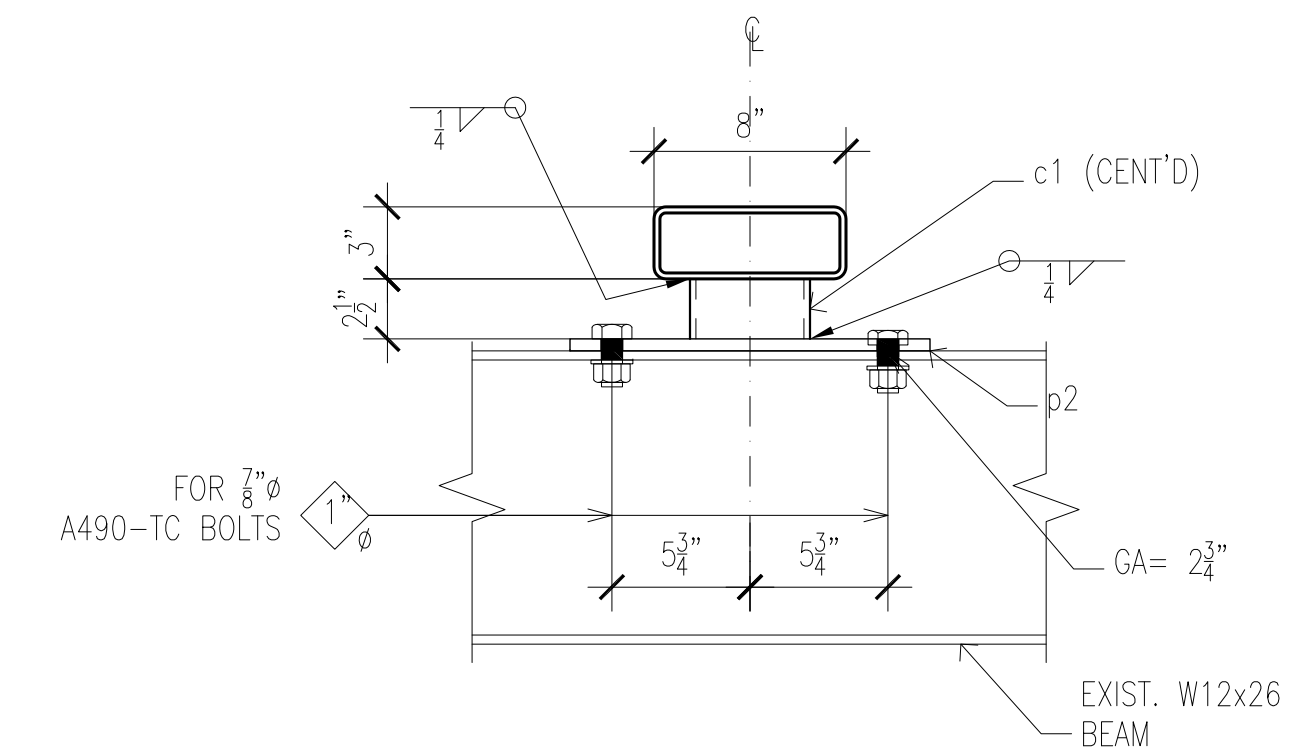


**SECTION A**



**SECTION 14**

DWG. REF.: SK-A



**SECTION B**

NOTES:  
 MATERIAL: ALL STRUC. STEEL ASTM A-992.  
 ALL PLATES, ANGLES, CHANNELS AND MISC. ASTM A-36  
 HOLES: 1 1/8" (U.N.O.)  
 BOLTS: 3/4" A325-SC (U.N.O.)  
 WELD: E70XX (U.N.O.)  
 PAINT: ONE COAT OF SHOP PRIMER

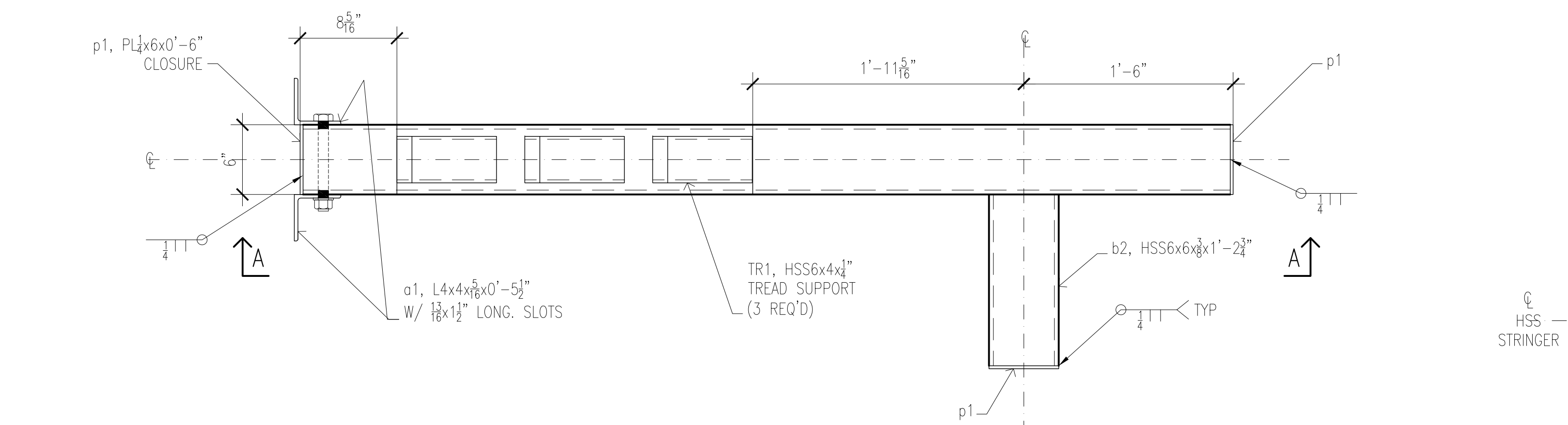
REVISIONS			NORTHEASTERN STEEL INC.			
N <sup>o</sup>	DATE	REMARKS				
			PROJECT:			
			MONOSTRINGER STAIR			
			TITLE:			
			15TH - 16TH FLOOR STAIR SECTIONS AND DETAILS			
			ARCHITECT:			
			STRUCT.			
			DWG BY	DATE:	CONTRACT	DRAWING
			A.T.	04/18/2013		
			CHK'D BY	DATE:		
			L.A.	04/18/2013		M4



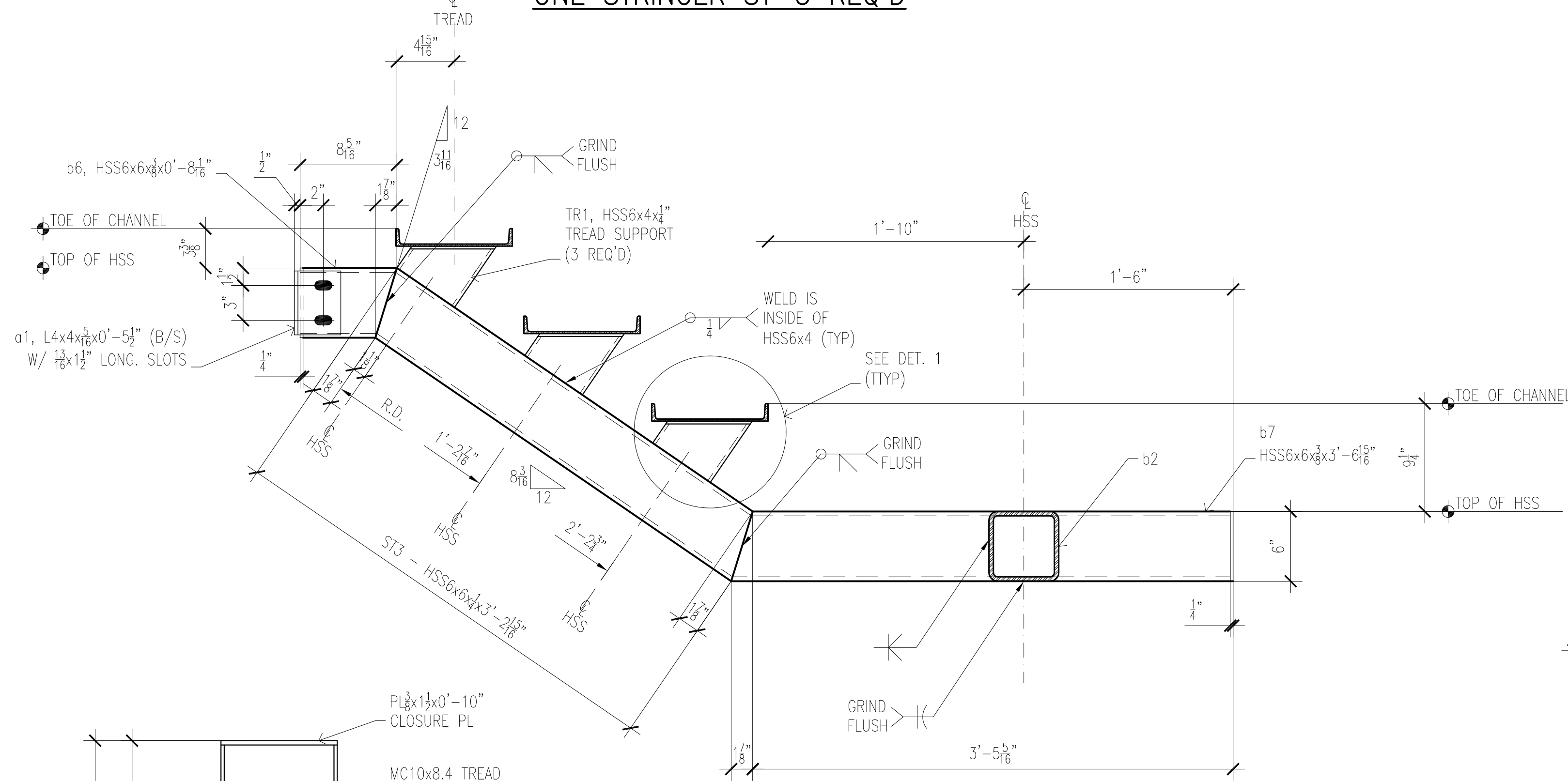




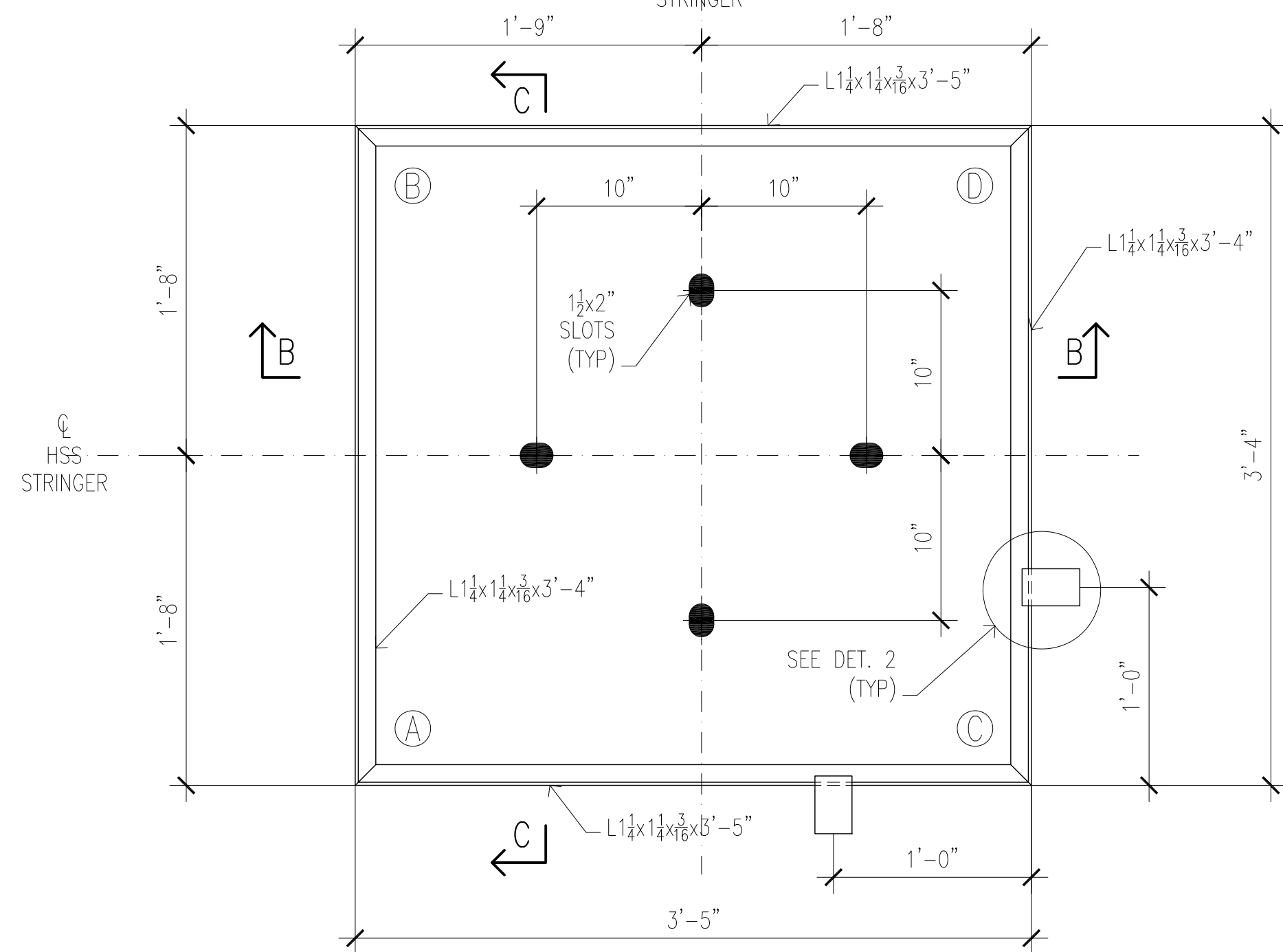
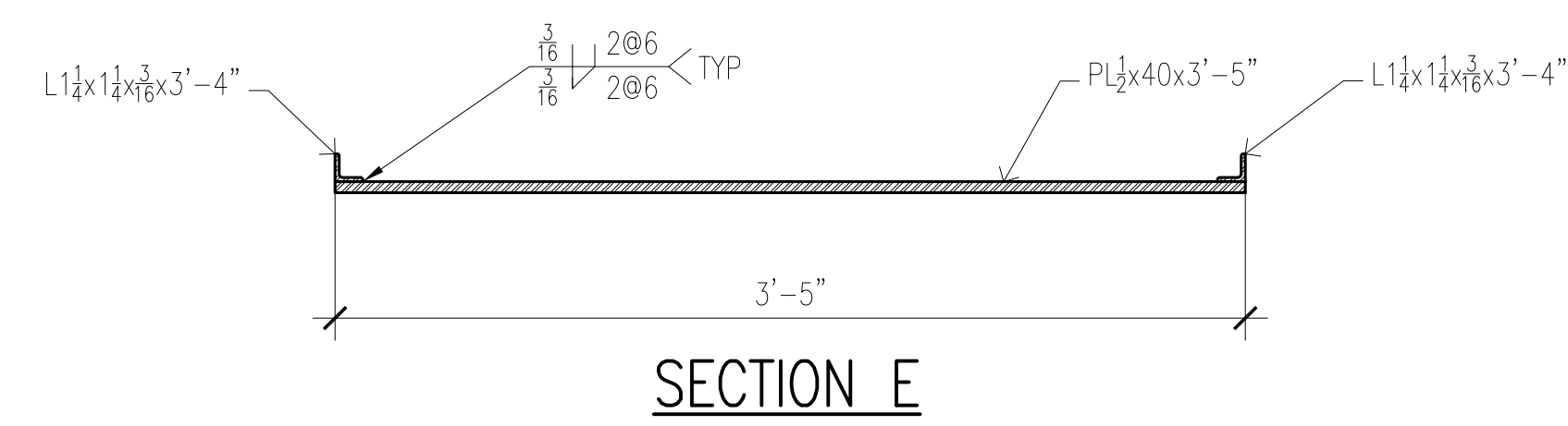
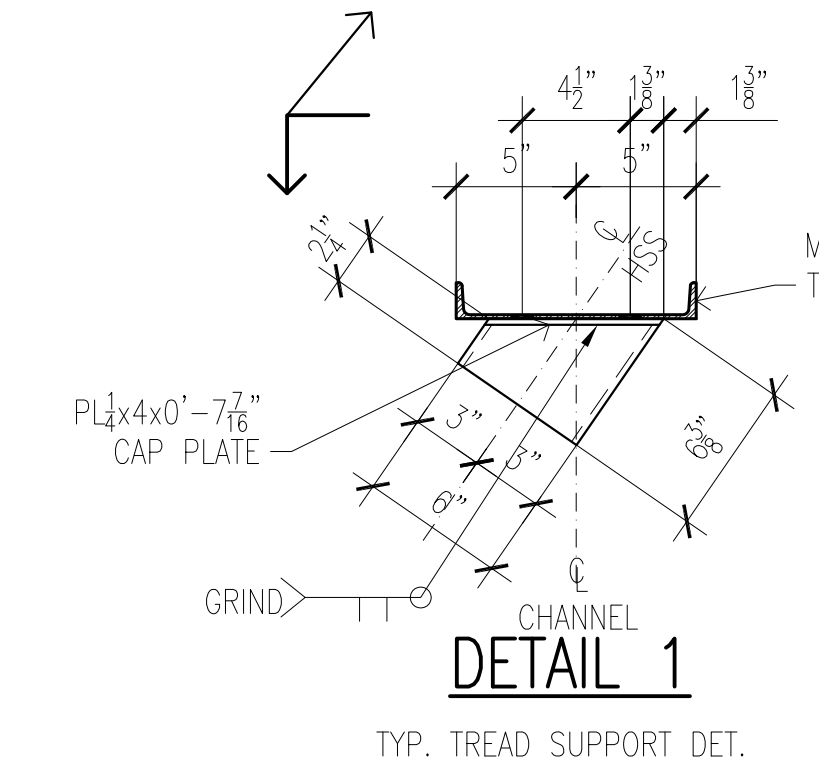
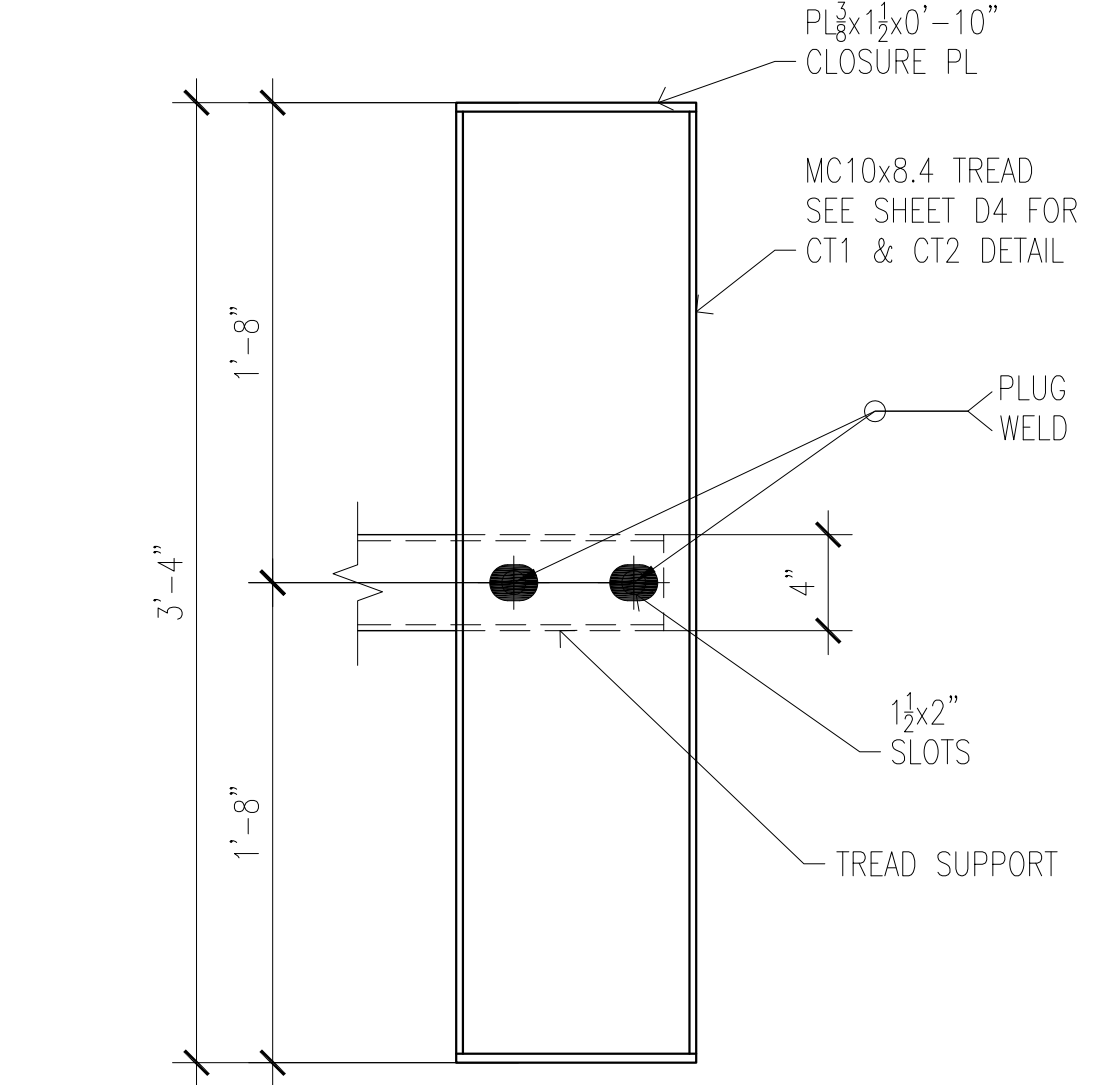
NEW DRAWING



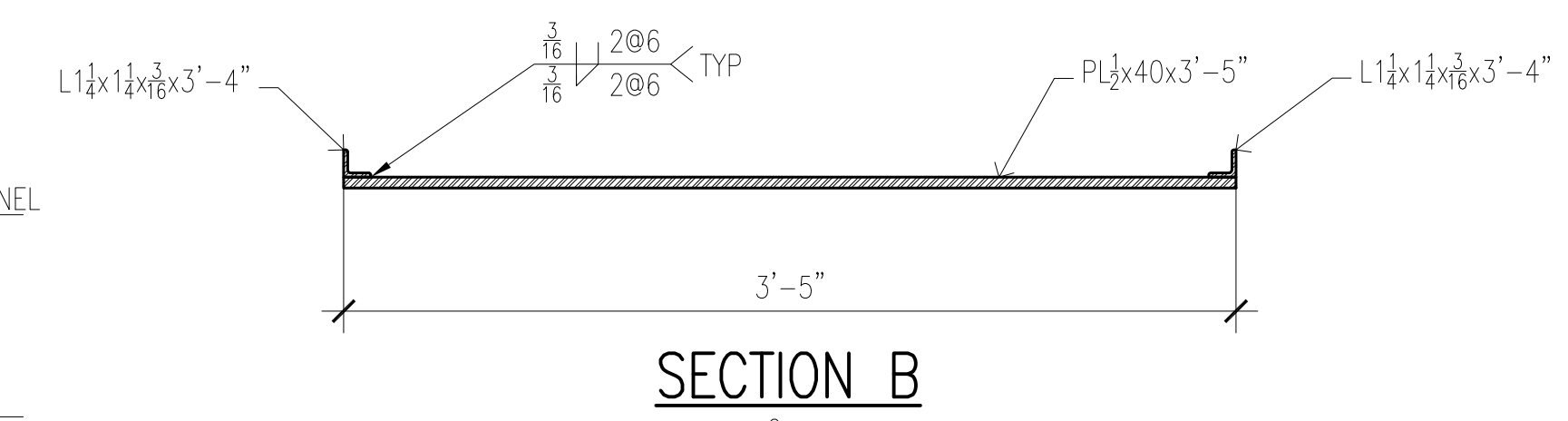
ONE STRINGER ST-3 REQ'D



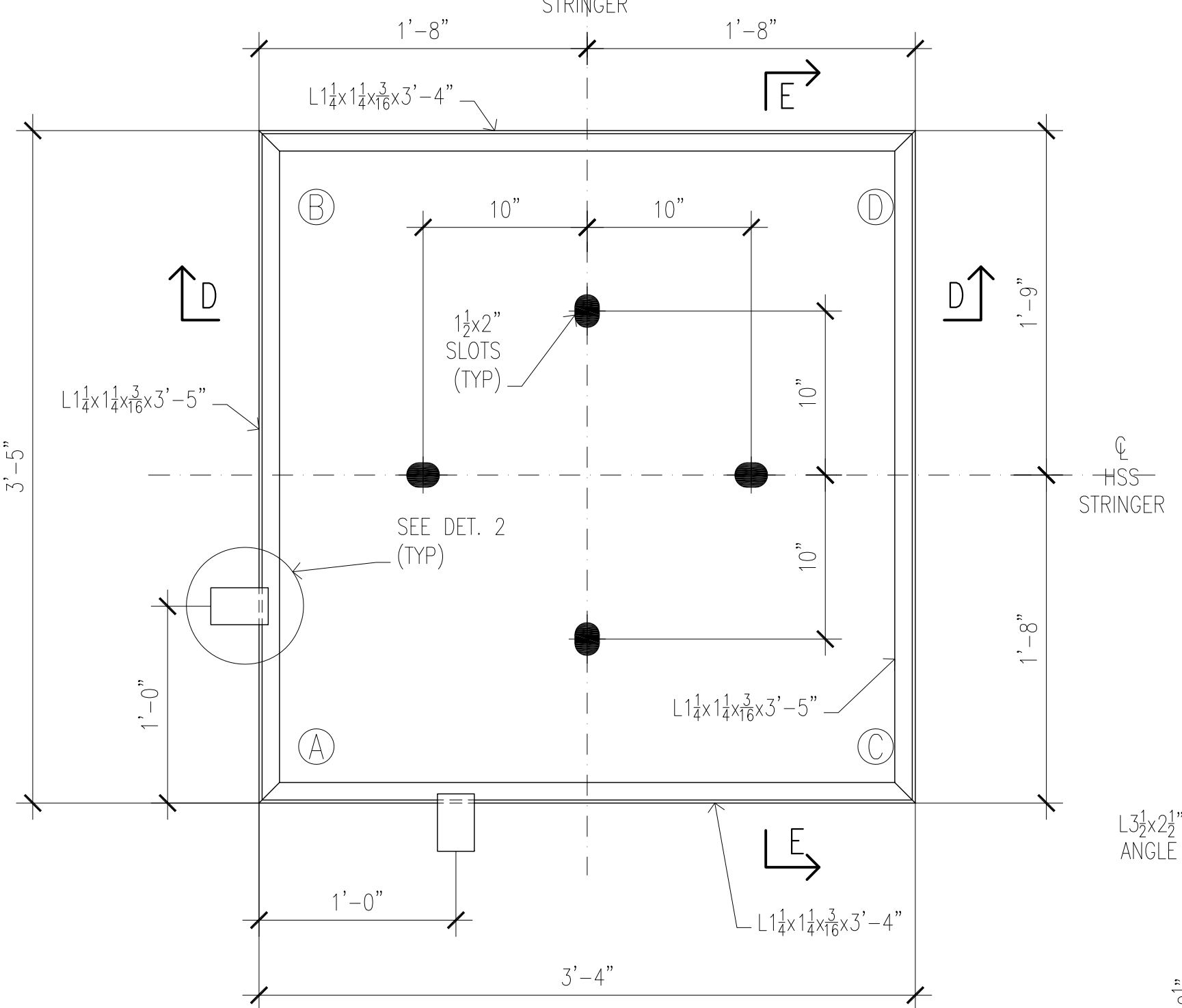
SECTION A



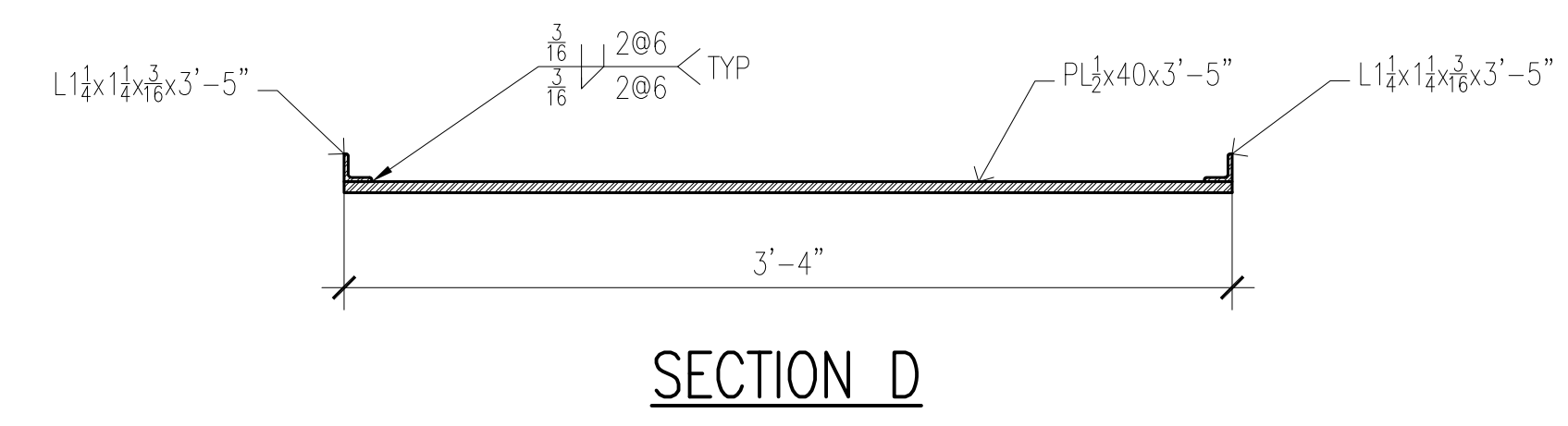
ONE PLATFORM PA1 REQ'D



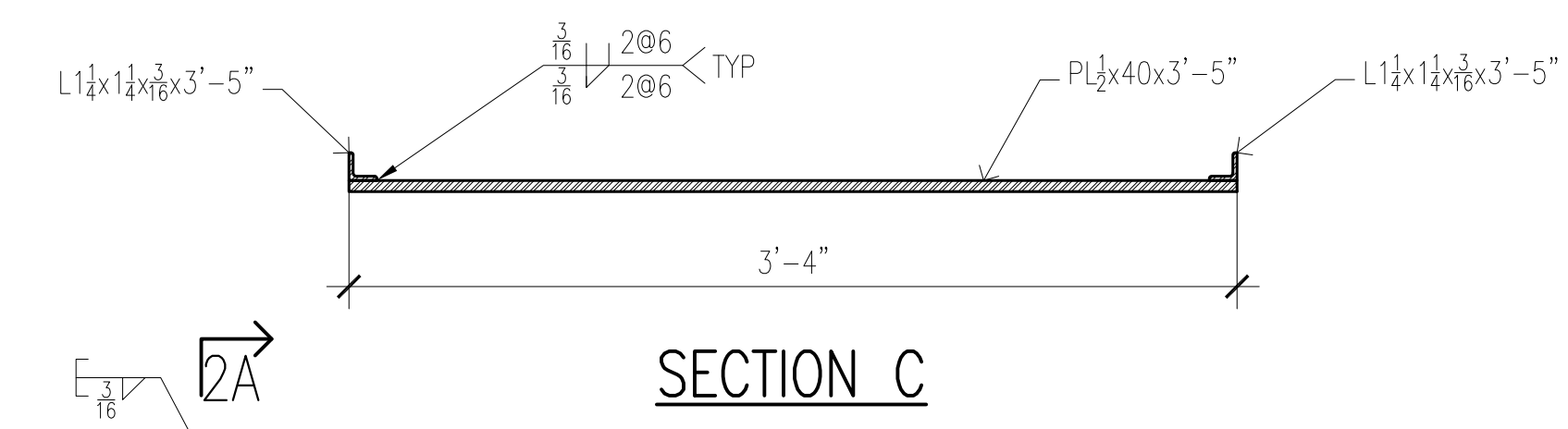
SECTION B



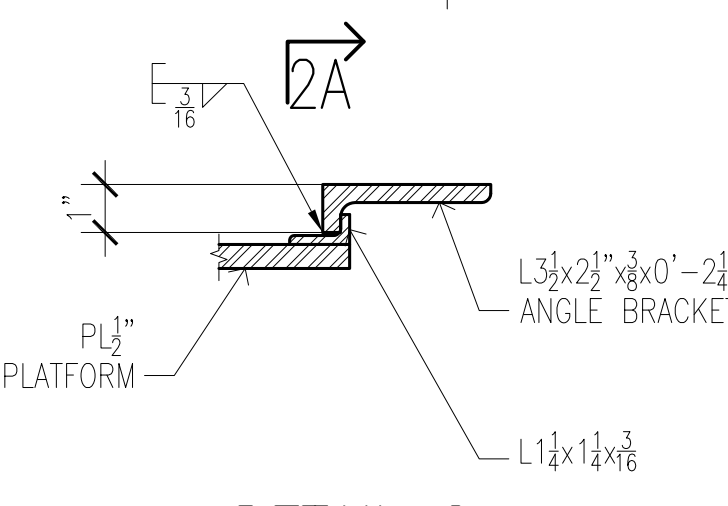
ONE PLATFORM PA2 REQ'D



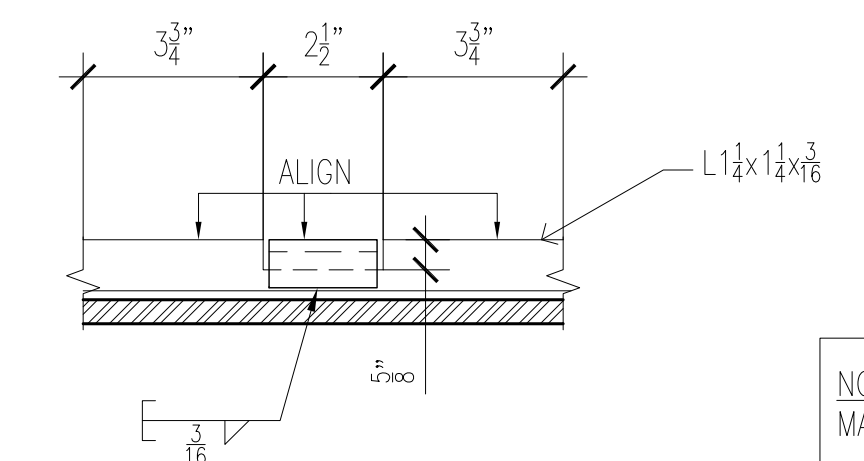
SECTION D



SECTION C



DETAIL 2



SECTION 2A

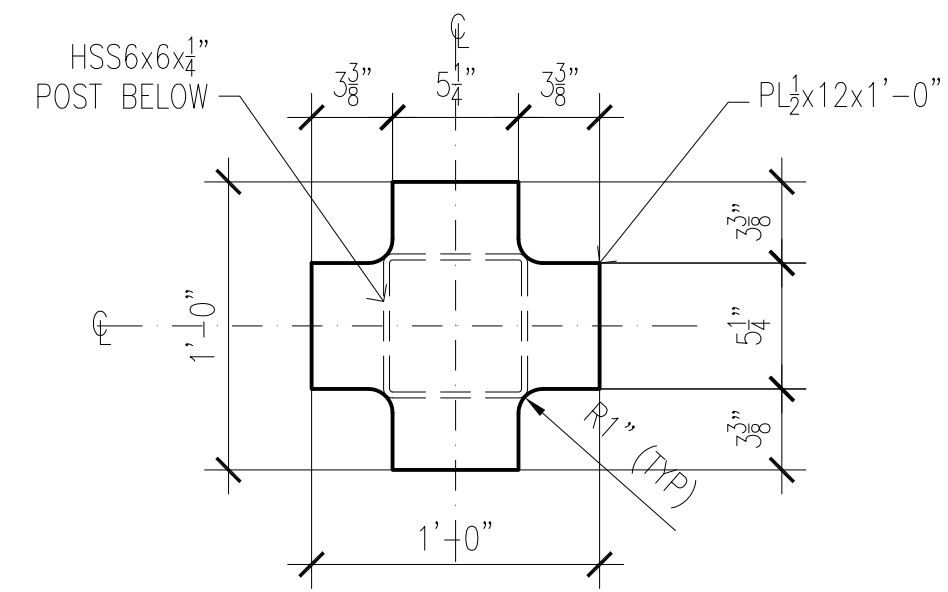
R.D. DENOTES RUNNING DIMENSIONS

NOTE: GRIND WELDS SMOOTH FOR ALL MEMBERS

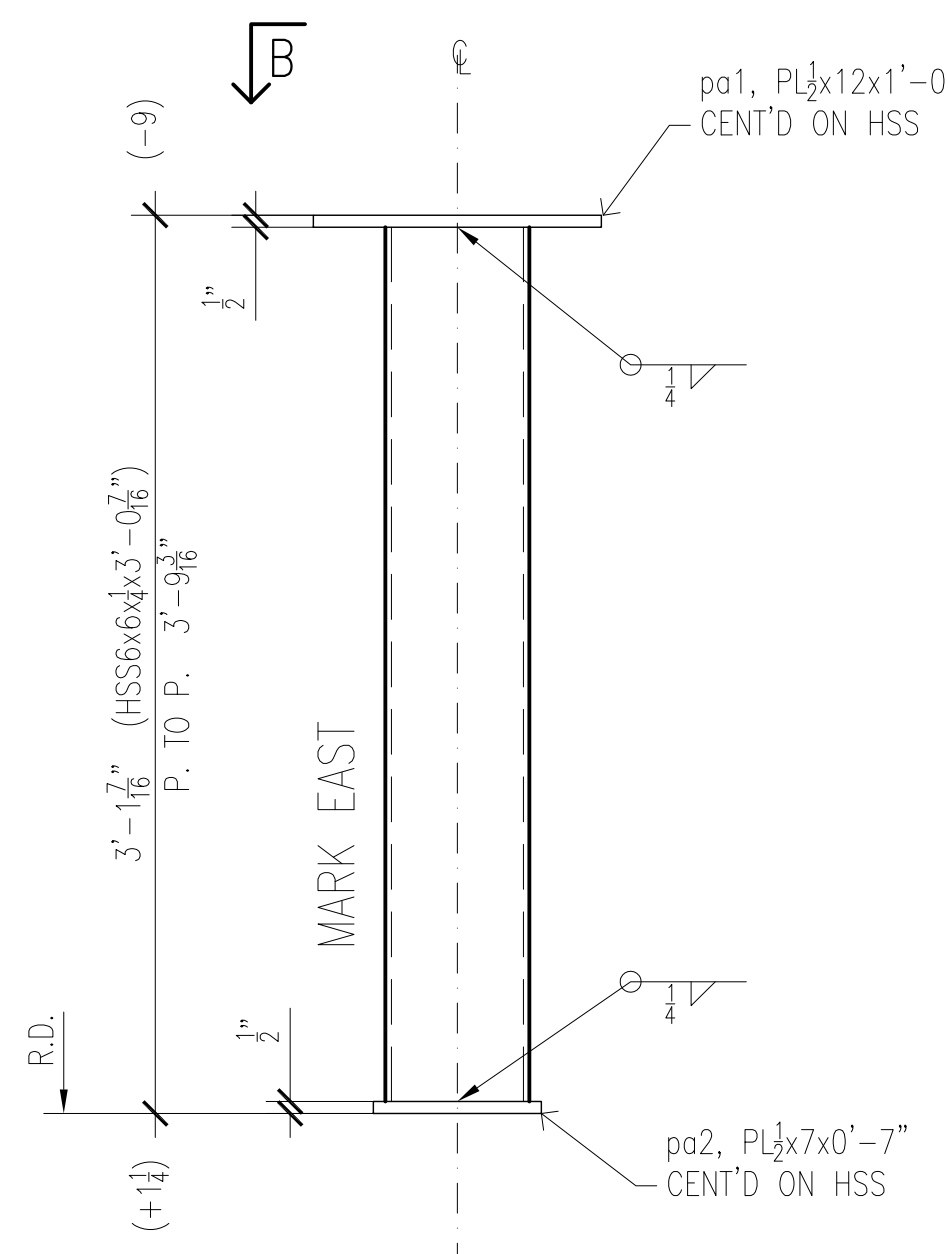
NOTES:  
 MATERIAL: ALL STRUC. STEEL ASTM A-992,  
 ALL PLATES, ANGLES, CHANNELS AND MISC. ASTM A-36  
 HOLES:  $\frac{1}{8}$ " (U.N.O.)  
 BOLTS:  $\frac{3}{4}$ " A325-SC (U.N.O.)  
 WELD: E70XX (U.N.O.)  
 PAINT: ONE COAT OF SHOP PRIMER

REVISIONS			NORTHEASTERN STEEL INC.			
N°	DATE	REMARKS				
			PROJECT: MONOSTRINGER STAIR			
			TITLE: 15TH - 16TH FLOOR STAIR STRINGERS DETAILS			
			ARCHITECT: STRUCT.			
			DWG BY A.T.	DATE: 05/01/2013	CONTRACT	DRAWING
			CHK'D BY L.A.	DATE: 05/01/2013		D3

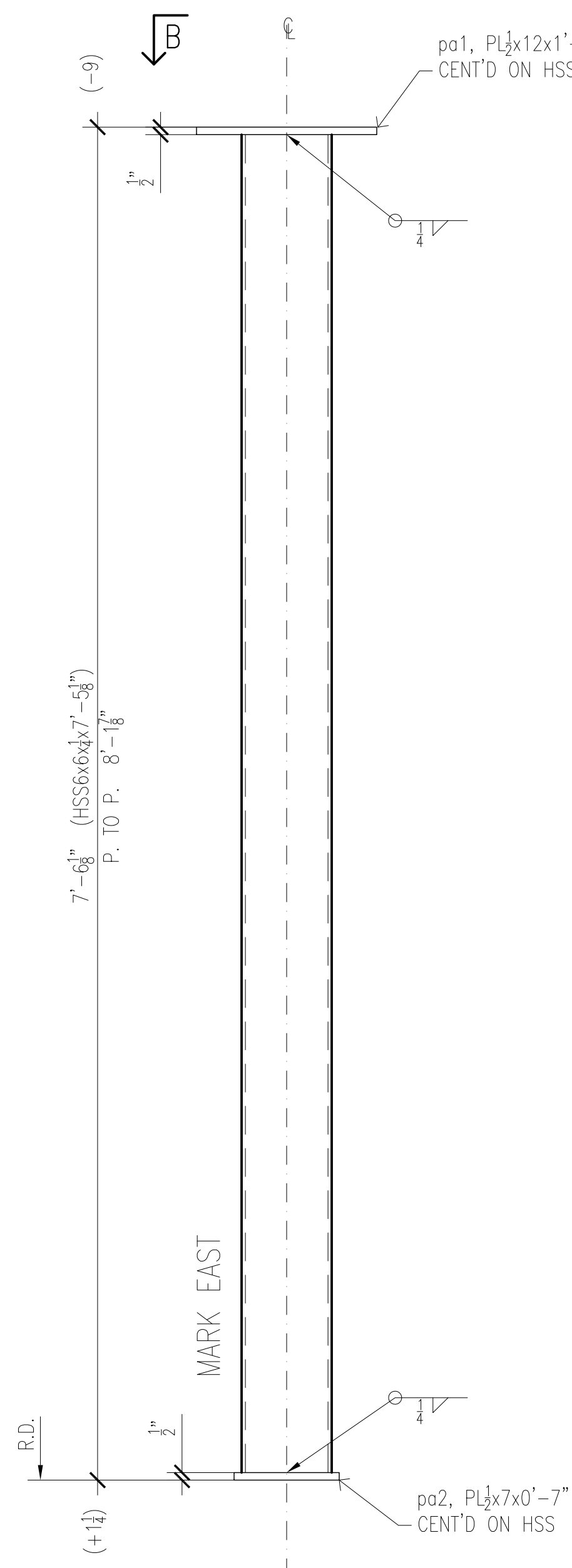
NEW DRAWING



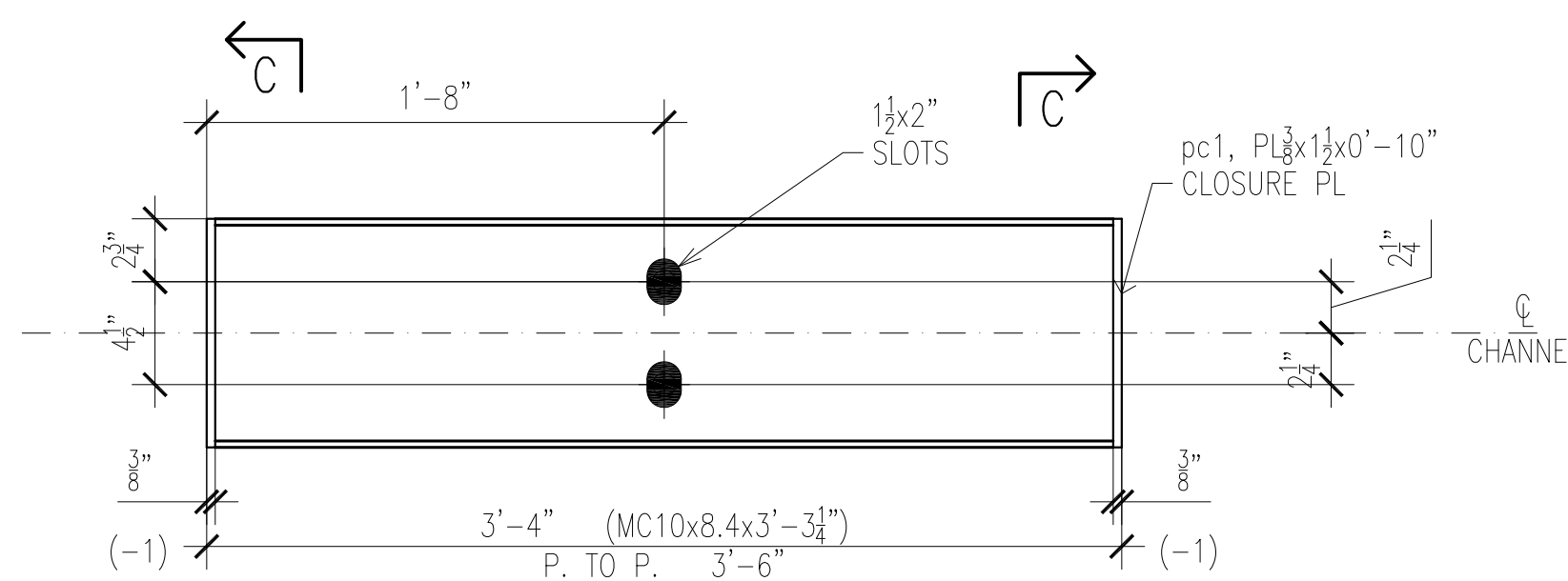
SECTION B



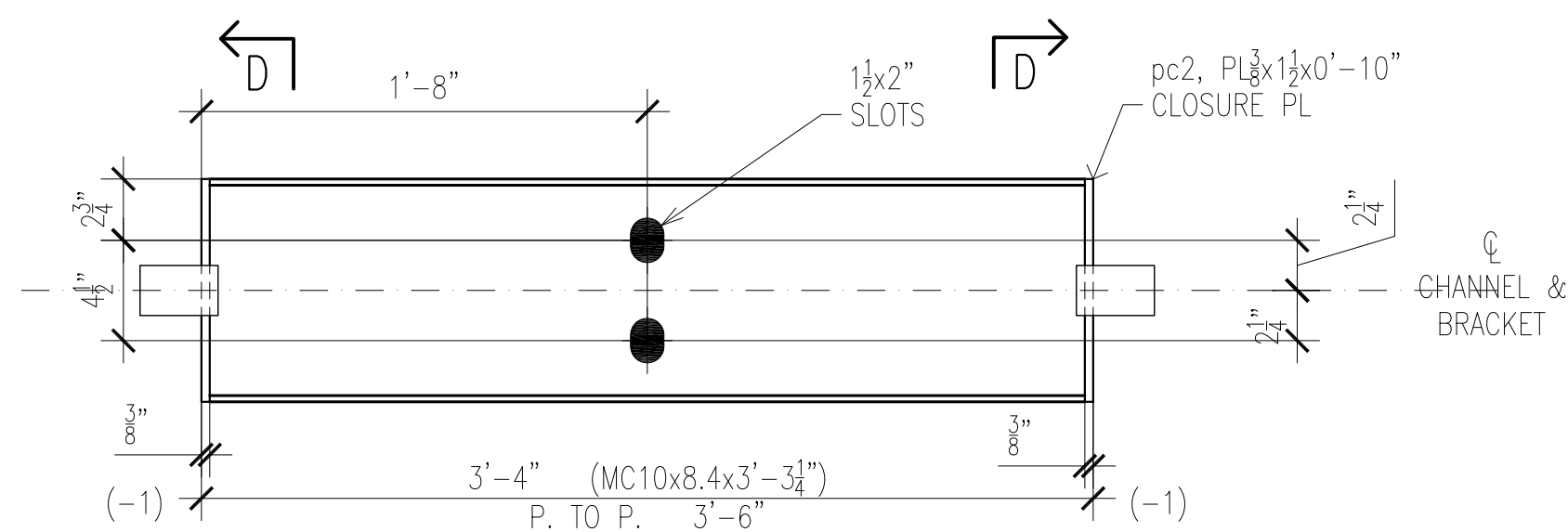
ONE POST P1 REQ'D



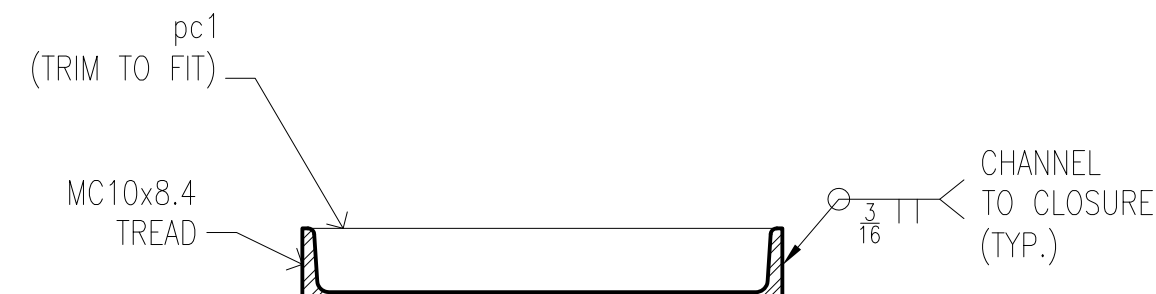
ONE POST P2 REQ'D



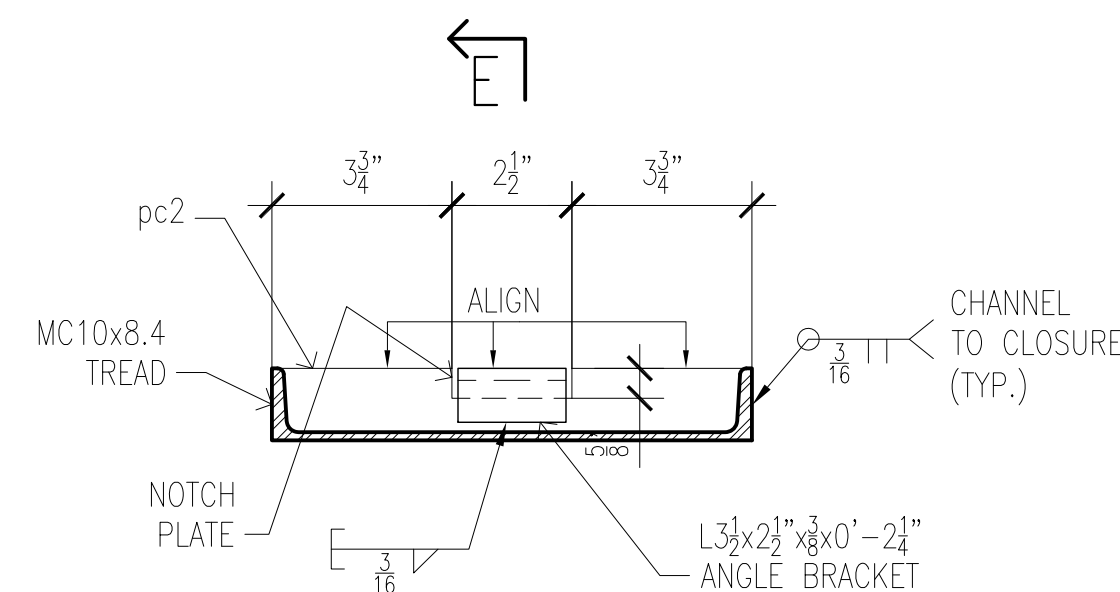
8 CHANNEL TREADS CT1 REQ'D



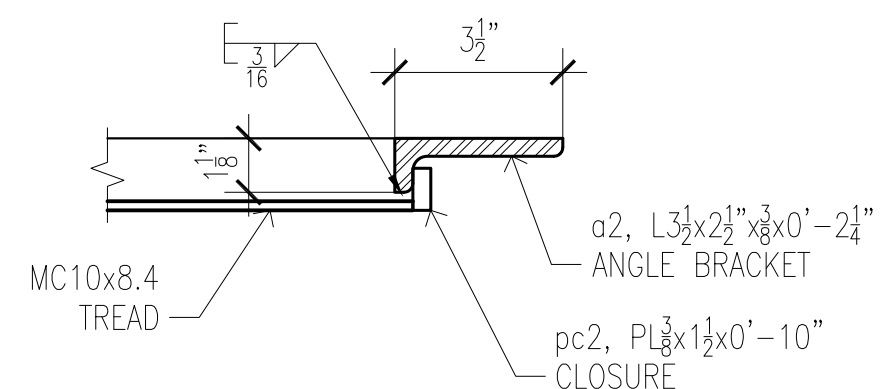
6 CHANNEL TREADS CT2 REQ'D



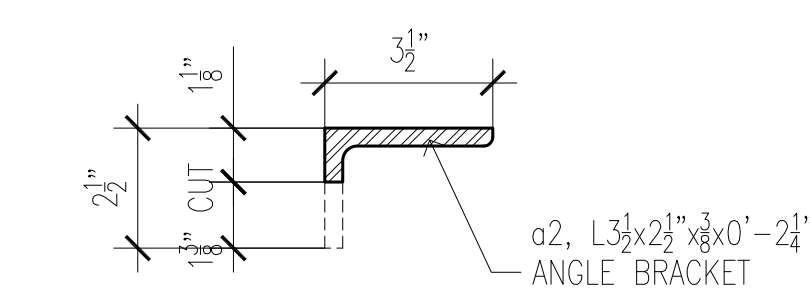
SECTION C



SECTION D



SECTION E



ANGLE BRACKET DETAIL

BILL OF MATERIAL							
Qty. Req'd	Ship Mark	Piece Mark	Description	Length		Total Weight	Remarks
				Ft.	In.		
1	P1		POST				
1		P1	HSS6x6x1/4	3	0 7/8		CAP PL
1		pa1	PL1/2x12	1	0		BASE PL
1		pa2	PL1/2x7	0	7		
1	P2		BEAM				
1		P2	HSS6x6x1/4	7	5 1/8		
1		pa1	PL1/2x12	1	0		CAP PL
1		pa2	PL1/2x7	0	7		BASE PL
8	CT1		CHANNEL TREAD				
8		CT1	MC10x8.4	3	3 1/4		
16		pc1	PL1/2x1 1/2	0	10		CLOSURE TRIM TO FIT
6	CT2		CHANNEL TREAD				
6		CT2	MC10x8.4	3	3 1/4		
12		pc2	PL1/2x1 1/2	0	10		CLOSURE
12		a2	L3/2x2 1/2x3/8	0	2 1/4		BRACKET

R.D. DENOTES RUNNING DIMENSIONS

NOTE:  
GRIND WELDS SMOOTH  
FOR ALL MEMBERS

NOTES:  
MATERIAL: ALL STRUC. STEEL ASTM A-992.  
ALL PLATES, ANGLES, CHANNELS AND MISC. ASTM A-36  
HOLES: 1 3/8" Ø (U.N.O.)  
BOLTS: 3/4" Ø A325-SC (U.N.O.)  
WELD: E70XX (U.N.O.)  
PAINT: ONE COAT OF SHOP PRIMER

REVISIONS				NORTHEASTERN STEEL INC.			
N°	DATE	REMARKS					
				PROJECT: <b>MONOSTRINGER STAIR</b>			
				TITLE: 15TH - 16TH FLOOR STAIR STRINGERS DETAILS			
				ARCHITECT: STRUCT.			
				DWG BY A.T.	DATE: 05/01/2013	CONTRACT	DRAWING
				CHK'D BY L.A.	DATE: 05/01/2013		D4