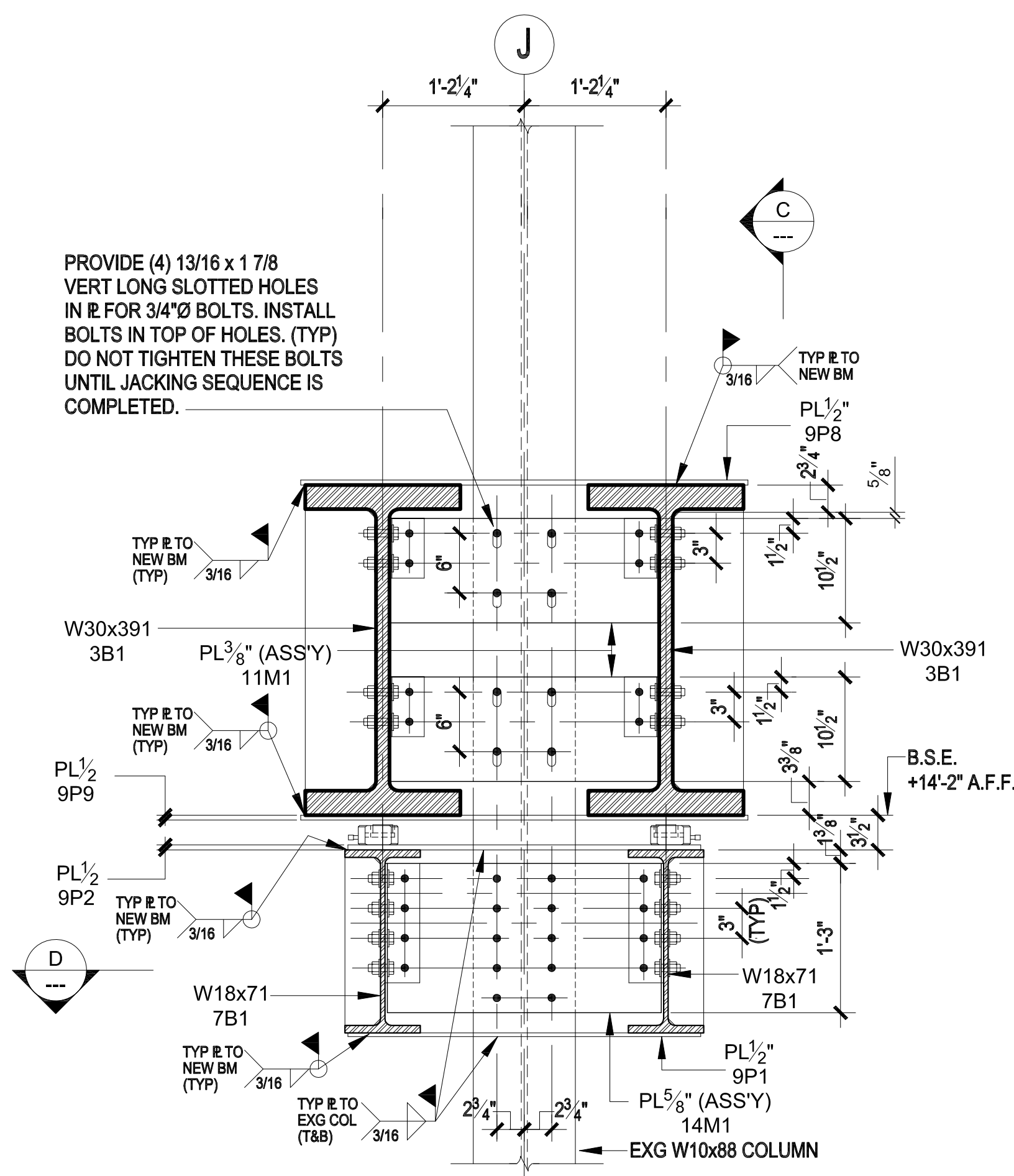


NOTES:  
 MATERIAL: ALL STRUC. STEEL ASTM A-992,  
 PLATES, ANGLES, & MISC. ASTM A-36  
 HOLES: 13/16"Ø (U.N.O.)  
 BOLTS: 3/4"Ø ASTM A325 N (U.N.O.)  
 WELD: E70XX (U.N.O.)  
 PAINT: ONE COAT OF SHOP PRIMER

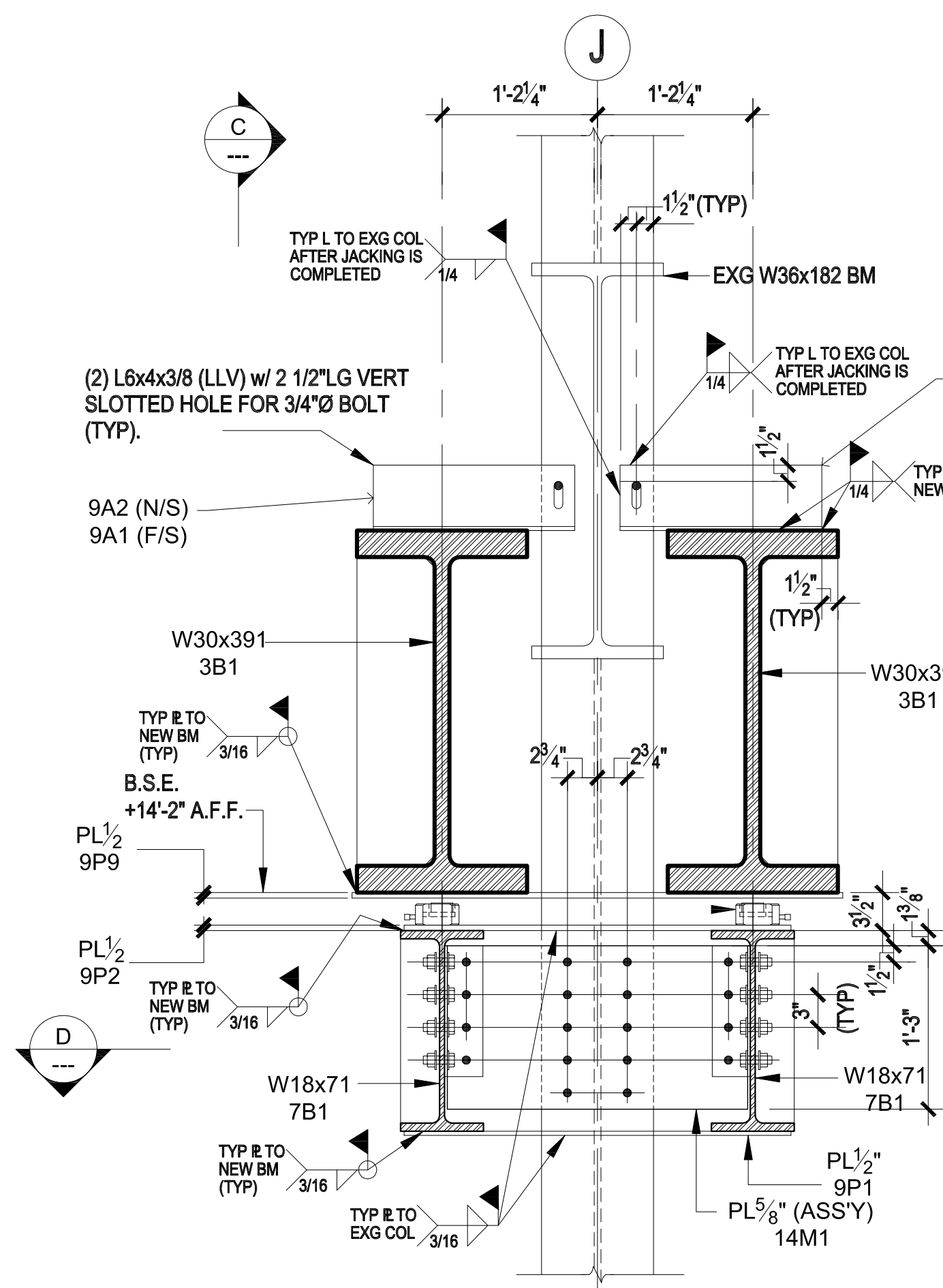
**PARTIAL EXIST. THEATER LEVEL BEAMS FRAMING PLAN**

NOTES:  
 - - - - DENOTES EXIST. BEAM  
 ——— DENOTES NEW STEEL

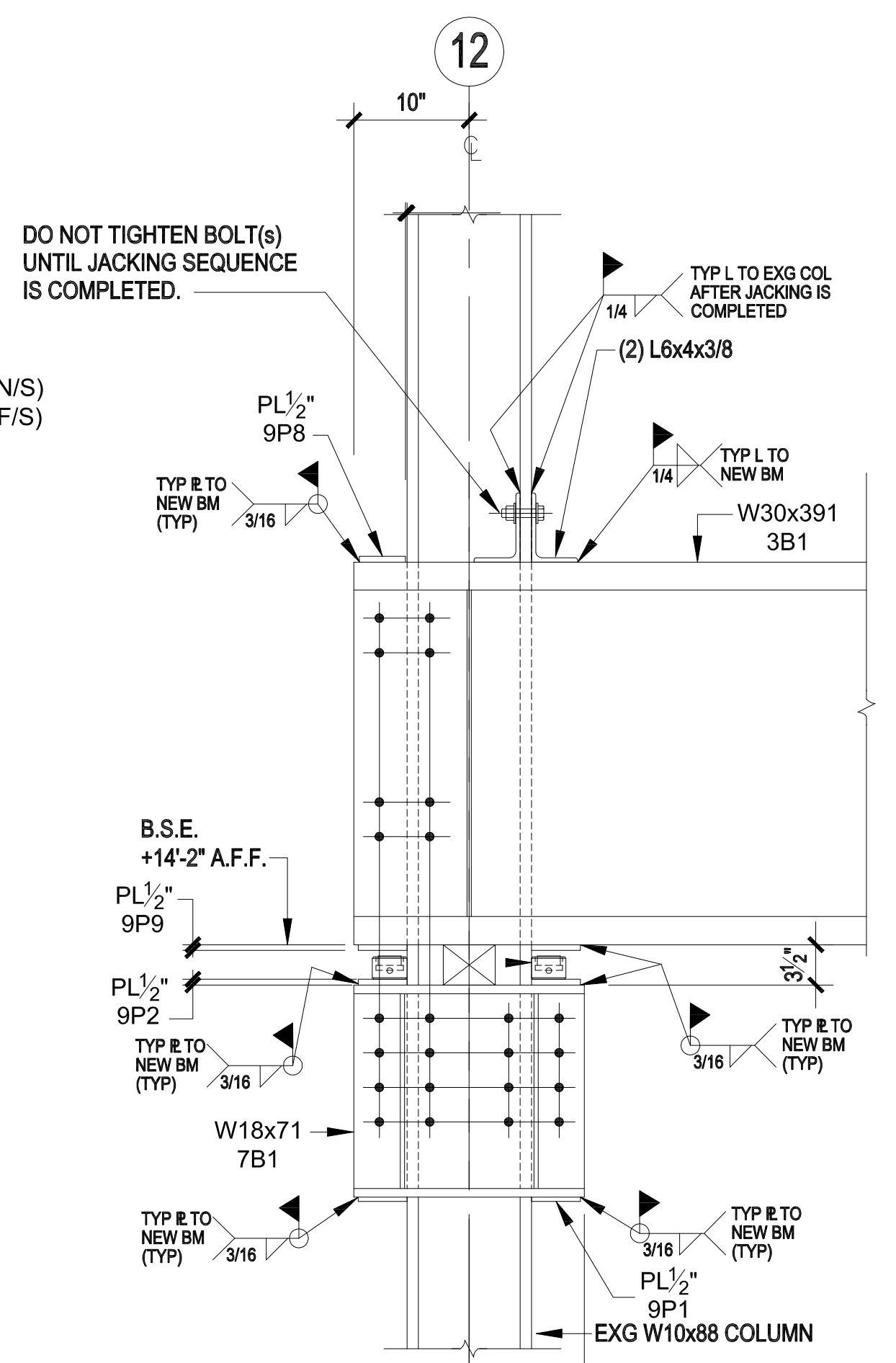
REVISIONS				NORTHEASTERN STEEL INC.			
Nº	DATE	REMARKS	REV	DATE	BY	PRINTS	TITLE:
							THEATER LEVEL BEAMS FRAMING PLAN
PROJECT:			CAROUSEL CENTER				
ARCHITECT:			STRUCT. ENGN:				
DWG BY		DATE:	CONTRACT		DRAWING		
F.L.W		03/23/2012					
CHK'D BY		DATE:					E1
A.T		03/23/2012					



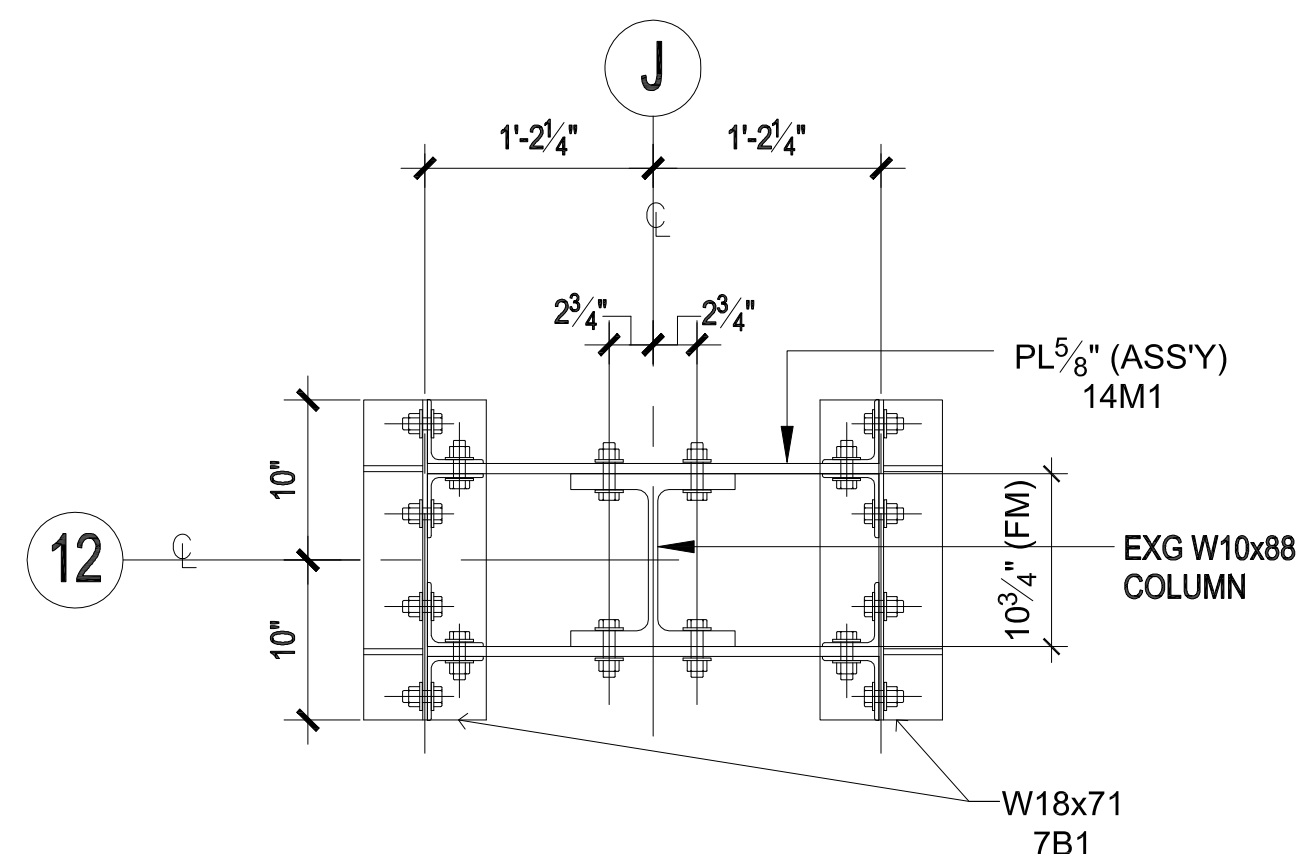
**SECTION A**  
REF. DWG. C2/S301



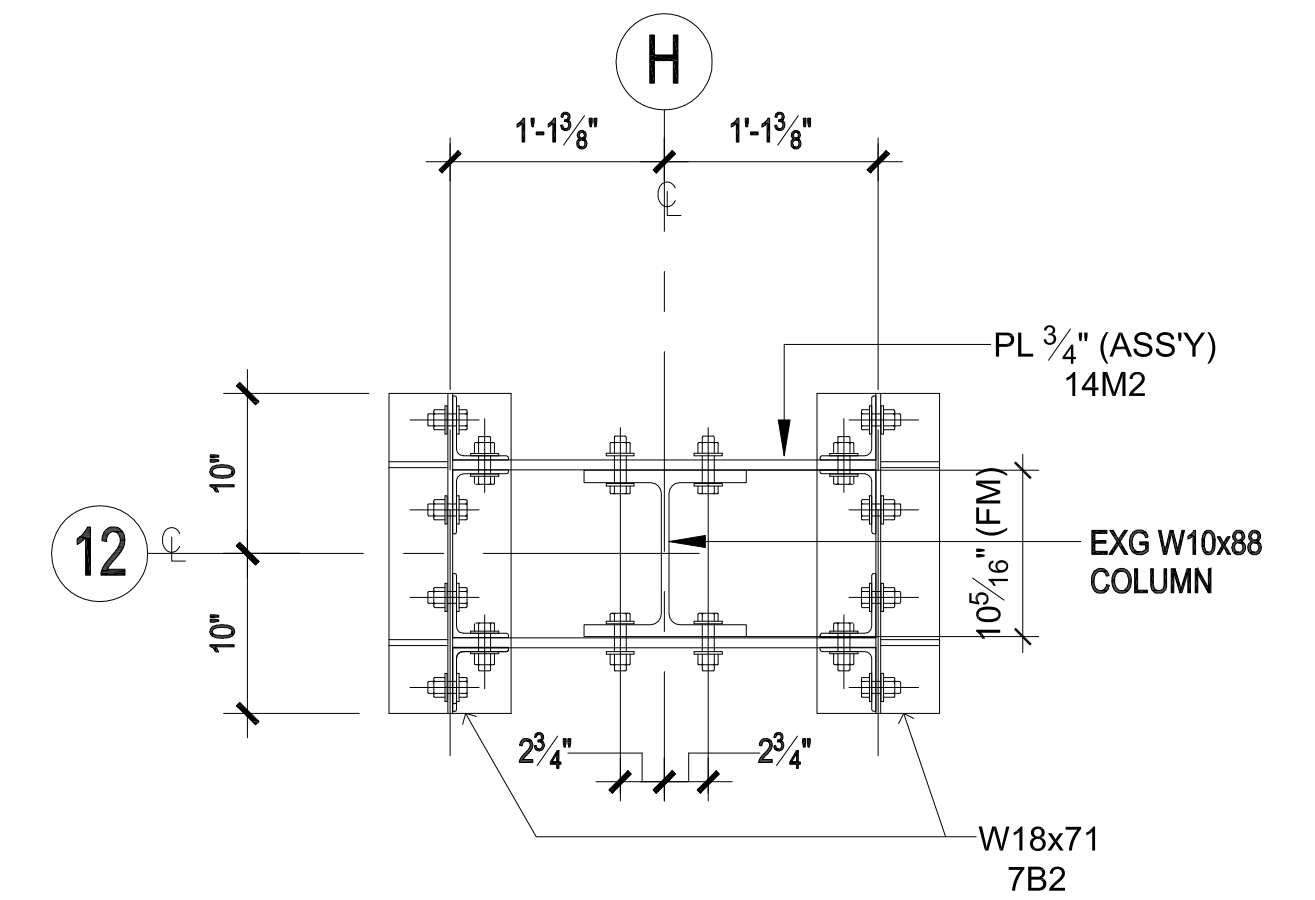
**SECTION B**  
REF. DWG. C1/S301



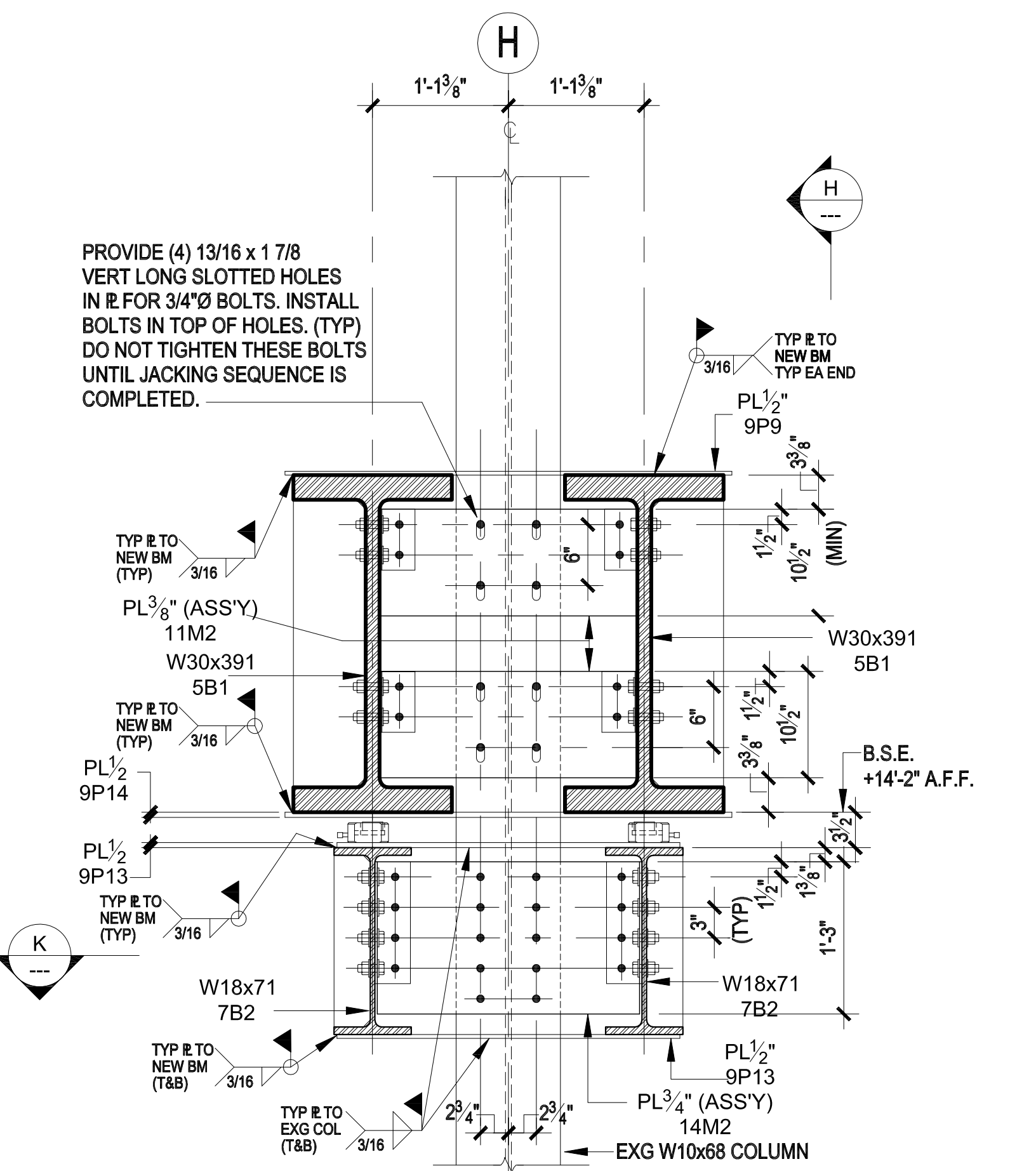
**SECTION C**  
REF. DWG. C3/S301



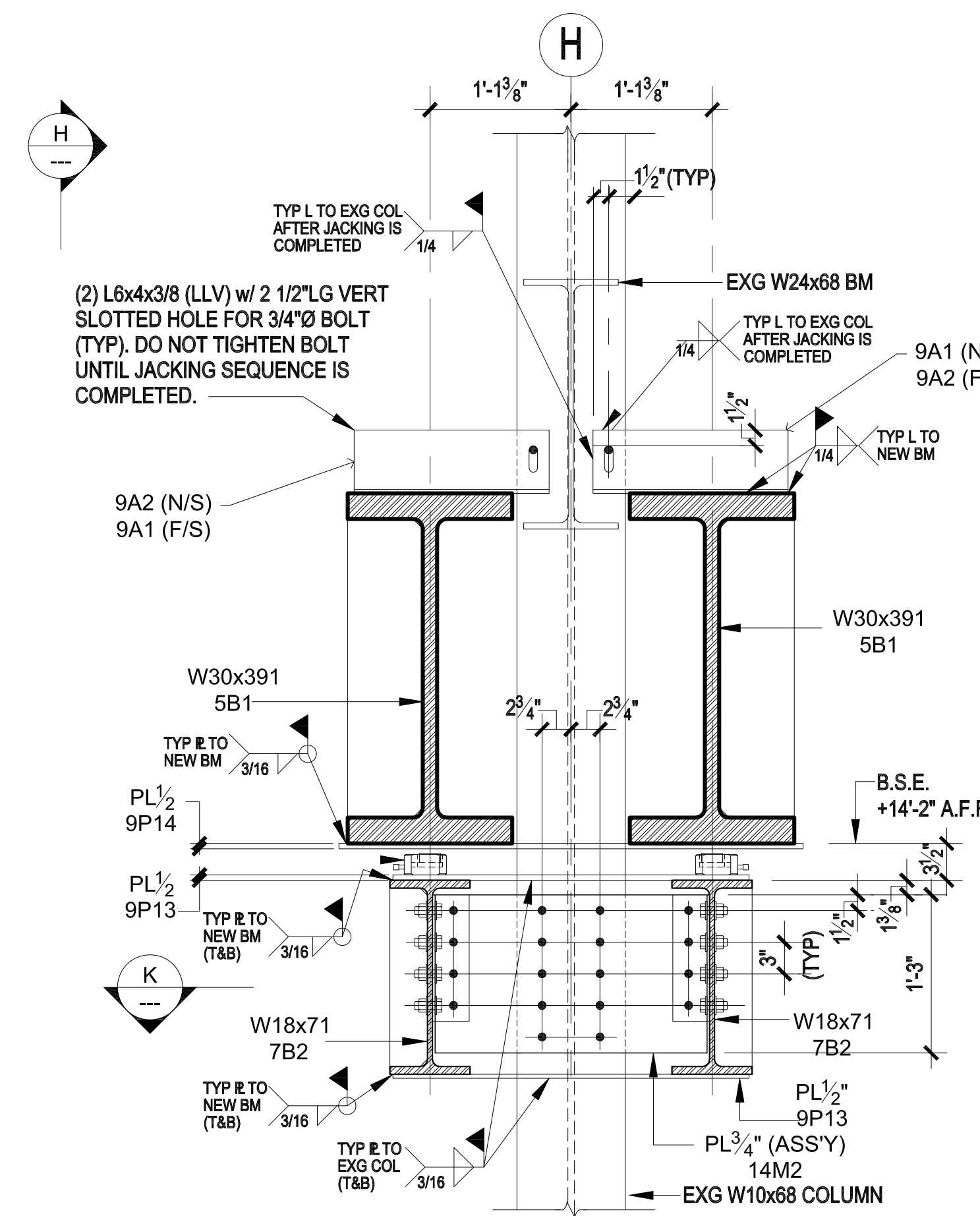
**SECTION D**  
REF. DWG. E2/S301



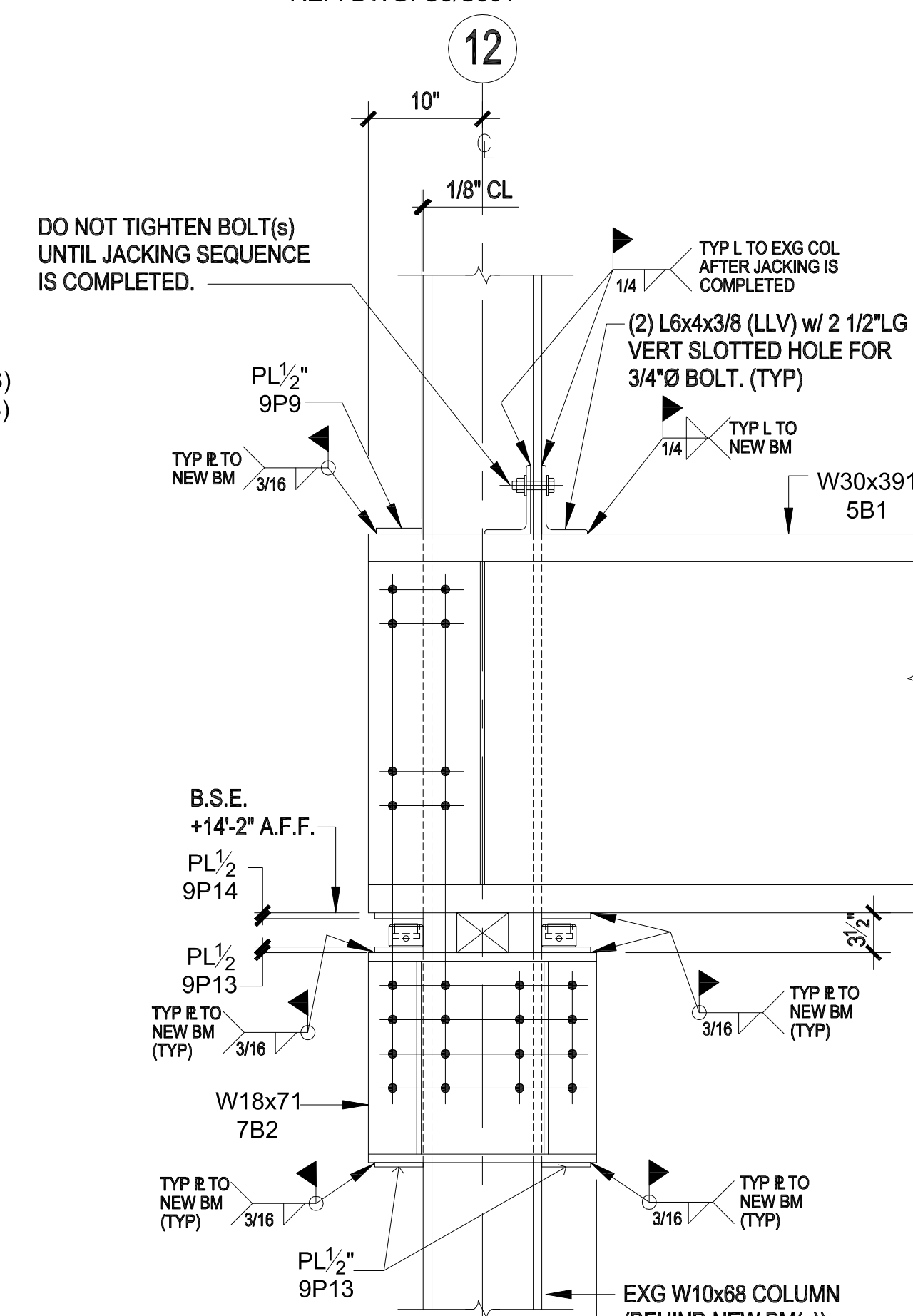
**SECTION K**  
REF. DWG. E5/S301



**SECTION F**  
REF. DWG. C5/S301



**SECTION G**  
REF. DWG. C4/S301



**SECTION H**  
REF. DWG. C6/S301

NOTES:  
MATERIAL: ALL STRUC. STEEL ASTM A-992,  
PLATES, ANGLES, & MISC. ASTM A-36  
HOLES: 13/16\"/>

REVISIONS		
N°	DATE	REMARKS

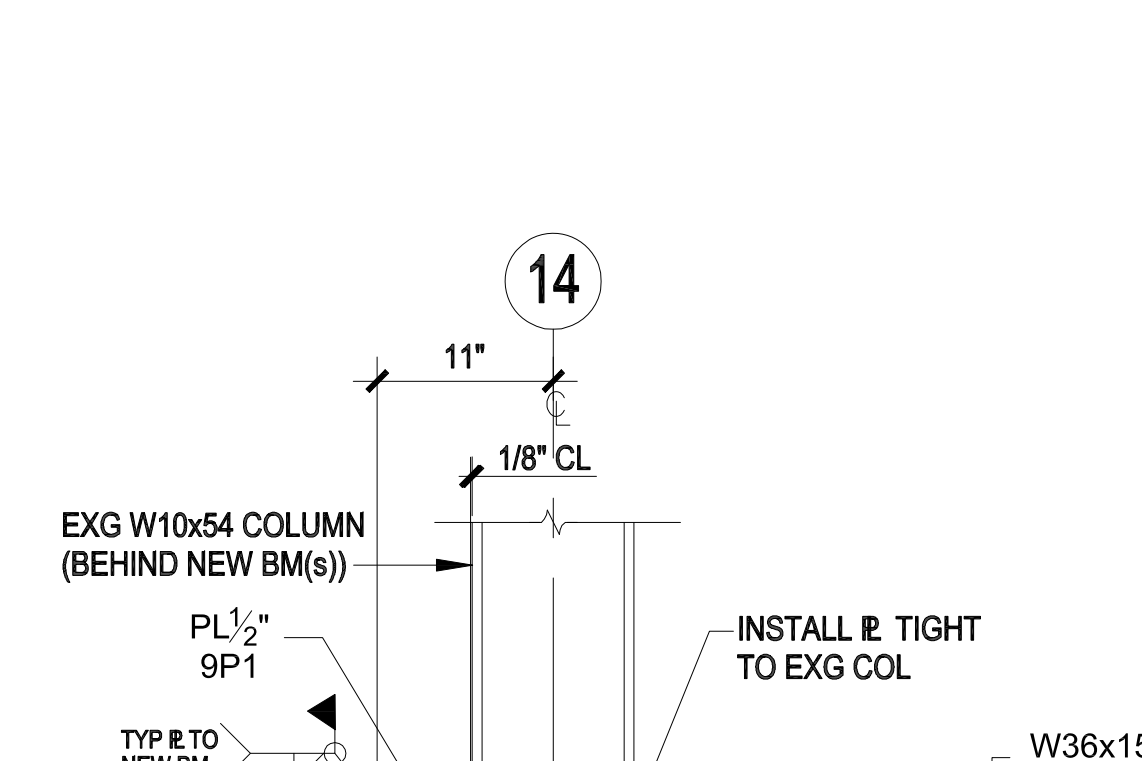
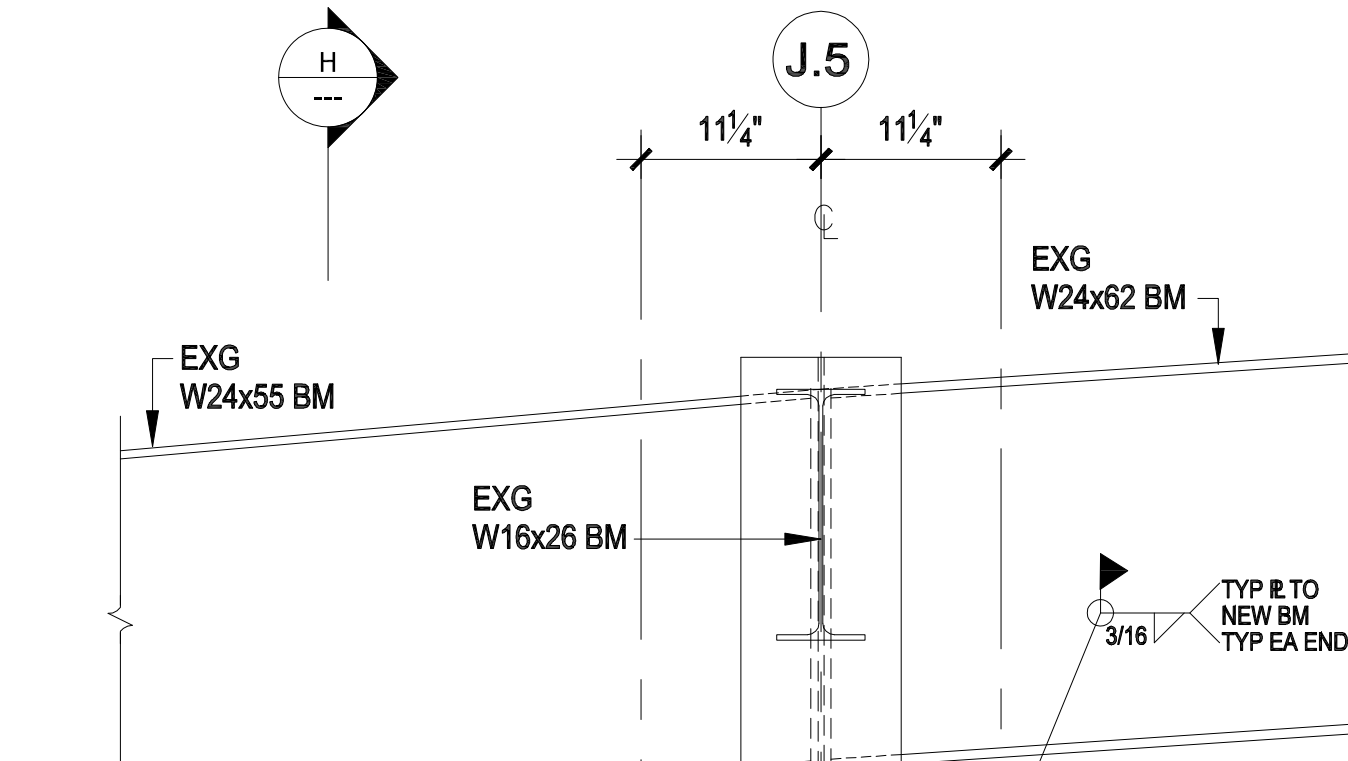
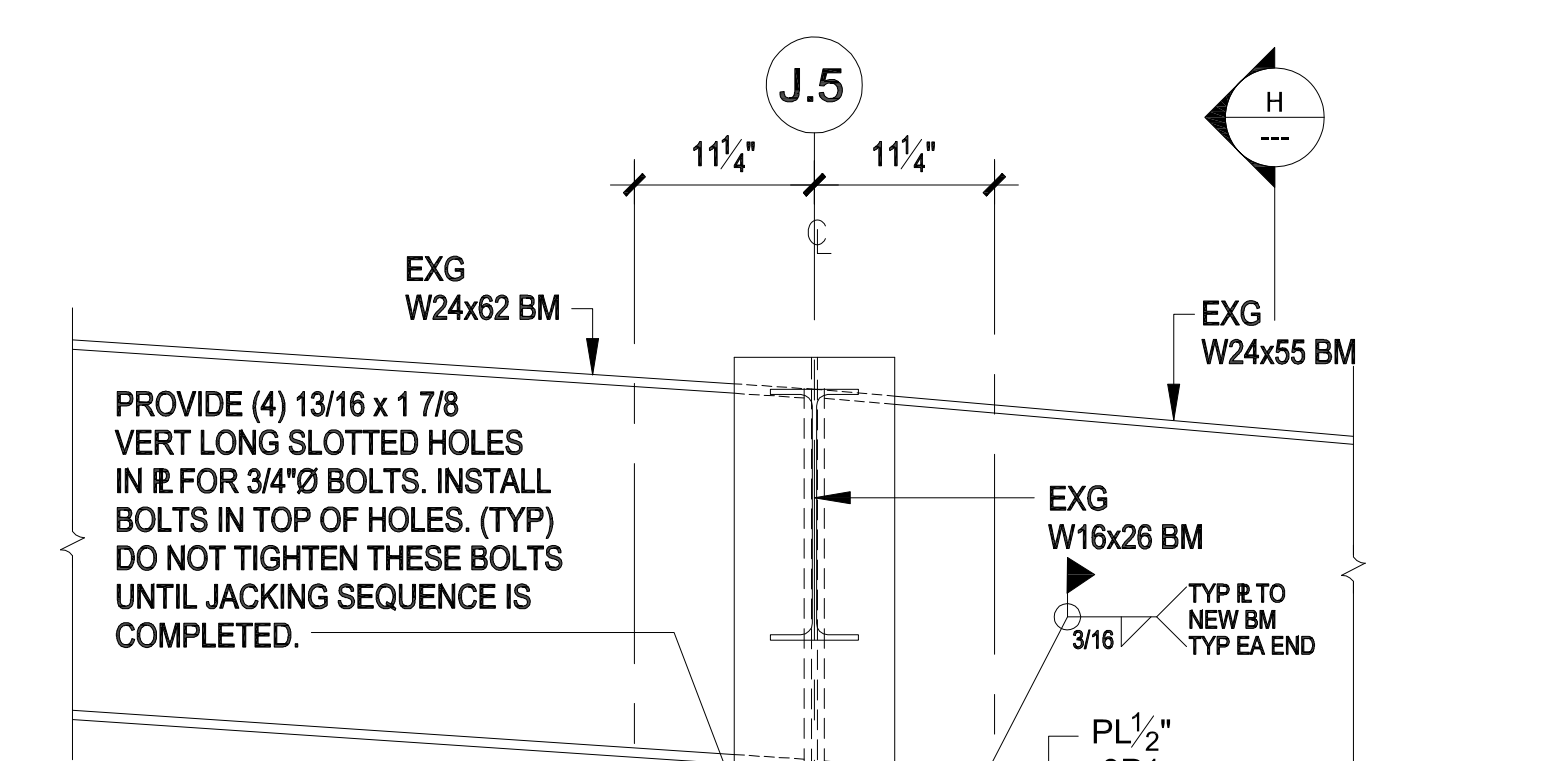
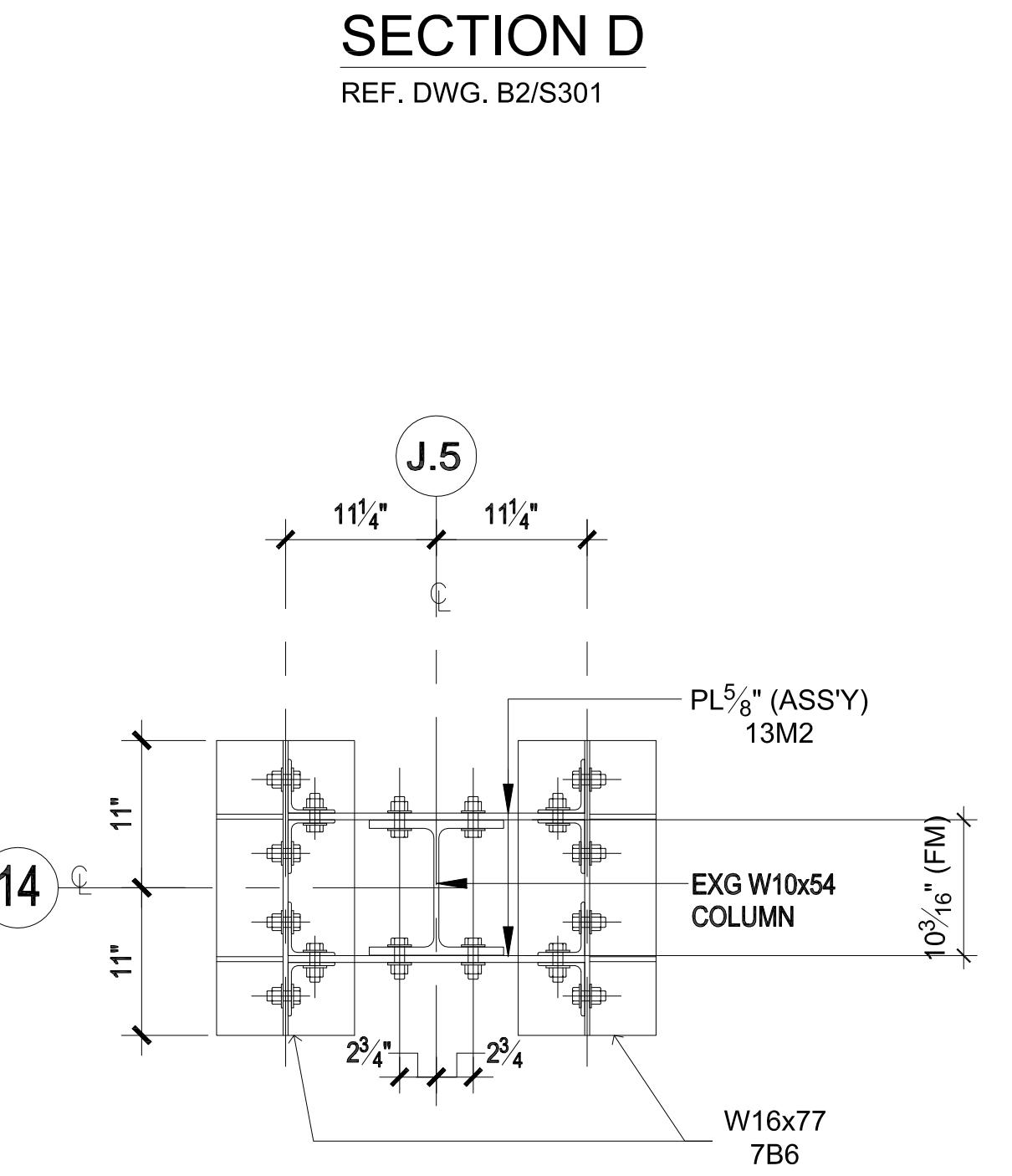
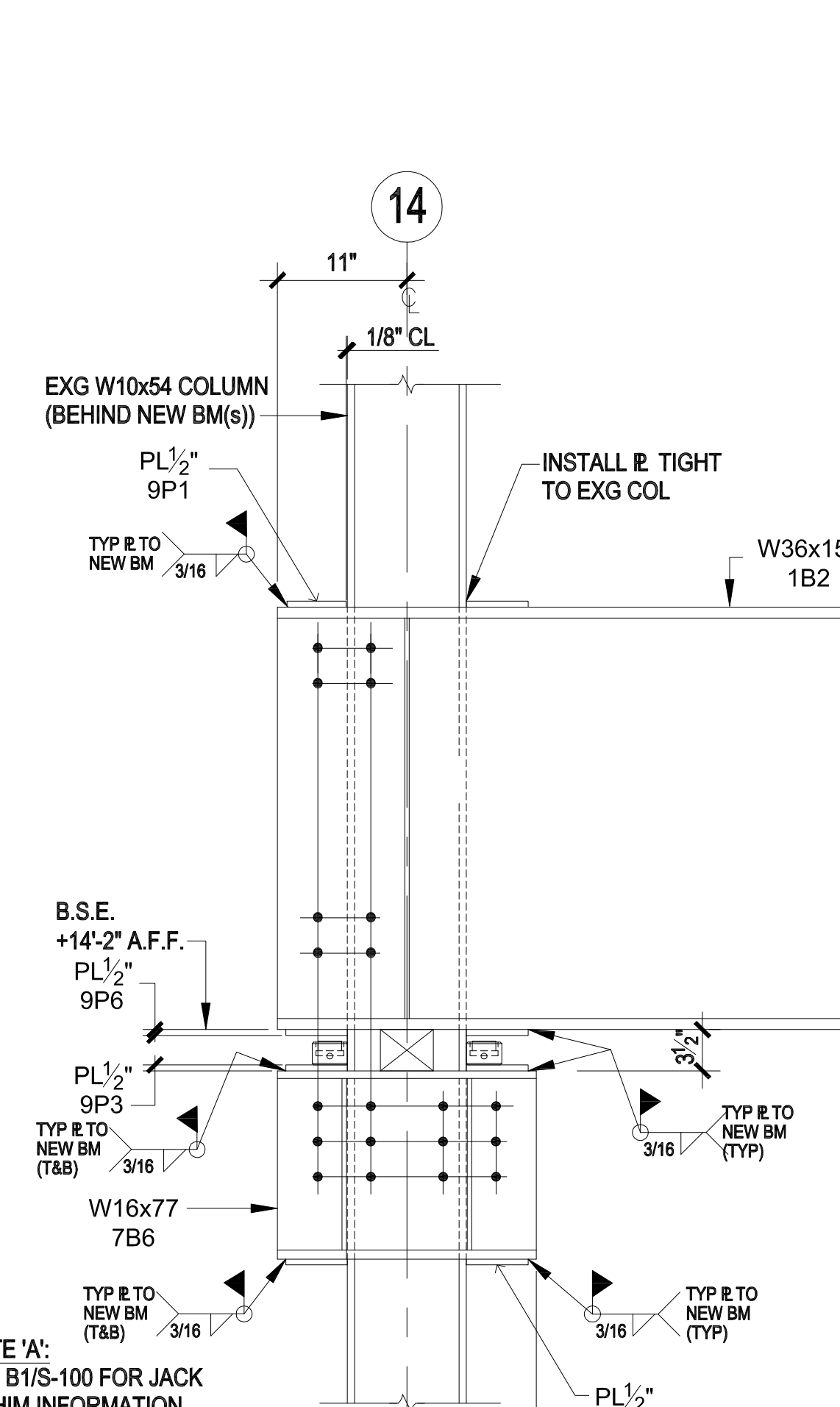
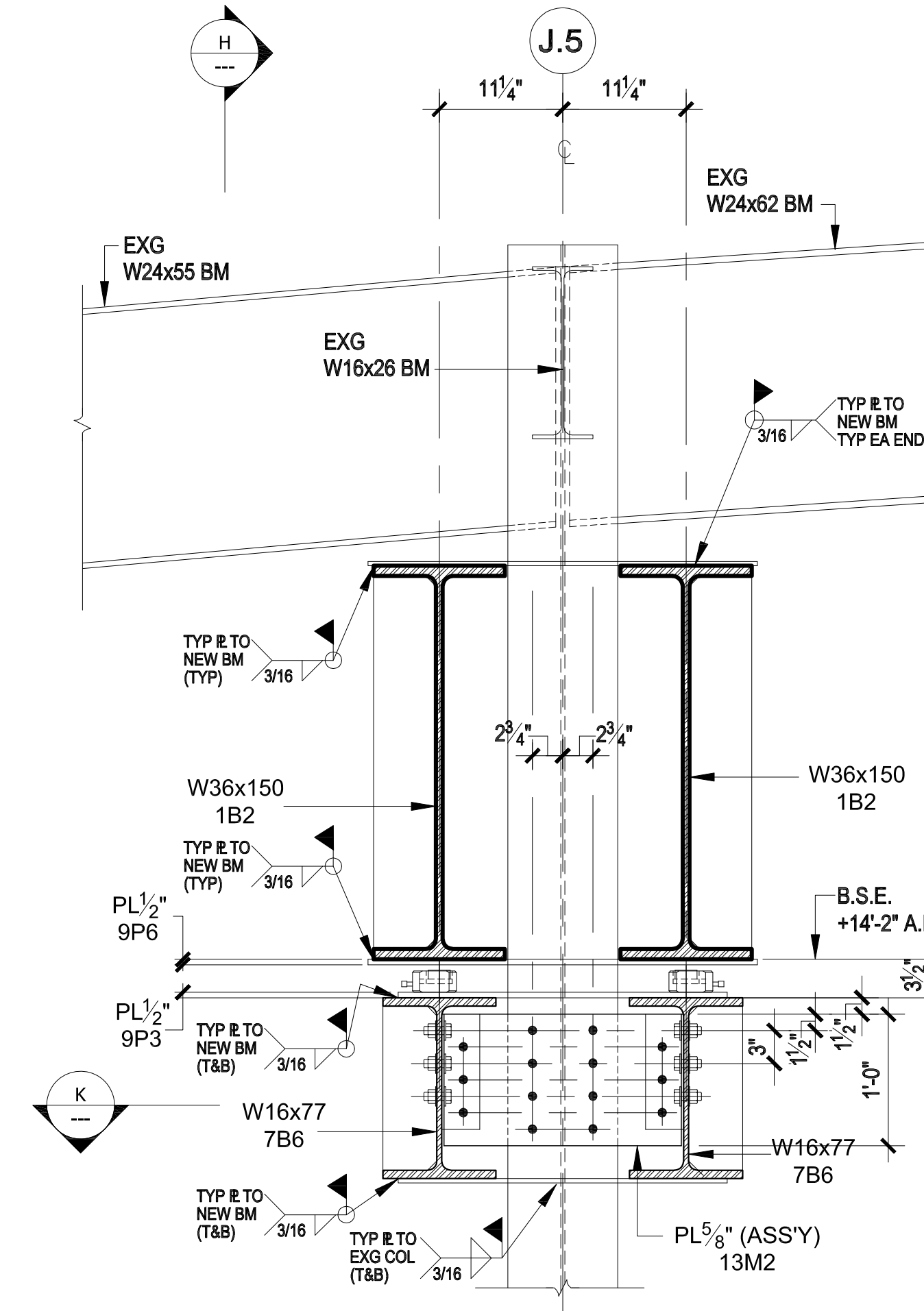
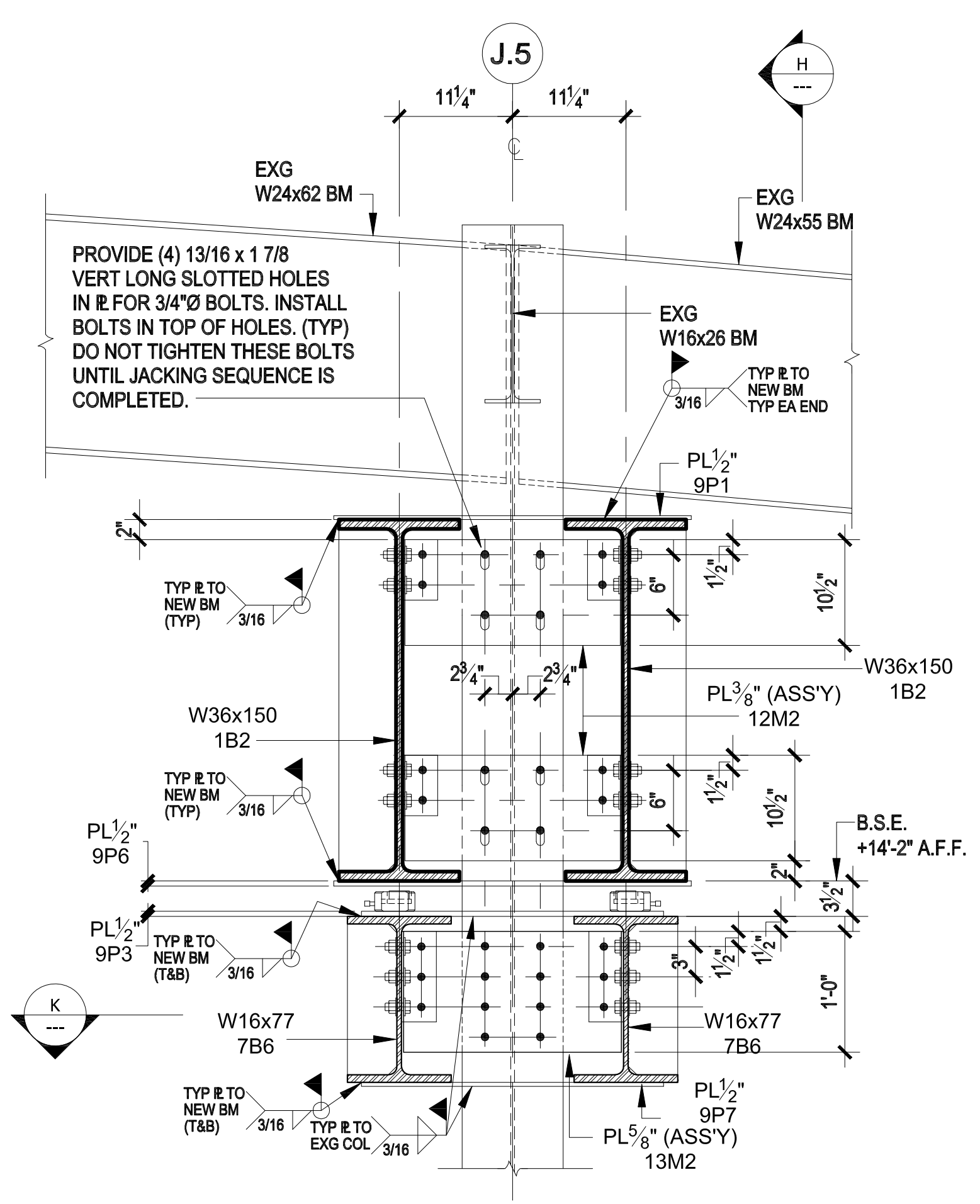
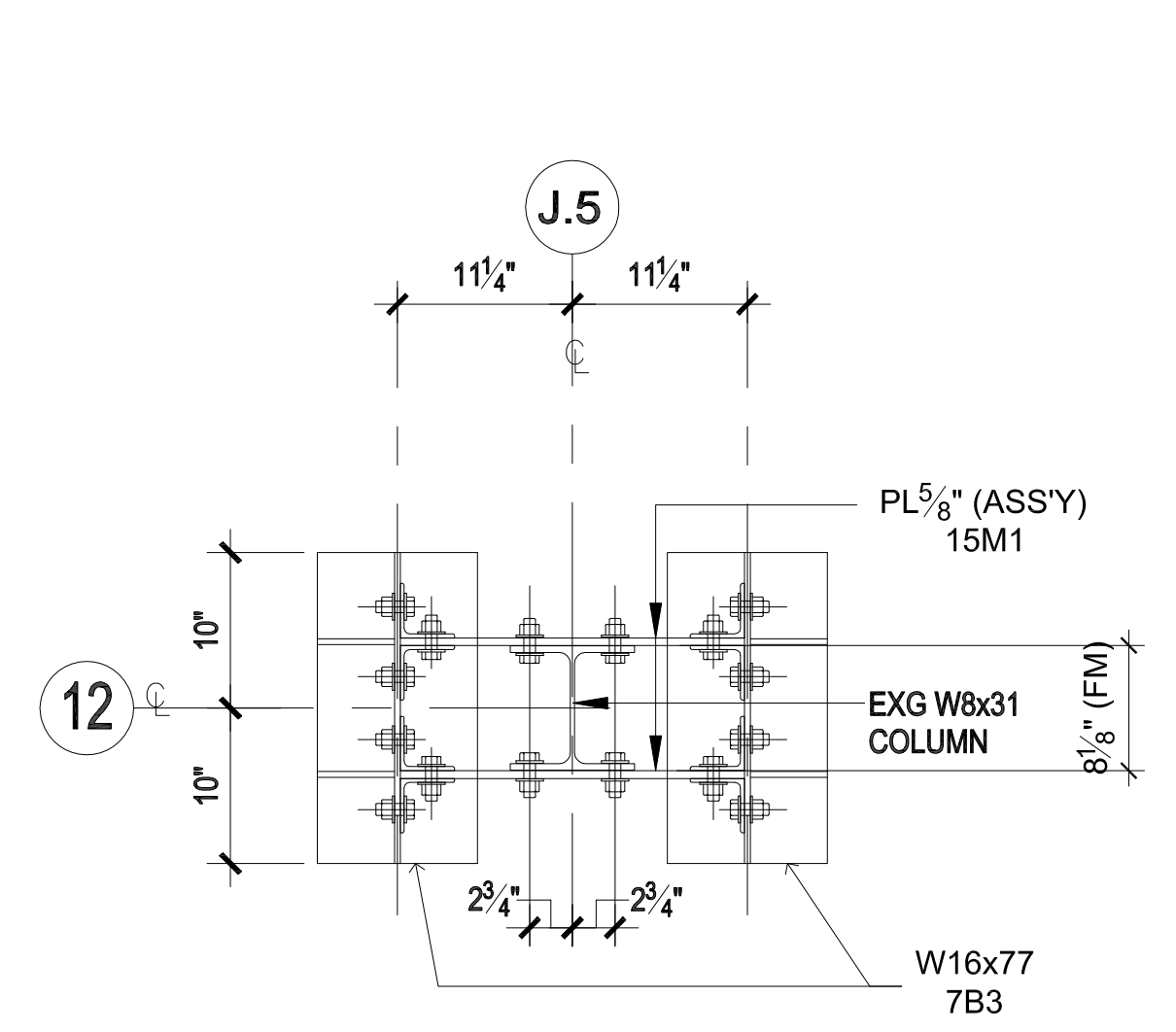
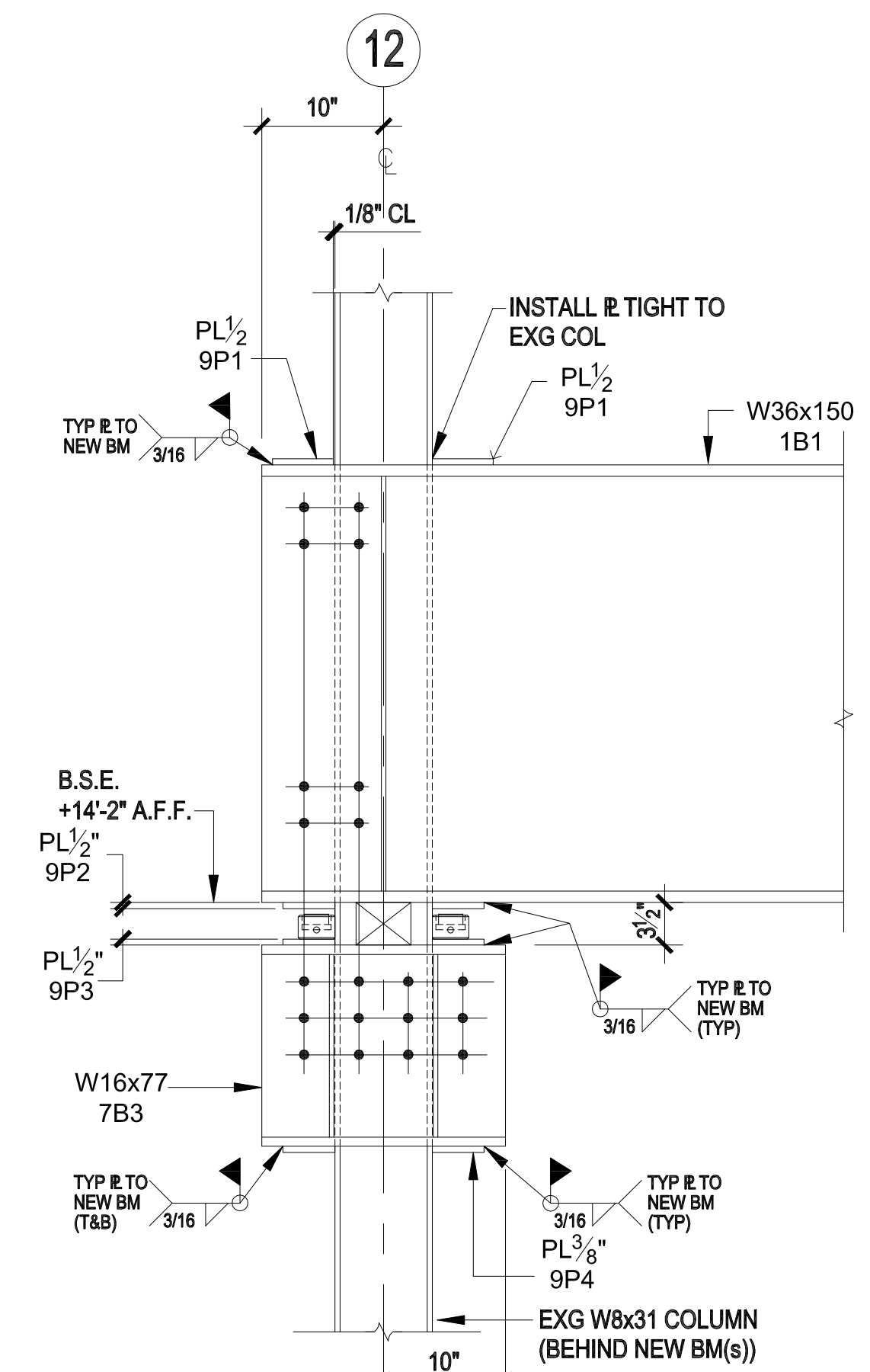
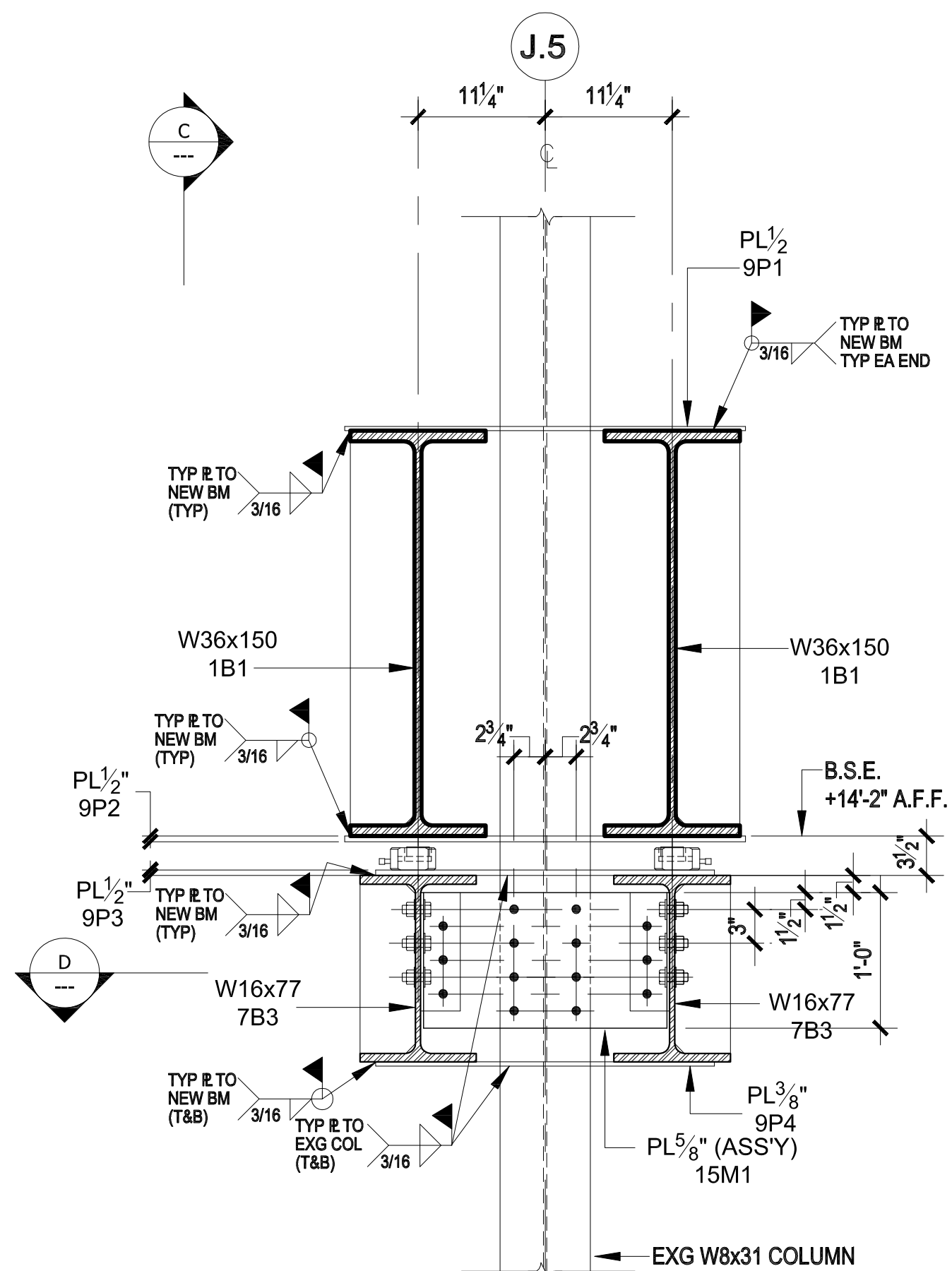
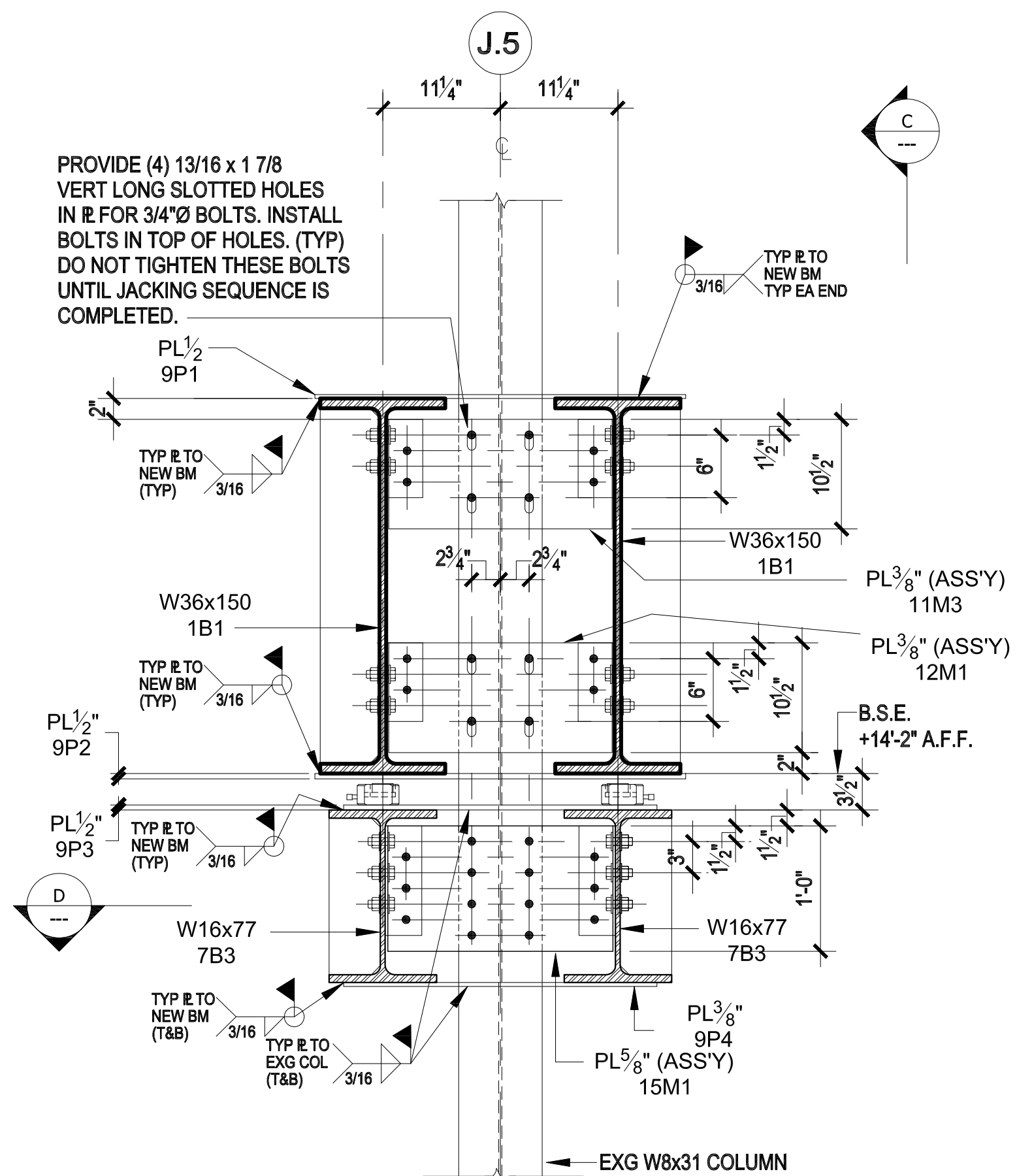
**NORTHEASTERN STEEL INC.**

PROJECT:  
**CAROUSEL CENTER**

TITLE:  
**THEATER LEVEL SECTIONS AND DETAILS**

ARCHITECT:  
STRUCT. ENG'N:

DWG BY F.L.W	DATE: 03/23/2012	CONTRACT	DRAWING
CHK'D BY A.T	DATE: 03/23/2012		E2



NOTES:  
MATERIAL: ALL STRUC. STEEL ASTM A-992,  
PLATES, ANGLES, & MISC. ASTM A-36  
HOLES: 13/16"Ø (U.N.O.)  
BOLTS: 3/4"Ø ASTM A325 N (U.N.O.)  
WELD: E70XX (U.N.O.)  
PAINT: ONE COAT OF SHOP PRIMER

REVISIONS			DATE	REMARKS
N°	DATE	REMARKS		

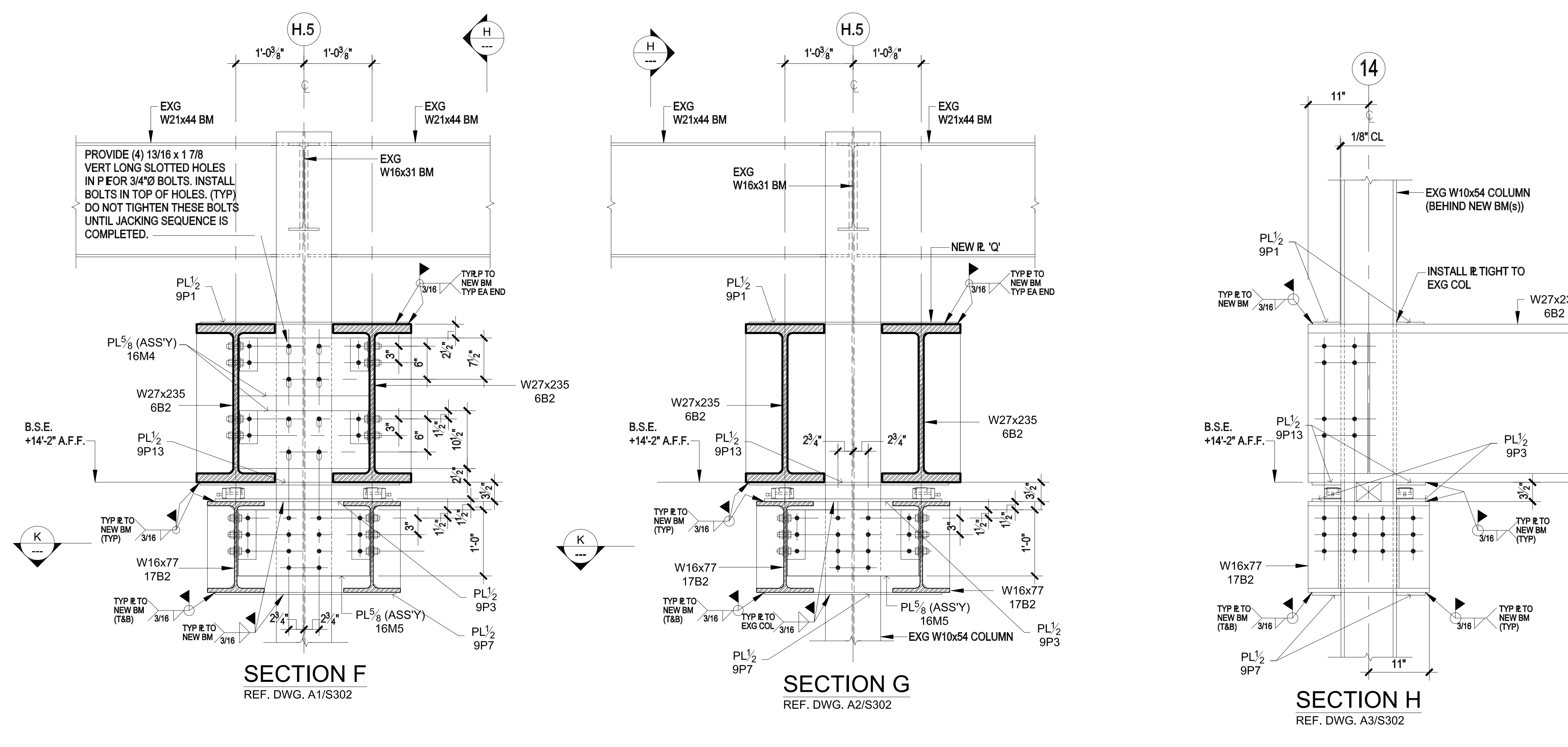
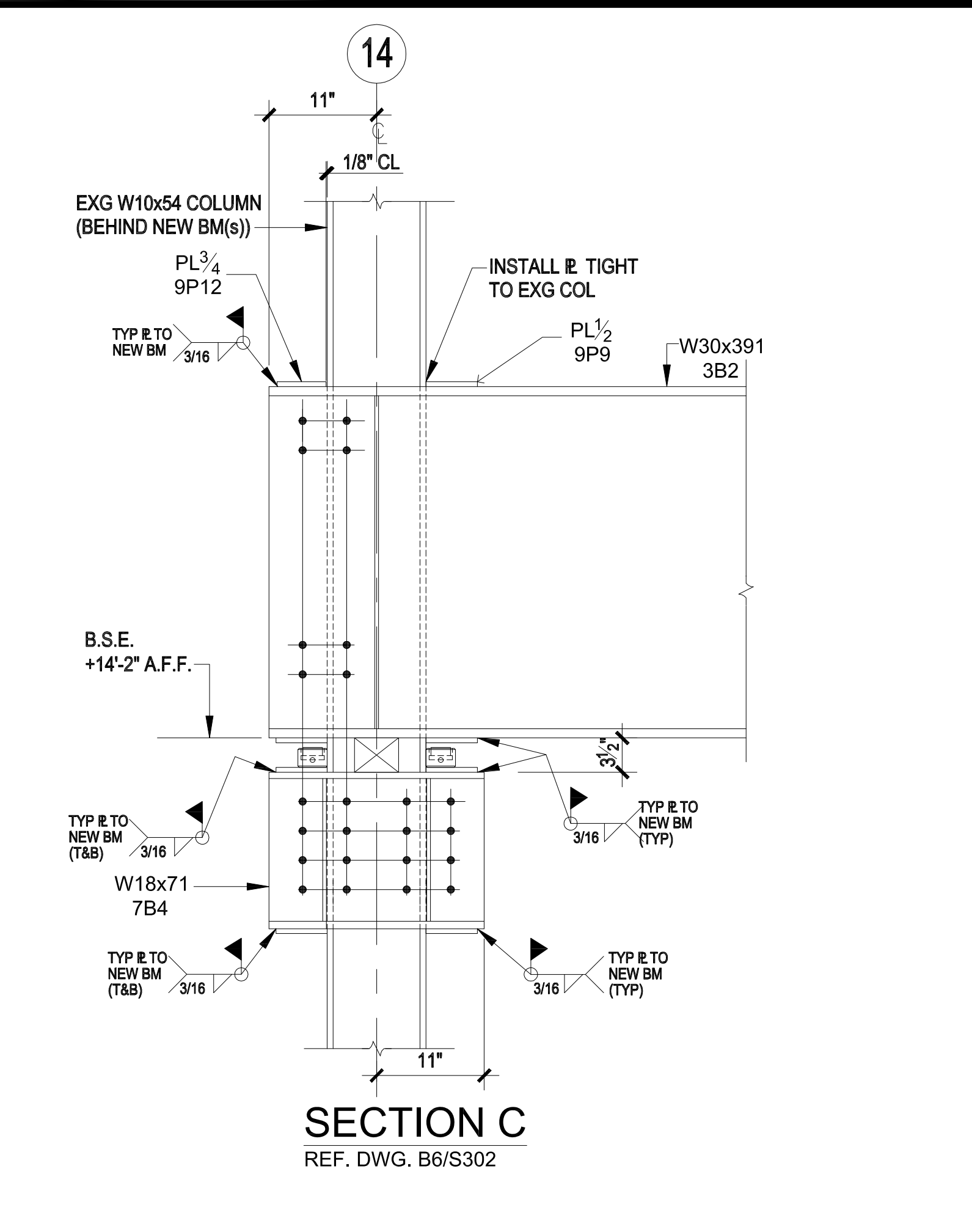
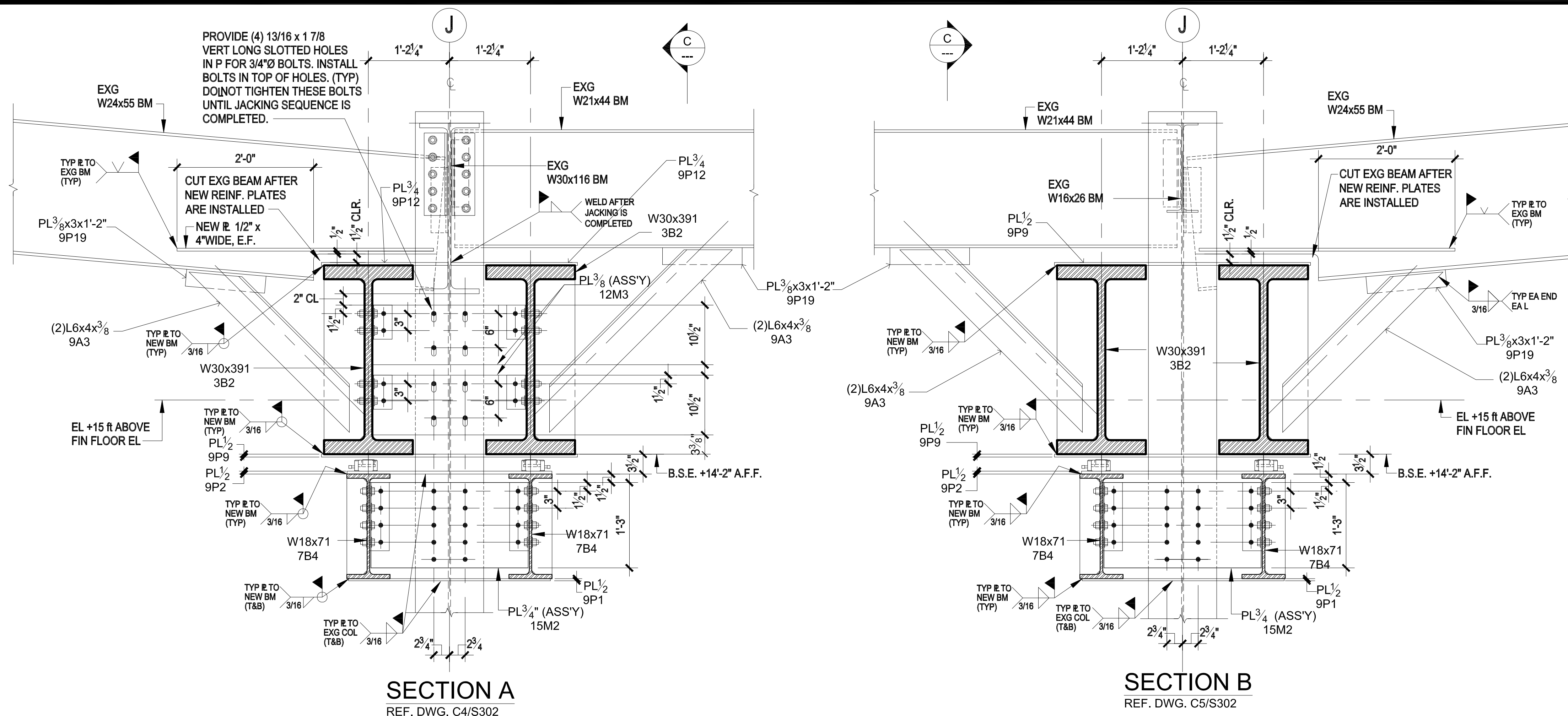
**NORTHEASTERN STEEL INC.**

PROJECT:  
**CAROUSEL CENTER**

TITLE:  
THEATER LEVEL SECTIONS AND DETAILS

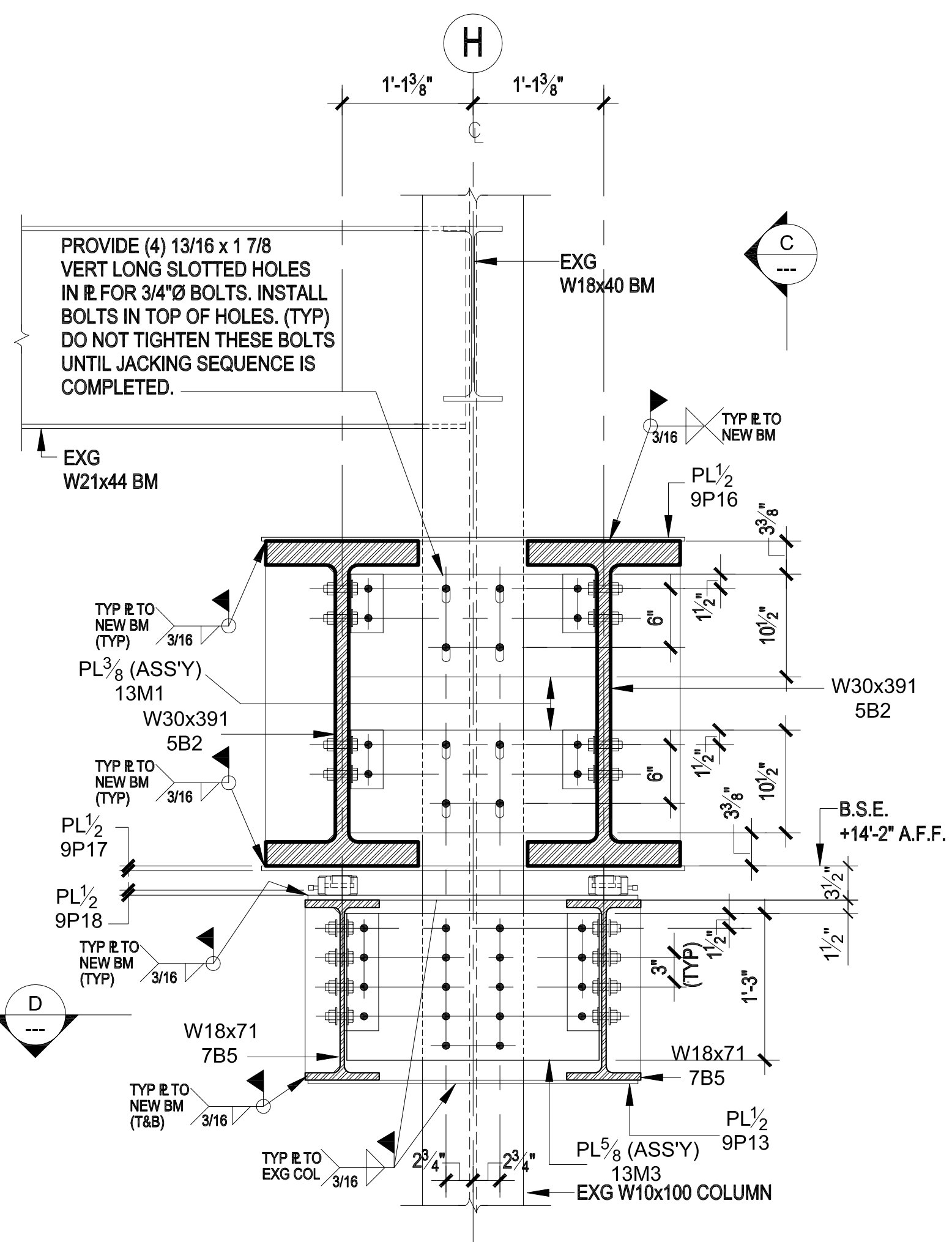
ARCHITECT:  
STRUCT. ENGN:

DWG BY F.L.W	DATE: 03/23/2012	CONTRACT	DRAWING
CHK'D BY A.T	DATE: 03/23/2012		E3

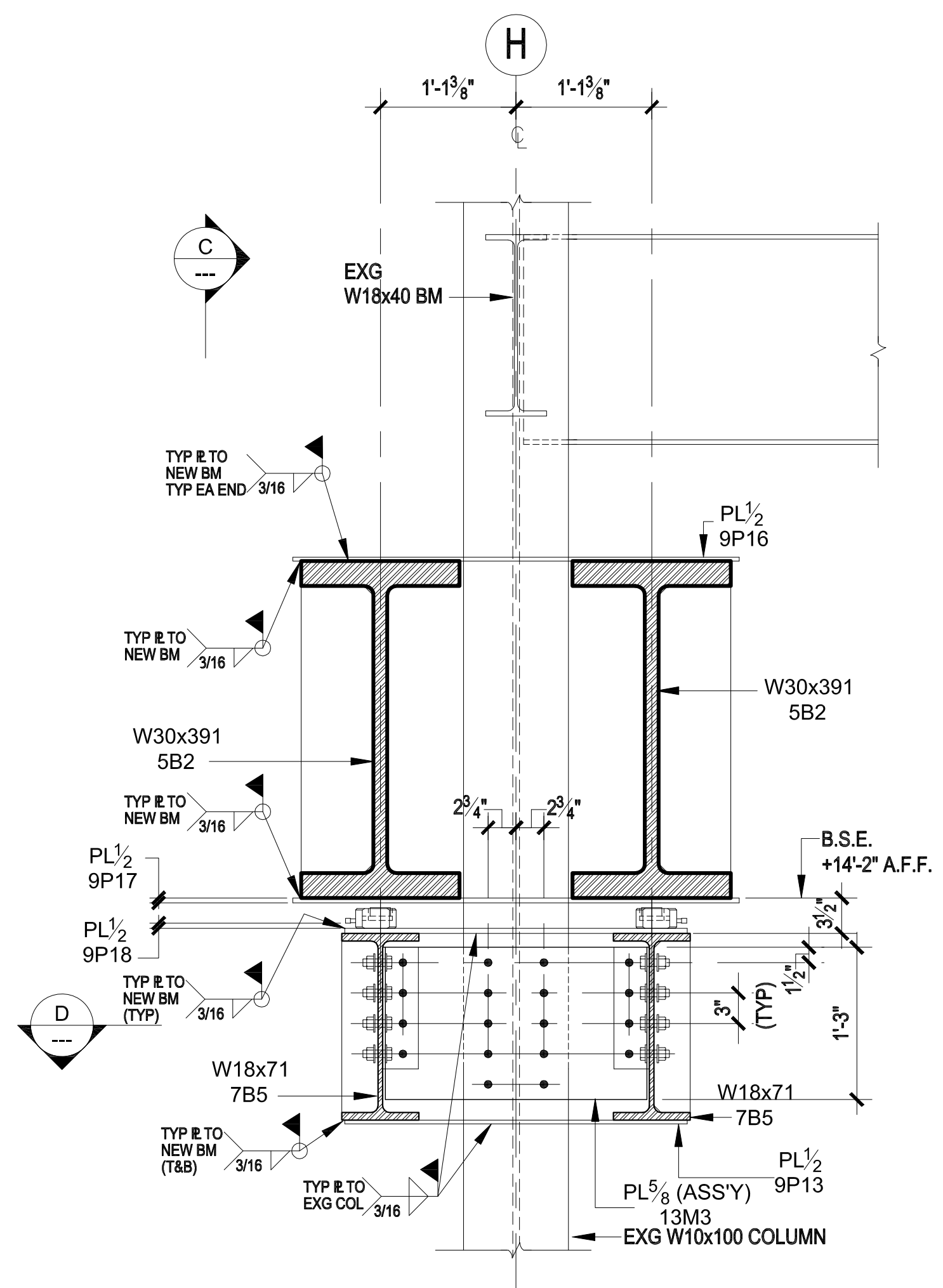


NOTES:  
MATERIAL: ALL STRUC. STEEL ASTM A-992, PLATES, ANGLES, & MISC. ASTM A-36  
HOLES: 13/16" (U.N.O.)  
BOLTS: 3/4" ASTM A325 N (U.N.O.)  
WELD: E70XX (U.N.O.)  
PAINT: ONE COAT OF SHOP PRIMER

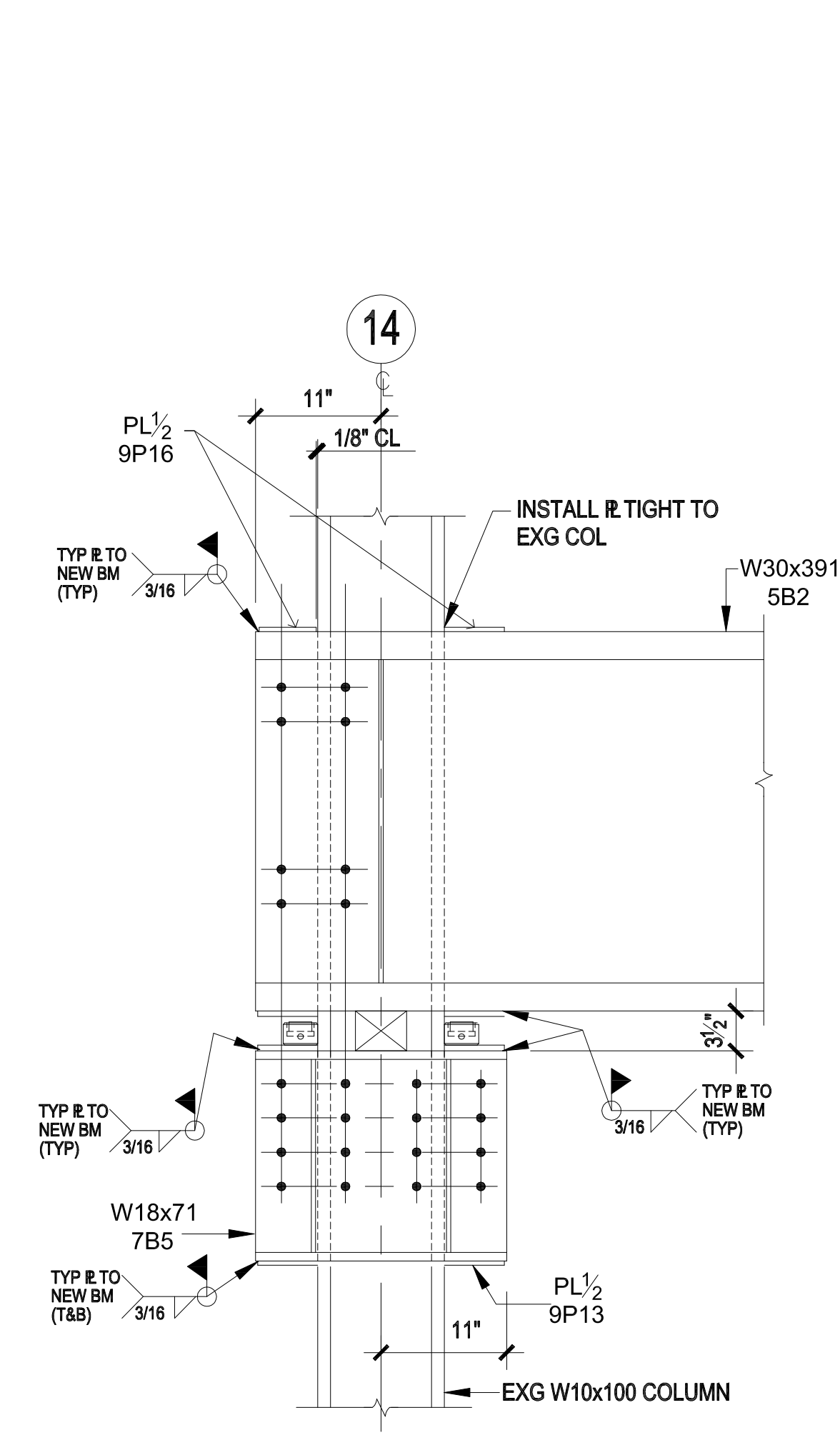
REVISIONS			NORTHEASTERN STEEL INC.
Nº	DATE	REMARKS	
PROJECT:			CAROUSEL CENTER
TITLE:			
THEATER LEVEL SECTIONS AND DETAILS			ARCHITECT: STRUCT. ENG'N:
DWG BY:	DATE:	CONTRACT	
F.L.W	03/23/2012		E4
CHK'D BY:	DATE:		
A.T	03/23/2012		



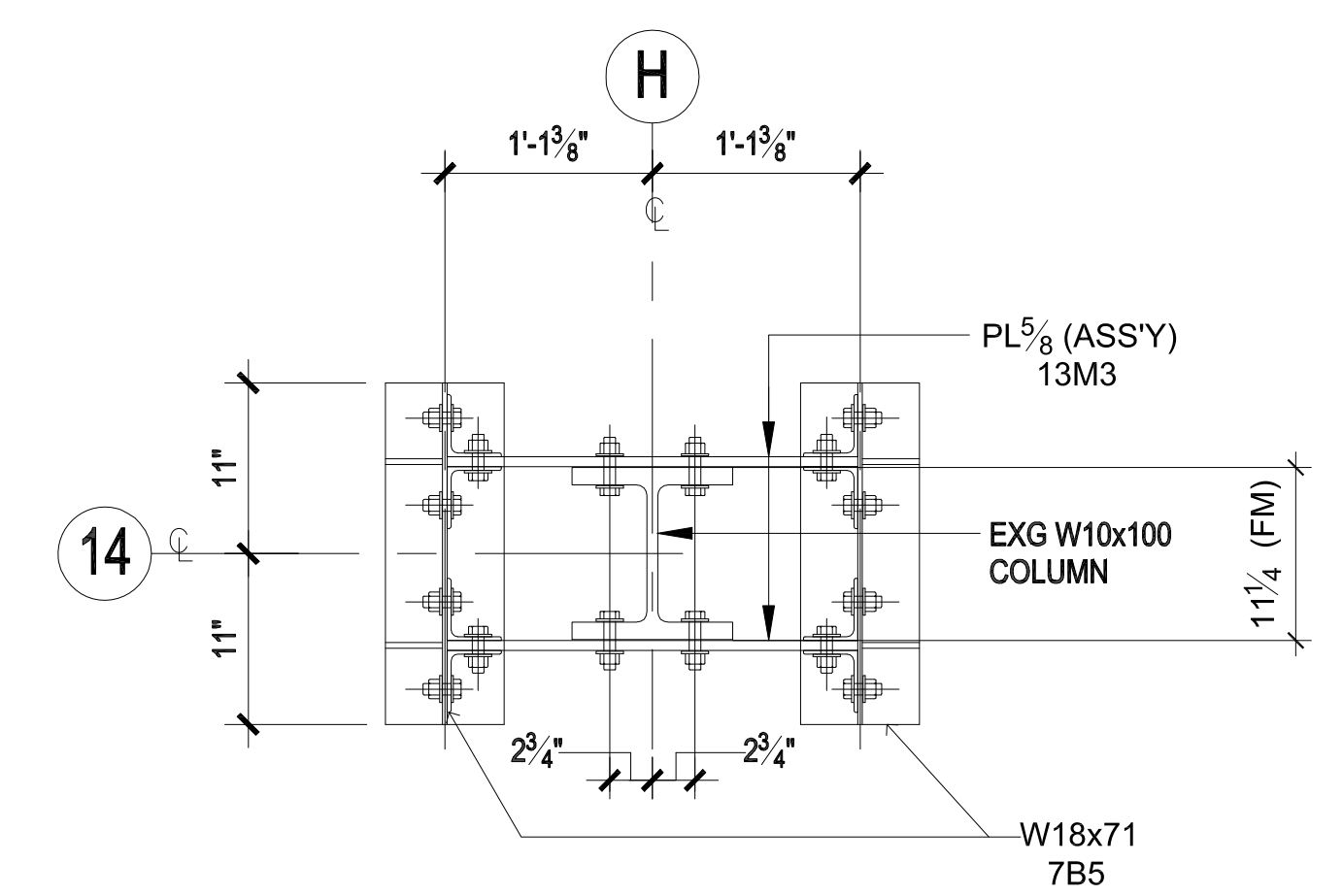
**SECTION A**  
REF. DWG. A5/S302



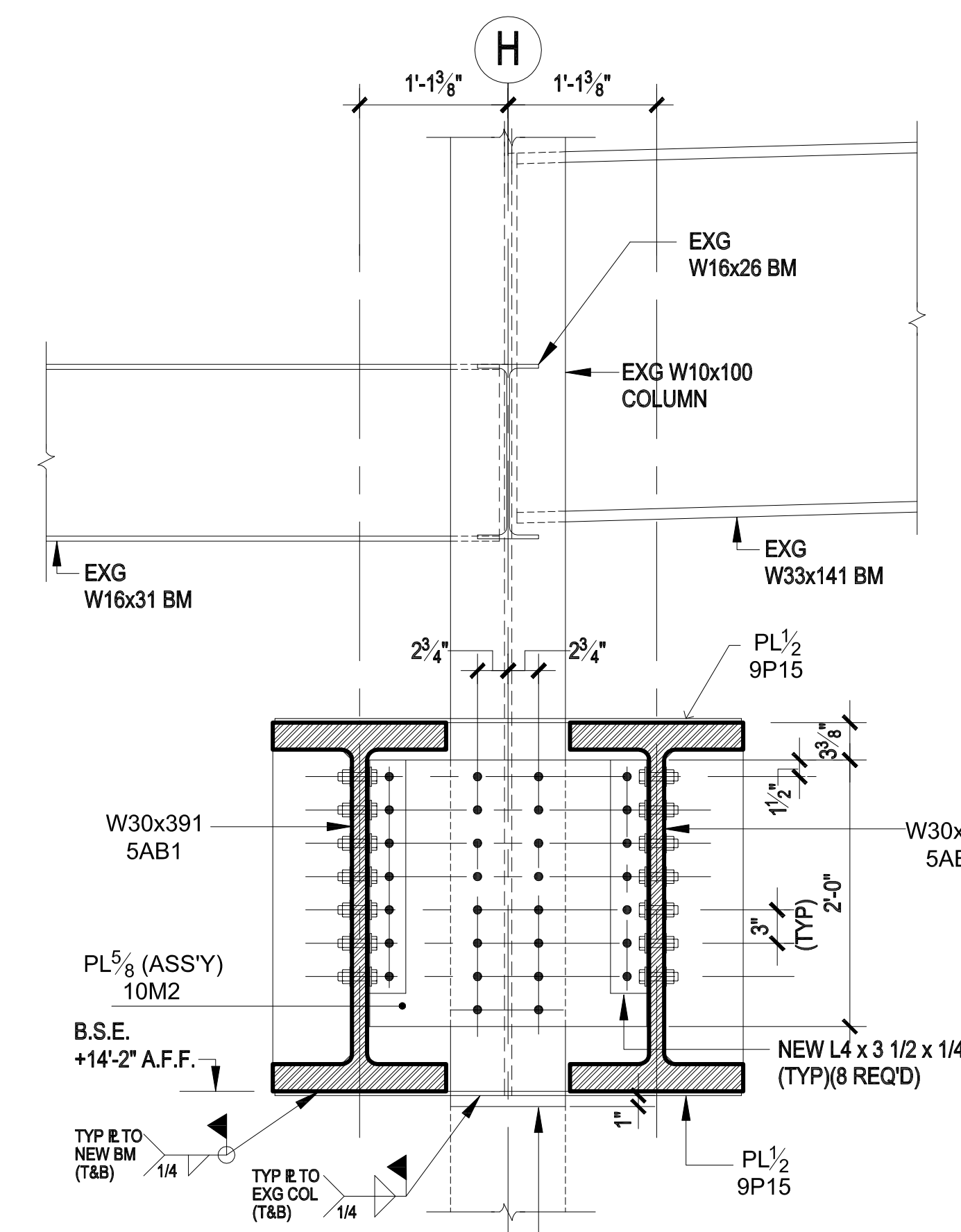
**SECTION B**  
REF. DWG. A4/S302



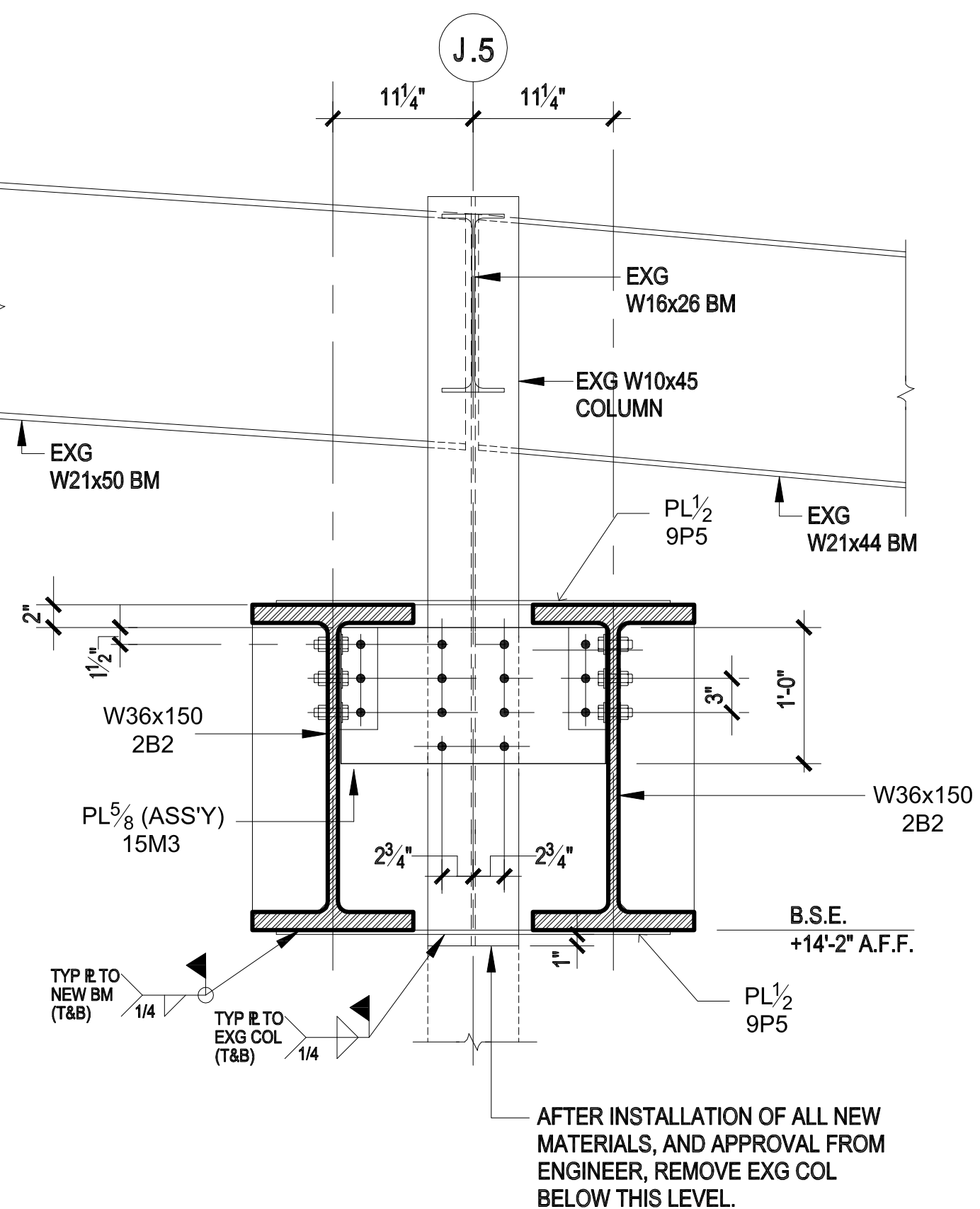
**SECTION C**  
REF. DWG. A6/S302



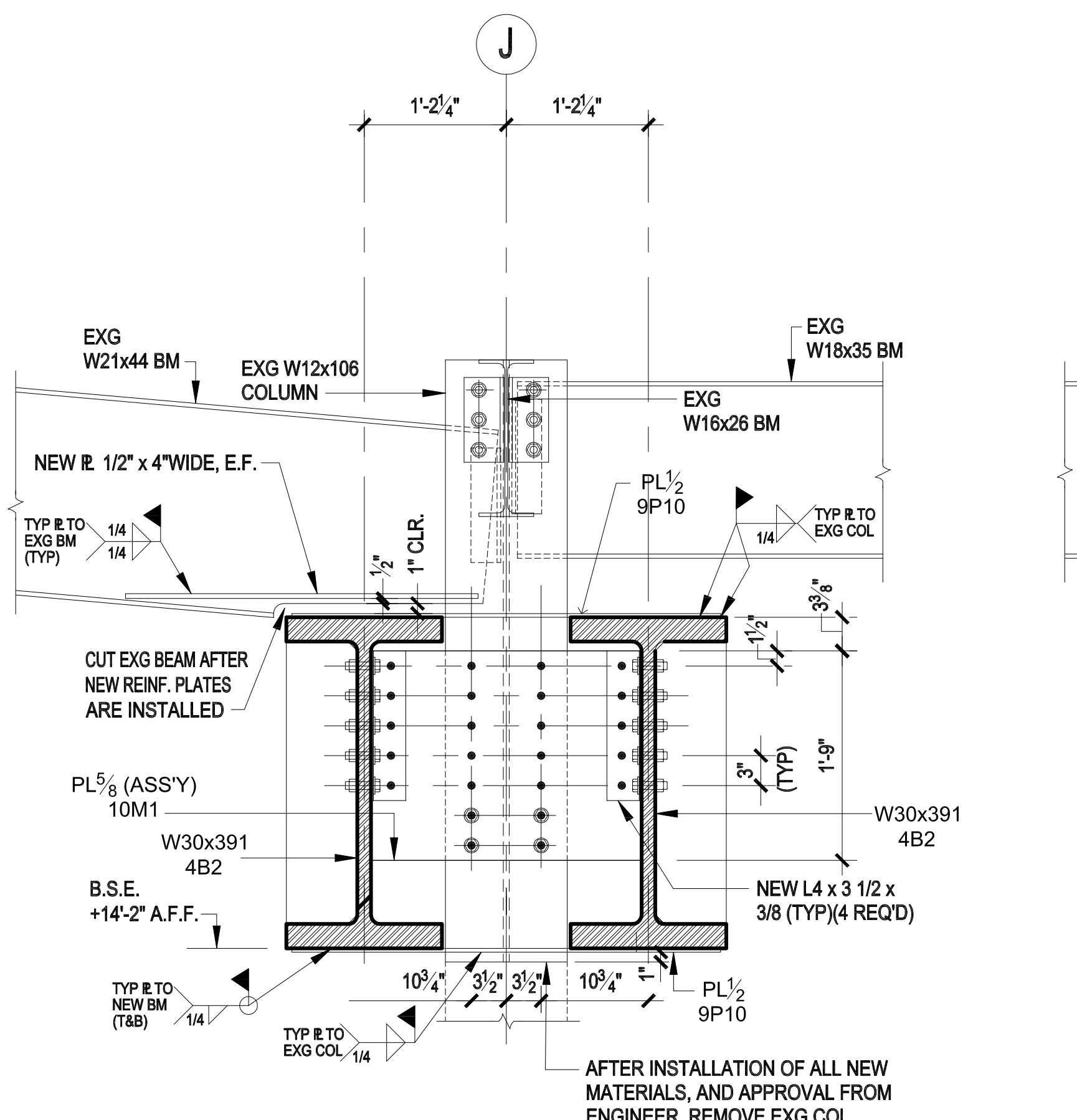
**SECTION D**  
REF. DWG. B5/S302



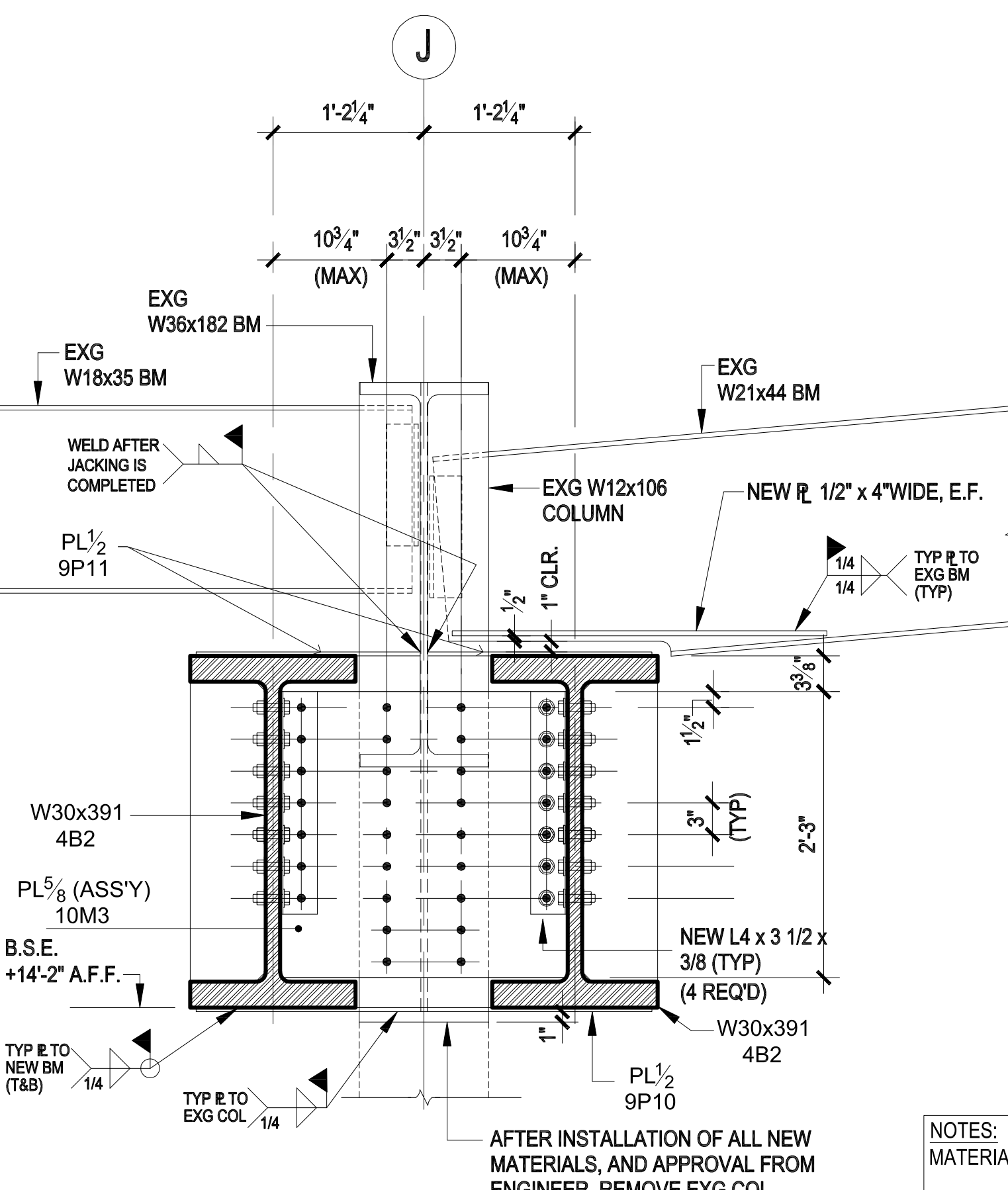
**SECTION E**  
REF. DWG. D3/S303



**SECTION F**  
REF. DWG. A2/S304



**SECTION G**  
REF. DWG. D1/S303

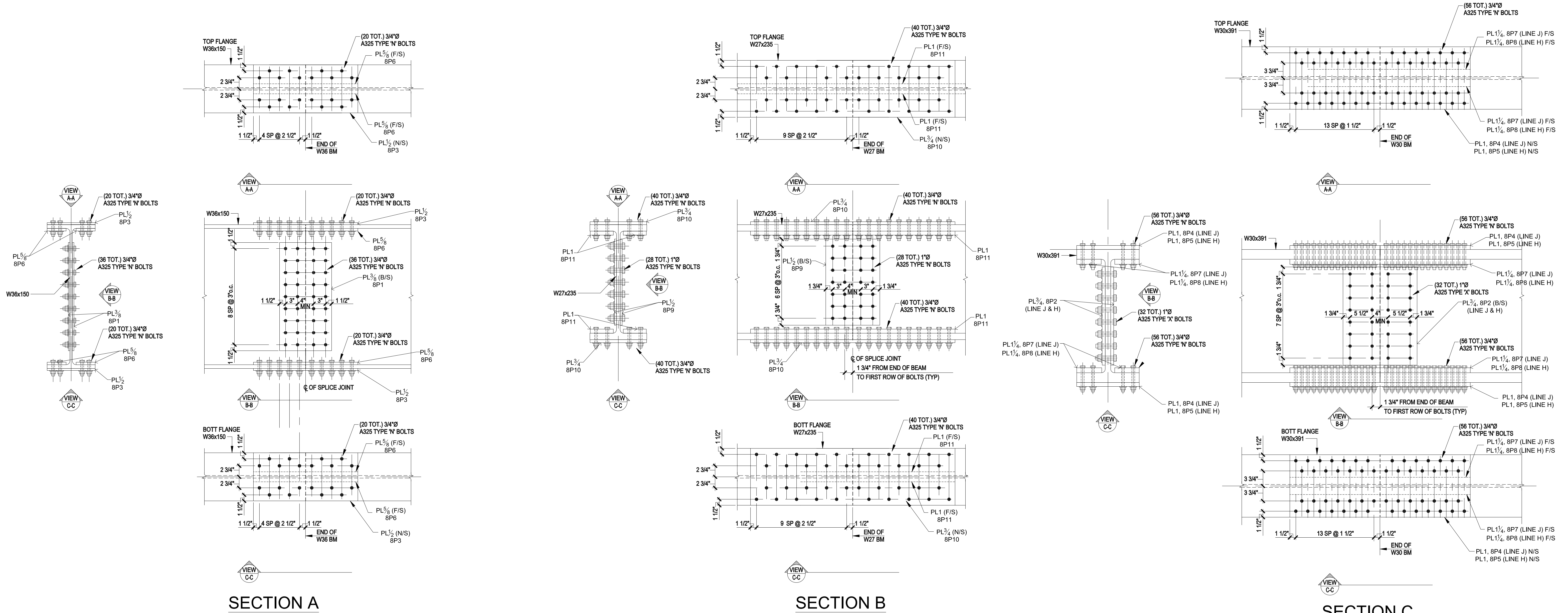


**SECTION H**  
REF. DWG. D2/S303

NOTES:  
MATERIAL: ALL STRUC. STEEL ASTM A-992,  
PLATES, ANGLES, & MISC. ASTM A-36  
HOLES: 13/16" (U.N.O.)  
BOLTS: 3/4" ASTM A325 N (U.N.O.)  
WELD: E70XX (U.N.O.)  
PAINT: ONE COAT OF SHOP PRIMER

REVISIONS				NORTHEASTERN STEEL INC.			
N°	DATE	REMARKS	PROJECT:				
			CAROUSEL CENTER				
			TITLE:				
			THEATER LEVEL SECTIONS AND DETAILS				
			ARCHITECT:				
			STRUCT. ENGN:				
			DWG BY: F.L.W.	DATE: 03/23/2012	CONTRACT:	DRAWING:	
			CHK'D BY: A.T.	DATE: 03/23/2012		E5	

DRAWINGS AS BUILT



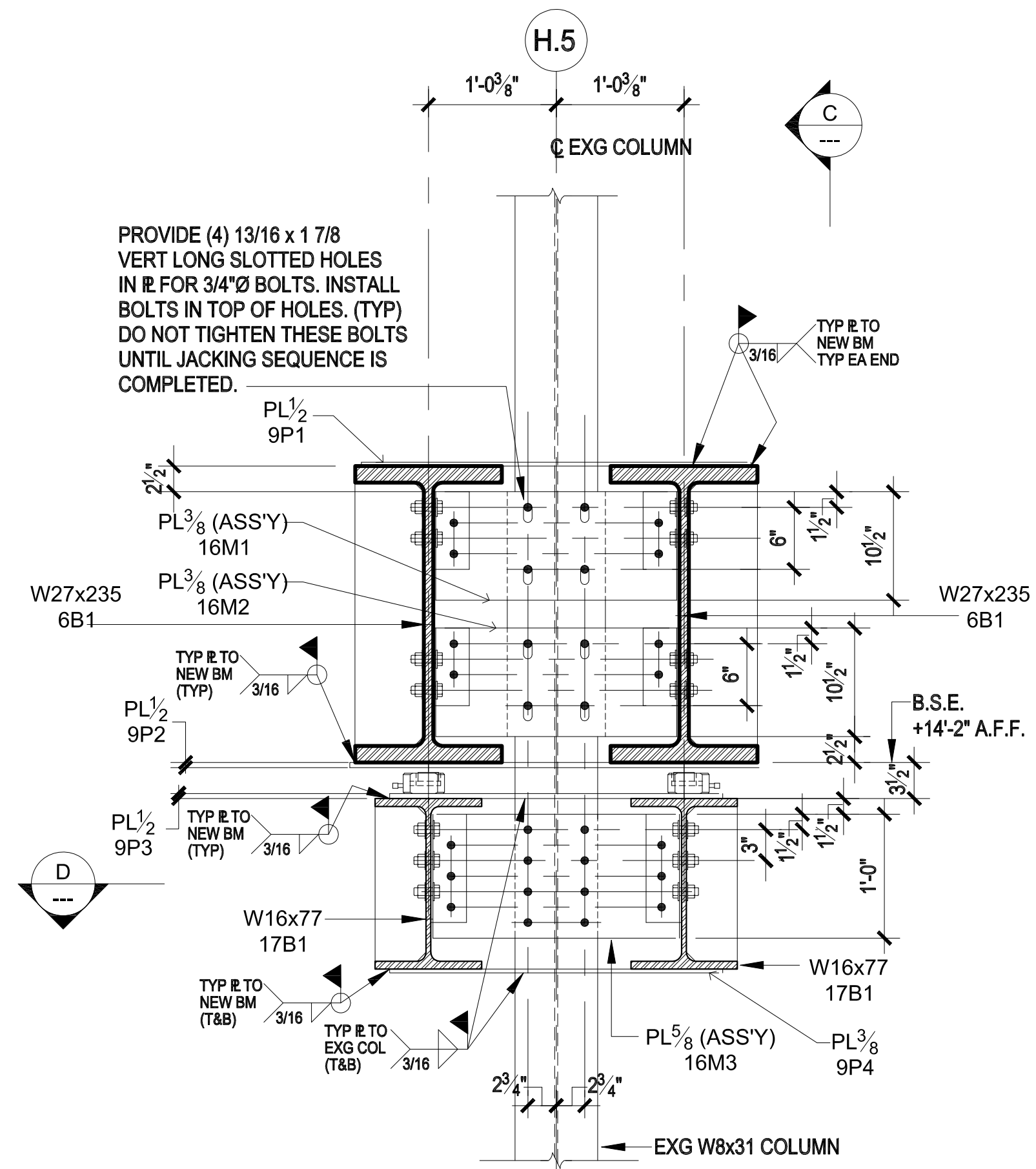
SECTION A

SECTION B

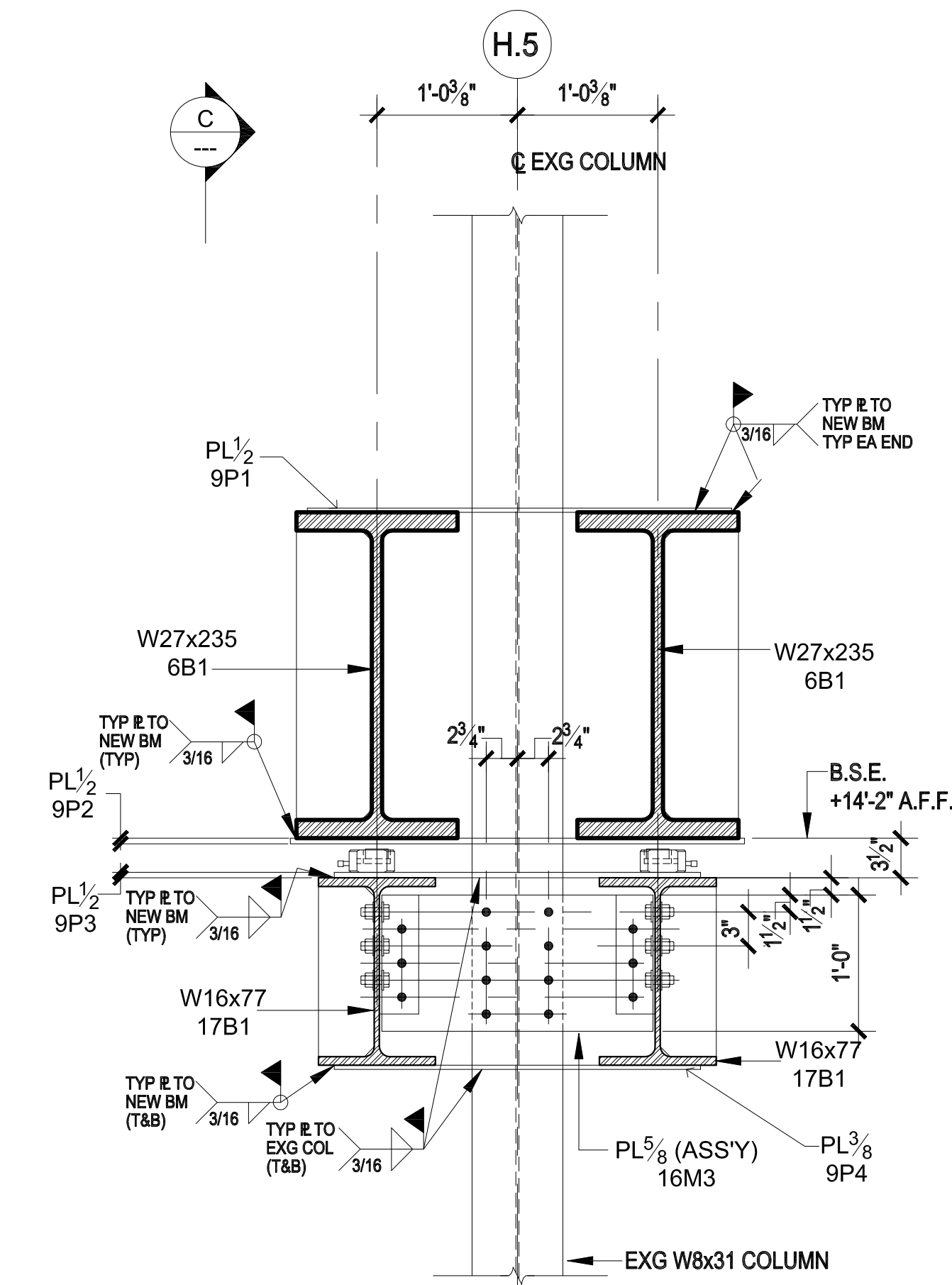
SECTION C

NOTES:  
 MATERIAL: ALL STRUC. STEEL ASTM A-992,  
 PLATES, ANGLES, & MISC. ASTM A-36  
 HOLES: 13/16" (U.N.O.)  
 BOLTS: 3/4" ASTM A325 N (U.N.O.)  
 WELD: E70XX (U.N.O.)  
 PAINT: ONE COAT OF SHOP PRIMER

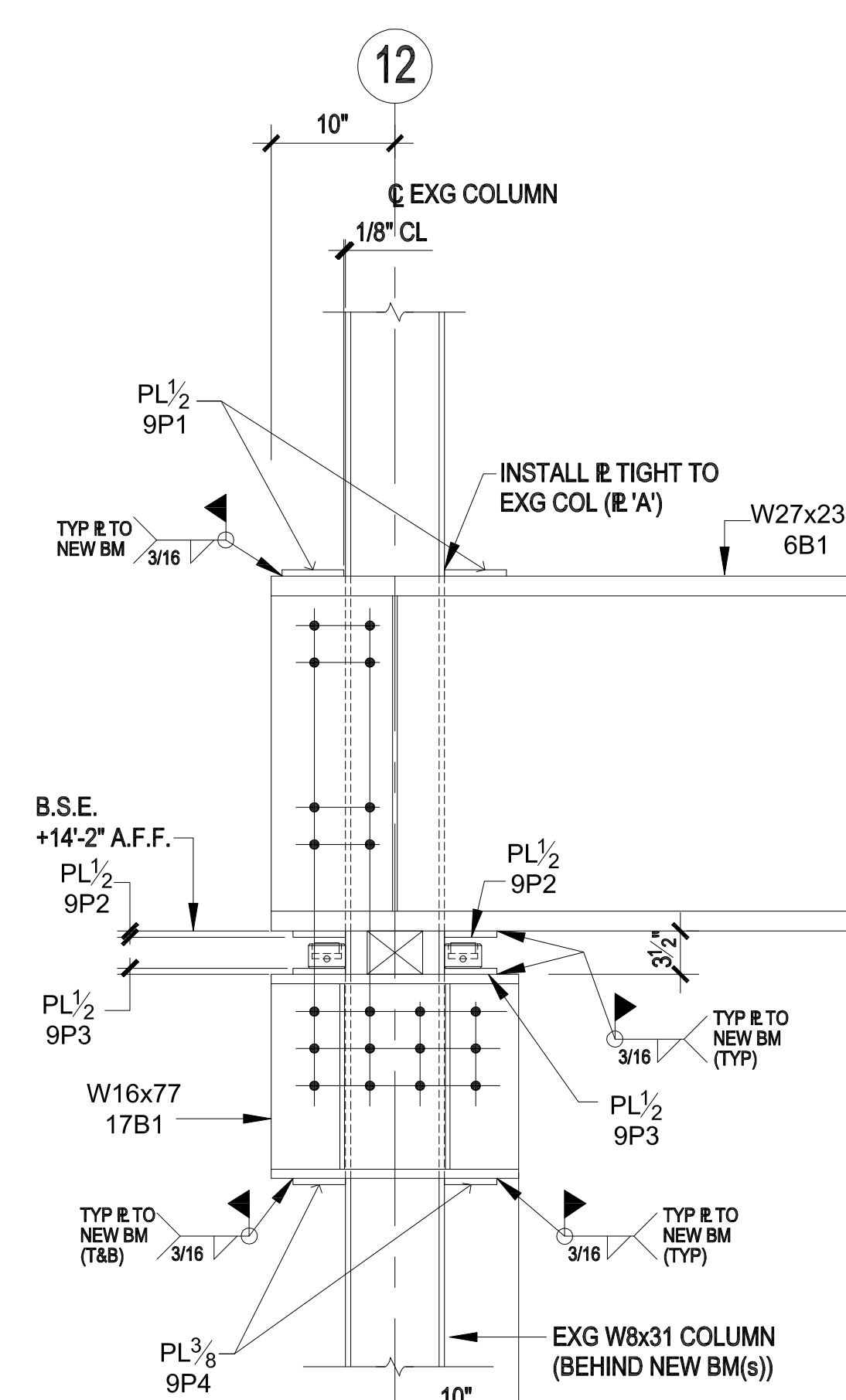
REVISIONS			NORTHEASTERN STEEL INC.	
Nº	DATE	REMARKS		
			PROJECT: CAROUSEL CENTER	
			TITLE: THEATER LEVEL SECTIONS AND DETAILS	
			ARCHITECT: STRUCT. ENG'N:	
			DWG BY: F.L.W	DATE: 03/23/2012
			CHK'D BY: A.T	DATE: 03/23/2012
			CONTRACT	DRAWING E6



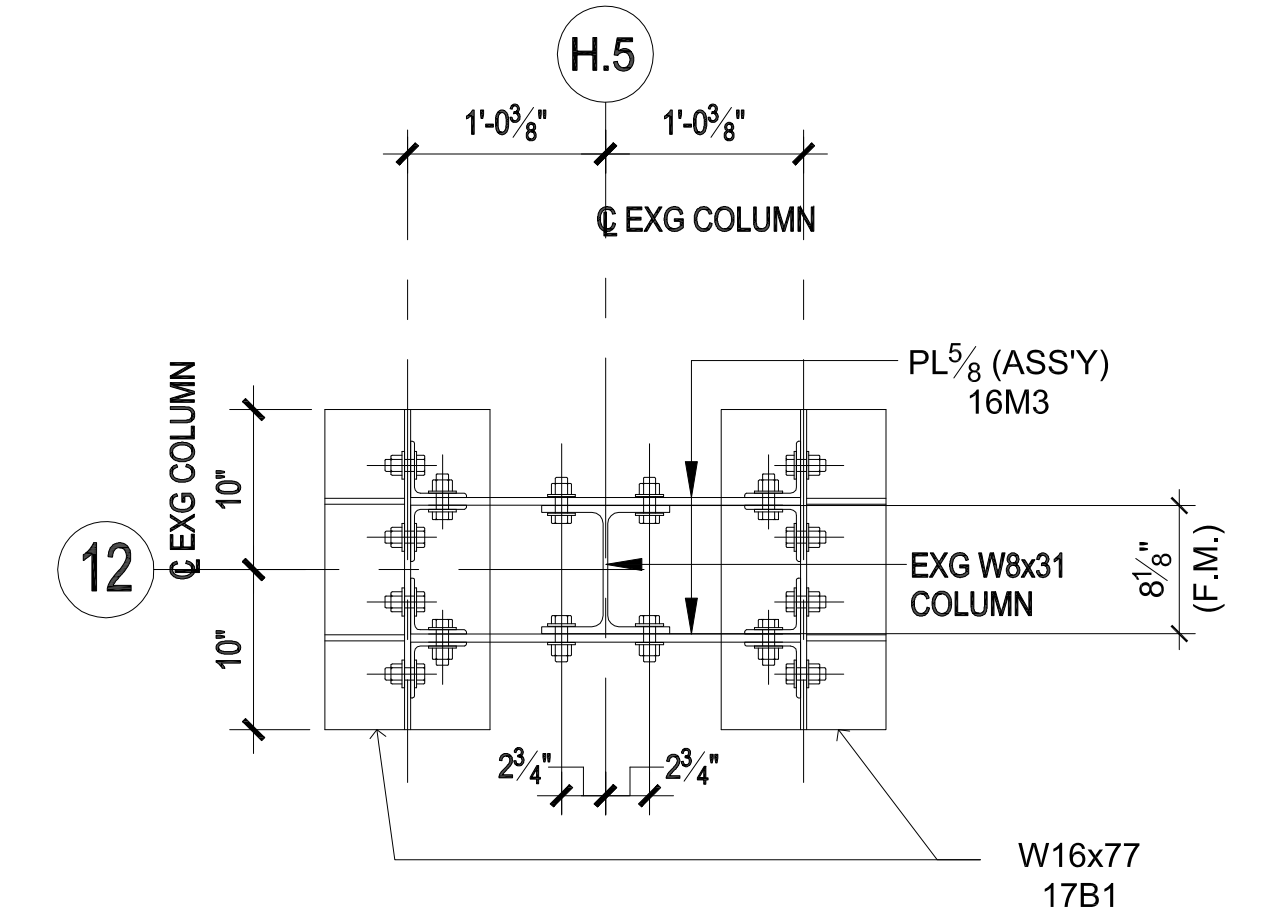
**SECTION A**  
REF. DWG. A4/S301



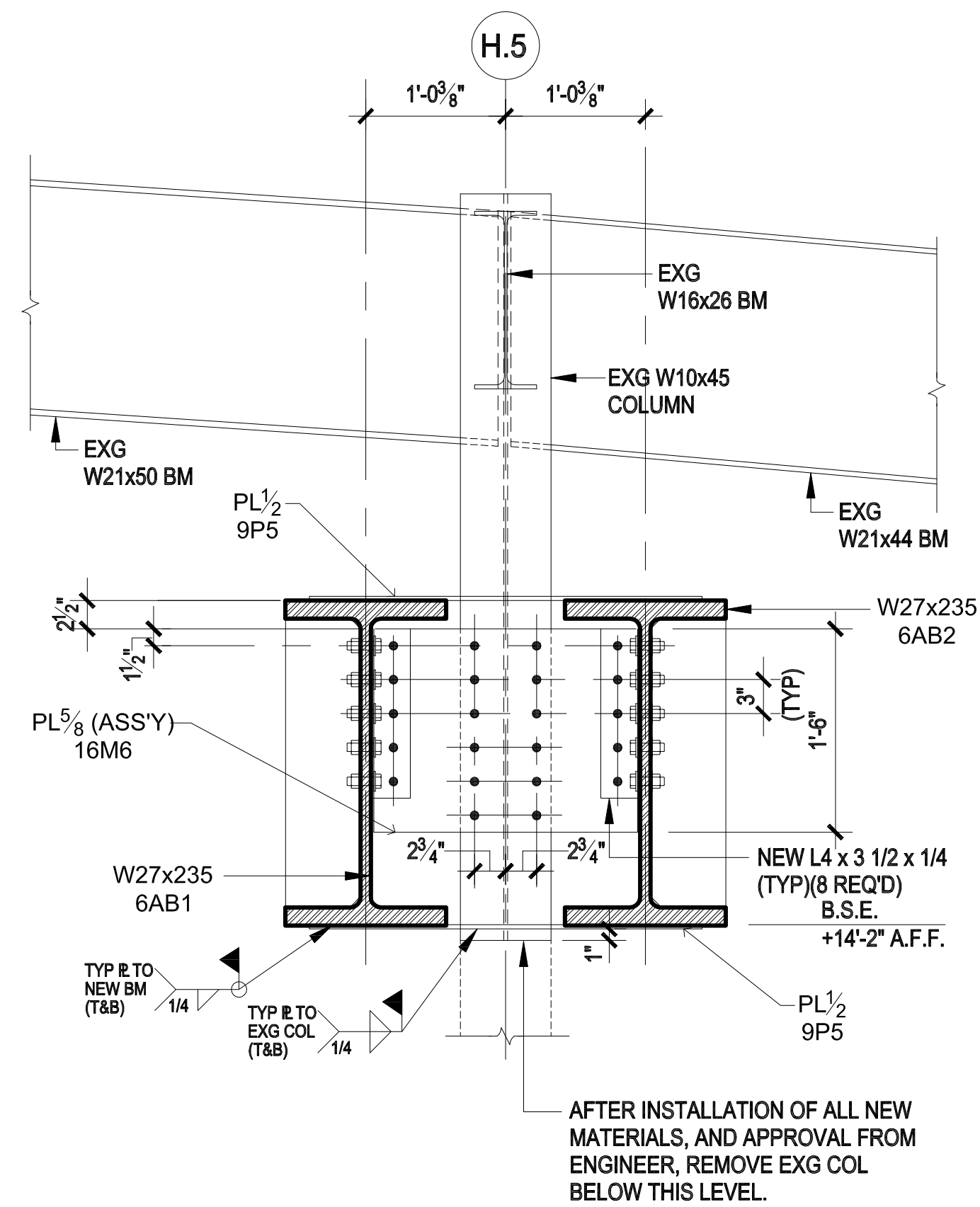
**SECTION B**  
REF. DWG. A5/S301



**SECTION C**  
REF. DWG. A6/S301



**SECTION D**  
REF. DWG. B6/S301

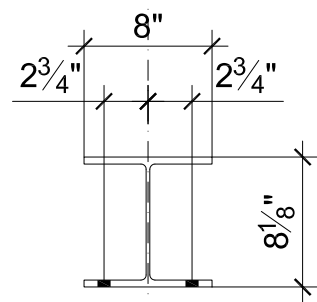


**SECTION F**  
REF. DWG. D4/S303

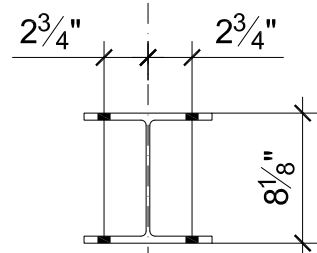
NOTES:  
MATERIAL: ALL STRUC. STEEL ASTM A-992,  
PLATES, ANGLES, & MISC. ASTM A-36  
HOLES: 13/16" (U.N.O.)  
BOLTS: 3/4" ASTM A325 N (U.N.O.)  
WELD: E70XX (U.N.O.)  
PAINT: ONE COAT OF SHOP PRIMER

REVISIONS			NORTHEASTERN STEEL INC.	
Nº	DATE	REMARKS		
			PROJECT: CAROUSEL CENTER	
			TITLE: THEATER LEVEL SECTIONS AND DETAILS	
			ARCHITECT: STRUCT. ENG'N:	
			DWG BY F.L.W	DATE: 03/23/2012
			CHK'D BY A.T	DATE: 03/23/2012
			CONTRACT	DRAWING E7

J.5



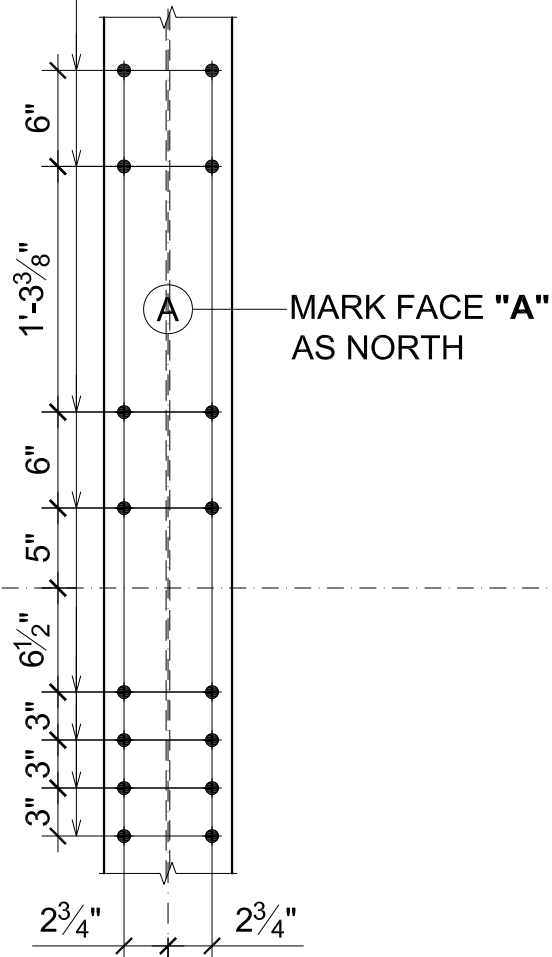
SECTION A



SECTION B

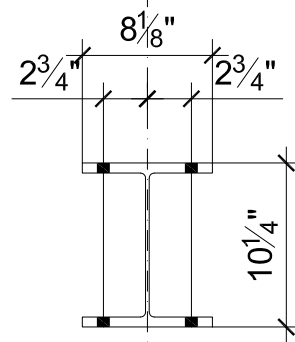
$\frac{13}{16}$  Ø

↙ A



VIEW @ GRID LINE 12

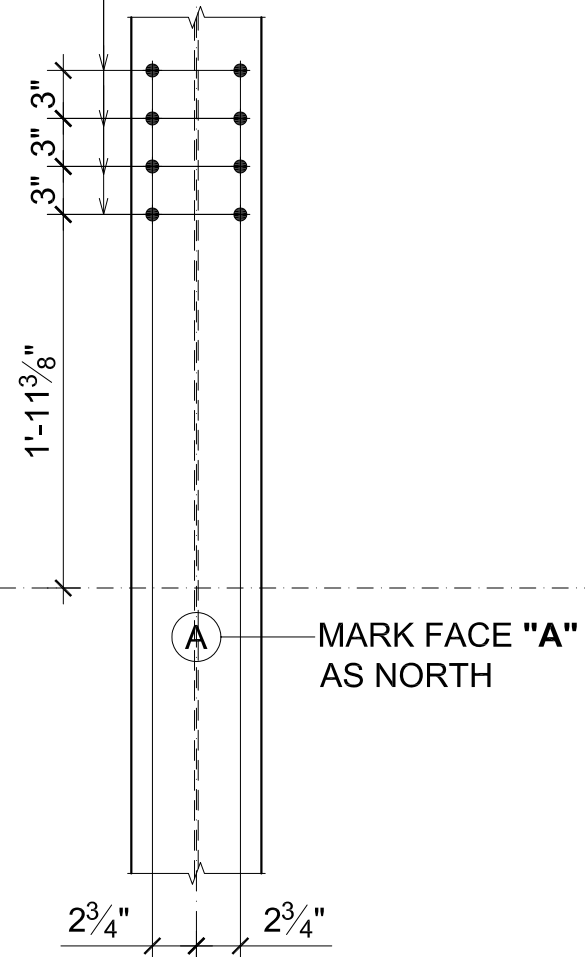
J.5



SECTION C

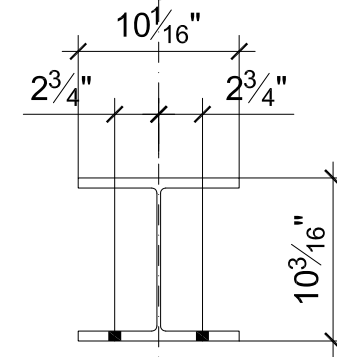
$\frac{13}{16}$  Ø

↙ C

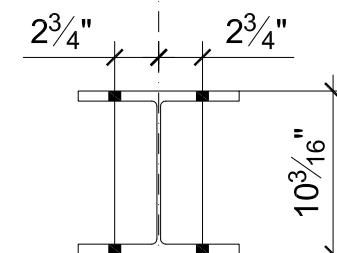


VIEW @ GRID LINE 13

J.5



SECTION D



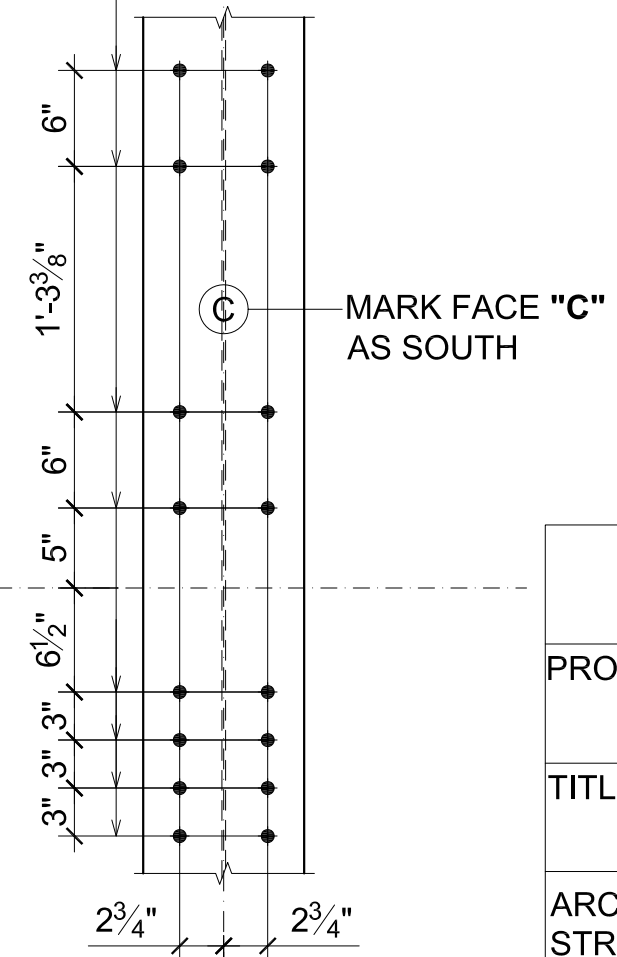
SECTION E

$\frac{13}{16}$  Ø

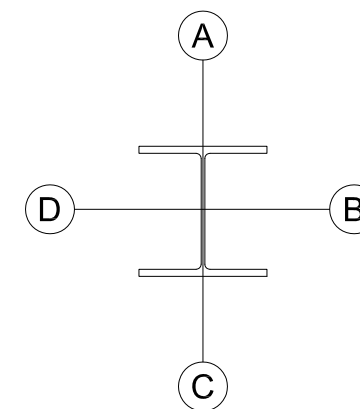
↙ D

↙ D

↙ E



VIEW @ GRID LINE 14



**NORTHEASTERN STEEL INC.**

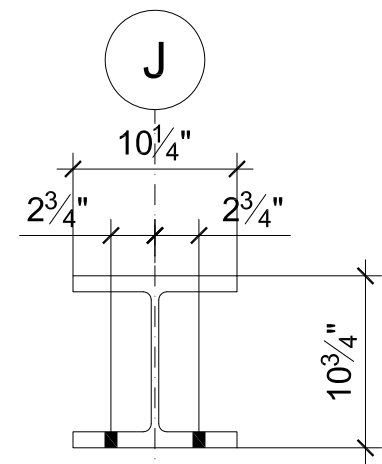
PROJECT:  
CAROUSEL CENTER

TITLE:  
FIELD HOLES FOR COLUMNS @ LINE J.5

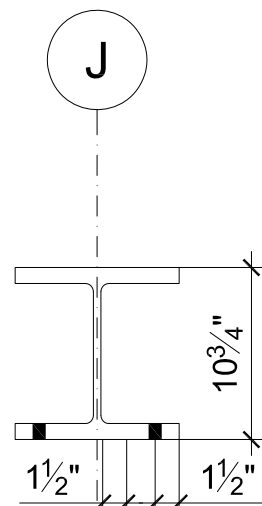
ARCHITECT:  
STRUCT. ENGN:

DWG BY A.T.	CHK'D BY L.A.	DATE: 04/09/2012	DRAWING E8
----------------	------------------	---------------------	---------------

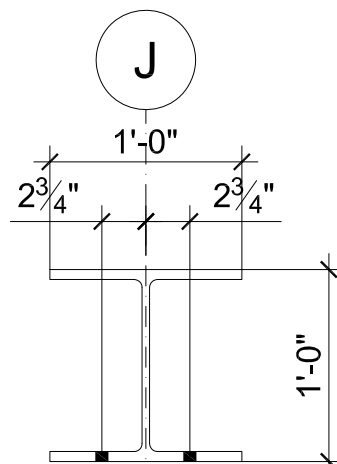




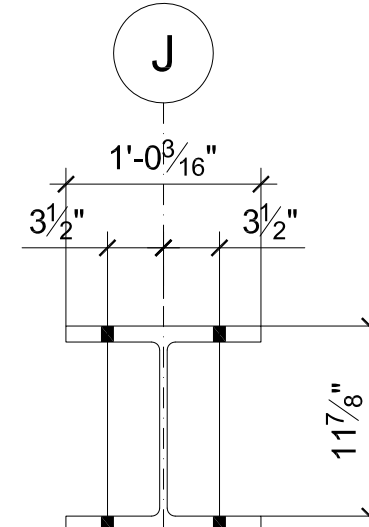
SECTION A



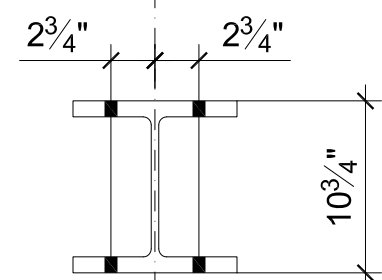
SECTION F



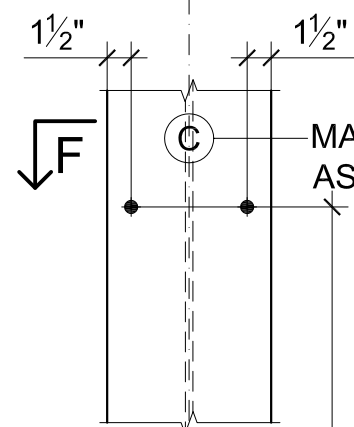
SECTION D



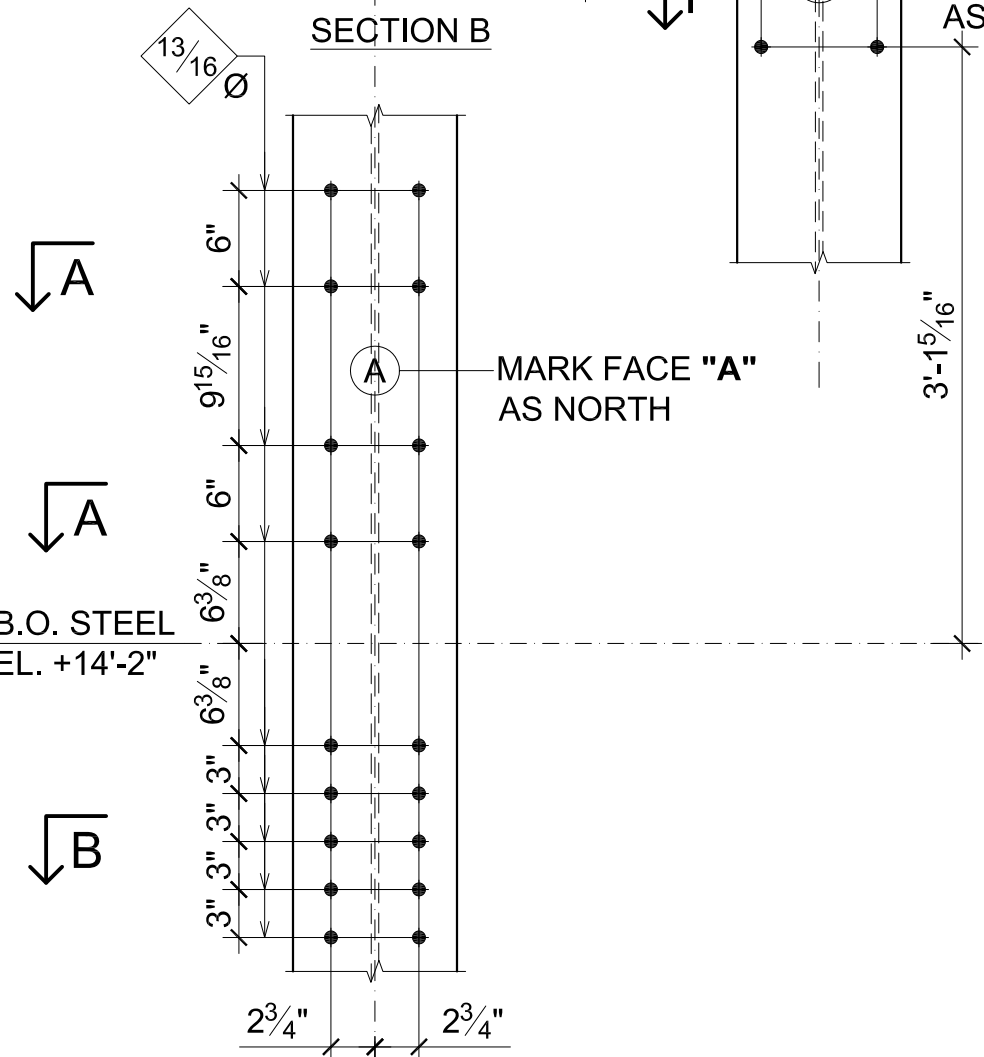
SECTION C



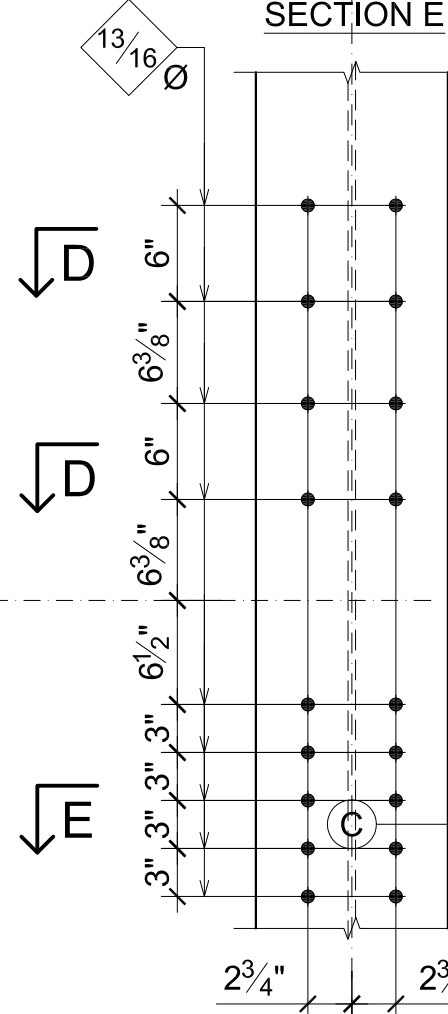
SECTION B



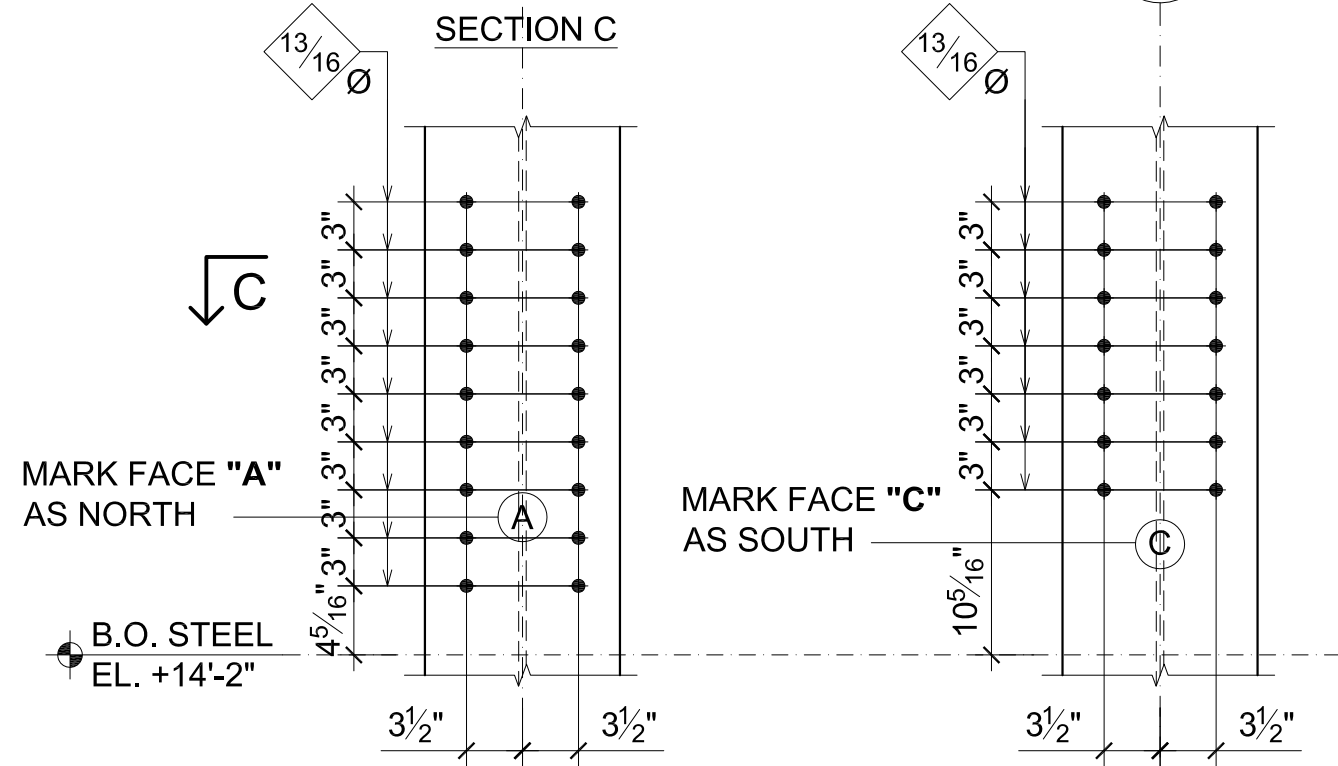
SECTION E



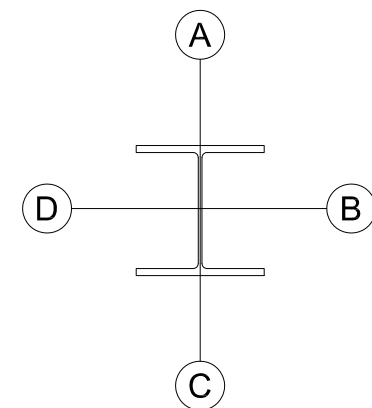
VIEW @ GRID LINE 12



VIEW @ GRID LINE 14



VIEW @ GRID LINE 13

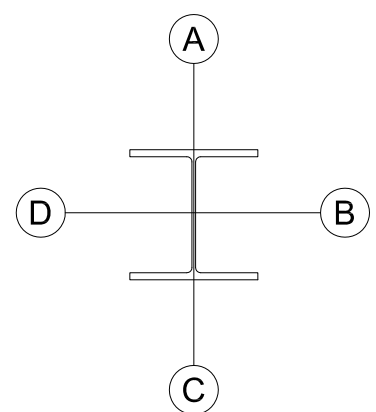
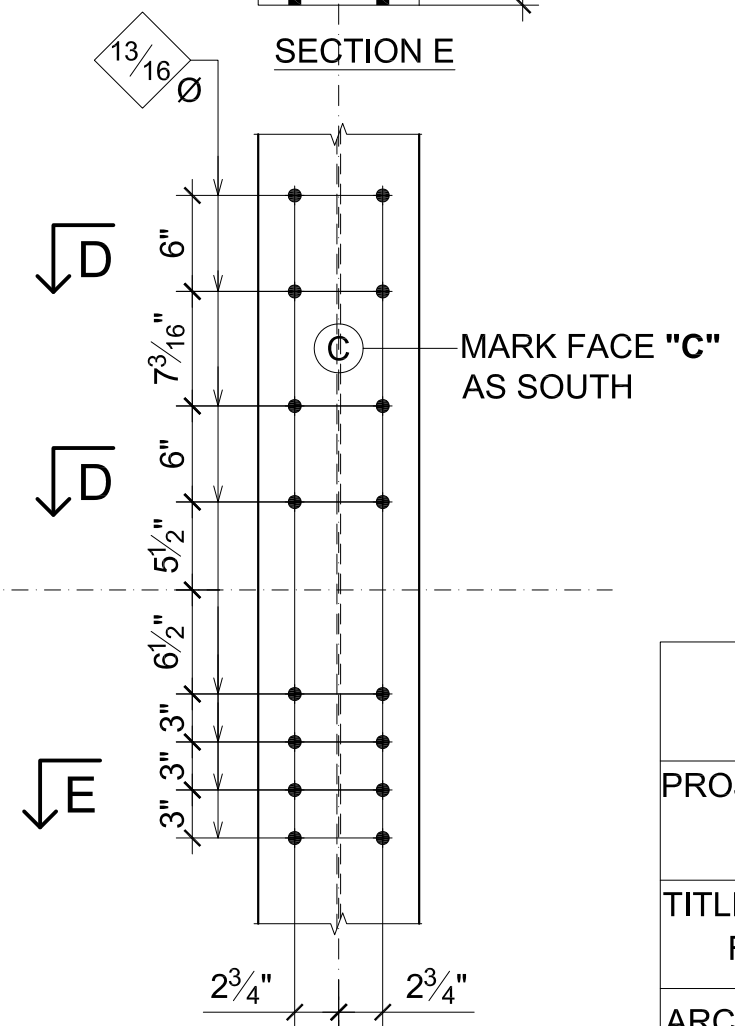
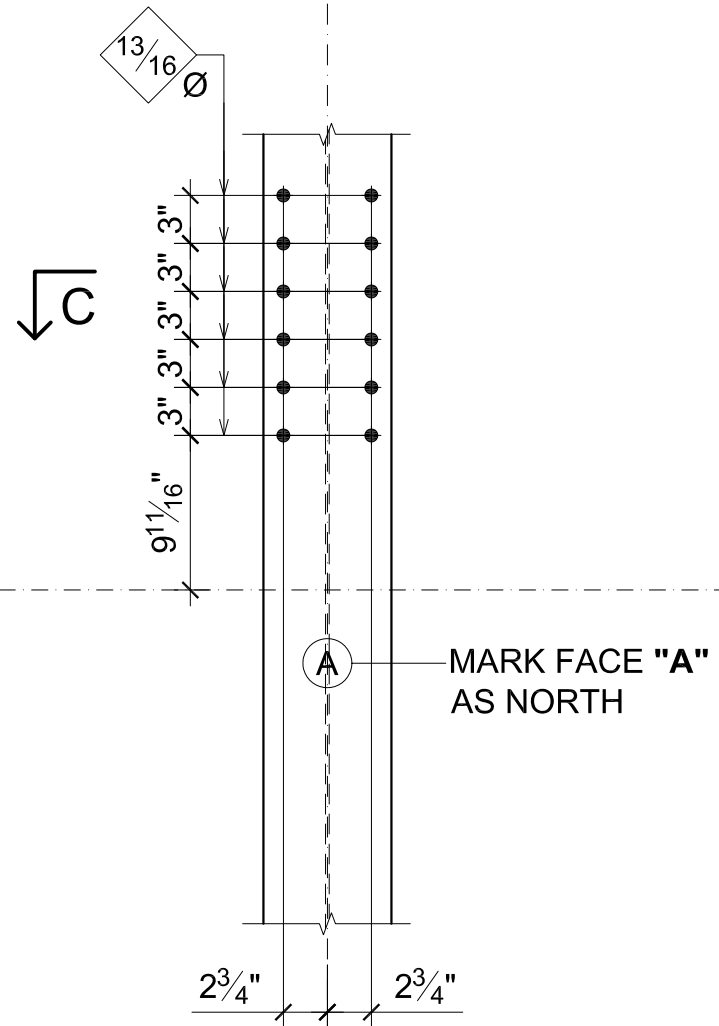
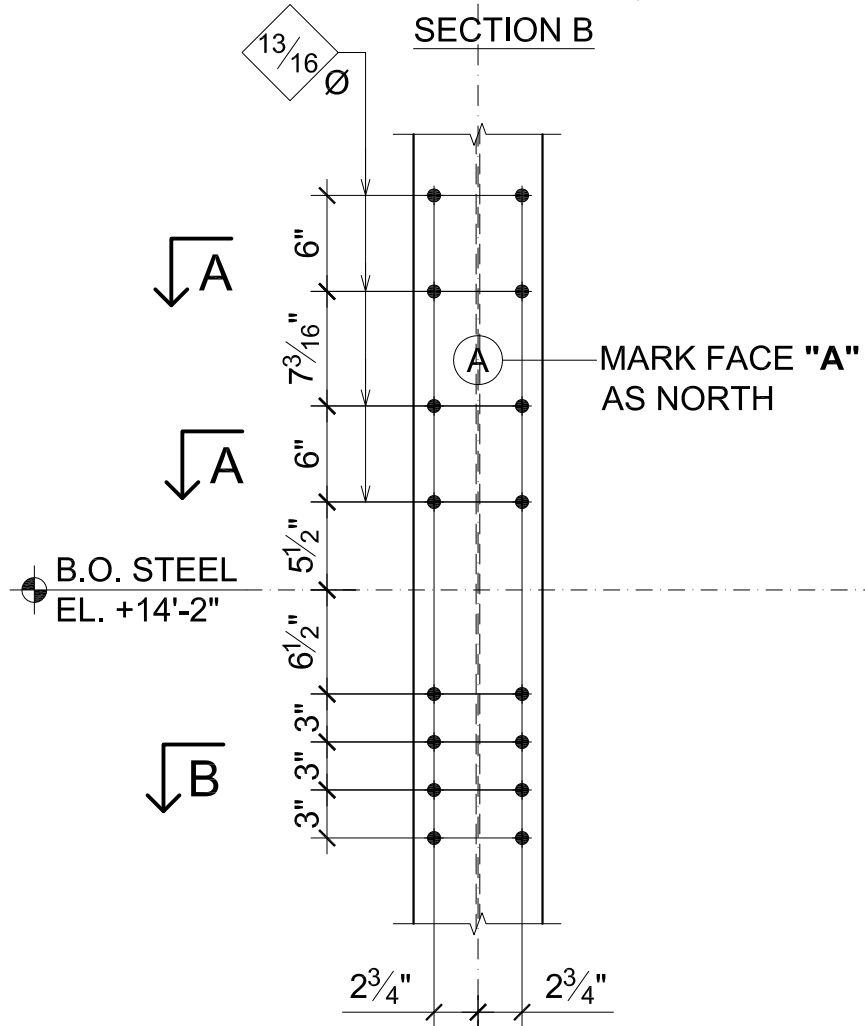
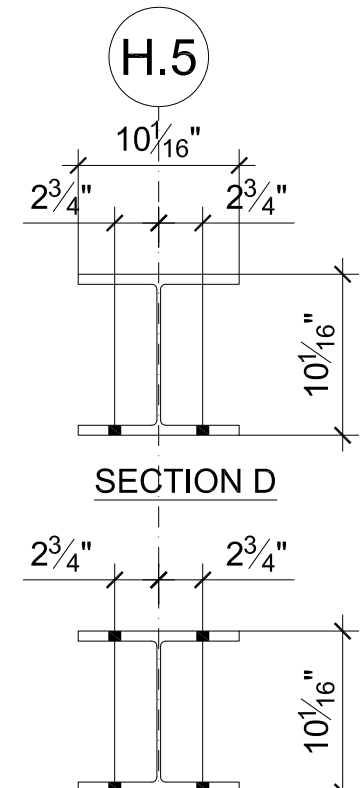
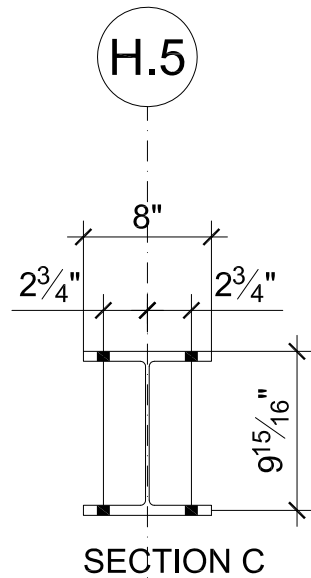
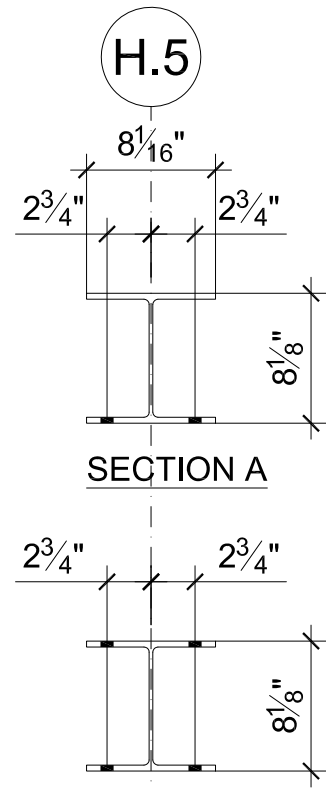


**NORTHEASTERN STEEL INC.**

PROJECT:  
**CAROUSEL CENTER**

TITLE:  
**FIELD HOLES FOR COLUMNS @ LINE J**

ARCHITECT:	STRUCT. ENGN':	DWG BY A.T.	CHK'D BY L.A.	DATE: 04/09/2012	DRAWING E9
------------	----------------	----------------	------------------	---------------------	---------------

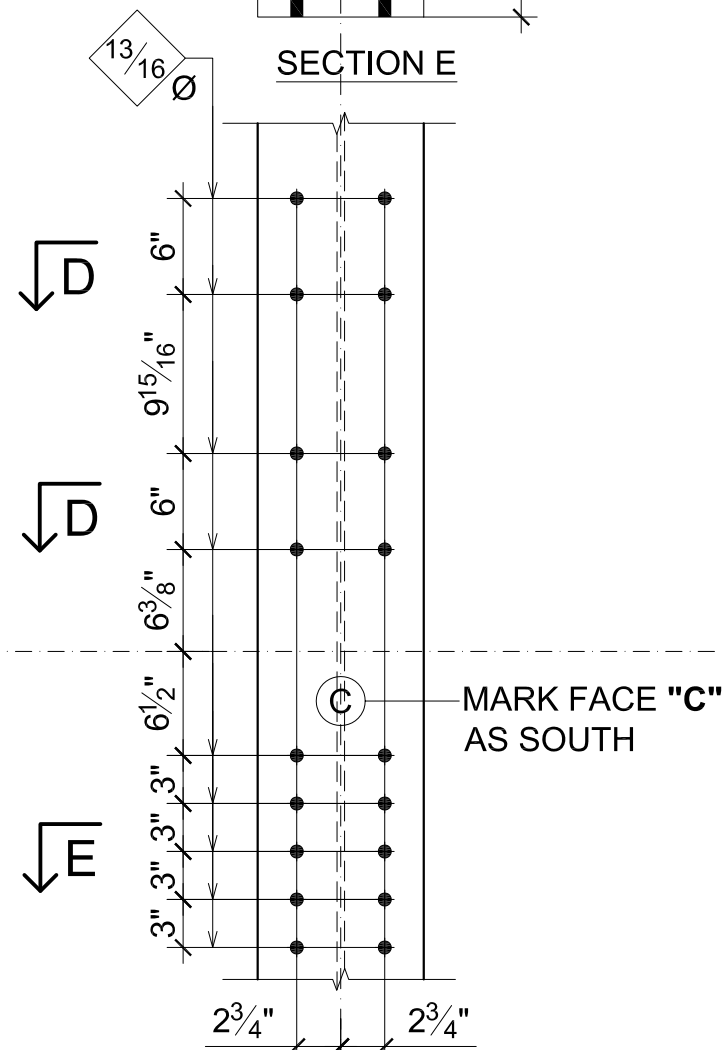
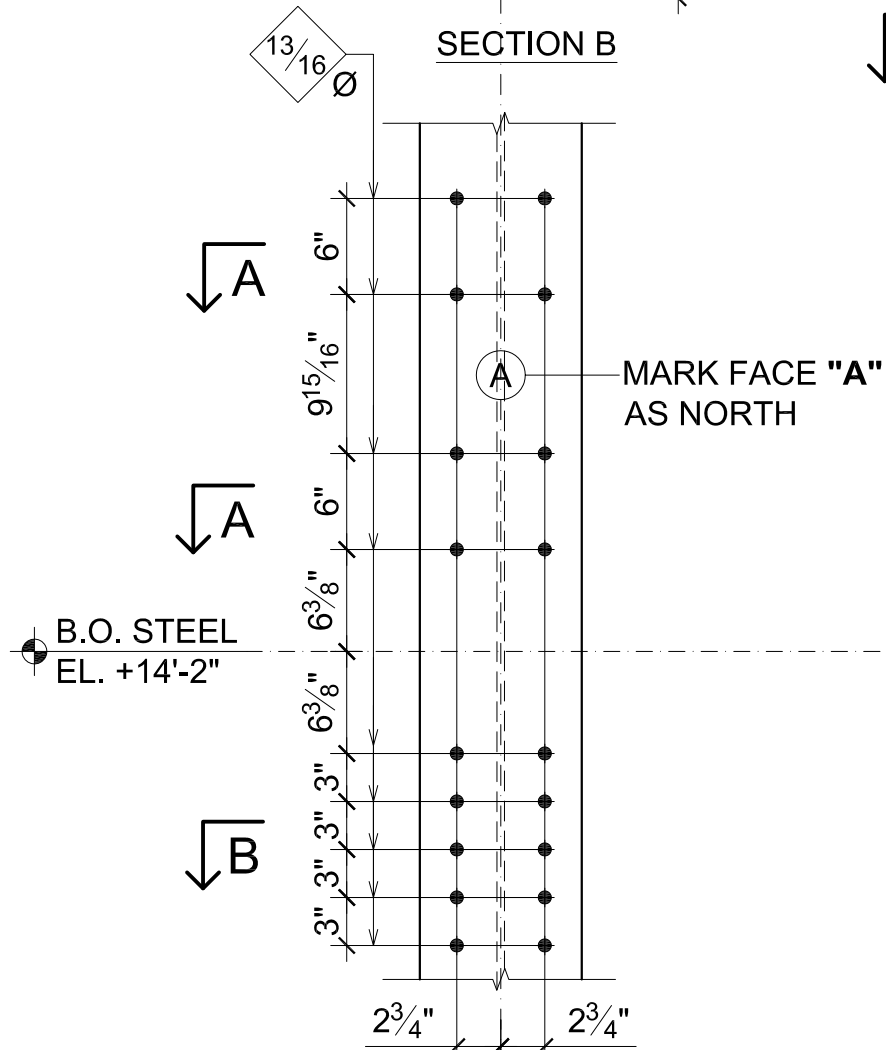
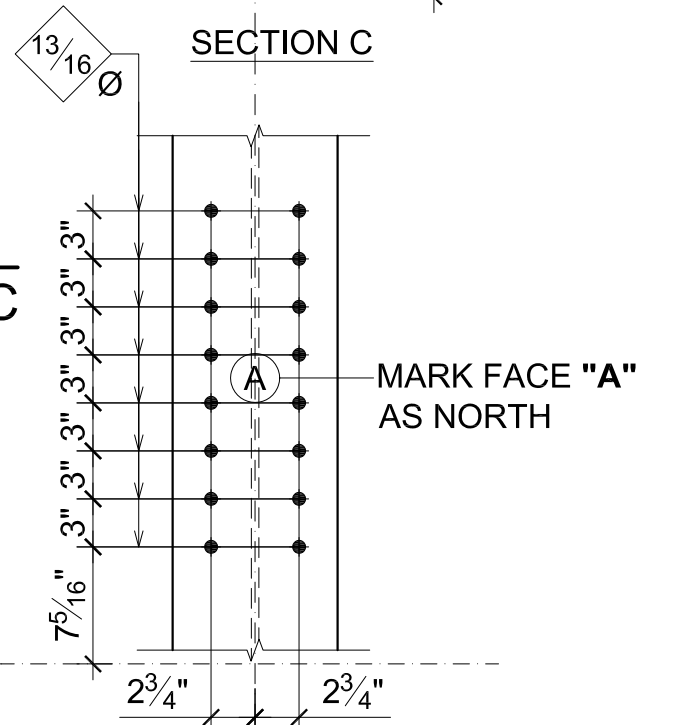
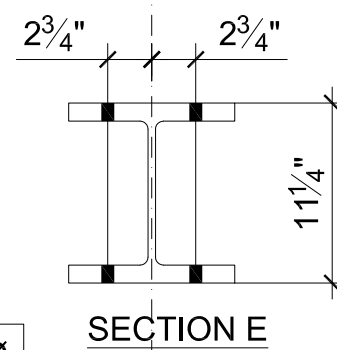
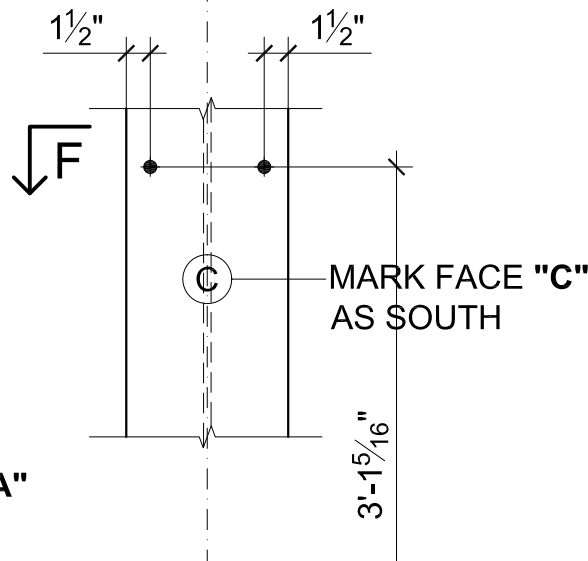
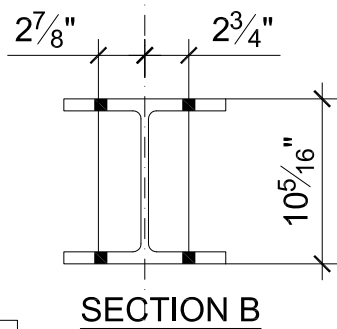
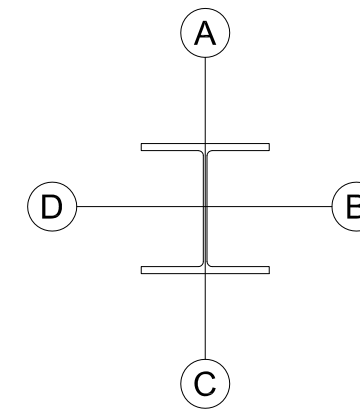
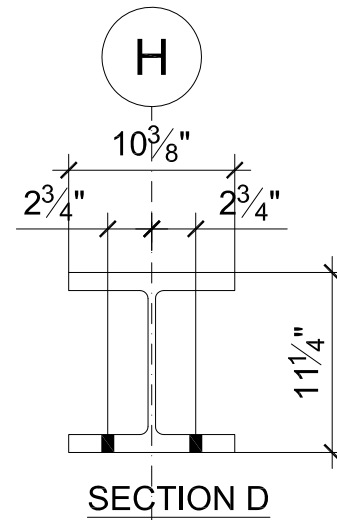
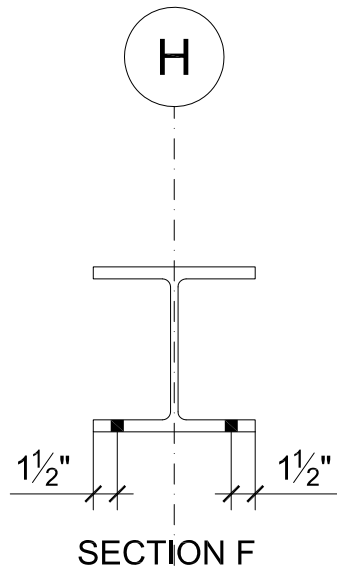
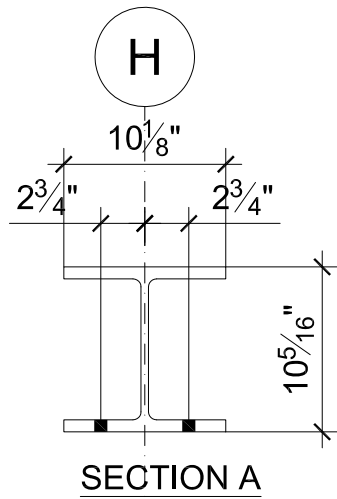


VIEW @ GRID LINE 12

VIEW @ GRID LINE 13

VIEW @ GRID LINE 14

<b>NORTHEASTERN STEEL INC.</b>			
PROJECT: <b>CAROUSEL CENTER</b>			
TITLE: FIELD HOLES FOR COLUMNS @ LINE H.5			
ARCHITECT: STRUCT. ENGN:			
DWG BY A.T.	CHK'D BY L.A.	DATE: 04/09/2012	DRAWING E10



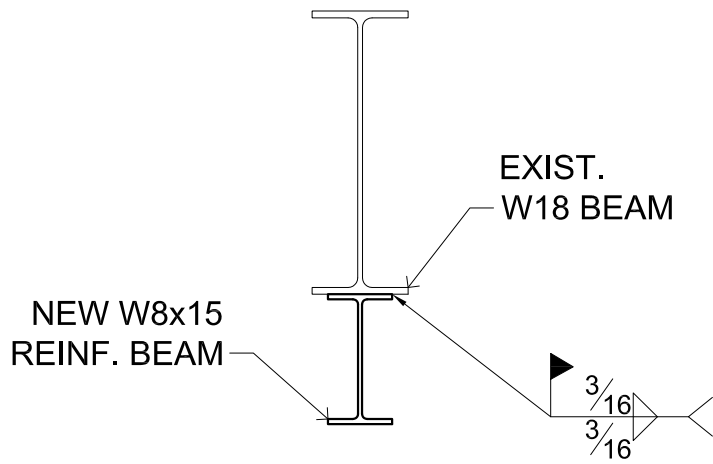
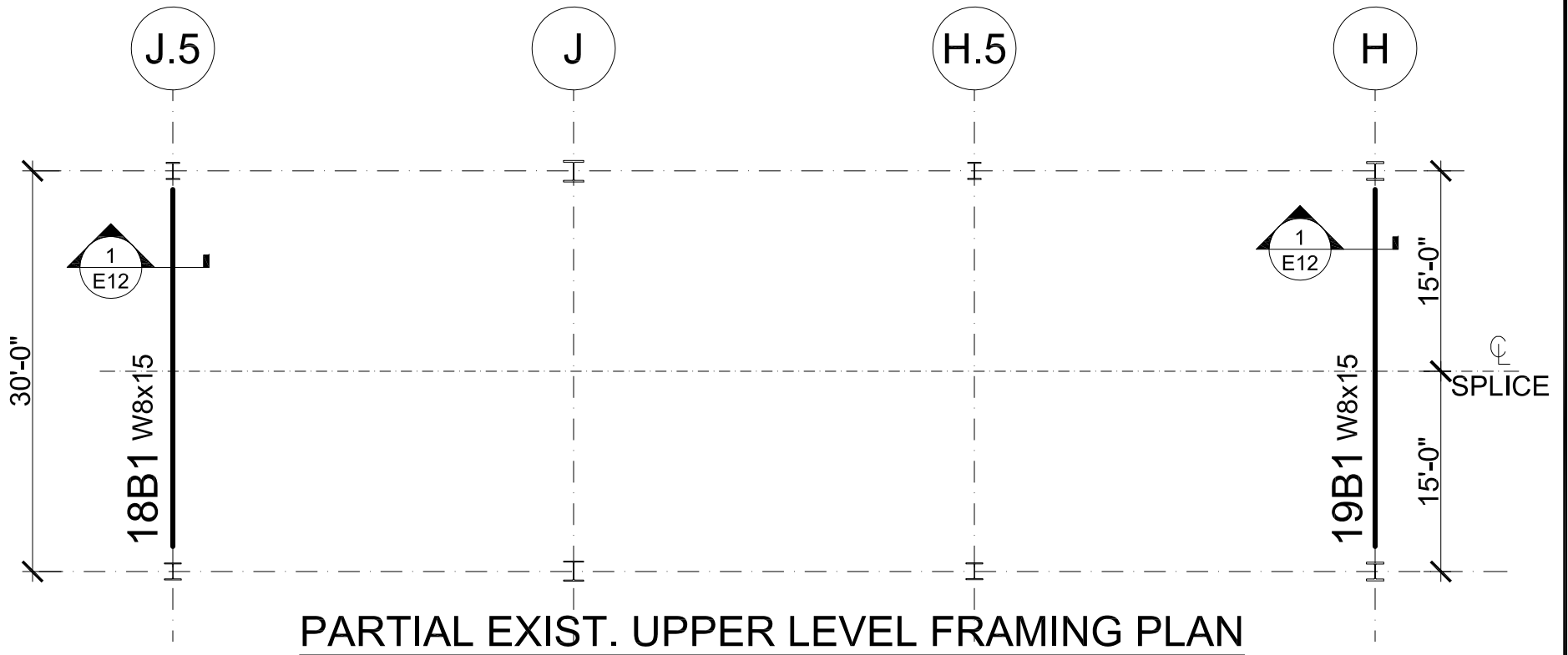
**NORTHEASTERN STEEL INC.**

PROJECT:  
CAROUSEL CENTER

TITLE:  
FIELD HOLES FOR COLUMNS @ LINE H

ARCHITECT:  
STRUCT. ENGN:

DWG BY A.T.	CHK'D BY L.A.	DATE: 04/09/2012	DRAWING E11
----------------	------------------	---------------------	----------------



<b>NORTHEASTERN STEEL INC.</b>			
PROJECT: CAROUSEL CENTER			
TITLE: BEAMS REINFORCEMENT			
ARCHITECT: STRUCT. ENG'N:			
DWG BY A.T.	CHK'D BY L.A.	DATE: 04/27/2012	DRAWING E12