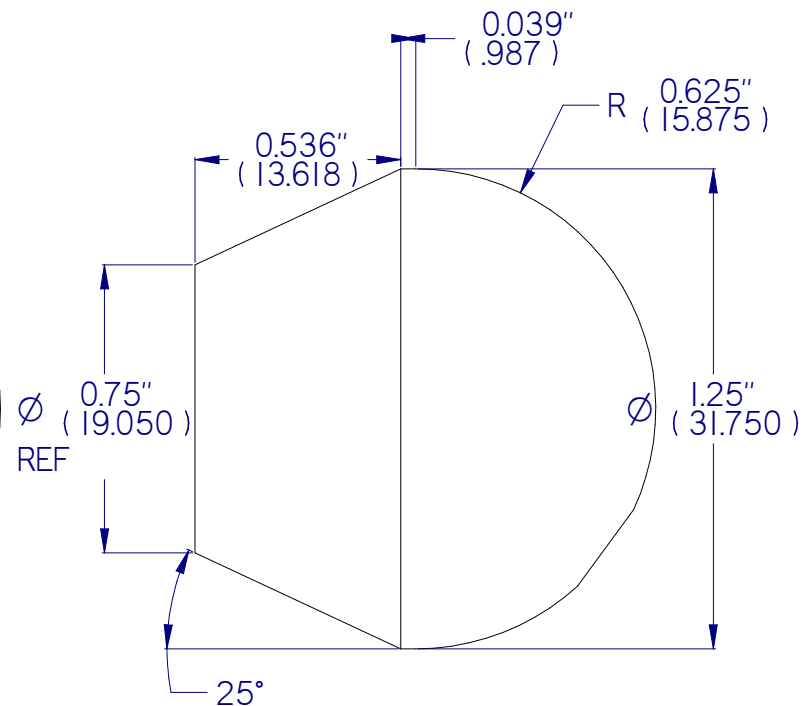
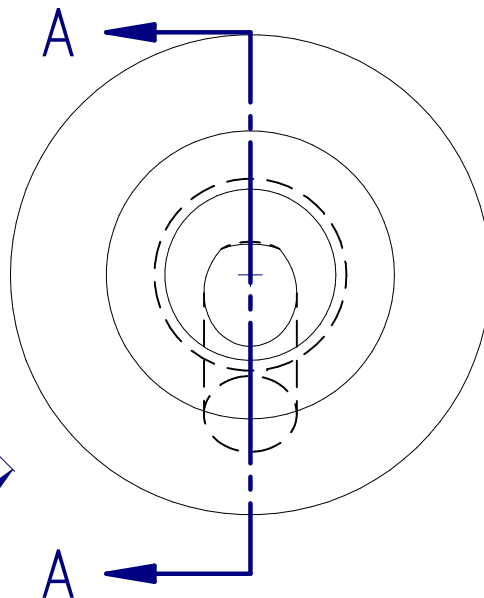


SECTION A-A



DIMENSIONS ARE IN
INCH
UNLESS OTHERWISE
SPECIFIED

MATERIAL Aluminum, 7075-T6

CONDITION

FINISH

TOLERANCES ± 0.004 " ON LENGTHS, ± 0.002 " ON DIAMETERS, $+0.002$ "- 0.000 " REAMED HOLES,
 $+0.004$ "- 0.000 " DRILLED HOLES, $\pm 0.5^\circ$ ON ANGLES UNLESS NOTED OTHERWISE

TREATMENT

PROCESS

DWG NO.

DRAWING

Handle REV F

F	4/28/18	RA	CHANGE DIA FORM I.063"
REV	DATE	BY	DESCRIPTION
DRAFT FILE CREATED: 4/28/2018 LAST SAVED 4/28/2018			
DRAWN		YAHN GRAY	APPROVED RICK ALEXANDER

REV.	SHEET
F	QC