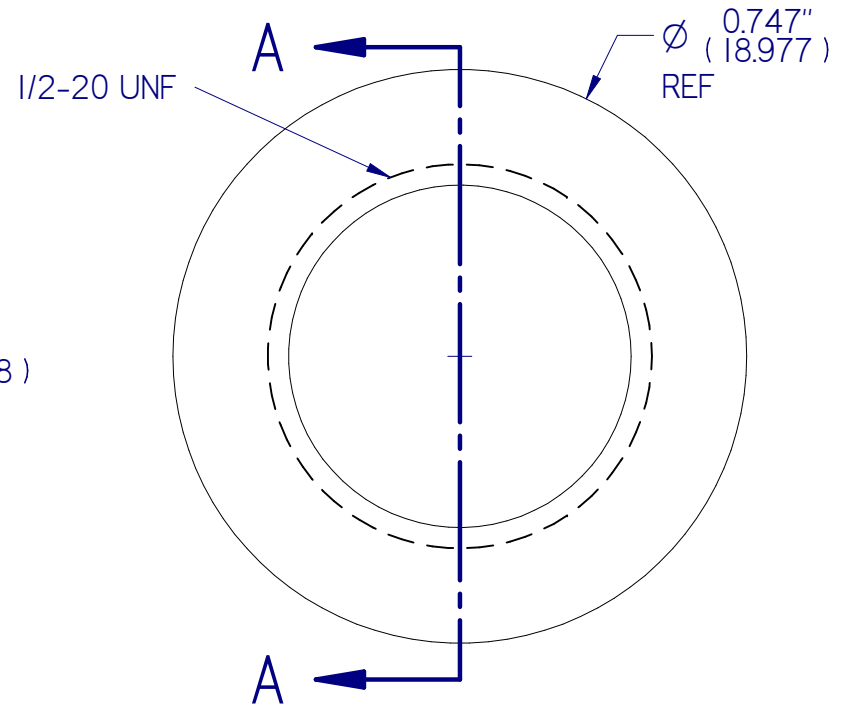


SECTION A-A



MATERIAL Stainless Steel, 304

CONDITION

FINISH

TOLERANCES $\pm 0.004''$ ON LENGTHS, $\pm 0.002''$ ON DIAMETERS, $\pm 0.002''-0.000''$ REAMED HOLES, $\pm 0.004''-0.000''$ DRILLED HOLES, $\pm 0.5^\circ$ ON ANGLES UNLESS NOTED OTHERWISE

TREATMENT

PROCESS

DWG NO.

Jam Nut

DRAWING

Jam Nut

DIMENSIONS ARE IN INCHES UNLESS OTHERWISE SPECIFIED

REV	DATE	BY	DESCRIPTION
			DRAFT FILE CREATED: 4/27/2018
			LAST SAVED 4/27/2018
DRAWNYAHN GRAY		APPROVED RICK ALEXANDER	

REV.	SHEET
E	QC