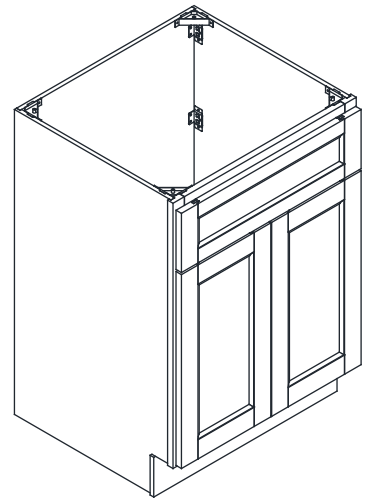


AURAFINA®

THE CABINETRY & BATH COLLECTIONS

VANITY CABINET ASSEMBLY GUIDE

Item No: V2421



WELCOME TO AURAFINA READY-TO-ASSEMBLE VANITIES

Thank you for purchasing an AURAFINA ready to assemble vanity. You are on your way to a beautiful, new bathroom vanity. There are a few simple tools necessary, and some set up of your preparation area before you get started.

Our vanities go together easily, but you may want to ask a friend for assistance when putting together larger vanities. One of you can align the components while the other screws them together. Once you get going, assembly gets easier as you improve your learning curve! By assembling your own vanity, you are saving the thousands that companies charge for "semi-custom" vanities.

STEP 1 PREPARE VANITY FOR ASSEMBLY

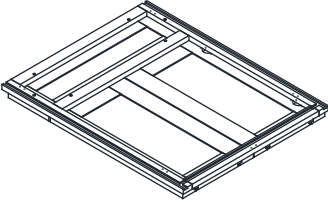
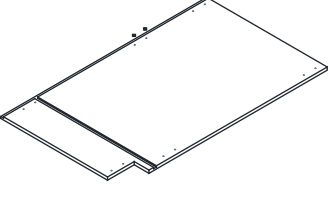
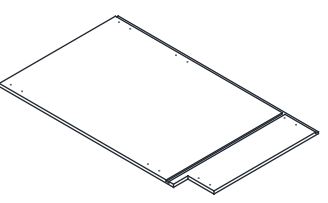
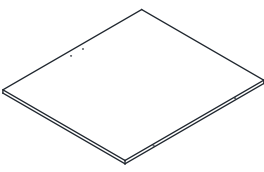
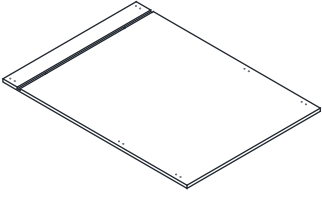
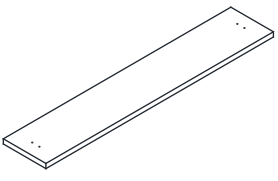
TOOLS: Phillips Head screw driver, flat head screw driver, cordless electric drill with the flat and Phillips attachment bits (not necessary, but is a time saver). and rubber mallet.

PREP: A dirt free carpet or the foam sheets and cardboard from your cabinet will provide you with a scratch free cushioned work area. To save your back, working at table height is always a good idea.

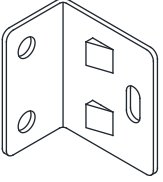
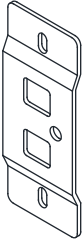
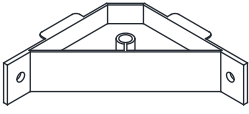
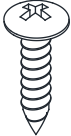
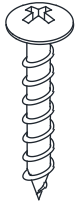
Unpack your AURAFINA vanity components and spread out the panels on your smooth prep surface. Keep tools and the package of hardware screws, brackets, etc close by, but not under any of the panels. Vanities ship with the hinges already secured to the door frame faces, making installation quicker. We pre-mark all screwholes for easy acceptance of our hardware. All hardware, mounting brackets, shelves, drawer pulls and screws (plus extra) are provided. Hardware is packaged separate from the cabinet panels so there is no damage. Dovetailed drawers can be tapped together with a rubber mallet.



PARTS LIST

<p>A</p> 	<p>B</p> 	<p>C</p> 	<p>D</p> 
<p>Front Frame 1 pc</p>	<p>Right Side 1 pc</p>	<p>Left Side 1 pc</p>	<p>Bottom Panel 1 pc</p>
<p>E</p> 	<p>F</p> 		
<p>Back Panel 1 pc</p>	<p>Toe Tick 1 pc</p>		

HARDWARE LIST

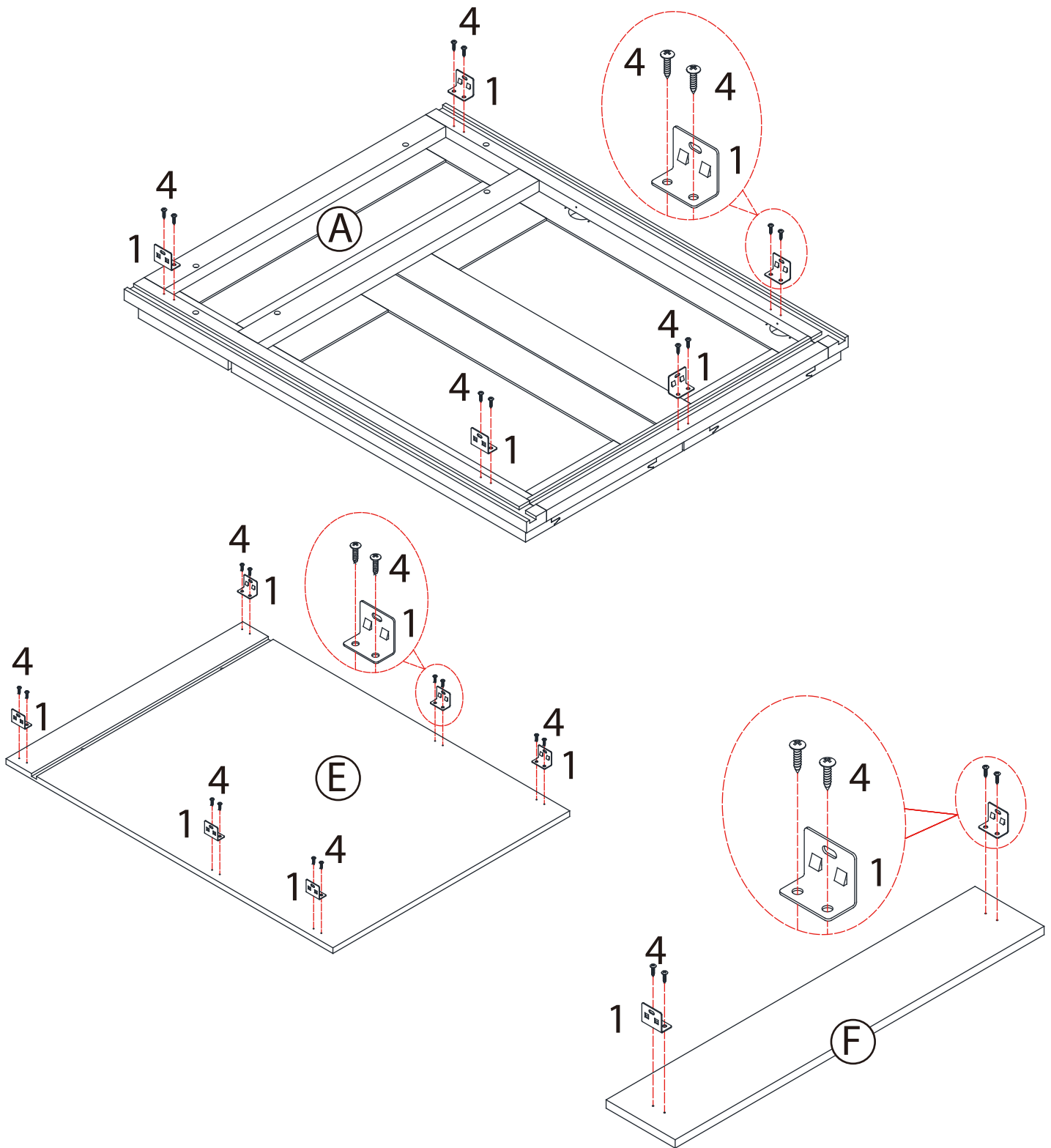
<p>1</p> 	<p>2</p> 	<p>3</p> 	<p>4</p>  <p>3 x 12mm</p>
<p>Male Bracket 13 pcs</p>	<p>Female Bracket 13 pcs</p>	<p>Plastic Bracket 4 pcs</p>	<p>Round Head Screw 73 pcs</p>
<p>5</p>  <p>3 x 25mm</p>			
<p>Round Head Screw 2 pcs</p>			



STEP 2 PREPARE VANITY FOR ASSEMBLY

Place front frame (A) and back panel (E) and toe tick (F) upside down on a smooth, flat surface to avoid any scratches.

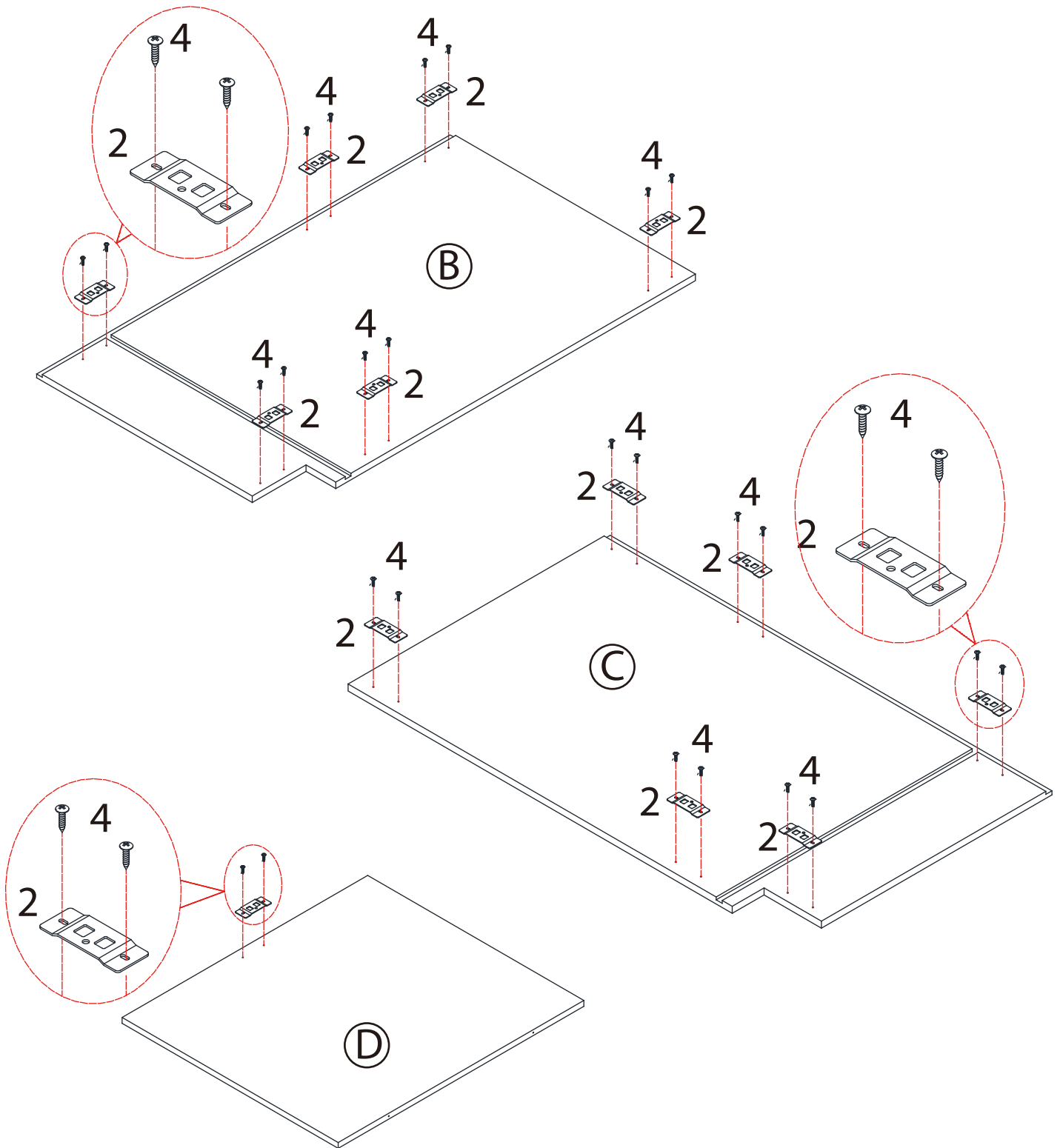
Attach the male bracket (1) to front frame (A) and back panel (E) and toe tick (F) using round head screws (4) and screw driver (not included) to Fasten.



STEP 3 PREPARE VANITY FOR ASSEMBLY

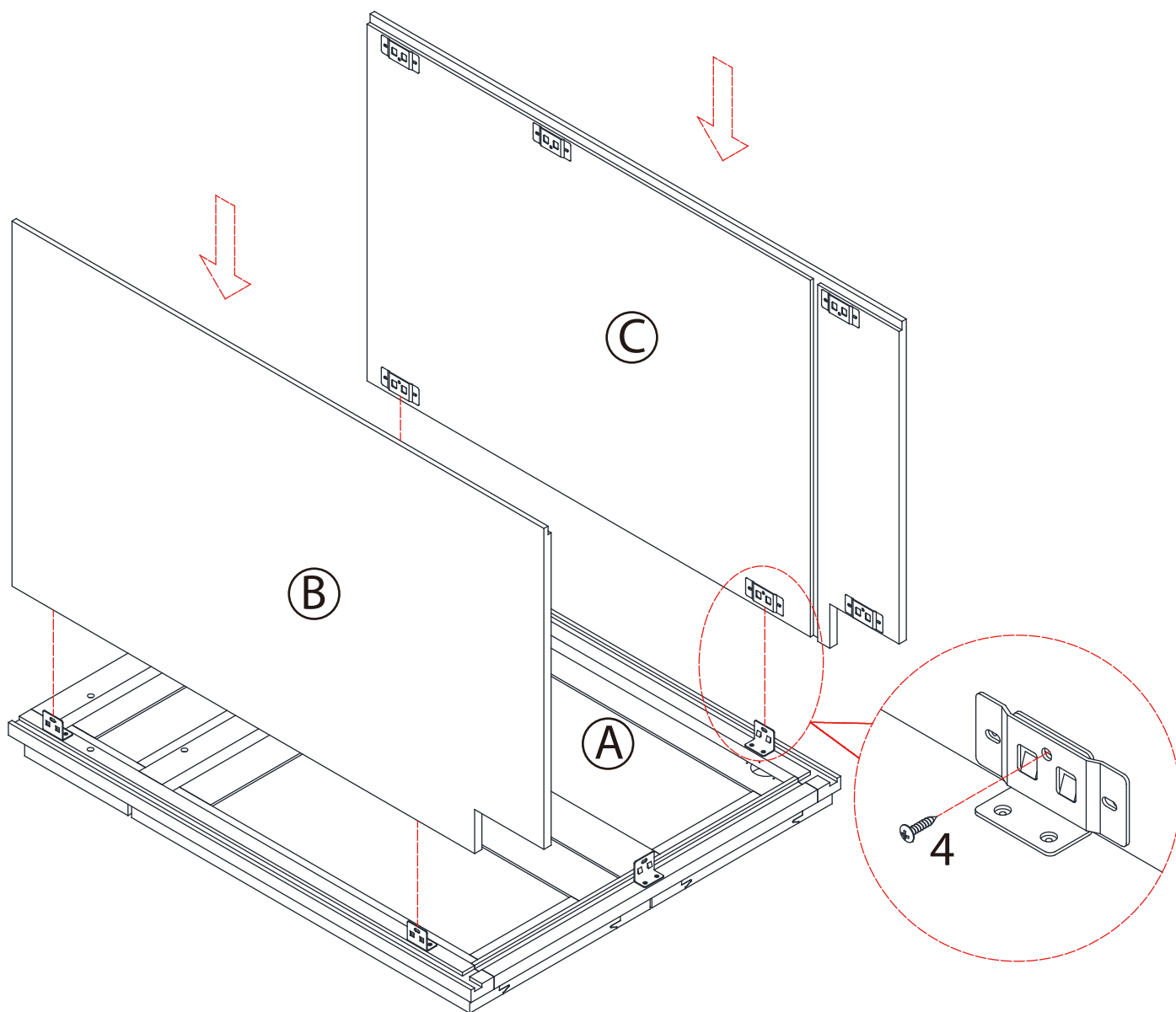
Place right side (B) and left side (C) and bottom panel (D) upside down on a smooth, flat surface to avoid any scratches.

Attach the female bracket (2) to right side (B) and left side (C) and bottom panel (D) using round head screws (4) and screw driver (not included) to Fasten.



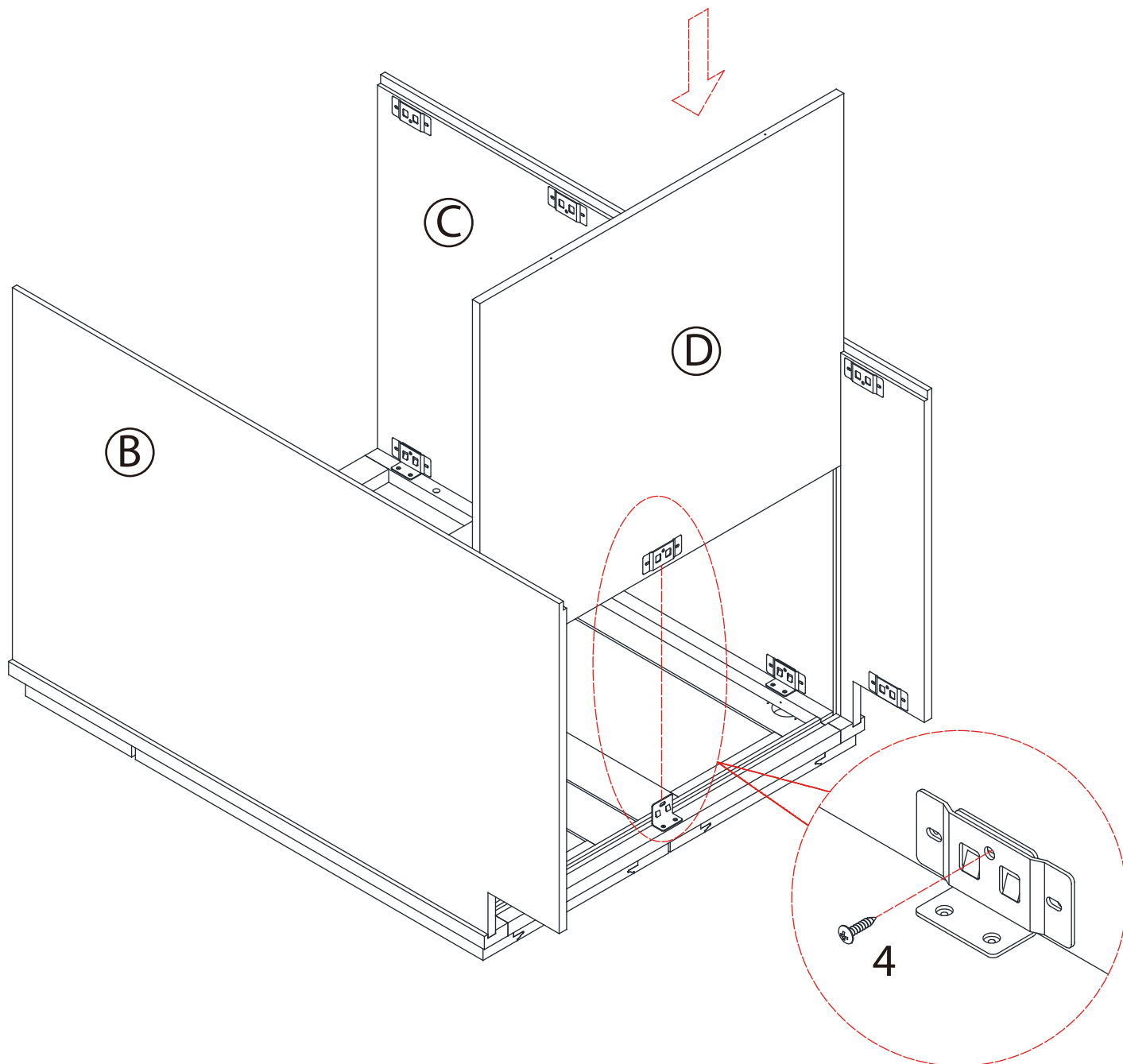
STEP 4 ATTACH SIDES TO FRONT

Place front frame (A) face down onto padded work surface.
Line up fasteners on the right side (B) and left side (C) of the vanity to the front frame (A).
Lock fasteners in place and fasten with round head screw (4).



STEP 5 SLIDE IN VANITY BOTTOM PANEL

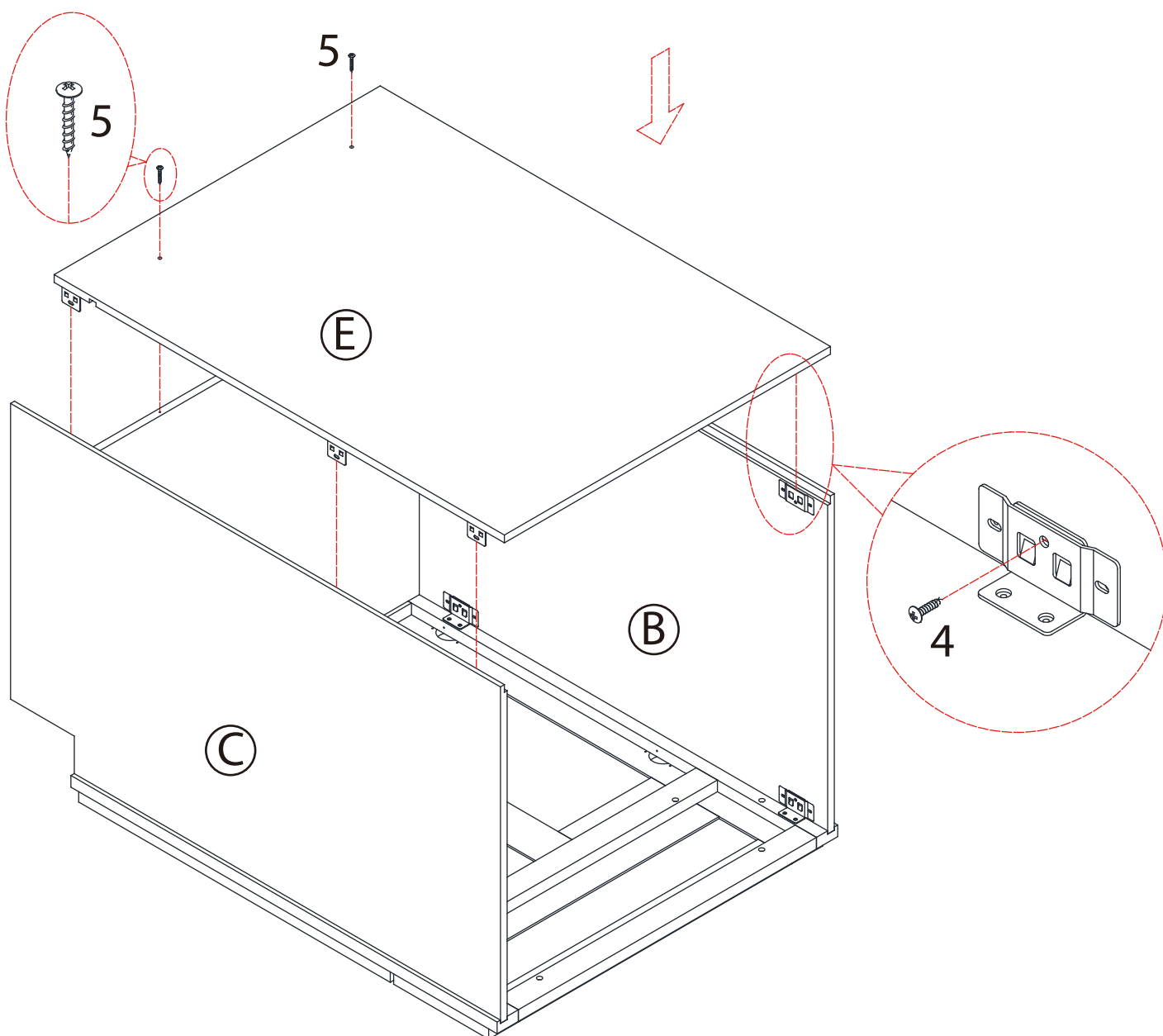
Slide bottom panel (D) into the grooves of right side (B) and left side (C), Lock fasteners in place and fasten with round head screw (4).



STEP 6 LOCK IN BACK PANEL

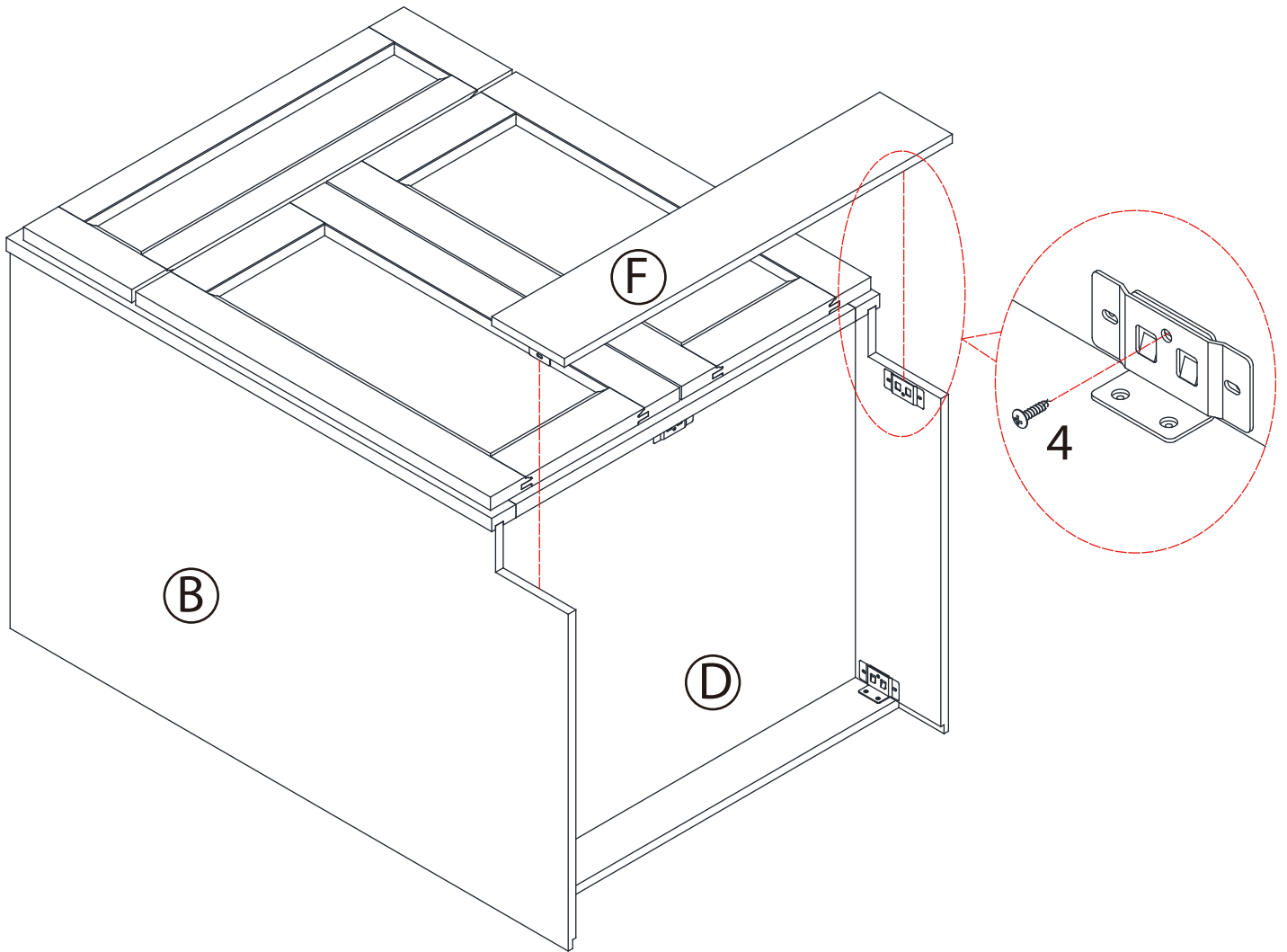
Line the back panel (E) to the right side (B) and left side (C). Lock fasteners in place and fasten with round head screw (4).

Attach back panel (E) to the bottom panel (D) using round head screw (5) and screw driver (not included) to Fasten.



STEP 7 TOE KICK INSTALLATION

Line the toe kick (F) to the right side (B) and left side (C). Lock fasteners in place and fasten with round head screw (4).



STEP 8 BRACING

Screw in vinyl corner braces and you are done!

Attach plastic bracket (3) to the vanity, using round head screw (4).

