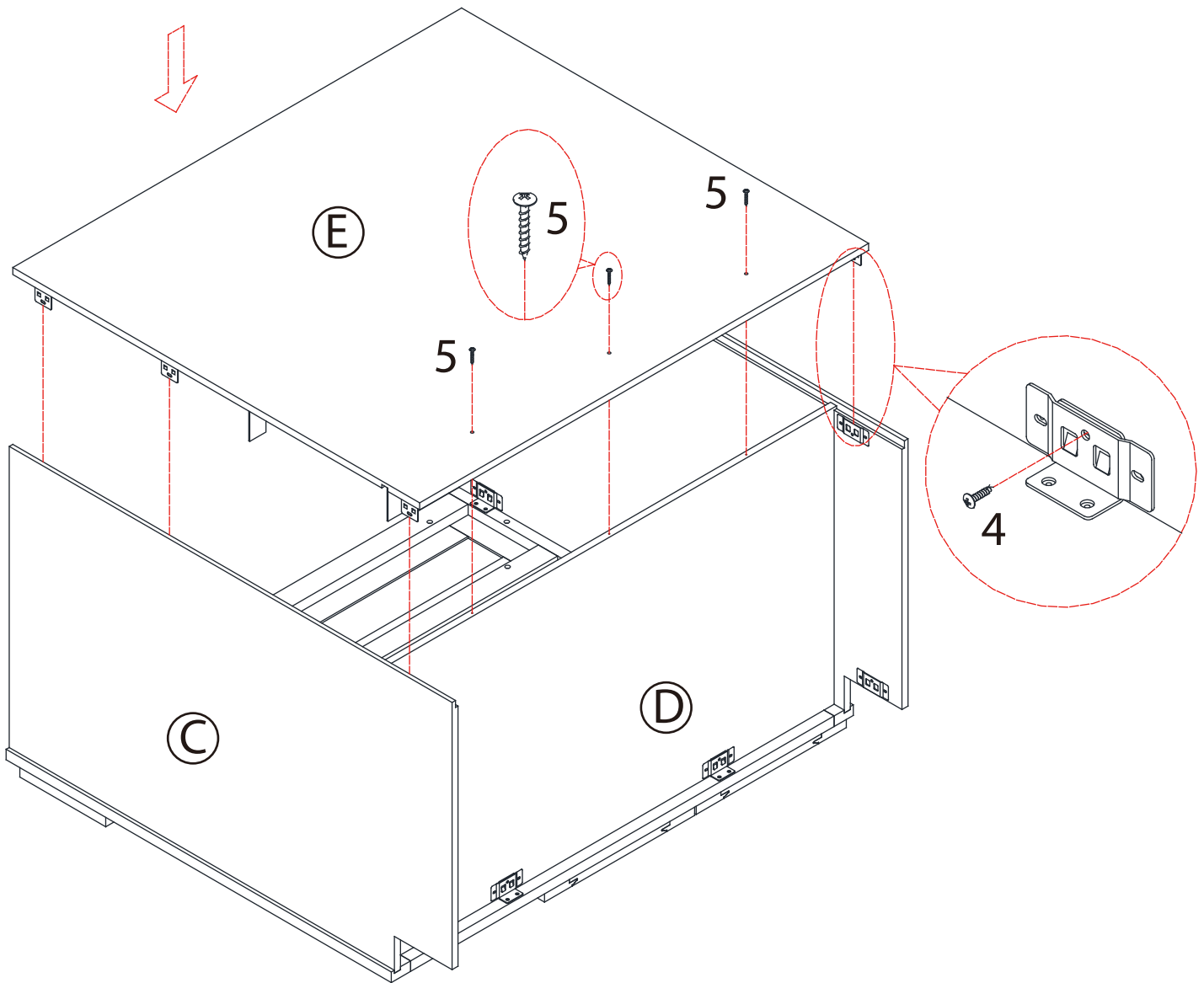


STEP 6 LOCK IN BACK PANEL

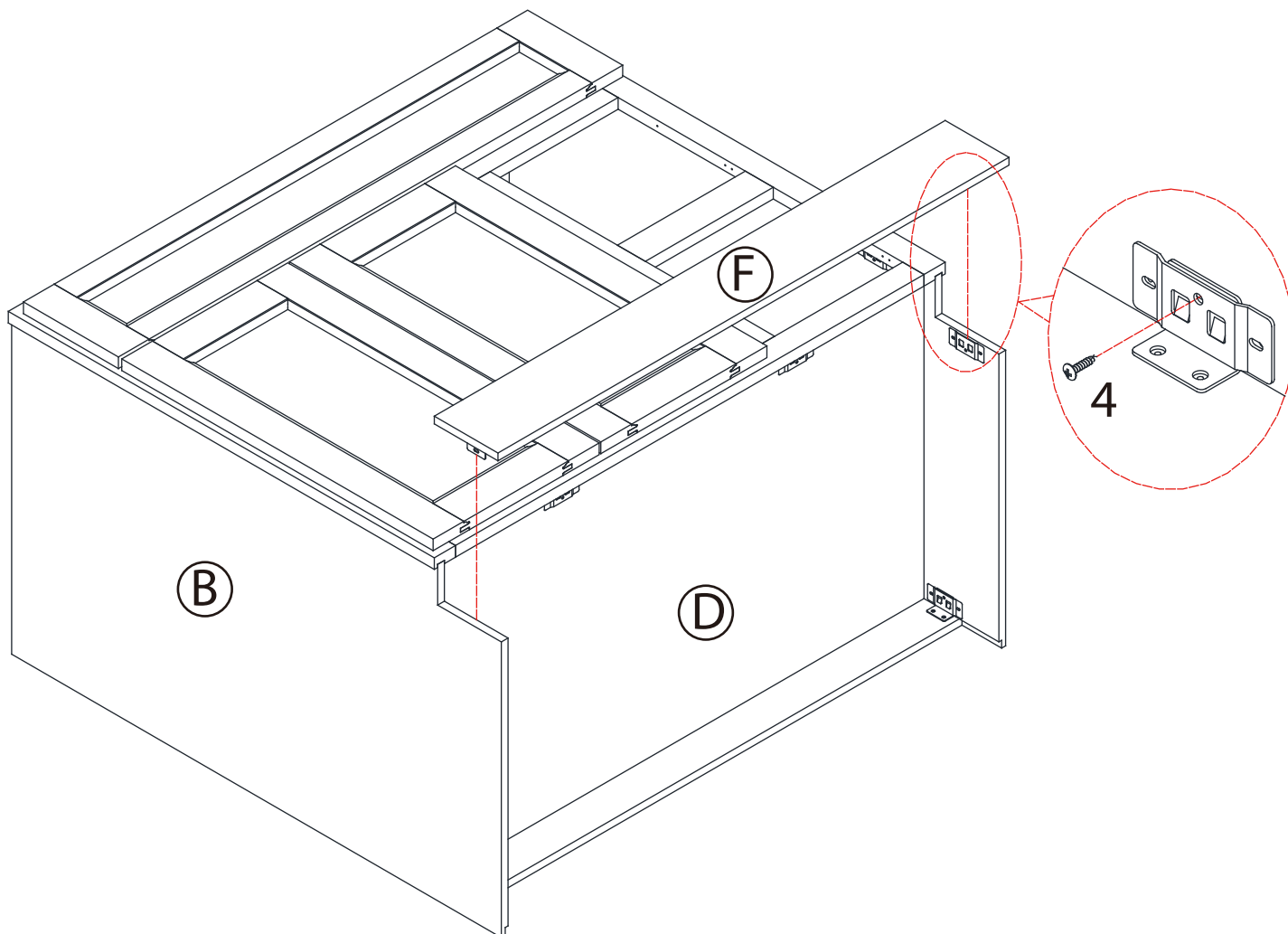
Line the back panel (E) to the right side (B) and left side (C). Lock fasteners in place and fasten with round head screw (4).

Attach back panel (E) to the bottom panel (D) using round head screw (5) and screw driver (not included) to Fasten.



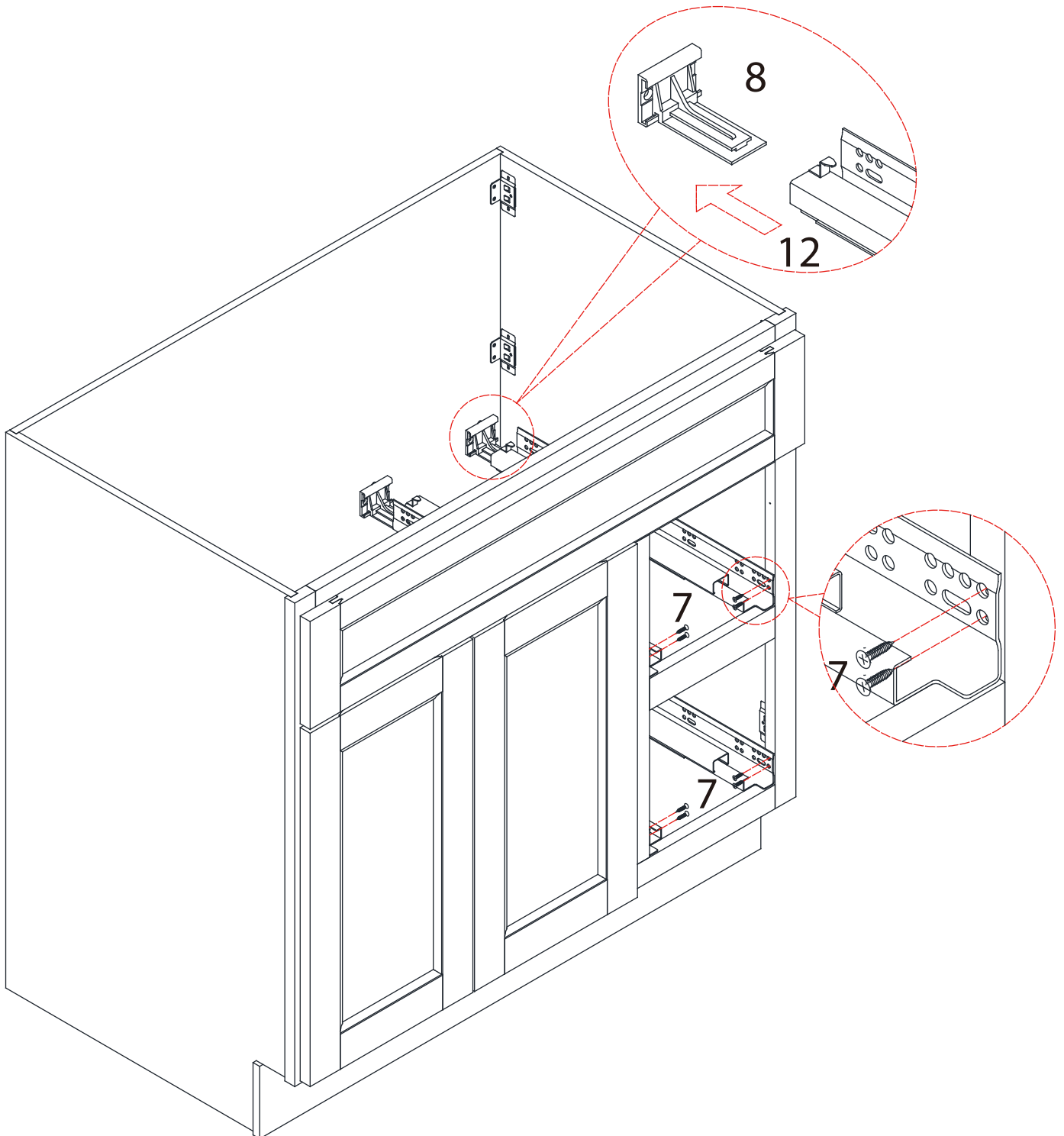
STEP 7 TOE KICK INSTALLATION

Line the toe kick (F) to the right side (B) and left side (C). Lock fasteners in place and fasten with round head screw (4).



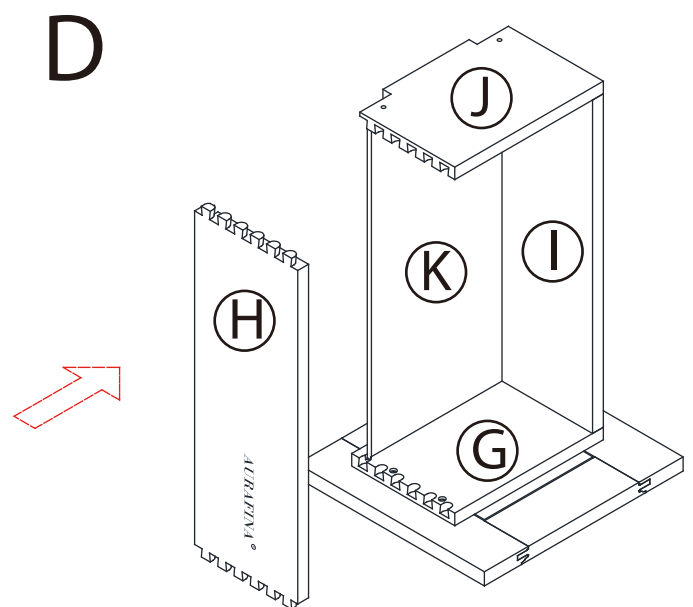
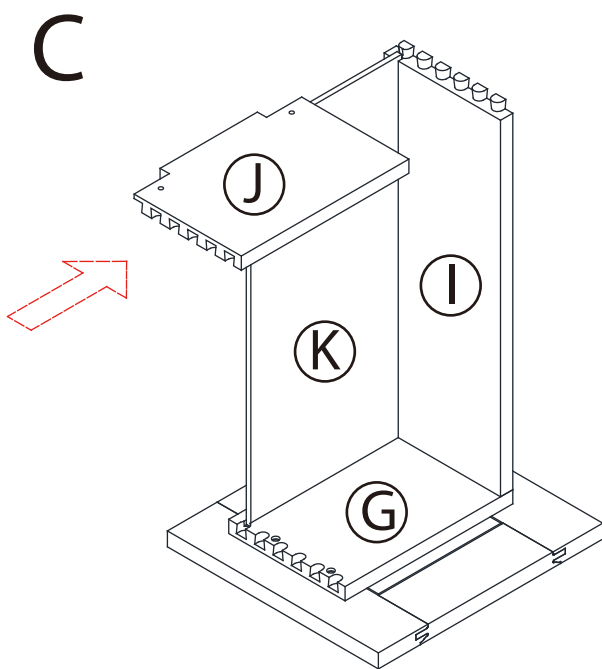
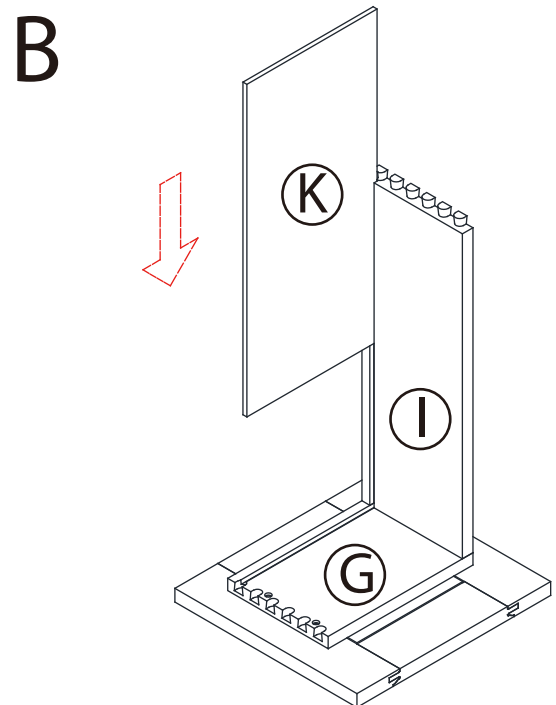
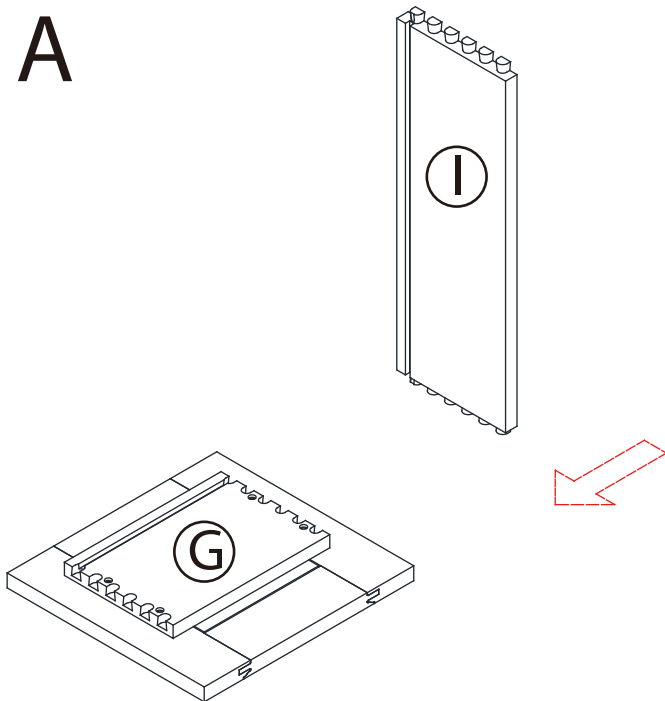
STEP 8 DRAWER SLIDE INSTALLATION

Slide drawer left glide (11) and drawer right glide (12) into glide support (8).
Line the front of the glide so it's flush with the front of the frame, and lined up with the pre-drilled holes. Screw in place with flat head screw (7).
Repeat on other side of vanity.



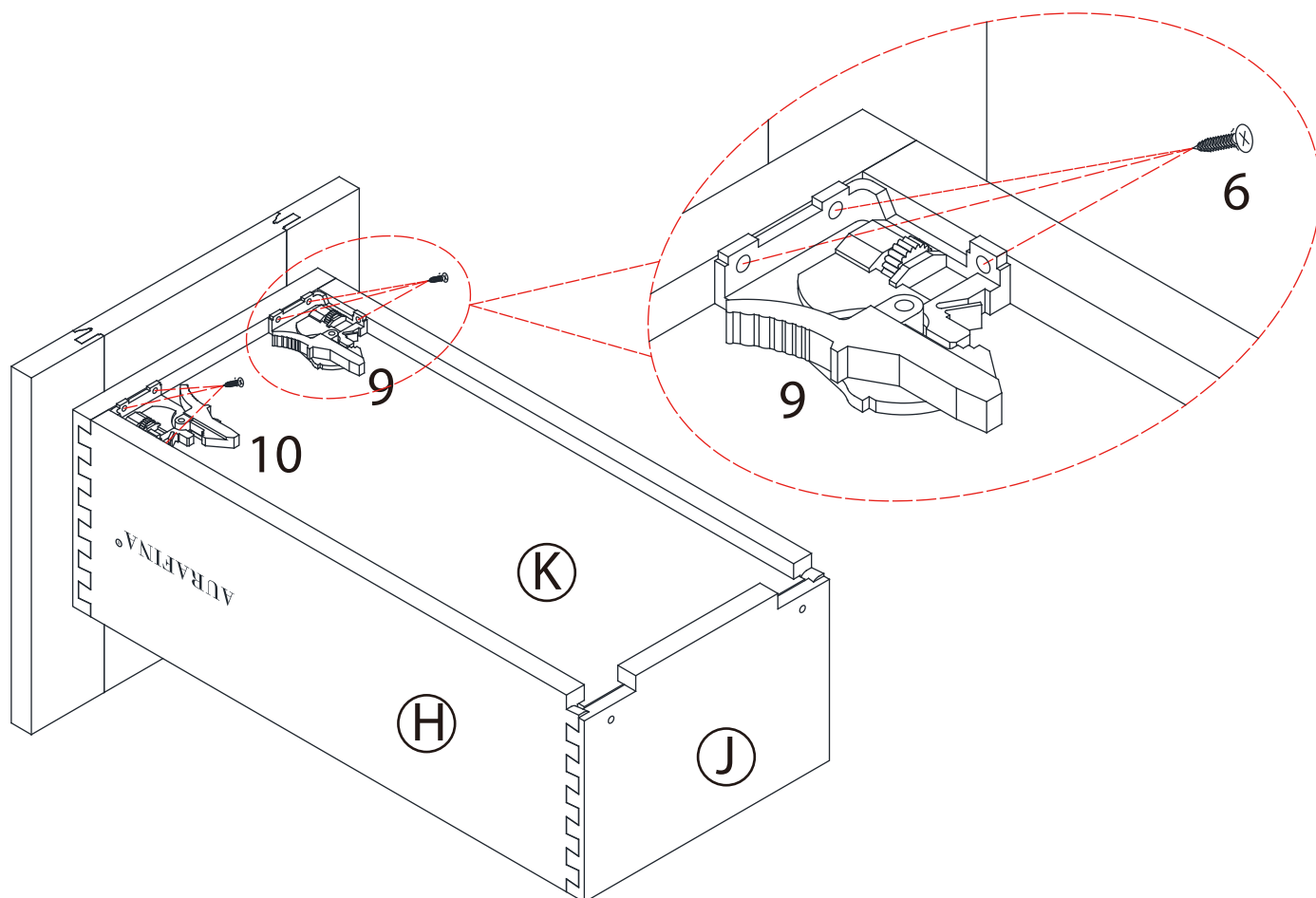
STEP 9 PUT TOGETHER DRAWERS

You'll find drawerfront (G), drawer right side (I), drawer left side (H) drawer back (J) and drawer bottom (K) that make up the drawers. All of our vanities have dovetailed joints. Just line up the holes and screw together. Line up the parts, then hang front edge over an elevated work surface. Gently tap joints together with a rubber mallet.



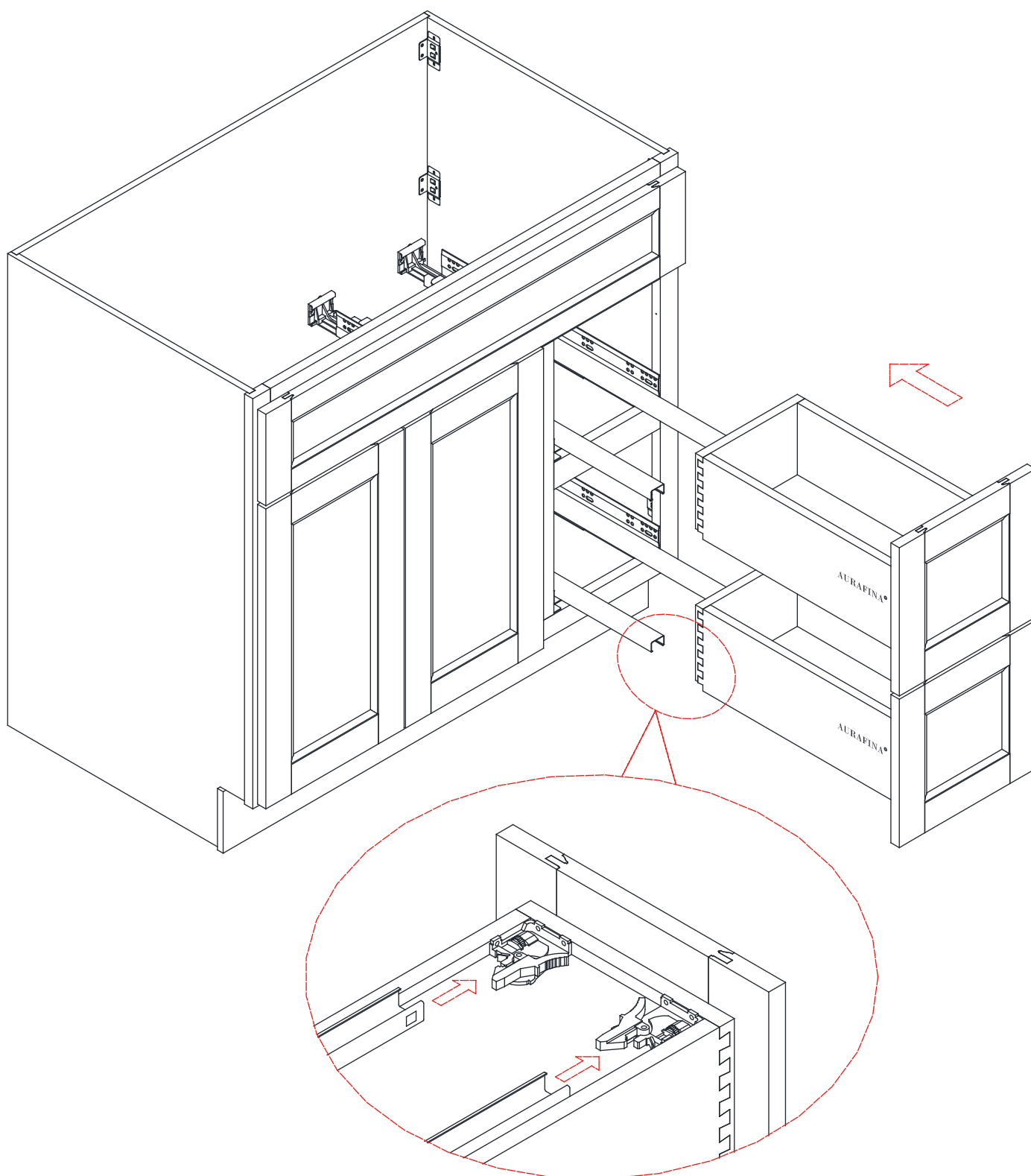
STEP 10 PUT TOGETHER DRAWERS

Attach glide right lock (9) and glide left lock (10) to the bottom front of the drawer using flat head screw (6).



STEP 11 INSTALL DRAWER TO VANITY BOX

Take assembled drawer and line it on top of the metal glides. Push the back of the metal glide into the pre-drilled hole located at the back of the drawer until it's flush with the back portion of vanity. The mechanism will come together with a few clicks.



STEP 12 BRACING

Screw in vinyl corner braces and you are done!

Attach plastic bracket (3) to the vanity, using round head screw (4).

