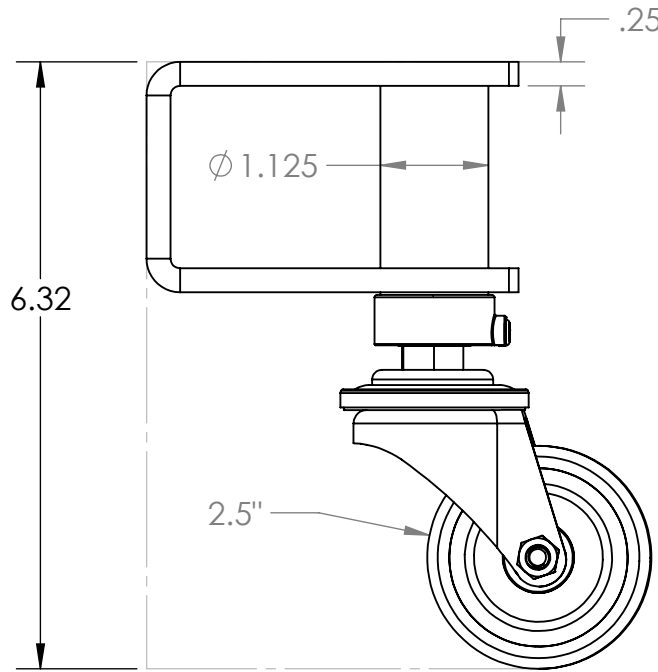
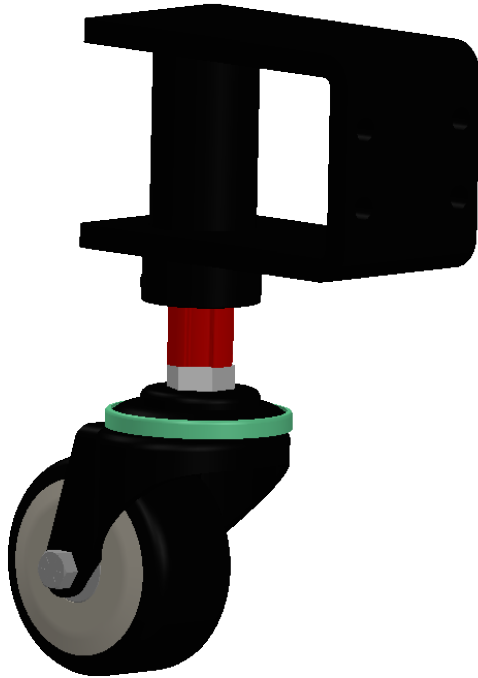


2

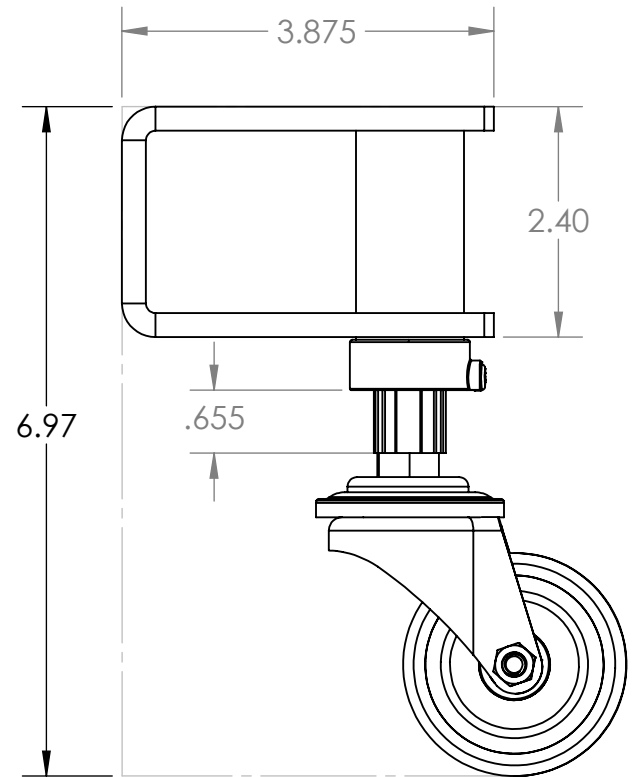
1

B

B



R8 Retracted Position- Please allow 6 1/2" of clearance height for mounting.



R8 Deployed Position- Wheel extended .655 inches.

A

A

PROPRIETARY AND CONFIDENTIAL
 THE INFORMATION CONTAINED IN THIS DRAWING IS THE SOLE PROPERTY OF <INSERT COMPANY NAME HERE>. ANY REPRODUCTION IN PART OR AS A WHOLE WITHOUT THE WRITTEN PERMISSION OF <INSERT COMPANY NAME HERE> IS PROHIBITED.

| | | | | | |
|-----------|-------------|--------------------------------------|-----------|------|------|
| | | UNLESS OTHERWISE SPECIFIED: | | NAME | DATE |
| | | DIMENSIONS ARE IN INCHES | DRAWN | | |
| | | TOLERANCES: | CHECKED | | |
| | | FRACTIONAL ± | ENG APPR. | | |
| | | ANGULAR: MACH ± BEND ± | MFG APPR. | | |
| | | TWO PLACE DECIMAL ± | Q.A. | | |
| | | THREE PLACE DECIMAL ± | COMMENTS: | | |
| | | INTERPRET GEOMETRIC TOLERANCING PER: | | | |
| | | MATERIAL | | | |
| NEXT ASSY | USED ON | FINISH | | | |
| | APPLICATION | DO NOT SCALE DRAWING | | | |

TITLE:
R8 Smart Caster

SIZE **A** DWG. NO. REV
 SCALE: 1:4 WEIGHT: SHEET 1 OF 1

2

1