

# Performance Compliance Report

Non-Transferable



AAAMSA Group

Reg. No. 1974/00006/08  
Association Incorporated under Section 21  
VAT No. 4900141153

Tel  
(011) 805-5002  
Fax  
(011) 805-5033

Incorporating:



South African Fenestration & Insulation Energy Rating Authority



Aluminium Stockists and Distributors Association



Expanded Polystyrene Association of Southern Africa



South African Building Interior Systems Association

SAGGA

South African Glass and Glazing Association



SA Shower Enclosure Manufacturers Association

SAGI

South African Glass Institute



Skylight Association of Southern Africa



Thermal Insulation Association of Southern Africa



Thermal Panel Manufacturers Association

Country Representative



Aluminium System Distributor

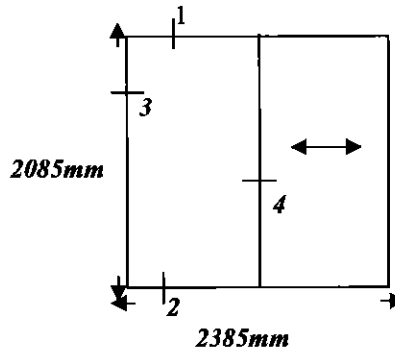
Hinges & Hardware  
P O Box 6527  
DUNSWART  
1508

PCR113

Method of Glazing

Gasket Glazing

Elevation & Dimensions of Test Unit



Glass Types

6.38mm PVB

Extrusions used in manufacture

Detail #	Reference #	Description
1	HDS001 + SF44014	Frame Head & Top Rail
2	HDS 004 + SF44014	Sill Frame & Bottom Rail
3	HDS007 + HDS009 + SF44020	Jamb & Door Stile
4	HDS0198 + HDS019F	Interlock
Throughout	SF 44007	Glazing bead
Throughout	GLA 005-01 & VC 3-01	Wedge & Pull-in gasket
Throughout	WP 67/900F-19	Finpile

Test Results

Negative Pressure 1500 Pa – Deflection 2.5 mm  
Positive Pressure 1500 Pa – Deflection 1.6 mm  
Water Penetration No leakage at 300Pa  
Structural Pressure 2250 Pa – No permanent deformation  
Air infiltration = 0.49 l/s/m<sup>2</sup>

AAAMSA Standard Achieved

A2

Comment

When manufactured to recommendations stipulated by the system provider, the **Heavy Duty Slider OX** able to pass performance criteria A2 as laid down in AAAMSA's General Specification for aluminium and glass products.

Each individual manufacturer must obtain appropriate AAAMSA Performance Test Certificate to confirm his ability to conform to this Performance Compliance Report. APT 13/079

This document is to be read in conjunction with the appropriate technical and assembly documentation supplied by Messrs. Hinges & Hardware

Issued: 28 October 2013

EXECUTIVE DIRECTOR

(For inclusion with Form 1 of SANS 10400-A)

Directors: RG Hampson (President), BW Willison (Vice-President), MR Constable, A Featherstone, RD Huisman, MG Myers, GA Richardson, BC Risseeuw, D Schneller, BH Watson

Executive Director: Hans A Schefferlie, MCIOB, FSAGI AAQS (Neth)  
1st Floor, Block 4, Conference Centre, 2nd Road, Midrand P O Box 7861, Halfway House, 1685