



A guide to H CLAD.

Manufacturing and Installation guidelines.

Details are indicative only and must be approved by a Competent Engineer.

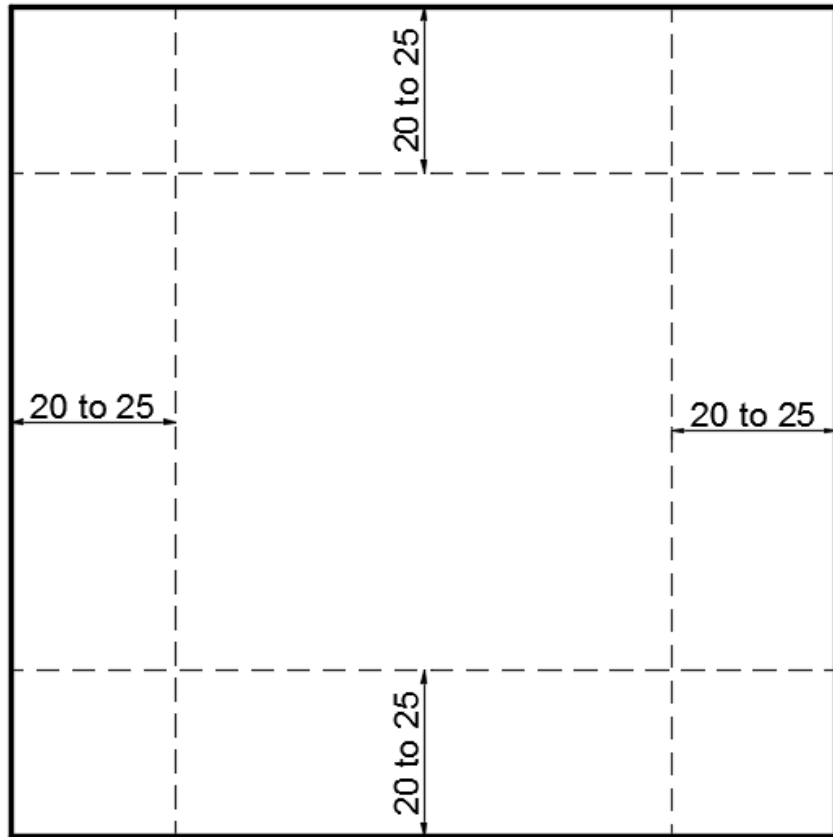


**STEP 1:**

Determine the distance required to route along.

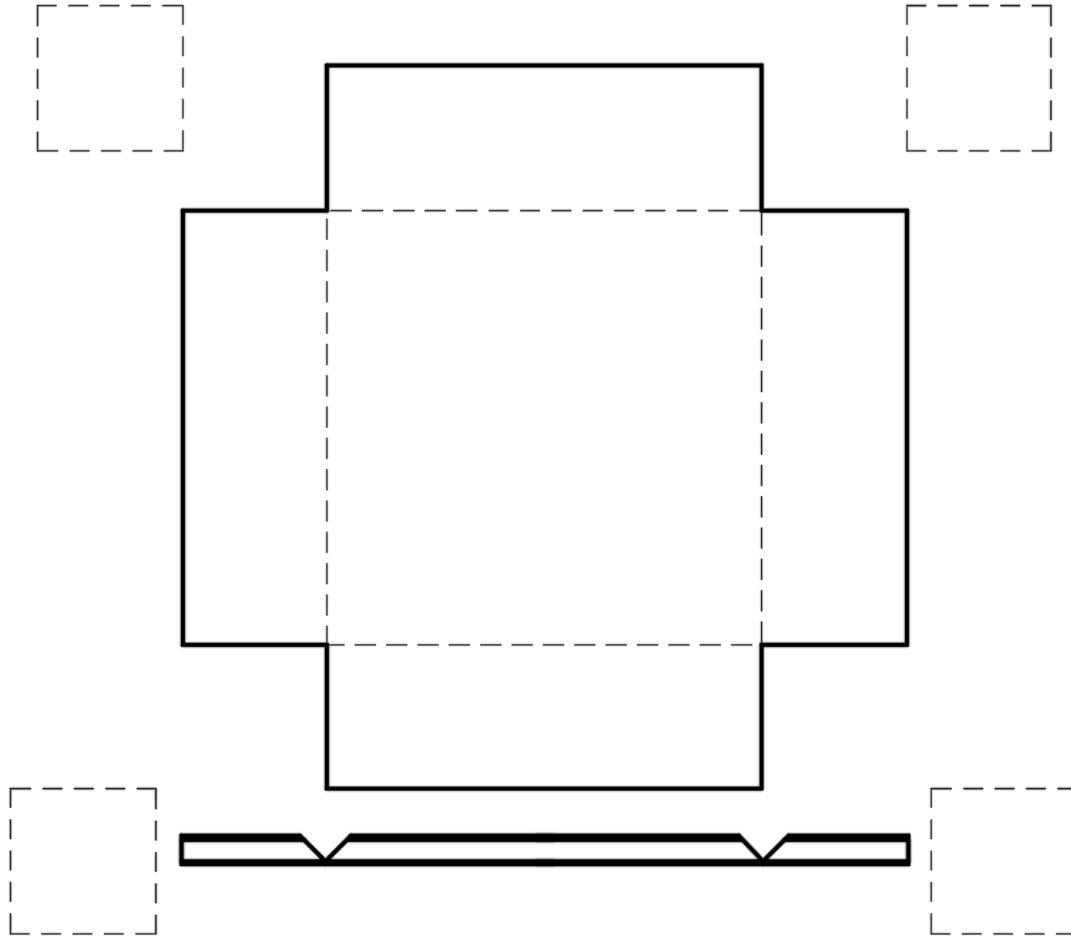
Route along dotted lines. Approximate routing lines 20 to 25mm

Note: Routing must be done on the back side



## STEP 2:

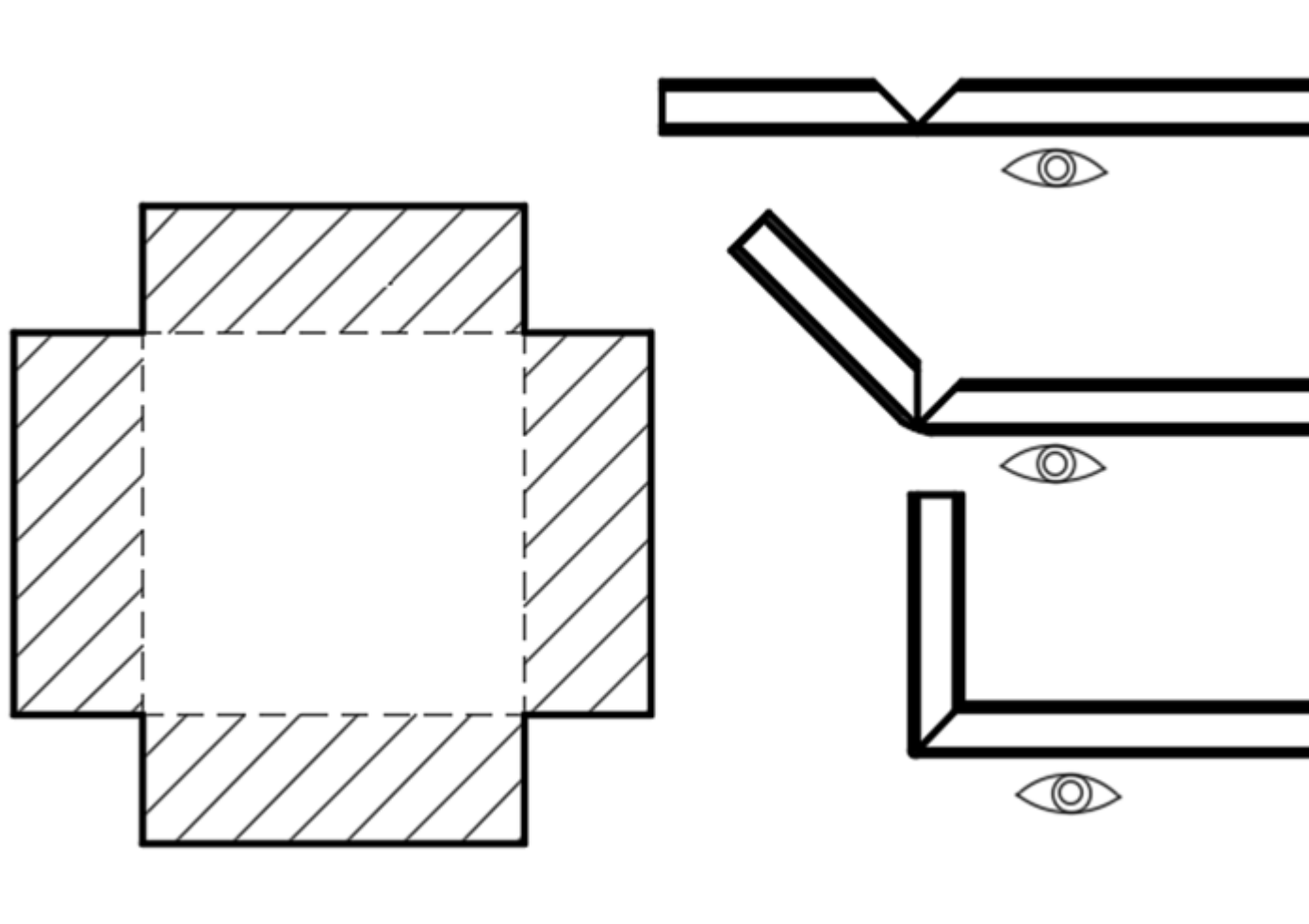
Remove the corners of the H Clad by cutting along the routed line.



STEP 3:

Bend the exposed sections (shaded section) up as shown bellow.

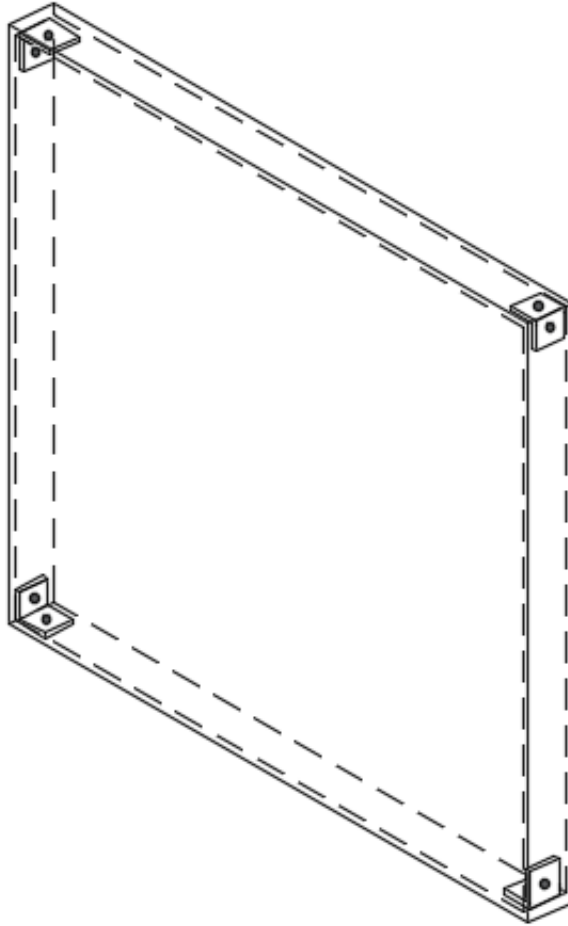
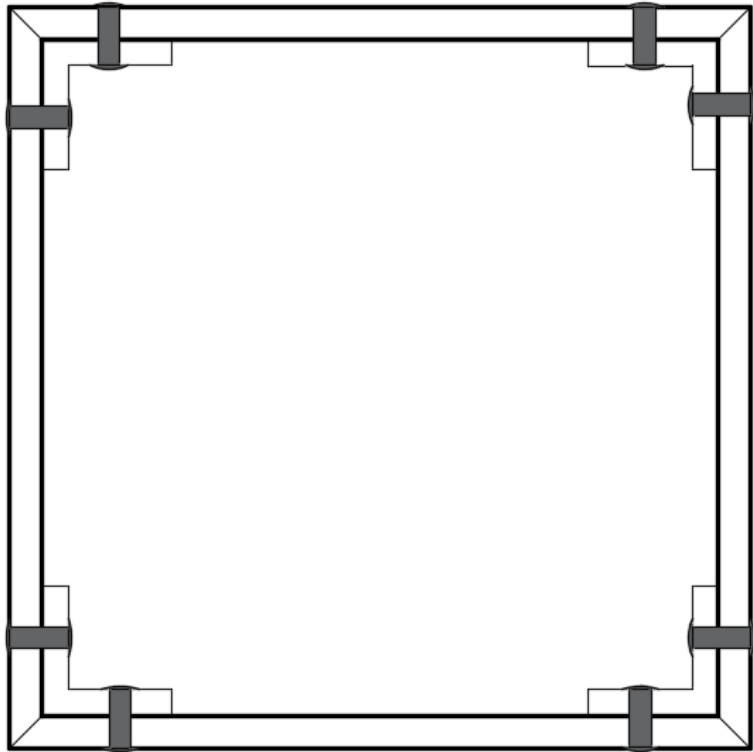
Note: Final visible outer surface is denoted with the eye symbol



## Step 4

Add the corner cleats to increase the rigidity of the Panel.

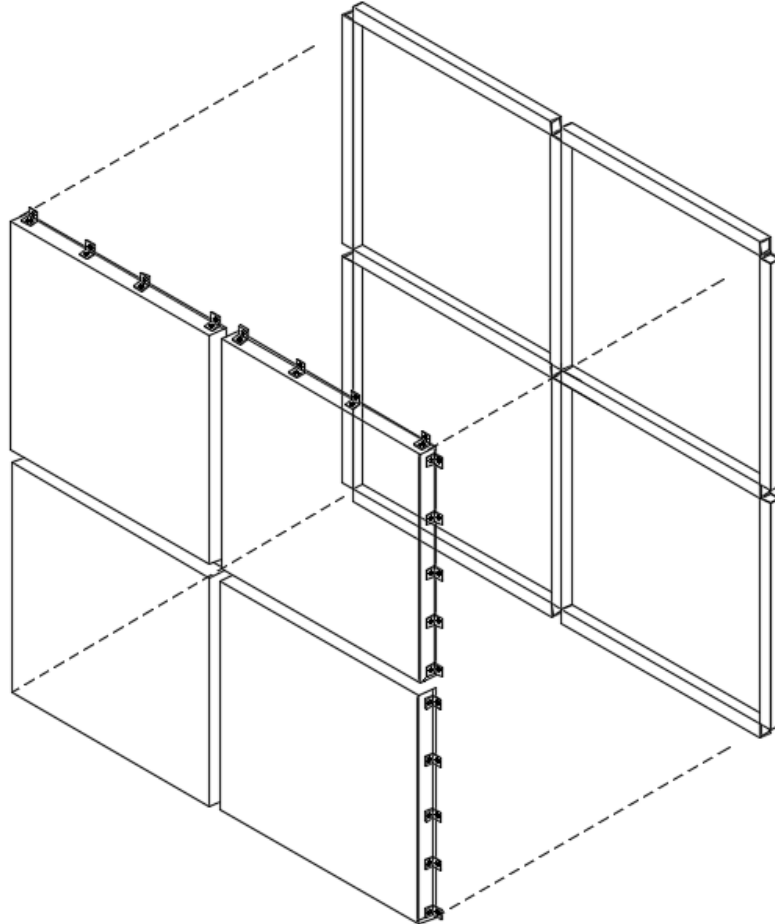
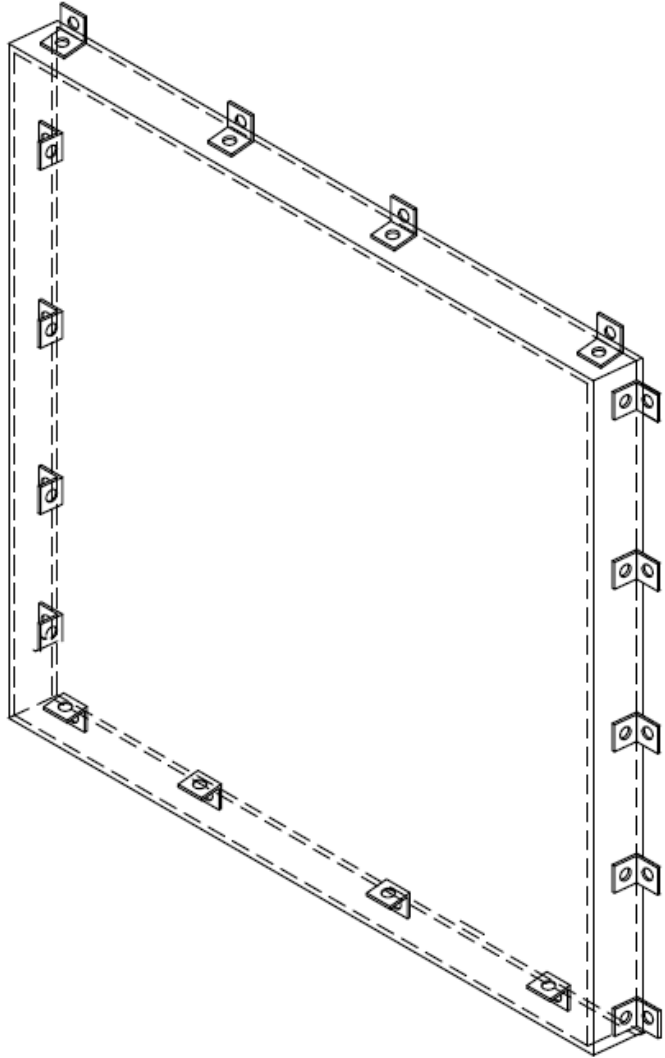
Pop rivets or screws used to fix corner cleats.



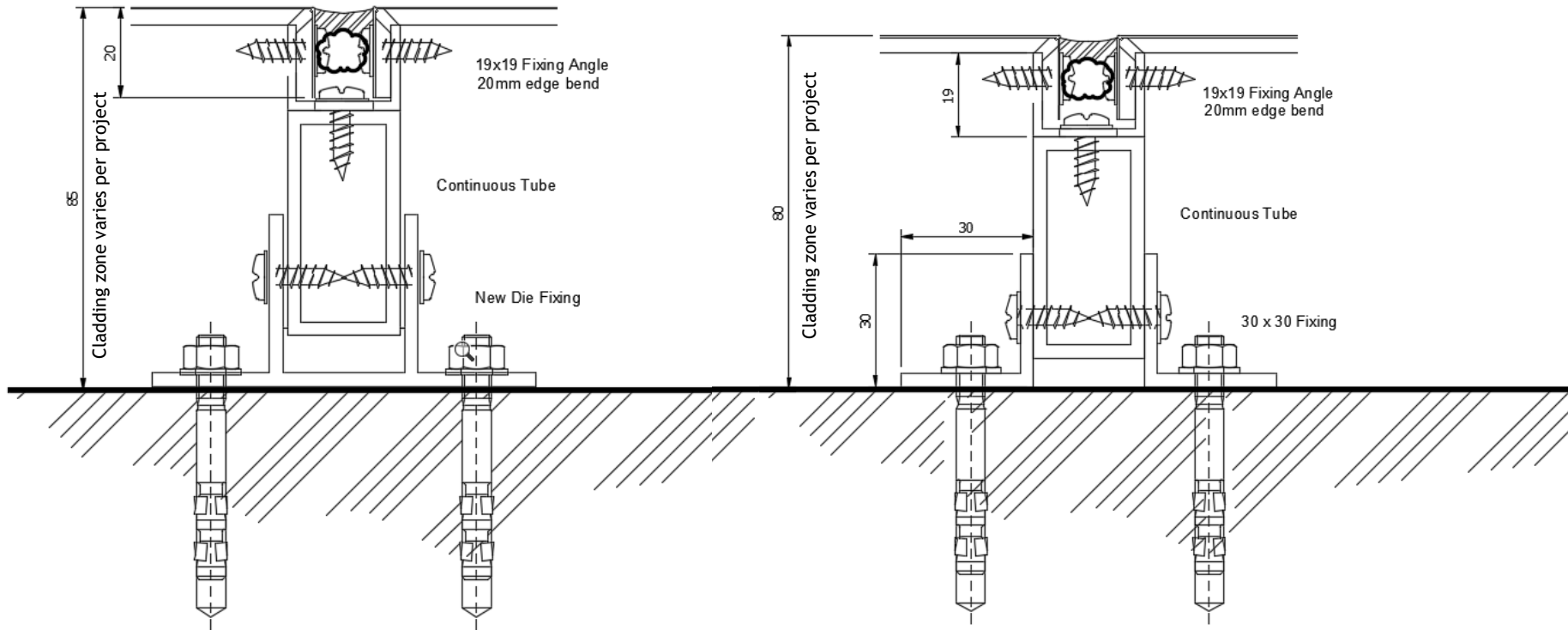
## STEP 5:

Attach fixing angle to the inner edge of the of the panel.

Note: spacing between fixing angles is recommended to be less than 350mm, staggered.



# Typical fixing details.



# Typical fixing details.

