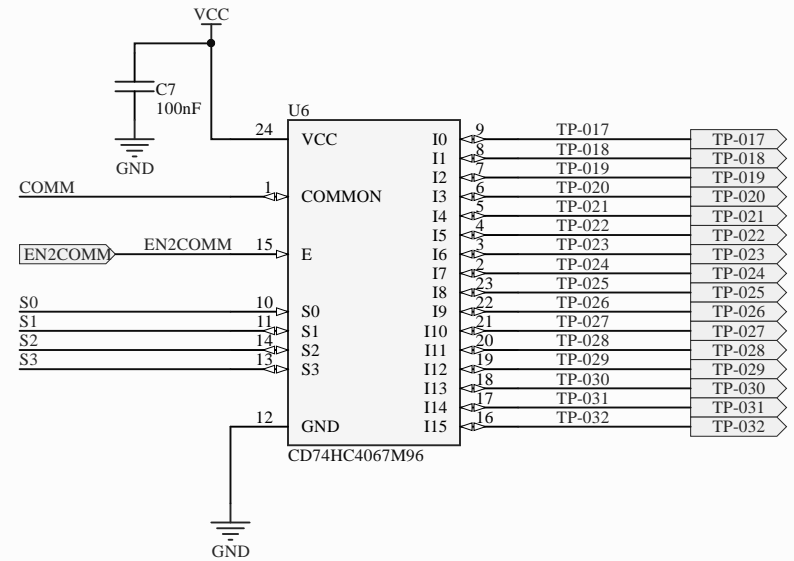
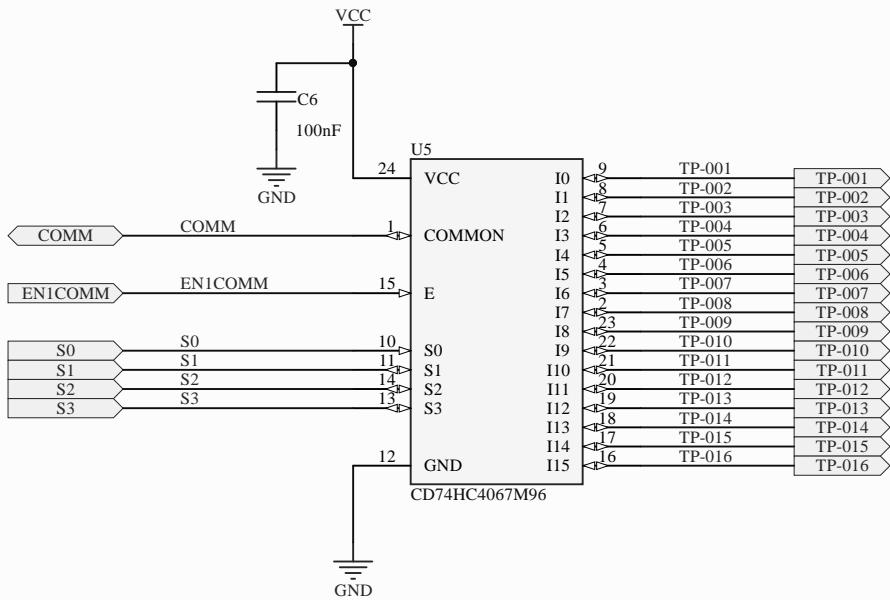
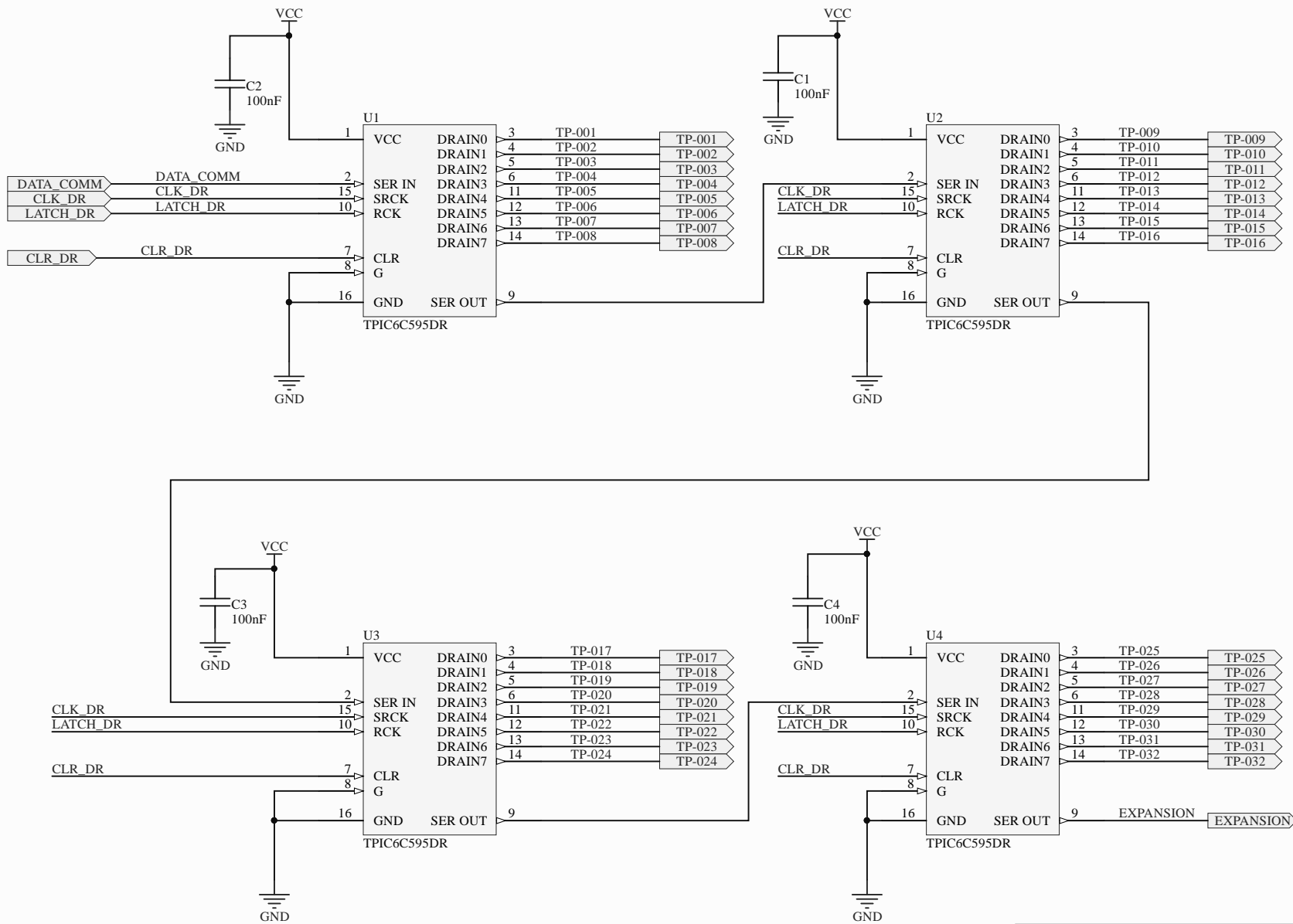


MUX / DEMUX 32 TP



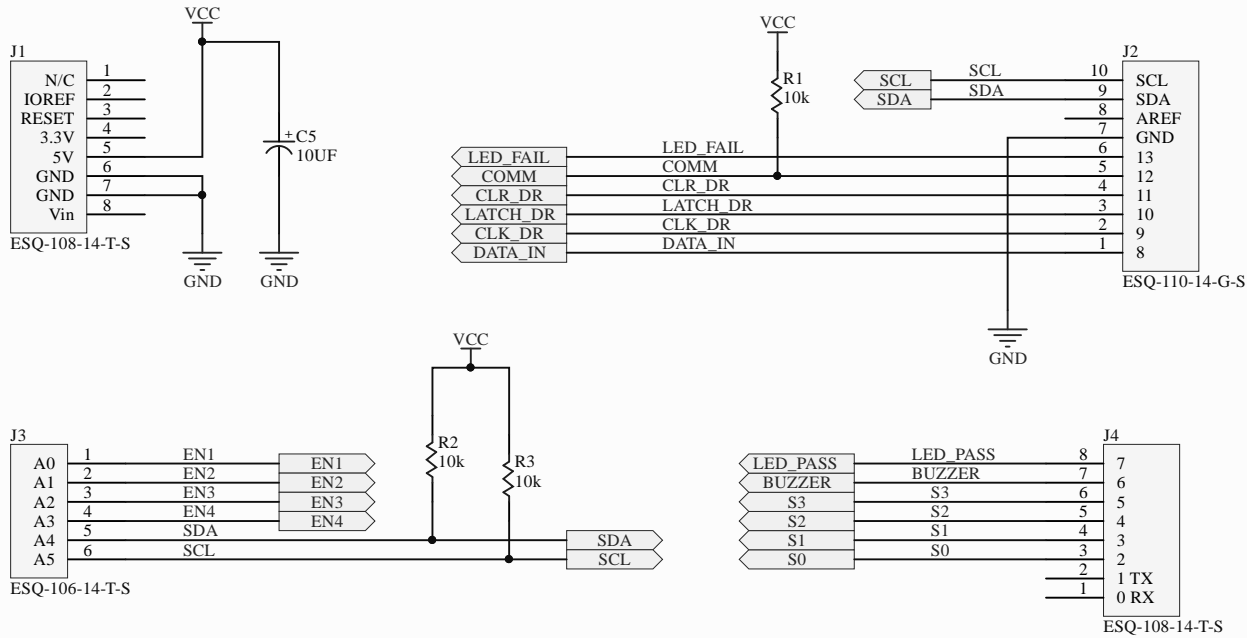
Title		
Size	Number	Revision
Letter		
Date:	1/8/2021	Sheet of
File:	C:\ERW-PROJECT\..\Arduwire SCH.Sch Down By:	

SHIFT REGISTER OPEN DRAINS 32 TP

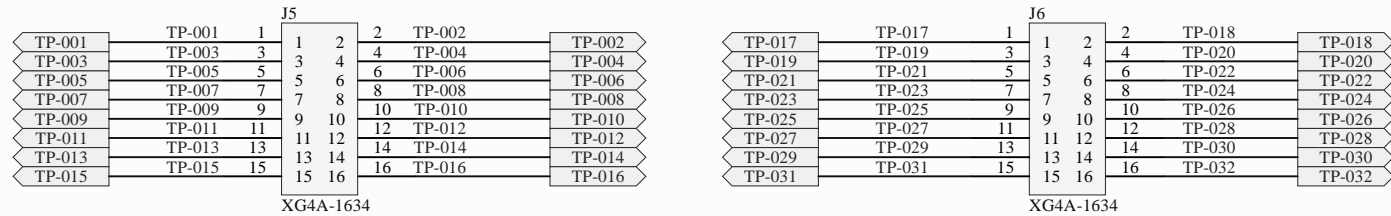


Title		
Size	Number	Revision
Letter		
Date:	1/8/2021	Sheet of
File:	C:\ERW-PROJECT\..Arduwire SCH1.SchDoc	

PIN HEADER CONNECTIONS

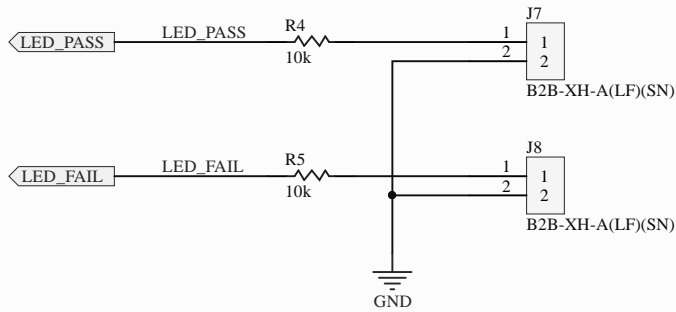


OUTPUTS



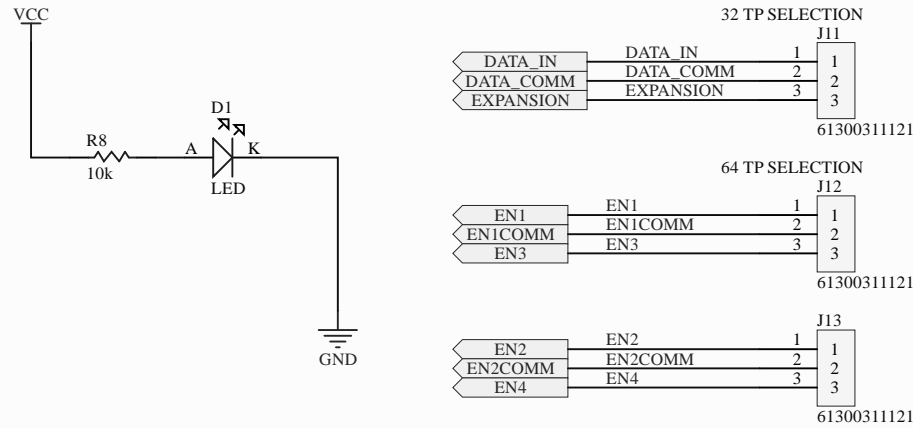
Title		
Size	Number	Revision
Letter		
Date:	1/8/2021	Sheet of
File:	C:\ERW-PROJECT\..\Arduwire SCH2.SchDoc	

VISUAL ALARM

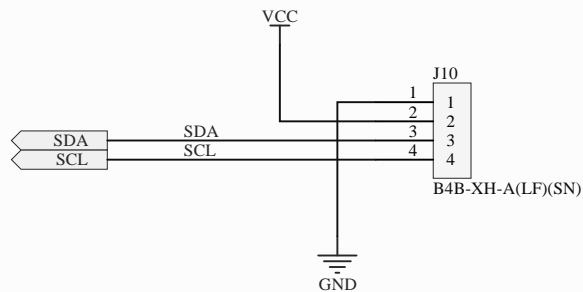


PWR ON LED

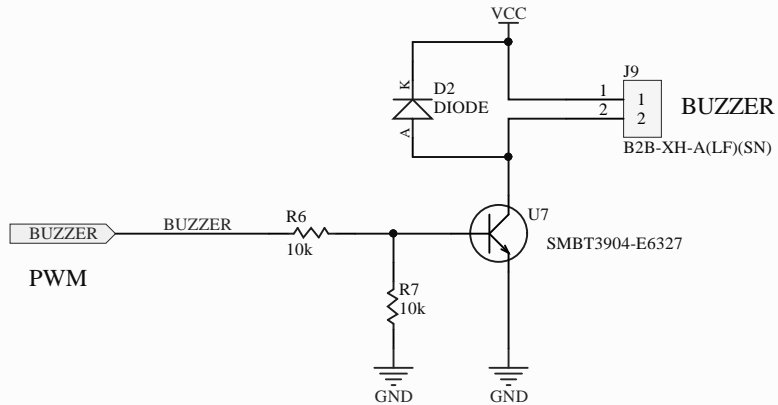
SELECTOR



I2C CONNECTOR



BUZZER / ALARM



Title		
Size	Number	Revision
Letter		
Date:	1/8/2021	Sheet of
File:	C:\ERW-PROJECT\..\Arduwire SCH3.SchDoc	

