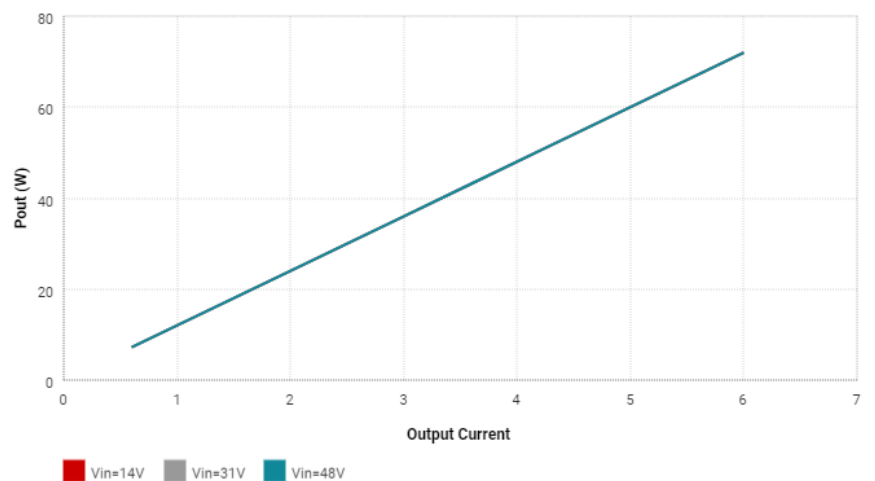
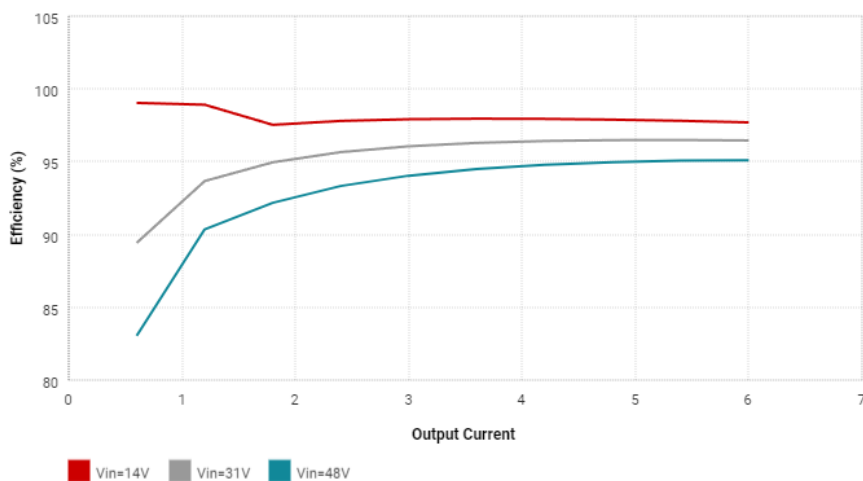
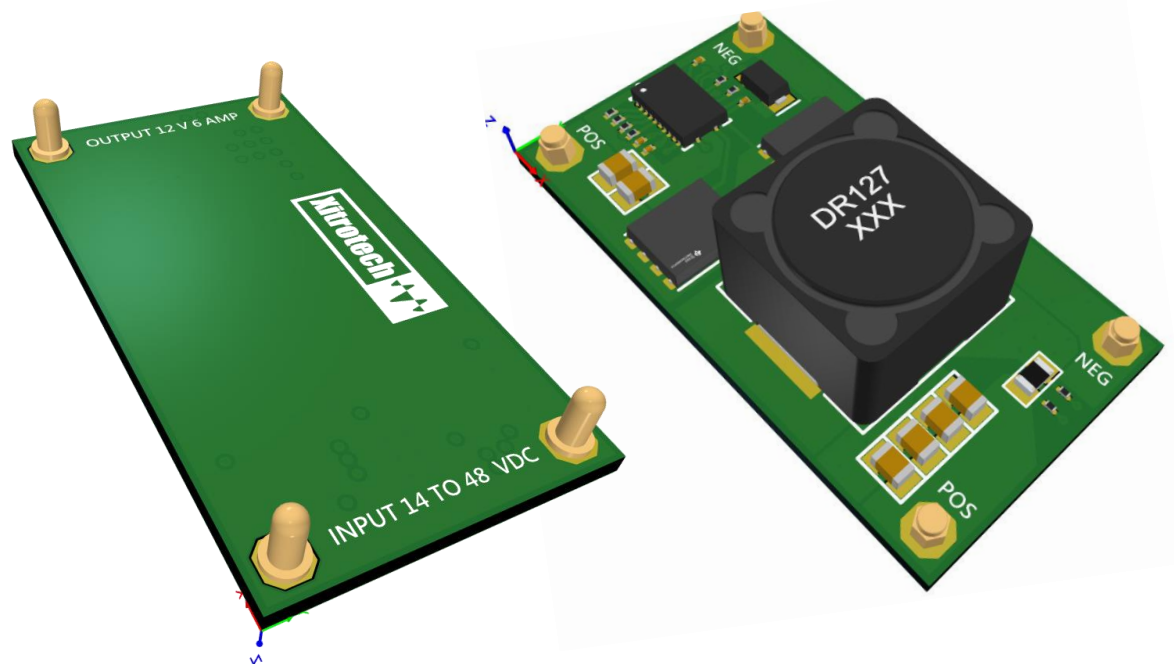


72 W High Efficiency DC to DC
Description

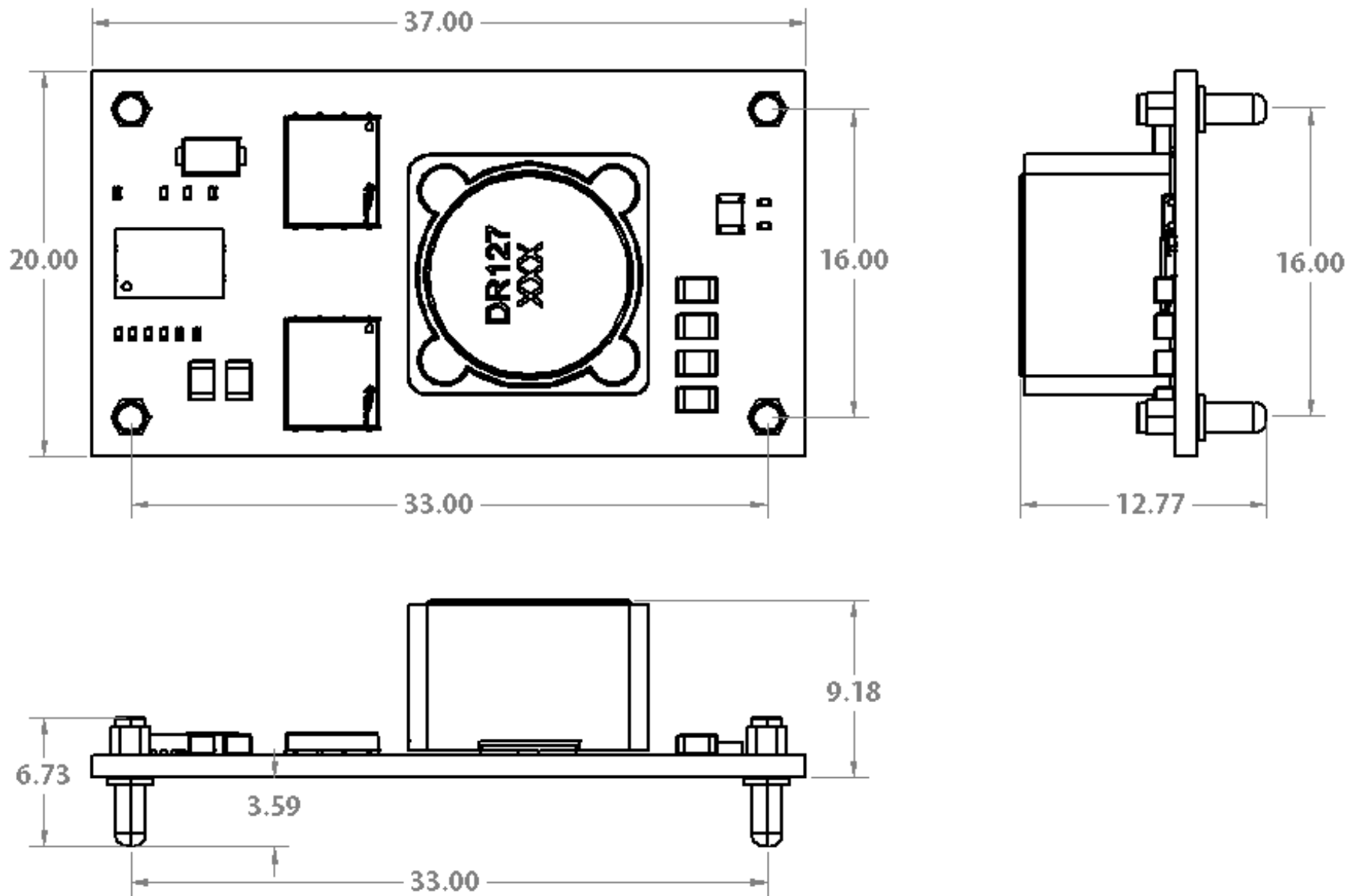
The XIDC1448-12 operates over a wide input voltage range of 14 V to 48 V to deliver a fixed 12-V output with better than 1% setpoint accuracy and up to 6-A output current. The XIDC1448-12 offers advanced EMI performance, ultra-low IQ, protection features to aid protection of the regulator during fault conditions, which include: Internal soft-start, hiccup-mode overcurrent protection, and thermal shutdown.

Features

- Input Voltage : 14 to 48 VDC
- Output Voltage : 12 VDC
- Output Current : 6 Amps Max
- Efficiency : Up to 90%
- Switching frequency : 1.05 MHz
- Module Size : 37 x 20 mm



Outline Dimensions



Dimensions are in (mm). Tolerances: $\pm .01$ mm