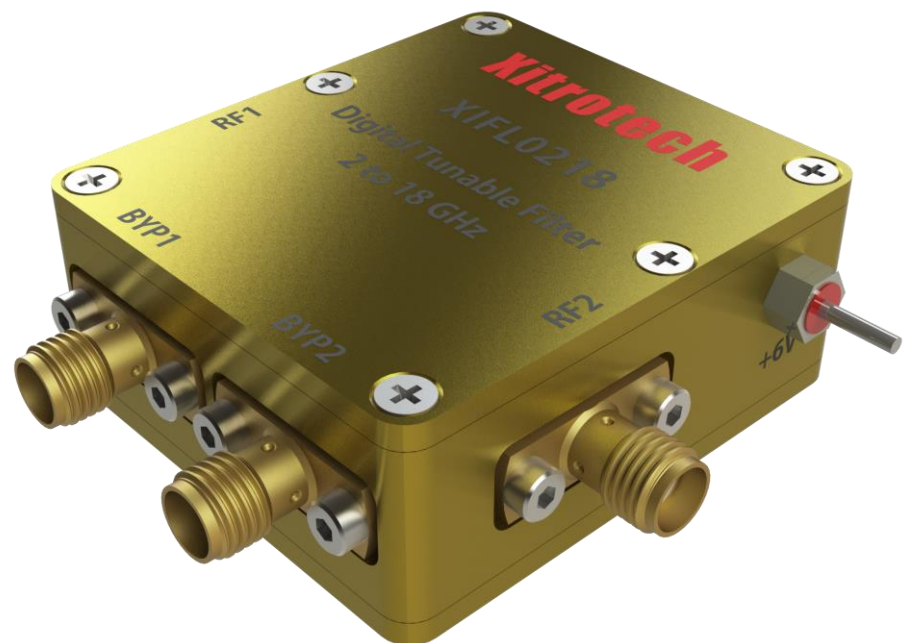
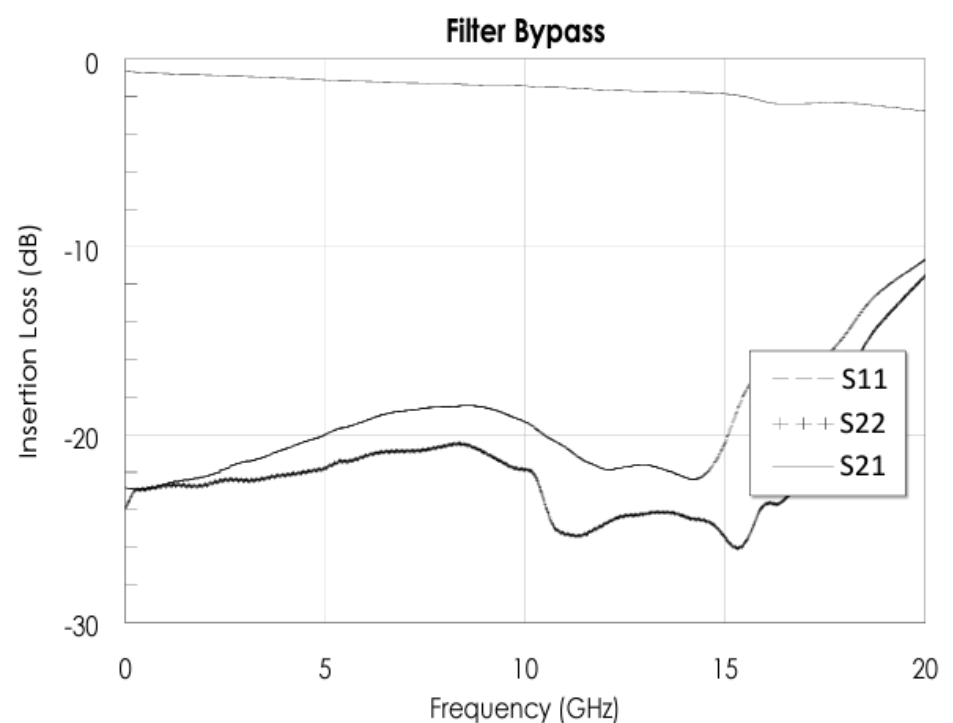
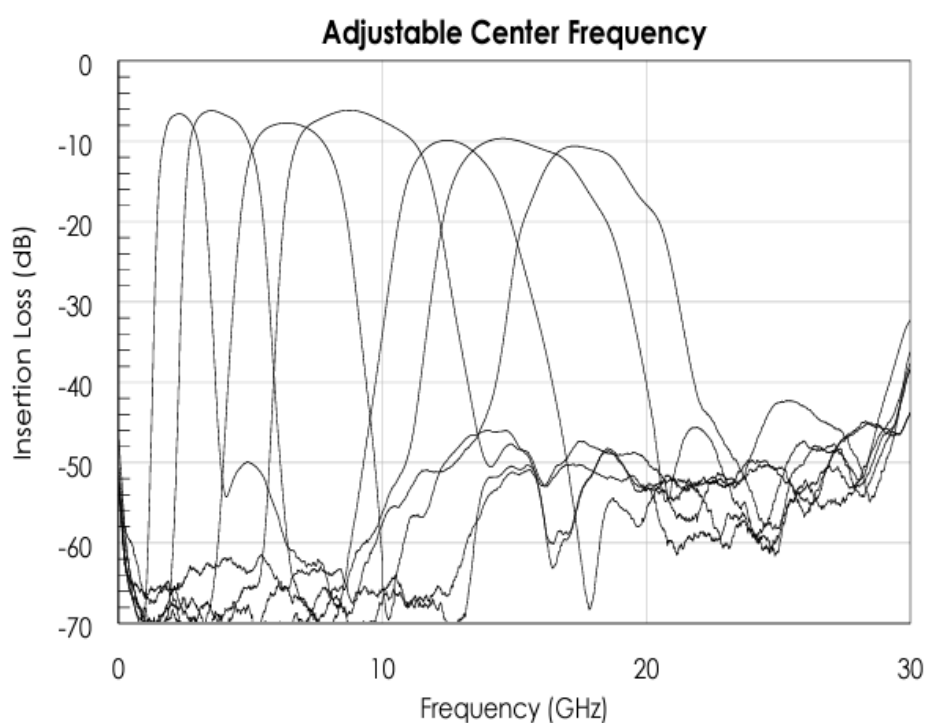


2 to 18 GHz Digitally Tunable Bandpass**Description**

XIFL0218 is a digitally tunable bandpass filter bank covering the 2 GHz to 18 GHz frequency range. The device provides three separate tunable filter bands with 16 low-pass and 16 high-pass tuning states for independent control of both the center frequency and bandwidth. The filter bank has integrated switches with a 20 GHz bypass path.

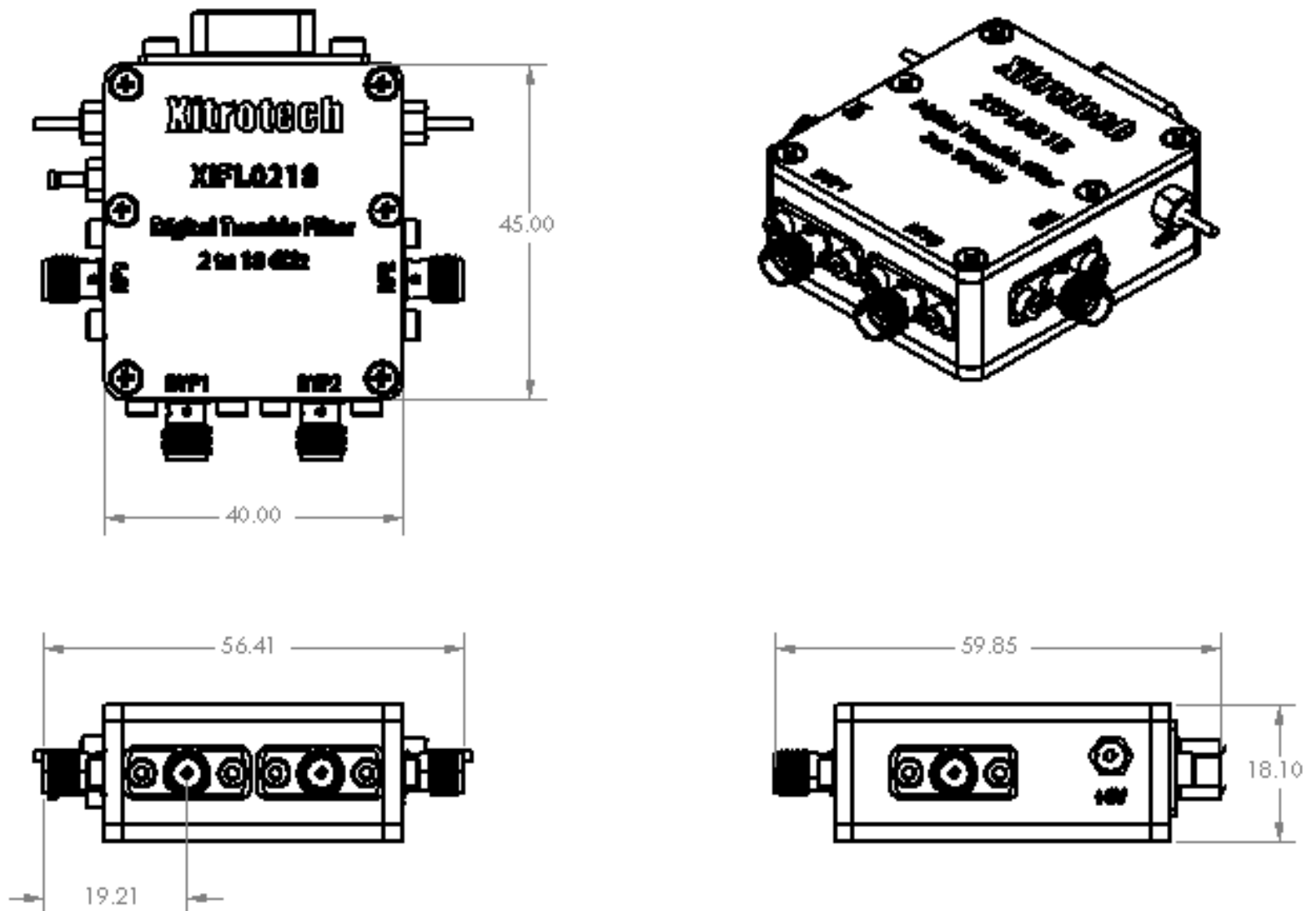
Features

- 2 to 18 GHz Digitally Tunable
- Bandpass Filter Bank
- Integrated Control Line Filtering
- Independent LP and HP control
- 8 dB typical Insertion Loss
- 20 GHz Filter Bypass Path
- +39 dBm Input IP3
- +26 dBm Input P1dB
- +6V Operation

**Characteristic Performance**

To obtain price, delivery, or to place an order contact sales@xitrotech.com

www.xitrotech.com

Outline Dimensions

Dimensions are in (mm). Tolerances: $\pm .015$ mm

Note:

1. Case material: Aluminum
2. Case finish : Anodized