

2 Ways Power Splitter, 12 – 43.5 GHz, 50Ω
Description

XIPD1243 is a 2-way 0° splitter/combiner designed for wideband operation from 24 to 30 GHz supporting many applications requiring high performance across a wide frequency range including phased array radars, 5G applications, as well as instrumentation and more. This model provides excellent power handling up to 0.5W (as a splitter/combiner) with good isolation, and low phase and amplitude unbalance in a small enclosure.

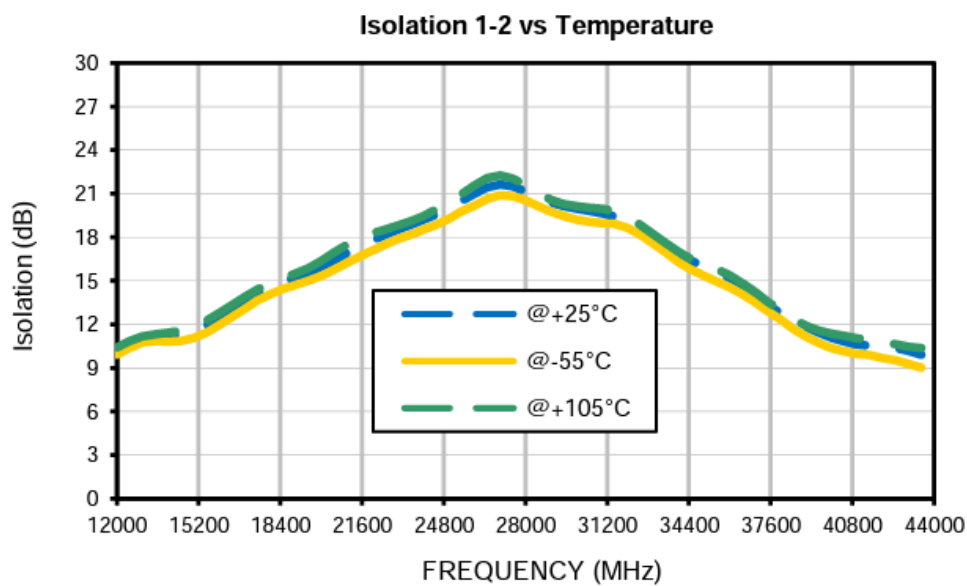
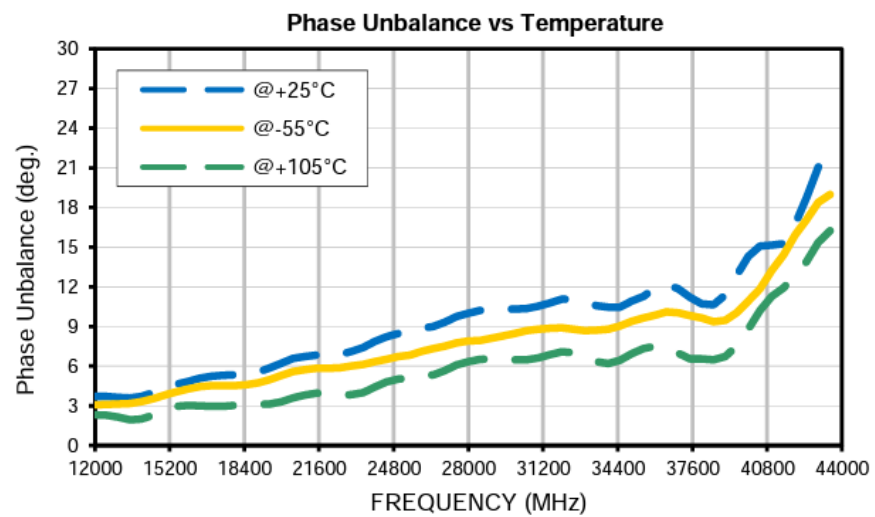
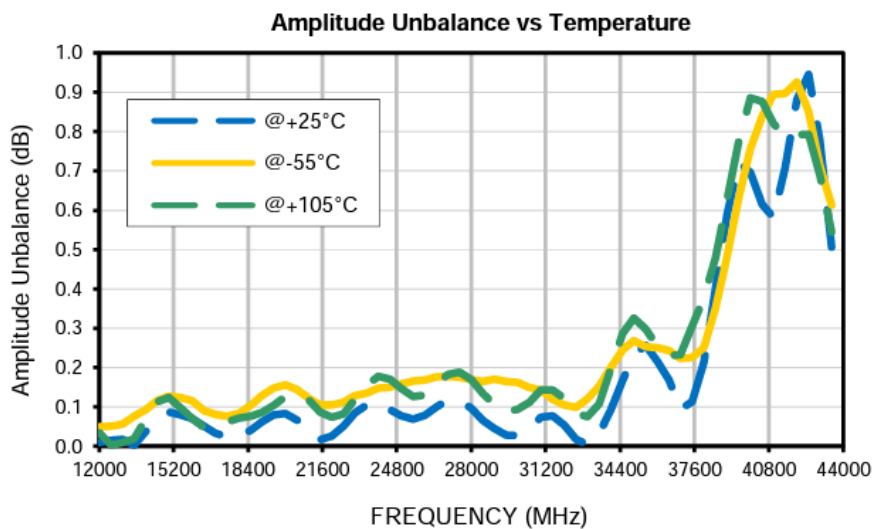
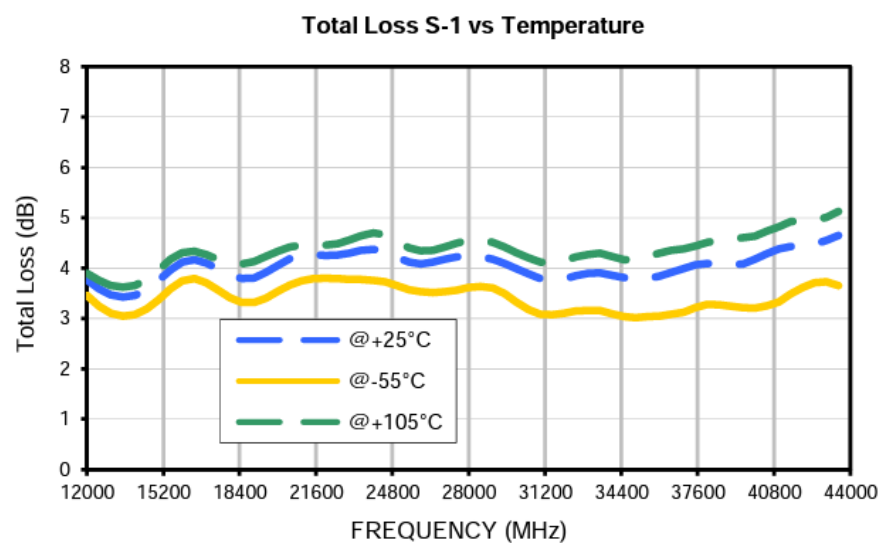
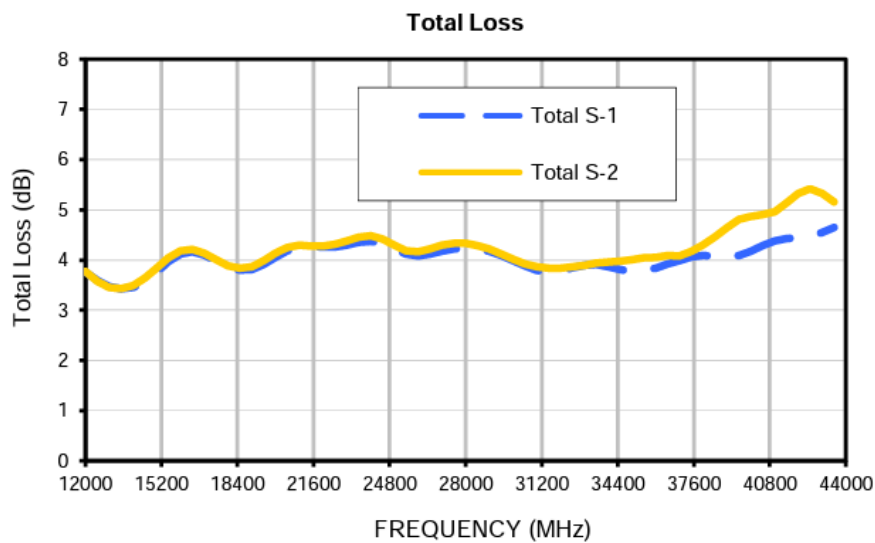
Features

- Wide bandwidth, 12 to 43.5 GHz
- High isolation, 24 dB typ. at 27 GHz
- Excellent amplitude unbalance, 0.1 dB typ. at 27 GHz
- Good phase unbalance, 4° at 27 GHz

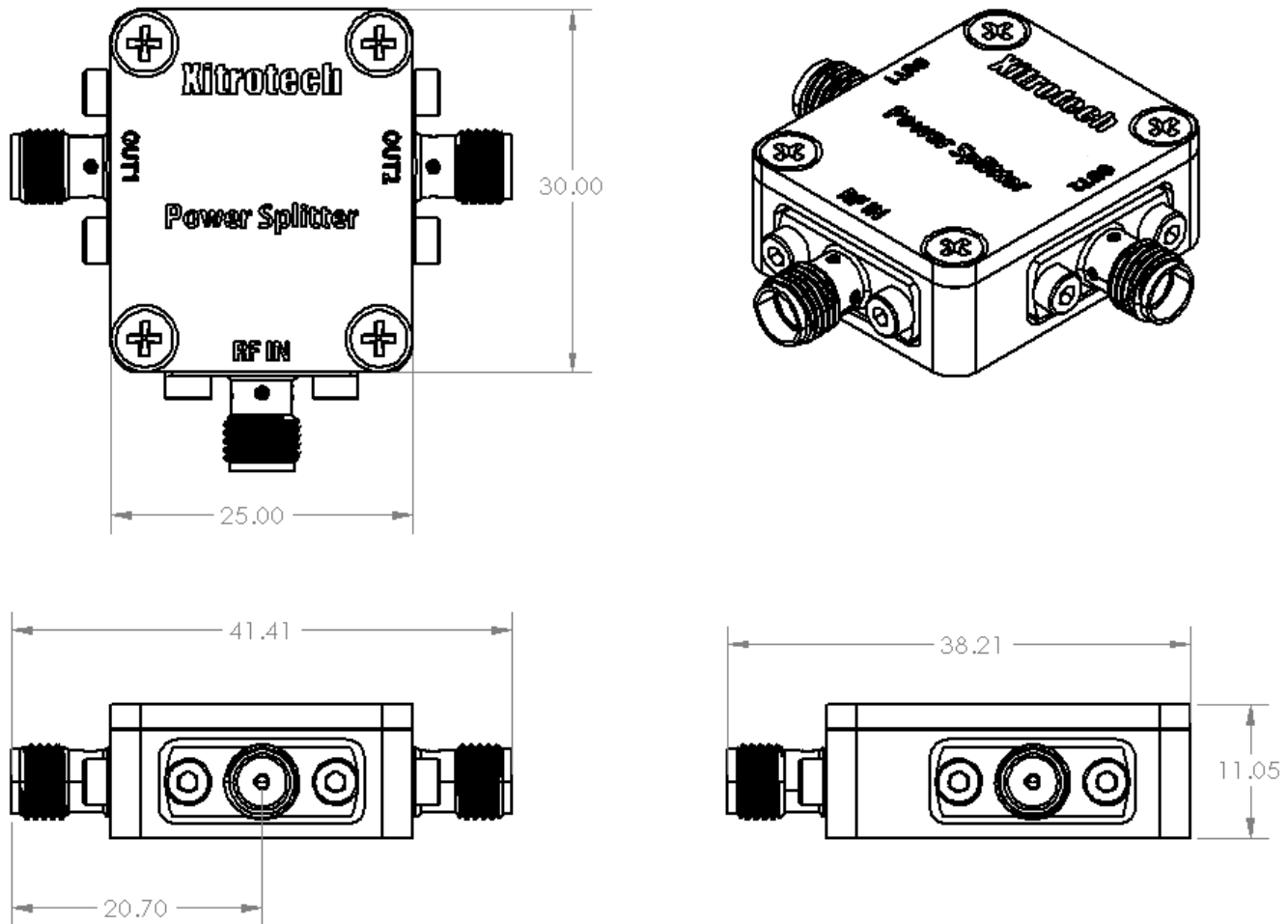

ELECTRICAL SPECIFICATIONS AT 25°C

Parameter	Frequency (GHz)	Min.	Typ.	Max.	Unit
Frequency Range		12		43.5	GHz
Insertion Loss above 3.0 dB	12-24		1.1	2.0	dB
	24-30		1.3	2.1	
	30-43.5		1.4	2.9	
Isolation	12-24	8	15		dB
	24-30	16	23		
	30-43.5	7	16		
Phase Unbalance	12-24		1.2	11	Degree
	24-30		1.7	13	
	30-43.5		3.0	19	
Amplitude Unbalance	12-24		0.1	0.5	dB
	24-30		0.1	0.7	
	30-43.5		0.2	1.5	
VSWR (Port S)	12-24		1.7		:1
	24-30		1.7		
	30-43.5		1.2		
VSWR (Port 1-2)	12-24		1.4		:1
	24-30		1.5		
	30-43.5		1.6		
Power Handling	As a splitter	12-43.5		0.5	W
	As a combiner	12-43.5		0.5	

Typical Performance Curves



Outline Dimensions



Dimensions are in (mm). Tolerances: $\pm .015$ mm

Note:

1. Case material: Aluminum
2. Case finish : Anodized