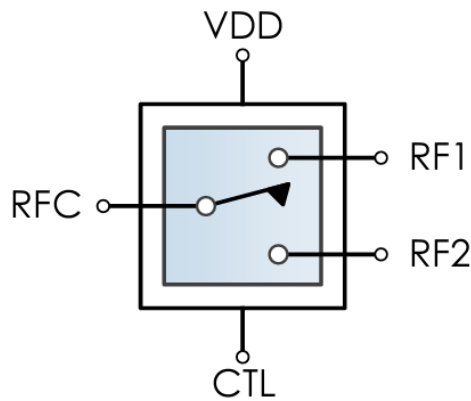
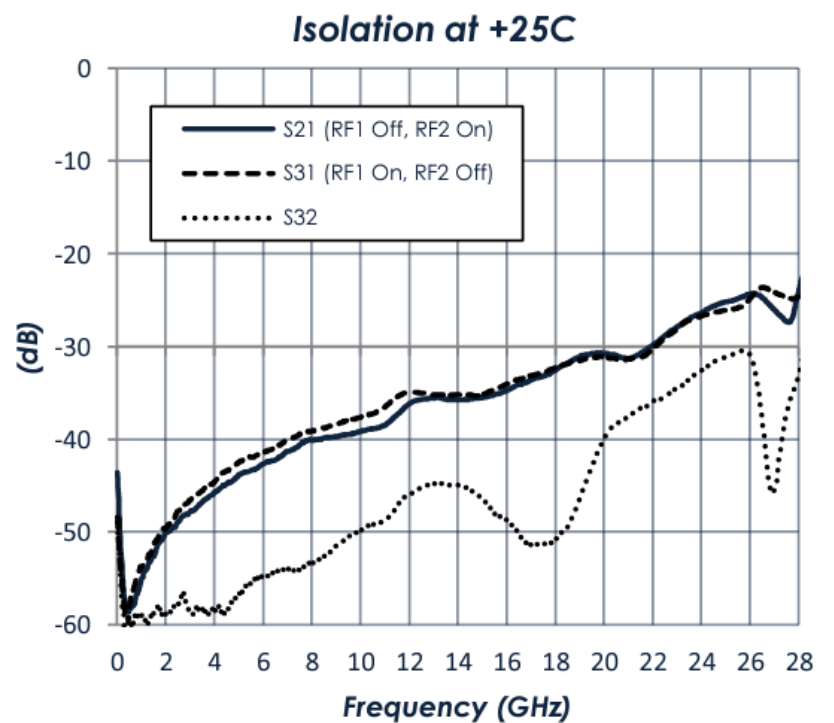
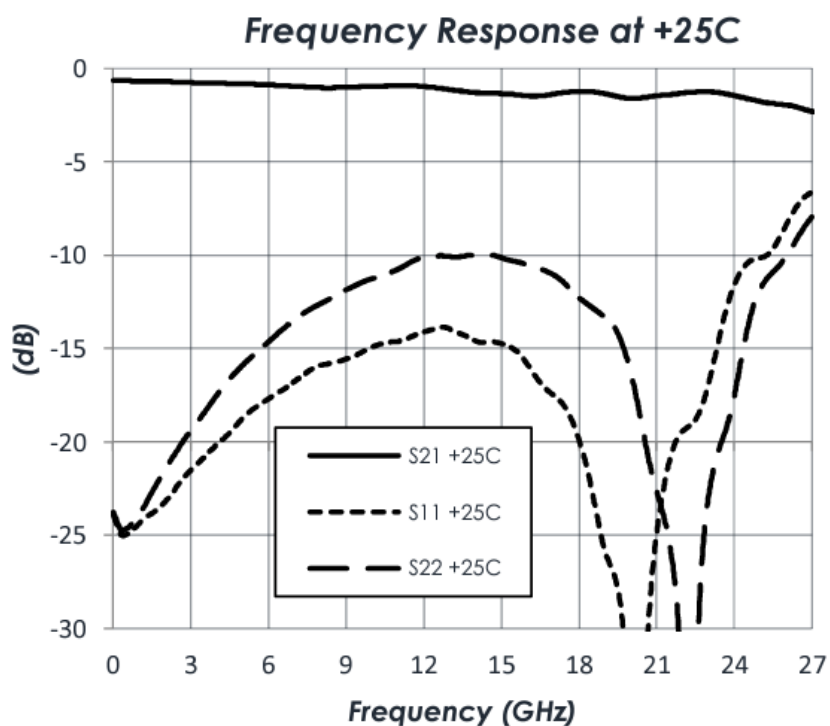


**DC – 26.5 GHz SPDT Switch**
**Description**

XISW0265-2 is a Single-Pole Double-Throw (SPDT) switch covering the DC to 26.5 GHz frequency range. The positive control device exhibits low insertion loss, flat frequency response, and high isolation.

**Features**

- 2.0 dB Insertion Loss
- +40 dBm Input IP3
- >35 dB Isolation
- Supply (+6V)
- Control (+5V)

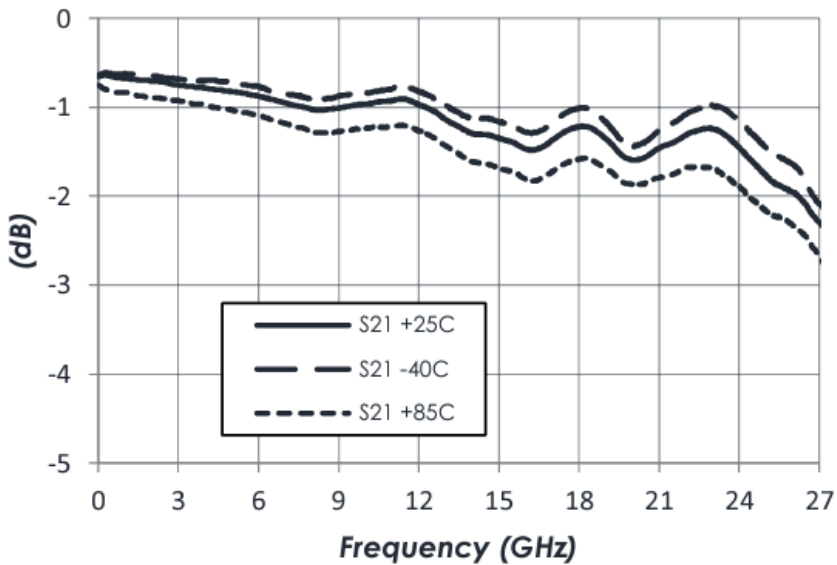

**Characteristic Performance**


**State Table**

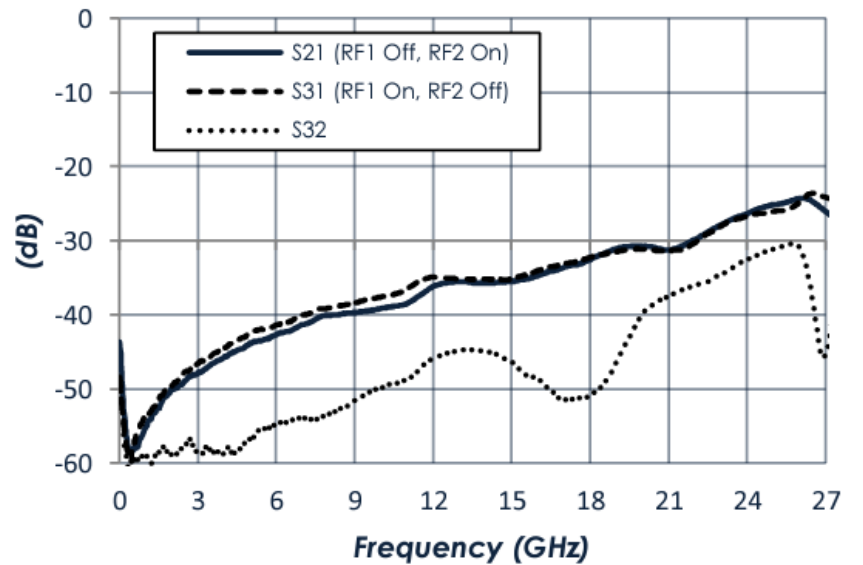
CTL	State
Low	RFC to RF1
High	RFC to RF2

**Typical Performance**

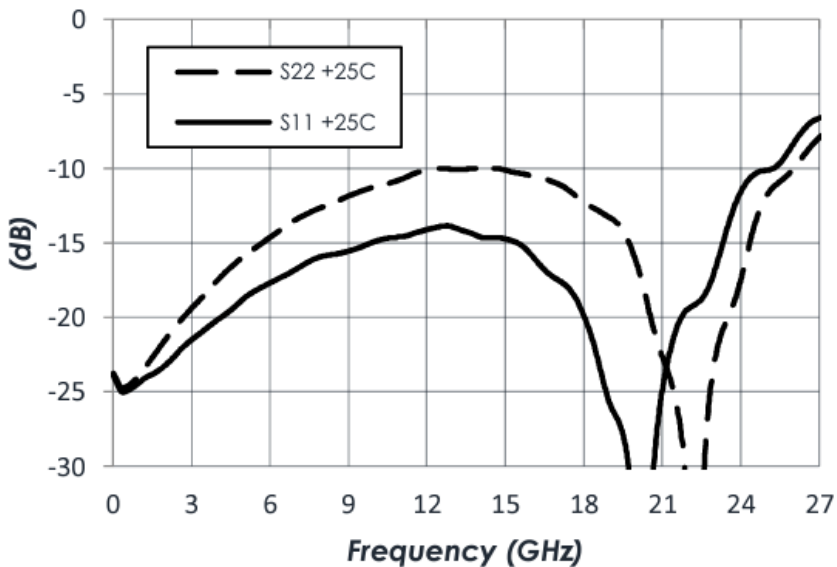
*Insertion Loss vs Temperature*



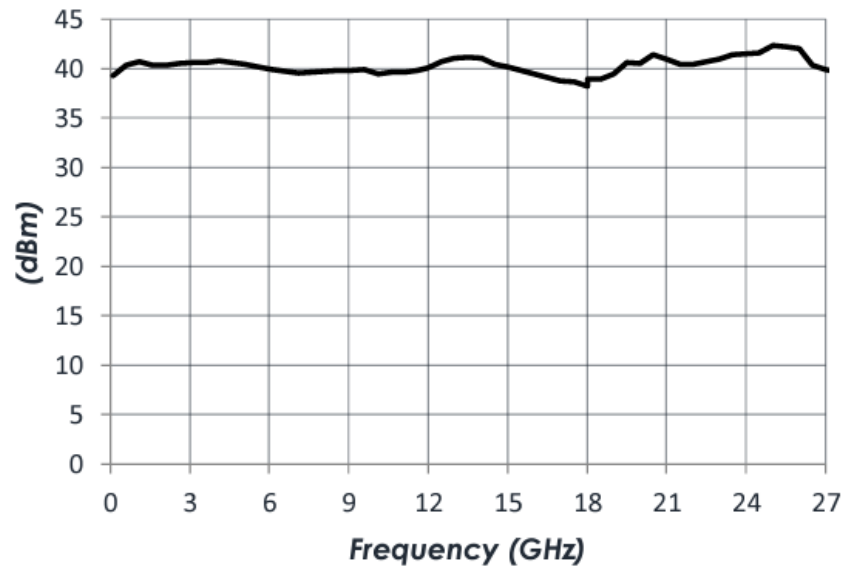
*Isolation at +25C*



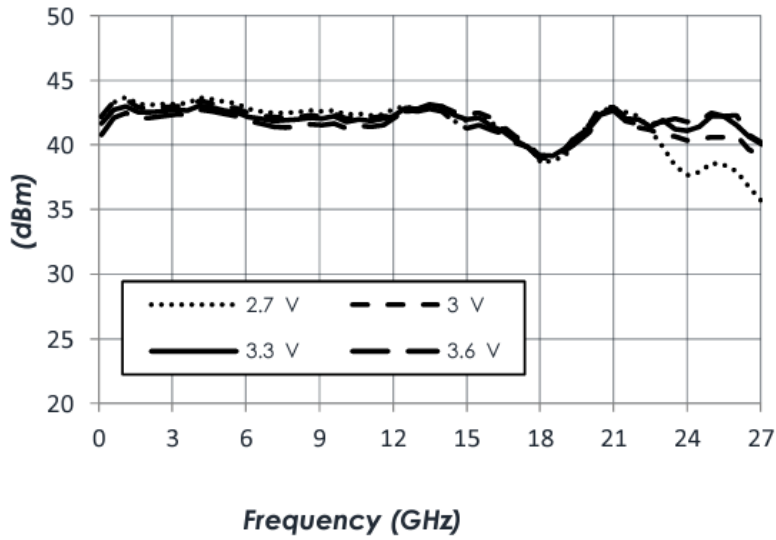
*Return Loss at +25C*



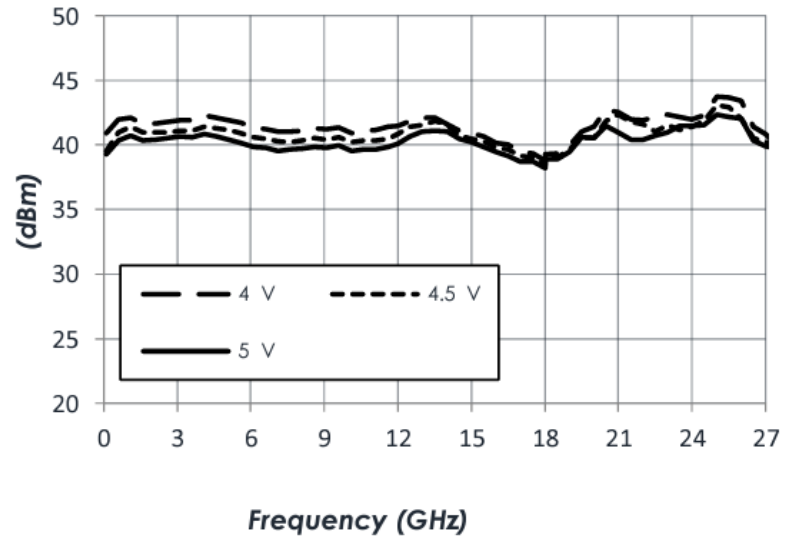
*Input IP3 at +25C*



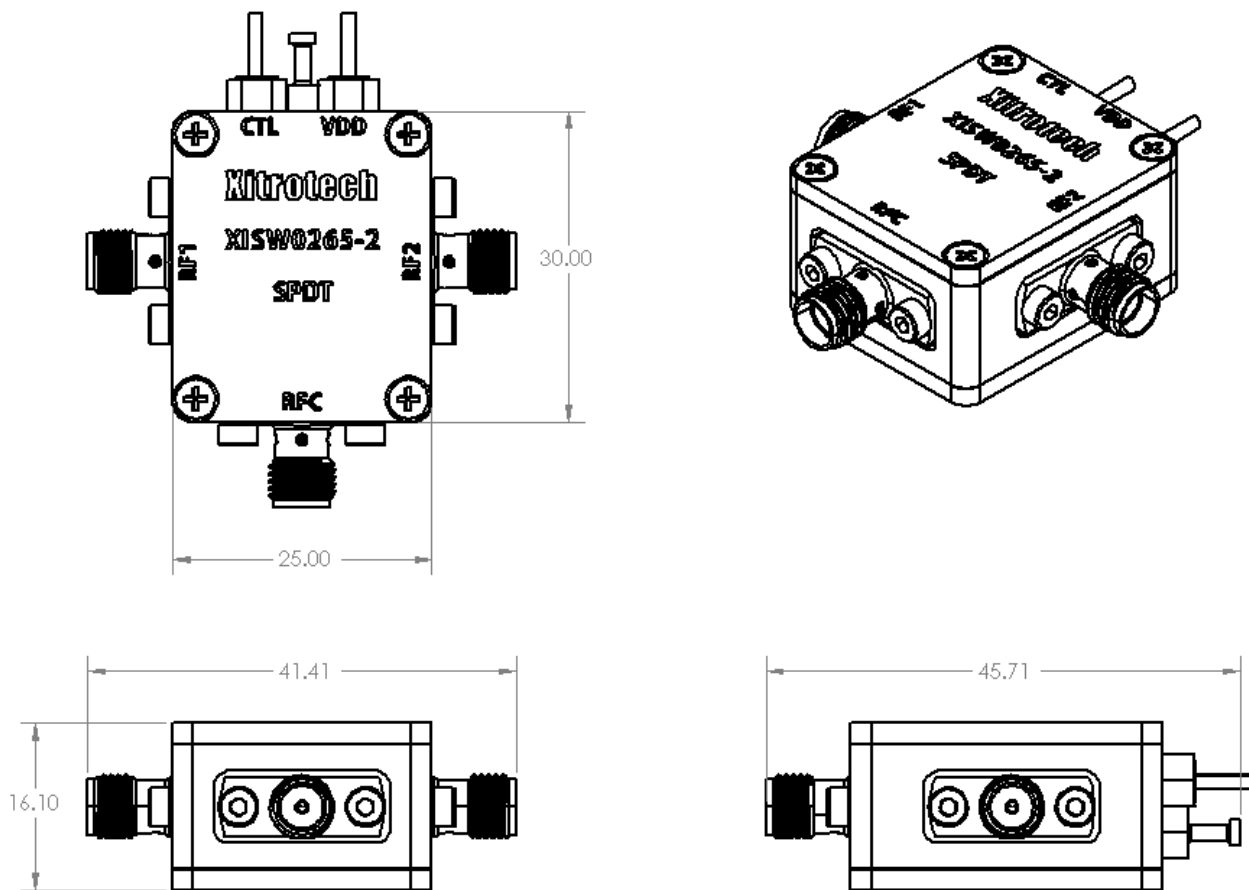
*Input IP3 at +25 C*



*Input IP3 at +25 C*



**Outline Dimensions**



Dimensions are in (mm). Tolerances:  $\pm .015$  mm

**Note:**

1. Case material: Aluminum
2. Case finish : Anodized

To obtain price, delivery, or to place an order contact [sales@xitrotech.com](mailto:sales@xitrotech.com)

[www.xitrotech.com](http://www.xitrotech.com)