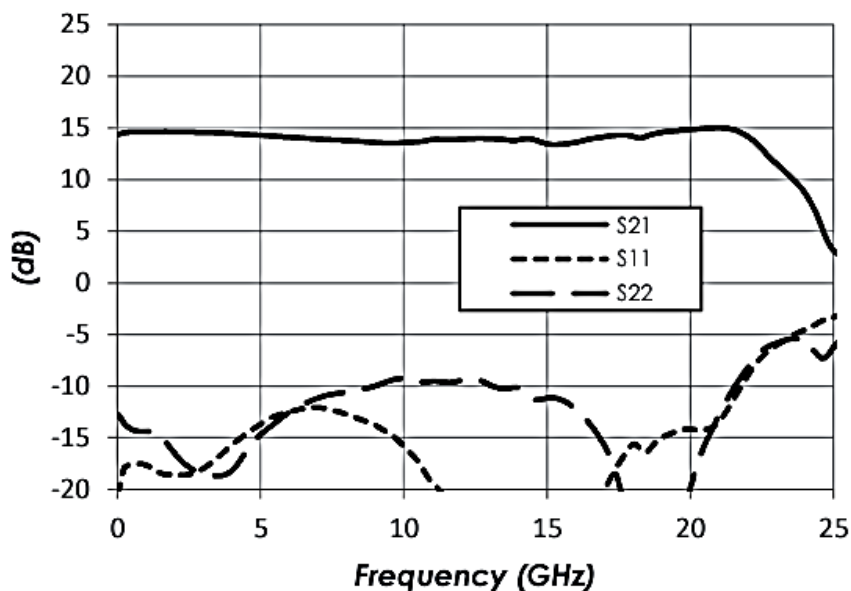
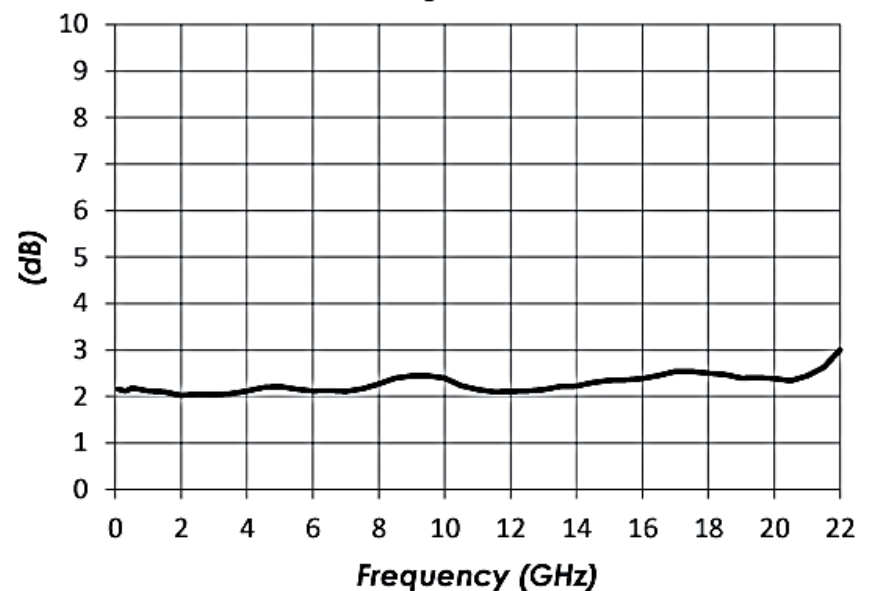


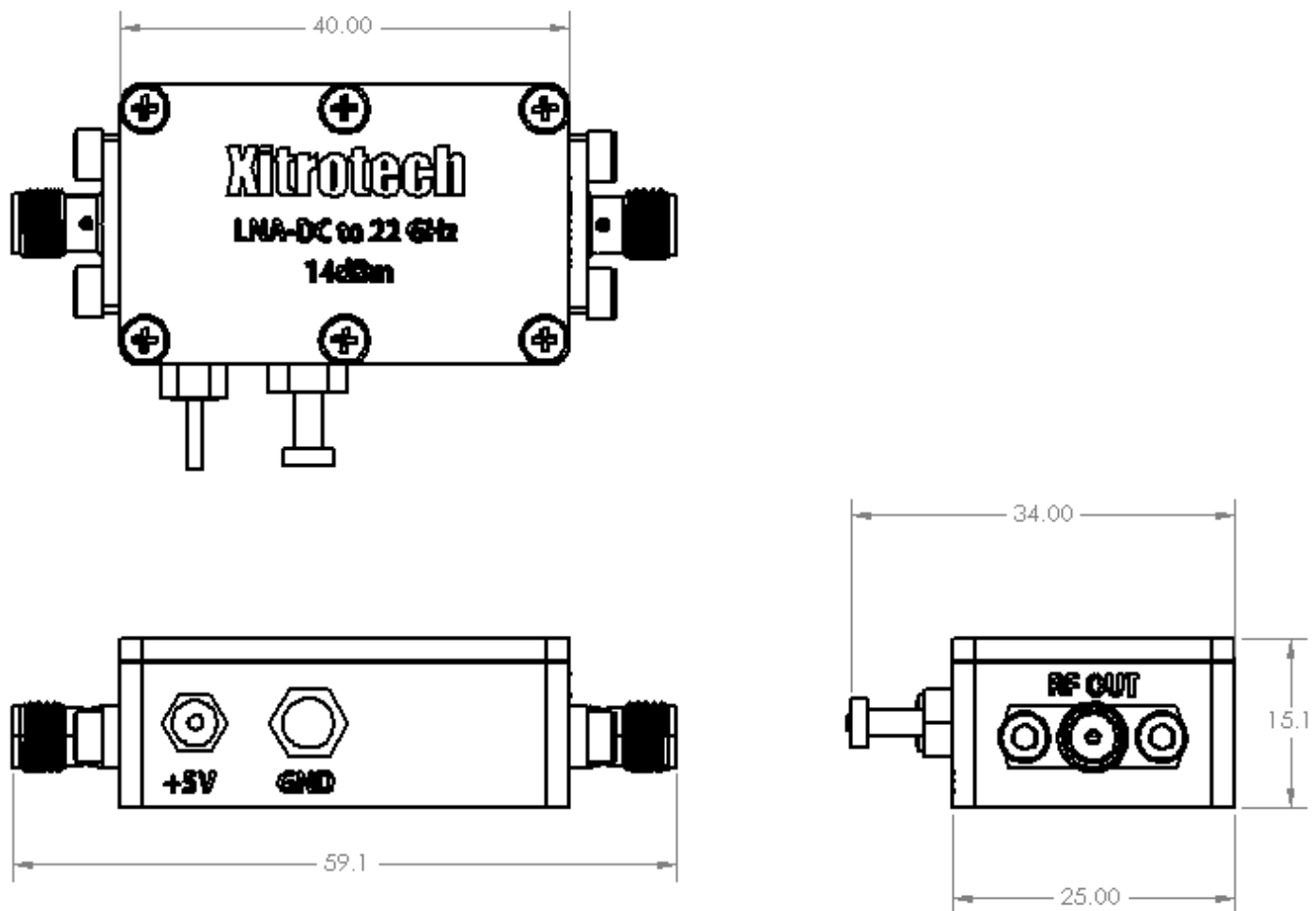
DC to 22 GHz Amplifier**Description**

XILNA1422 is a wideband, cascadable amplifier servicing the DC to 22 GHz frequency range. The device exhibits moderate gain and excellent noise figure over a wide frequency range which makes the XILNA1422 a useful module for many broadband applications. I/O 50Ω matching, and drawing less than 200mW of power.

Features

- 14 dB Gain
- 2.3 dB Noise Figure
- +26 dBm OIP3
- +15 dBm P1dB
- +5V Operation

**Characteristic Performance****Gain and Return Loss at +25C****Noise Figure at +25C**

Outline Dimensions

Dimensions are in (mm). Tolerances: $\pm .015$ mm

Note:

1. Case material: Aluminum
2. Case finish : Anodized