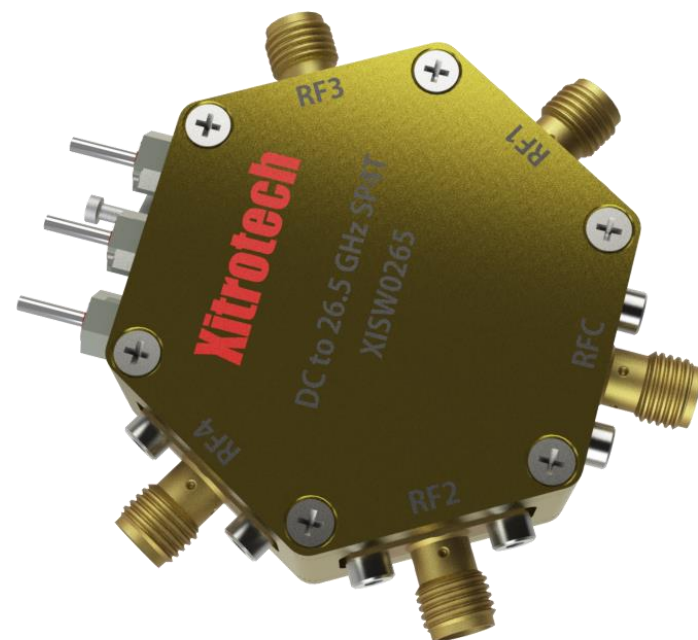
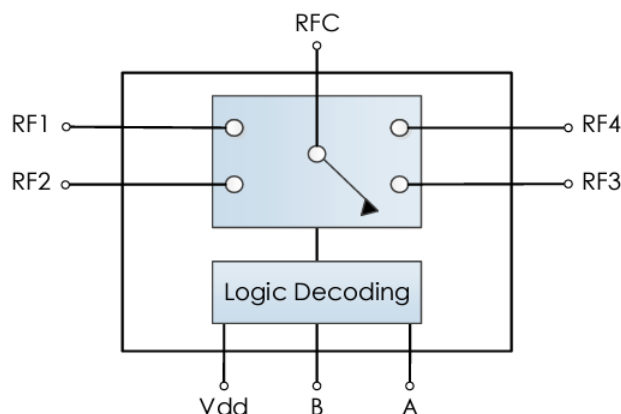
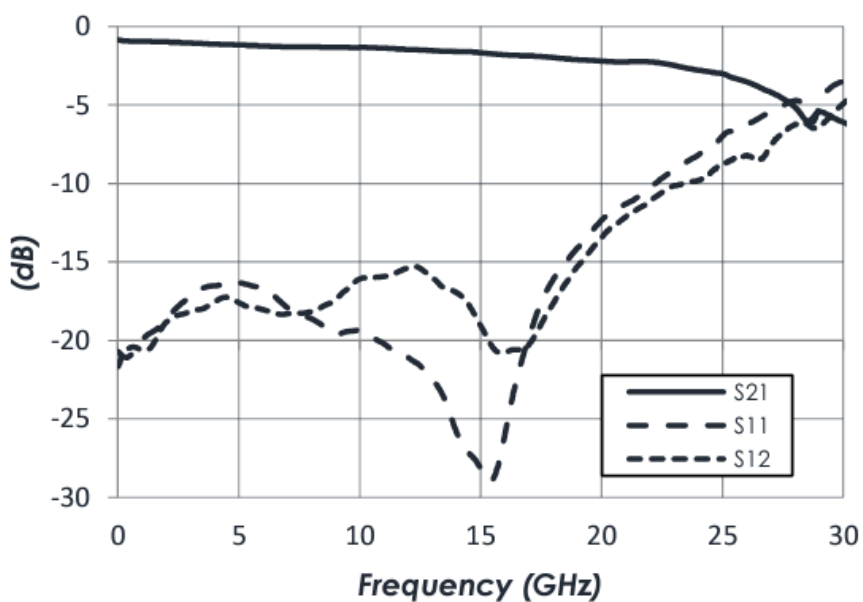
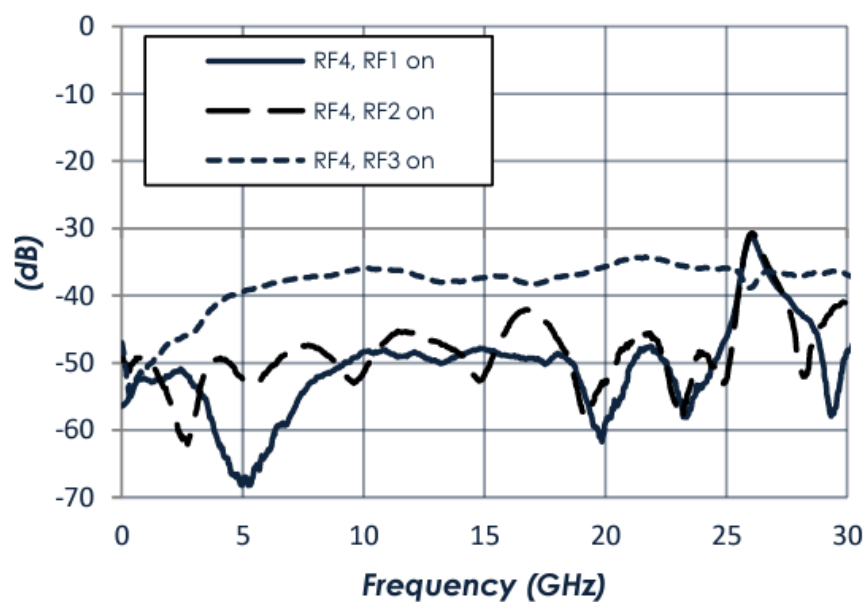


**DC – 26.5 GHz SP4T Switch**
**Description**

The XISW0265 is a single-pole four-throw (SP4T) reflective switch that covers the DC to 26.5 GHz frequency range, suitable for a wide range of wireless applications. The XISW0265 offers low insertion loss, flat frequency response, high isolation and linearity, and fast switching speed, making this switch ideal for low-power, high-frequency transmit/receive applications. The XISW0265 requires only one positive power supply and two positive control voltages. With internal 50Ω matching, an internal decoder circuit, and low current in a small enclosure.

**Features**

- 2.0 dB Insertion Loss
- +40 dBm Input IP3
- >35 dB Isolation
- Supply (+6V)
- Control (+5V)

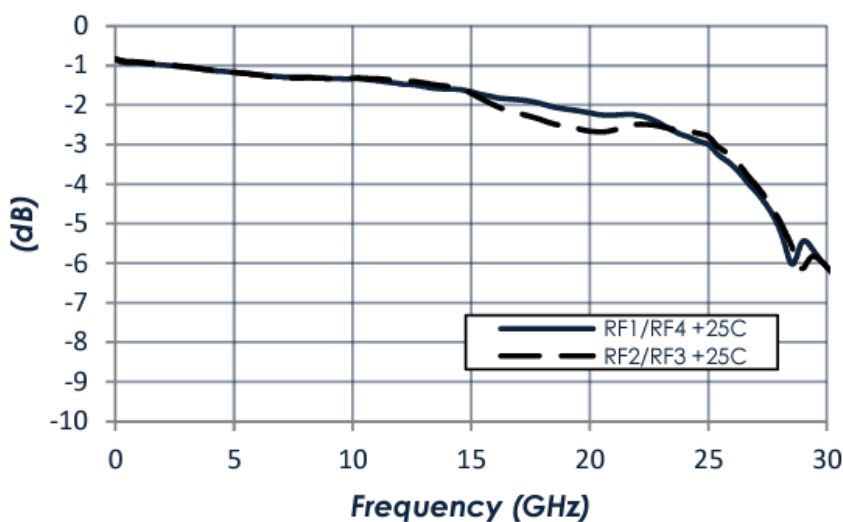

**Characteristic Performance**
**Frequency Response at +25C**

**Isolation at +25C**


**State Table**

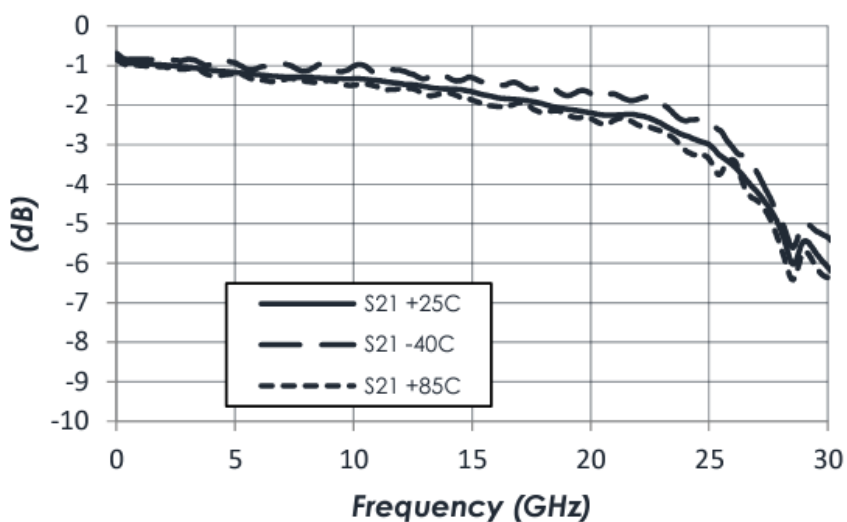
A	B	State
L	L	RFC → RF1
L	H	RFC → RF2
H	L	RFC → RF3
H	H	RFC → RF4

**Typical Performance**

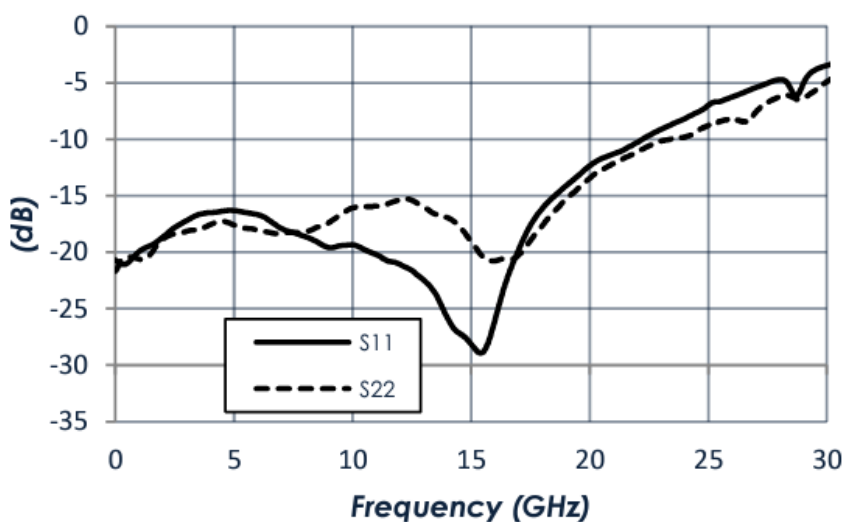
*Insertion Loss at +25C*



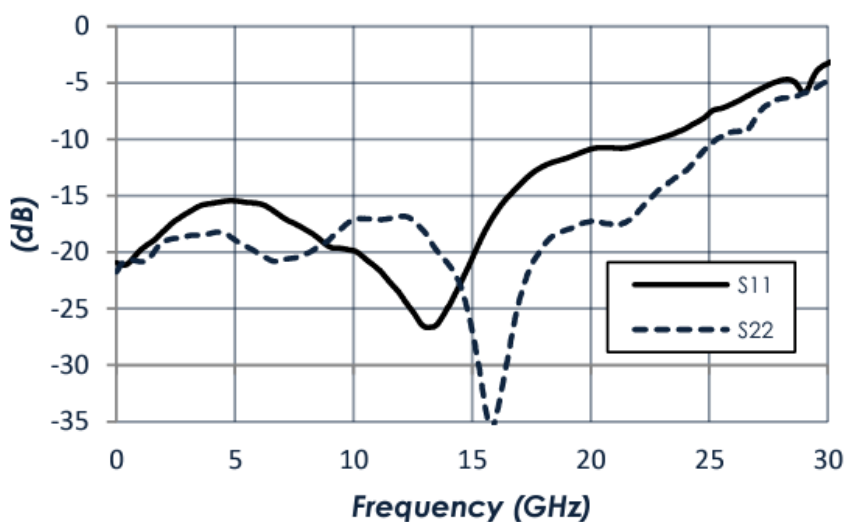
*Insertion Loss vs Temperature*



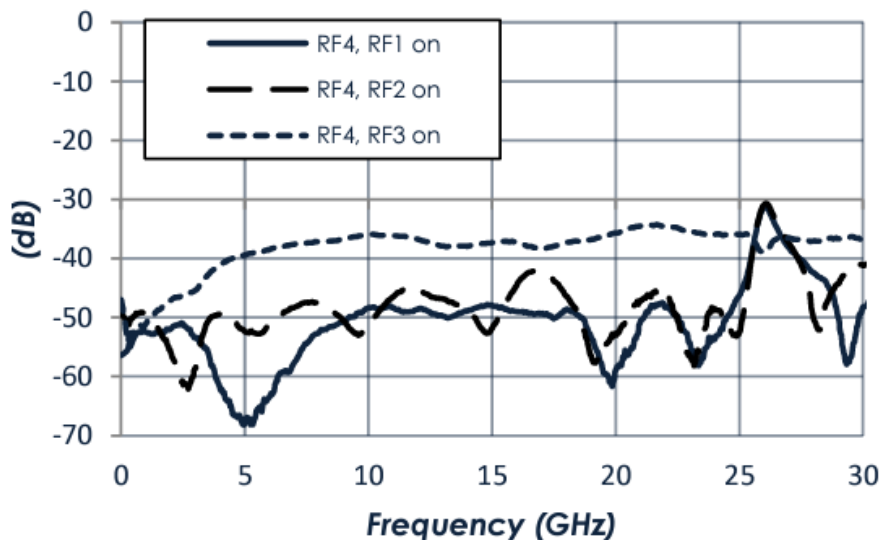
*RF1/RF4 Return Loss at +25C*



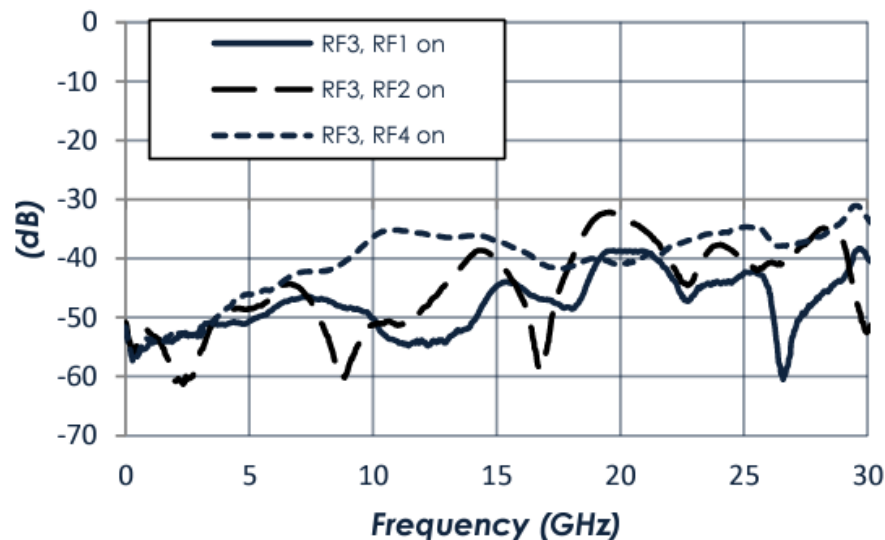
*RF2/RF3 Return Loss at +25C*



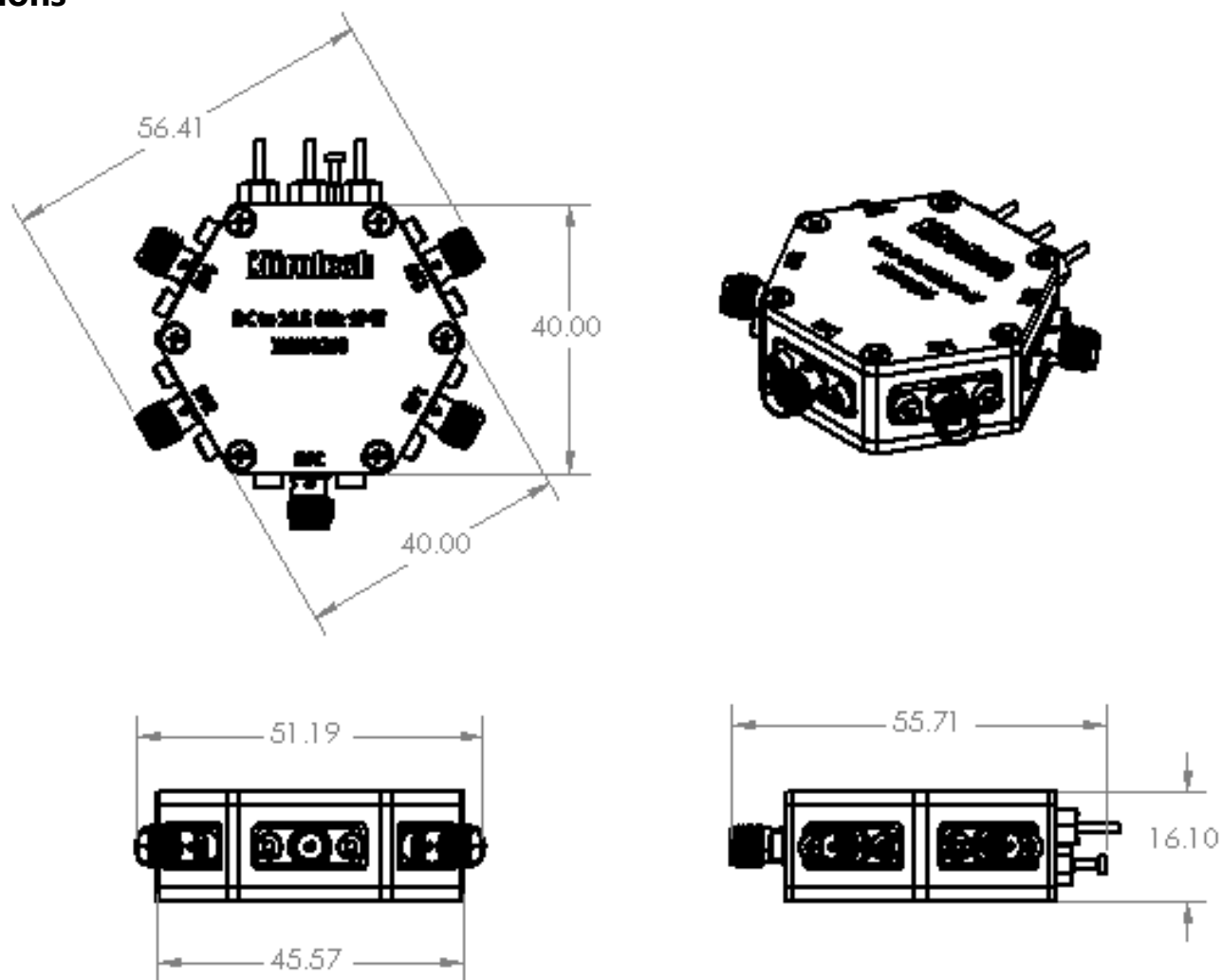
**Isolation at +25C**



**Isolation at +25C**



**Outline Dimensions**



Dimensions are in (mm). Tolerances:  $\pm .015$  mm

**Note:**

1. Case material: Aluminum
2. Case finish : Anodized

To obtain price, delivery, or to place an order contact [sales@xitrotech.com](mailto:sales@xitrotech.com)

[www.xitrotech.com](http://www.xitrotech.com)