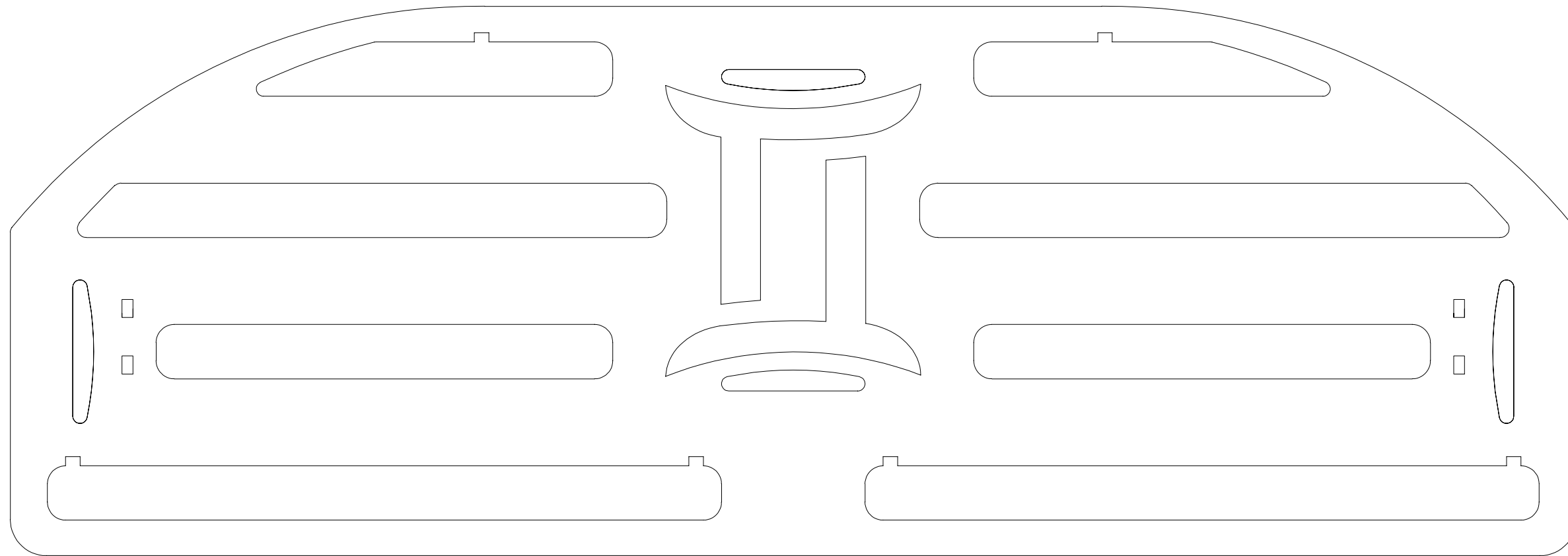
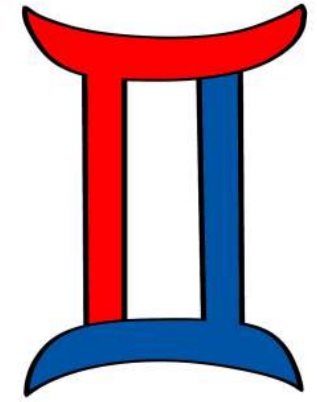
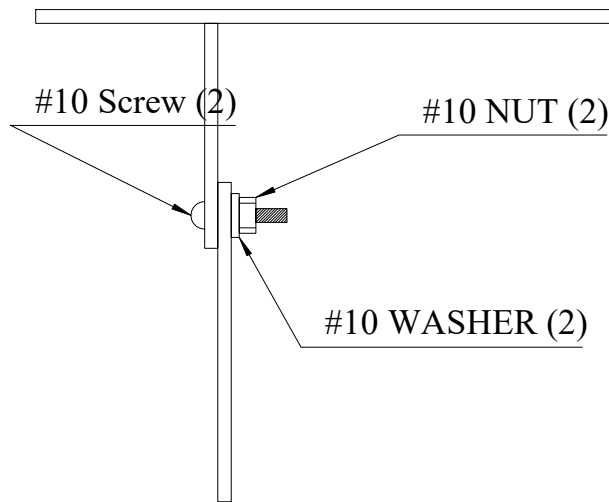


PK360 SHELF INSTALLATION



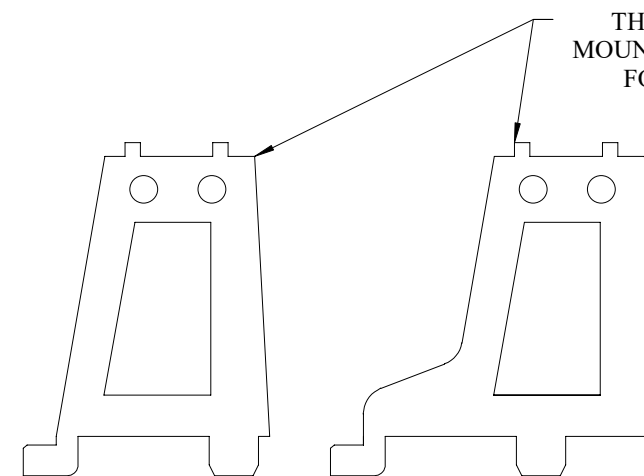
MAKE SURE MOUNTING TABS ARE MOUNTED IN THIS POSITION



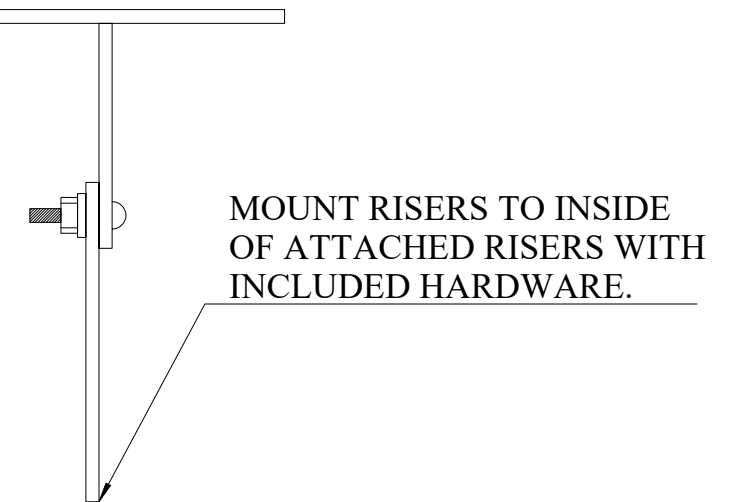
#10 Screw (2)

#10 NUT (2)

#10 WASHER (2)



THE DIFFERENT RISERS CAN BE MOUNTED ON EITHER SIDE TO ADJUST FOR ALIGNMENT AS DESIRED.



MOUNT RISERS TO INSIDE OF ATTACHED RISERS WITH INCLUDED HARDWARE.

The kit contains the shelf with 2 RISERS and mounting hardware. The GRILL GRATE PK-360 grates contain 5 grates but you can only use 4. The shelf will fit on either setup. The center spacing of the shelf over the grill grates requires the mounting to be offset but the shelf will be centered. We supply a straight and offset riser due to this to keep the shelf centered.

Gemini Grill Fixtures
www.geminibbq.com