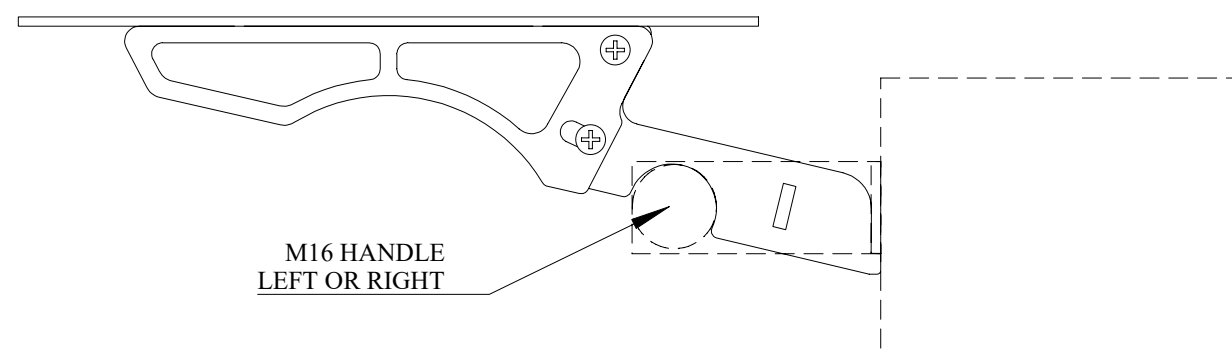
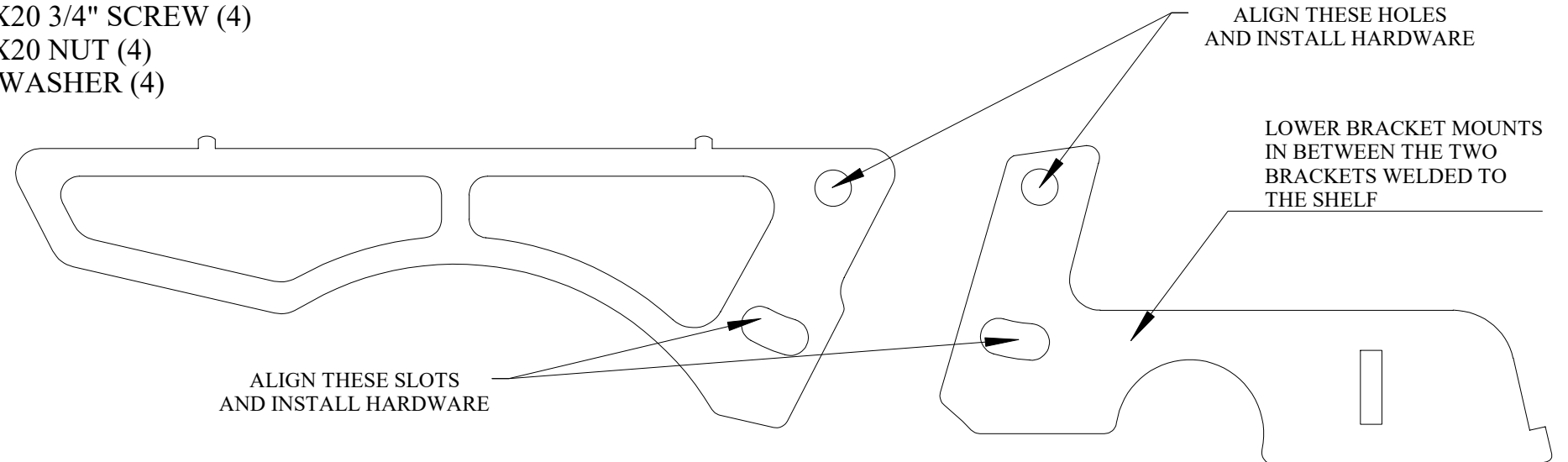


ATTACH LOWER BRACKET ASSEMBLY TO THE SHELF BRACKETS. LOWER ASSEMBLY WILL MOUNT INT BETWEEN THE SHELF BRACKETS USING THE SUPPLIED HARDWARE (SCREW, WASHER AND NUT PER HOLE)

LOOSELY MOUNT HARDWARE AND SET THE SHELF ASSEMBLY ONTO YOUR MGRILLS HANDLE. ADJUST THE SHELF TO LEVEL.AND TIGHTEN HARDWARE.

## GEMINI SHELF FOR THE M GRILLS M16

- CONTENTS:  
 SHELF WITH BRACKETS (1)  
 LOWER BRACKET (1)  
 1/4X20 3/4" SCREW (4)  
 1/4X20 NUT (4)  
 1/4 WASHER (4)



Gemini Grill Fixtures  
[www.geminibbq.com](http://www.geminibbq.com)