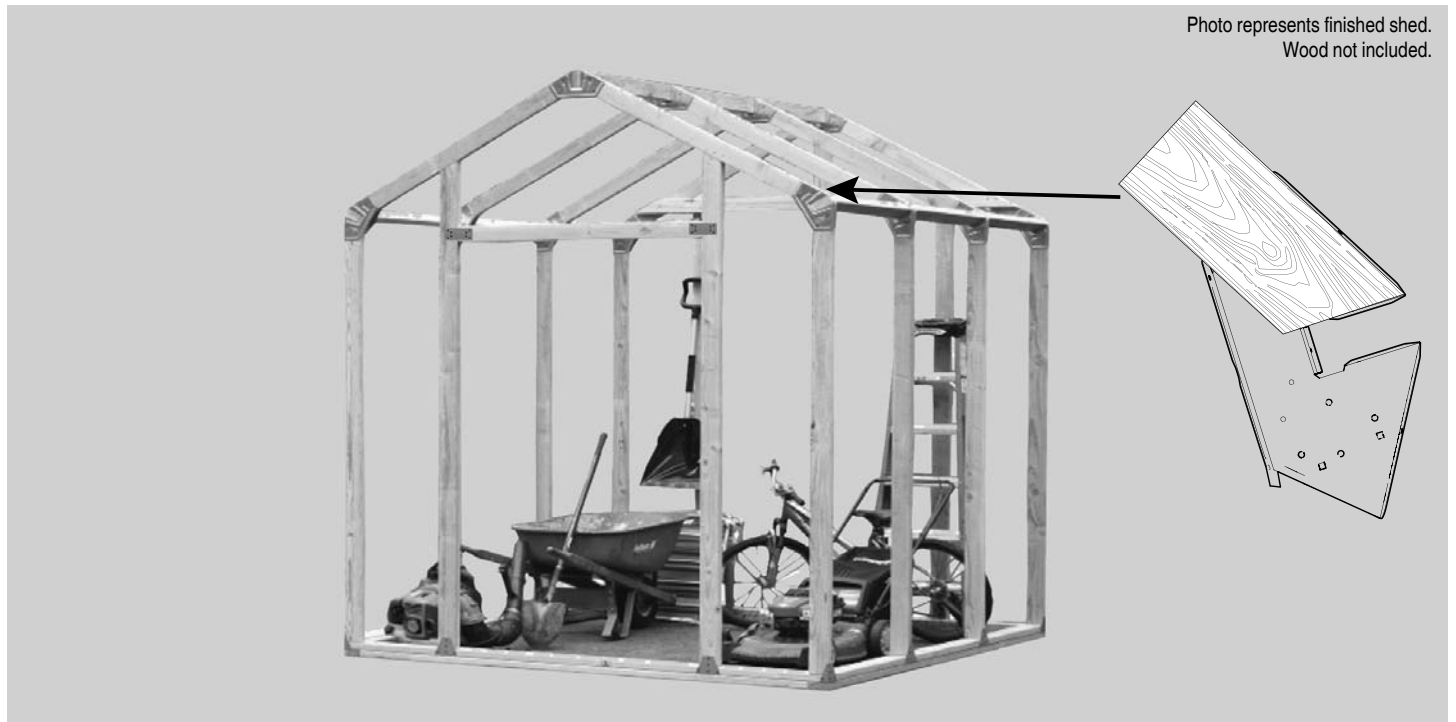


EZ BUILDER™

FRAMER SHED KIT #503

ASSEMBLY MANUAL

LOT#:



Customer Service

If you have a question or concern

Email: service@neopmail.net

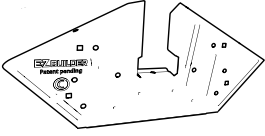
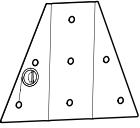
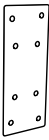
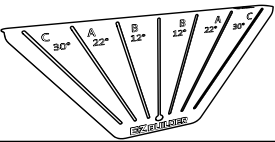
or call 203-591-9033

Monday-Friday 8:30am-4:30pm EST

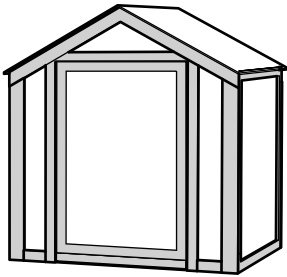
PDF manual <https://ezgomanuals.com>

DO NOT RETURN TO THE STORE!

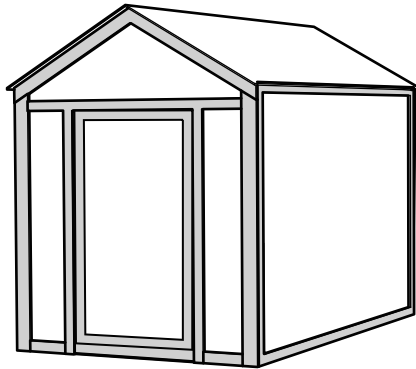
Please read instructions fully before beginning assembly

NO	Illustration	Description	Part #	QTY.
1		Angle Bracket	C	24
2		Stud Bracket	D	12
3		Door header Bracket	E	4
4		Angles Jig	8111	1

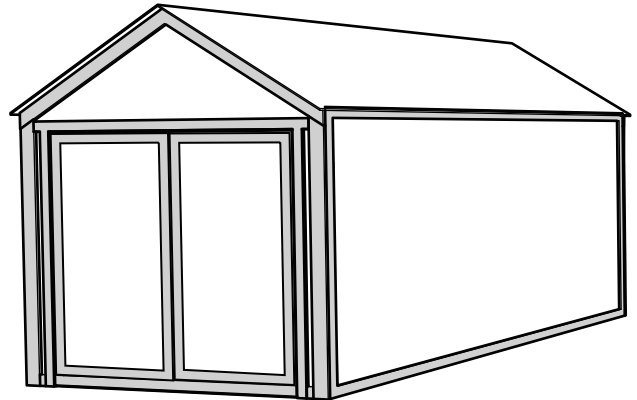
ADDITIONAL KITS ARE NEEDED TO BUILD LARGER SIZES



7ft. wide X 8ft. long
2133mm x 2438mm
1 kit



8ft. wide X 14ft. long
2438mm x 4267mm
2 kits

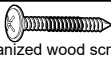



10ft. wide X 22ft. long
3048mm x 6705mm
3 kits

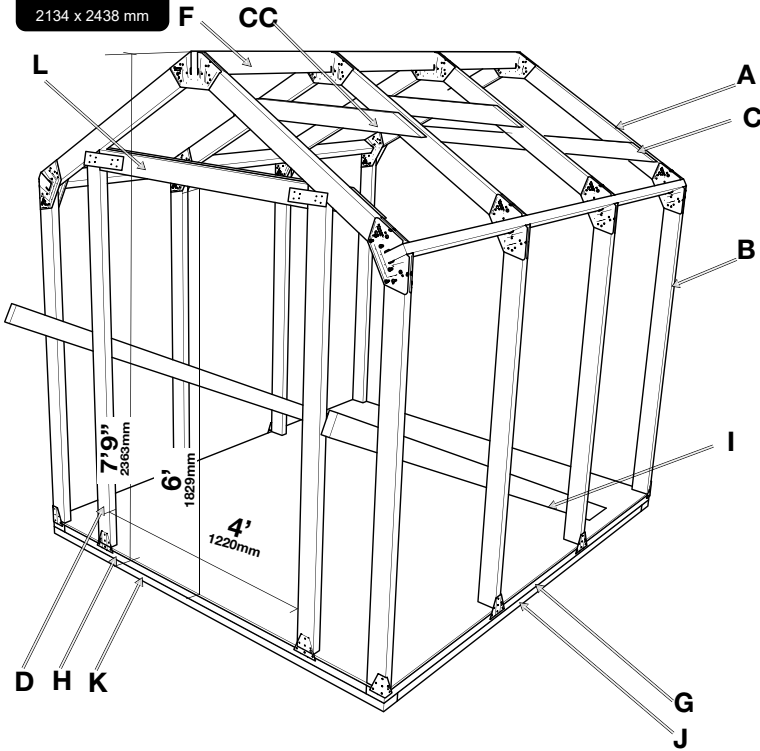
RECOMMENDED TOOLS



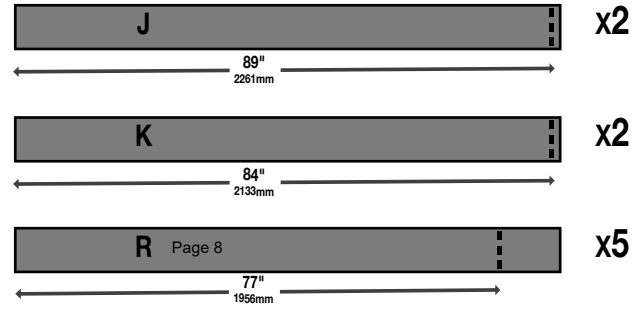
MATERIAL LIST BY BUILDING SIZE

		7 ft. wide x 8 ft. long	8 ft. wide x 14 ft. long	10 ft. wide x 22 ft. long
1	Ez Builder kit	1	2	3
2	8 ft. 2x4's	27	35	14
3	10 ft. 2x4's	\	14	20
4	12 ft. 2x4's	5	\	7
5	14 ft. 2x4's	\	6	24
6	16 ft.2x4's	\	\	6
7	8 ft. Pressure-Treated 2x4's	9	12	\
8	10 ft. Pressure-Treated 2x4's	\	\	18
9	12 ft. Pressure-Treated 2x4's	\	\	1
10	14 ft. Pressure-Treated 2x4's	\	2	\
11	16 ft. Pressure-Treated 2x4's	\	\	2
12	8 ft. 2x4's Temporary Bracing	4	6	10
13	4x8 Sheets for Roof - 1/2 in.	4	6	12
14	4x8 Sheets for Sheathing- 1/2 in.	8	13	18
15	4x8 Sheets for floor 3/4 in.	2	4	7
16	Roofing Material	64 SQ.ft.	150 SQ.ft.	264 SQ.ft.
17	8 ft. 1x4's Trim edging	4	12	13
18	10 ft. 1x4's Trim edging	5	\	7
19	12 ft. 1x4's Trim edging	3	\	4
20	14 ft. 1x4's Trim edging	\	4	\
21	8 ft. 1x6's Trim edging	\	4	4
22	10 ft. 1x6's Trim edging	\	\	\
23	12 ft. 1x6's Trim edging	4	2	2
24	14 ft. 1x6's Trim edging	\	\	\
25	1  1/4 in. 32mm Galvanized wood screws	3 lbs./ 1.4kg	4 lbs./ 1.9kg	5 lbs./ 2.3kg
26	2  1/2 in. 64mm Galvanized wood screws	3 lbs./ 1.4kg	4 lbs./ 1.9kg	5 lbs./ 2.3kg

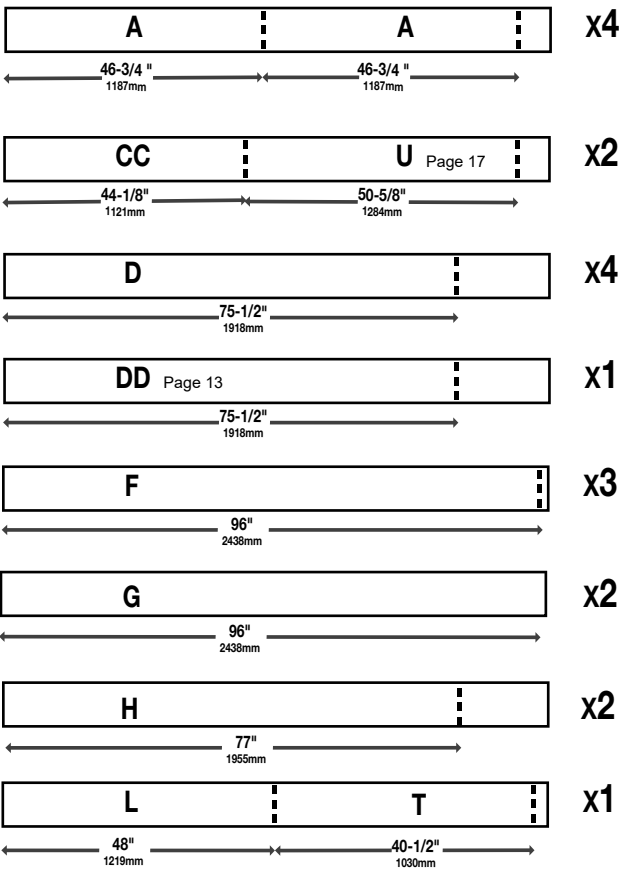
7 ft. x 8 ft.
2134 x 2438 mm



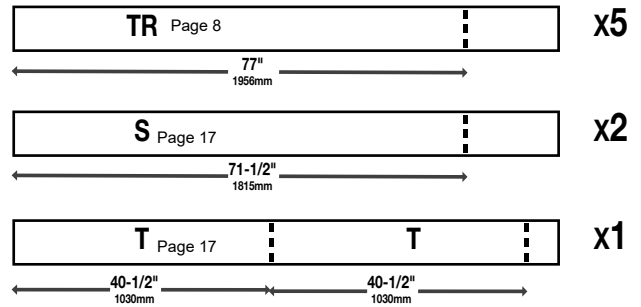
2x4 x 8ft. 38x89x2438mm
Pressure treated



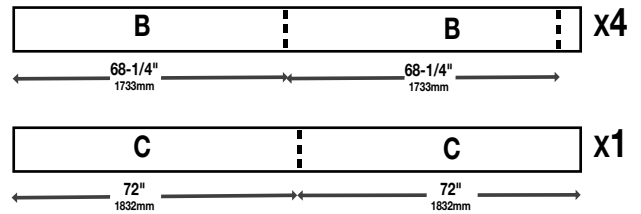
2x4 x 8ft. 38x89x2438mm



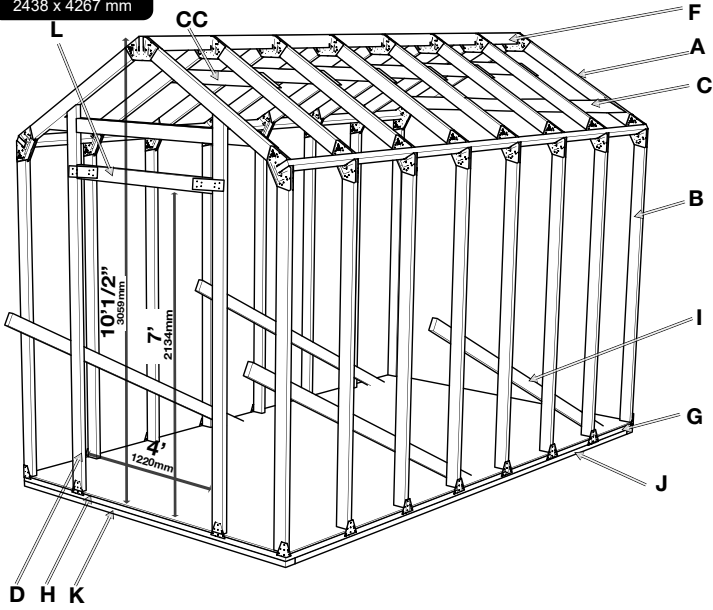
2x4 x 8ft. 38x89x2438mm



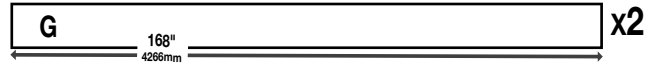
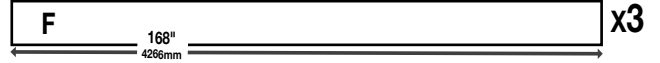
2x4 x 12ft. 38x89x3657mm



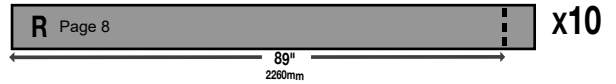
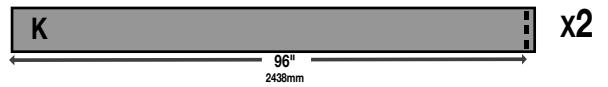
8 ft. x 14 ft.
2438 x 4267 mm



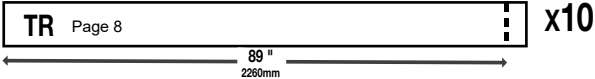
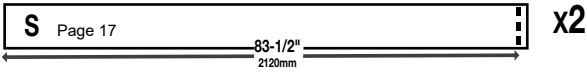
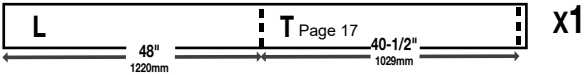
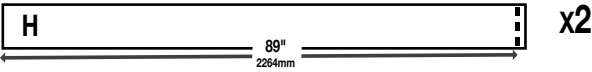
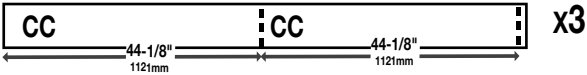
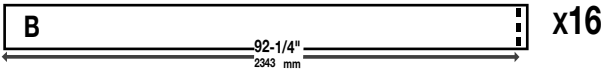
2x4 x 14ft. 38x89x4267mm



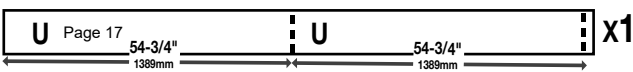
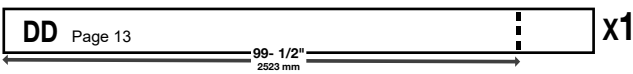
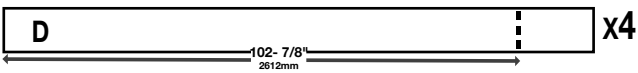
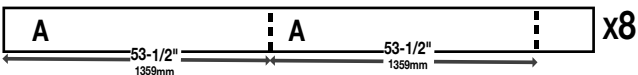
2x4 x 8ft. 38x89x2438mm
Pressure treated



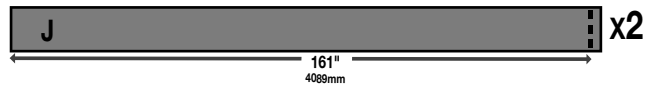
2x4 x 8ft. 38x89x2438mm



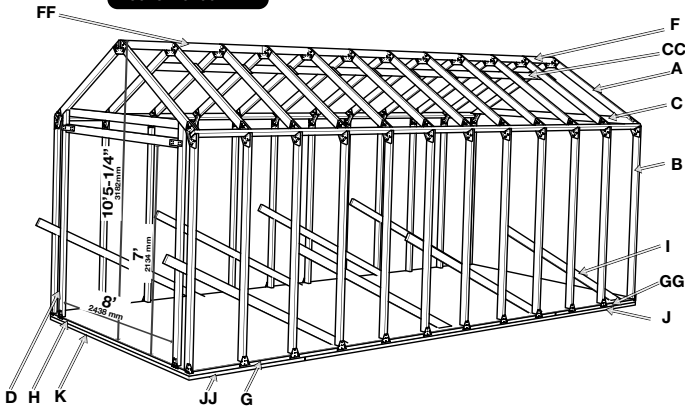
2x4 x 10ft. 38x89x3048mm



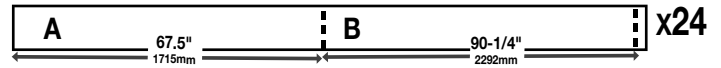
2x4 x 14ft. 38x89x4267mm
Pressure treated



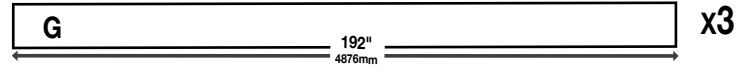
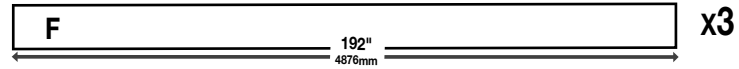
10 ft. x 22 ft.
3048 x 6706 mm



2x4 x 14ft. 38x89x4267mm

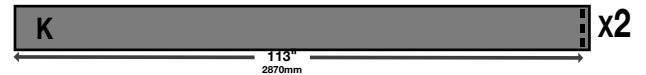


2x4 x 16ft. 38x89x4877mm



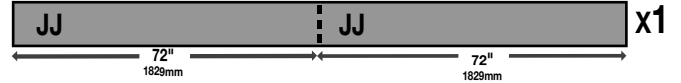
2x4 x 10ft. 38x89x3048mm

Pressure treated



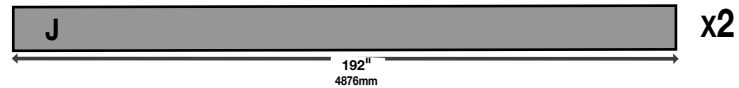
2x4 x 12ft. 38x89x3657mm

Pressure treated

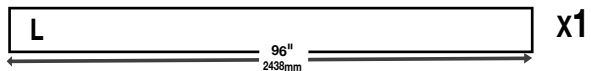
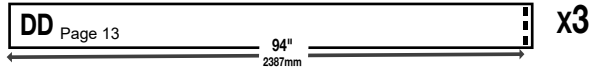
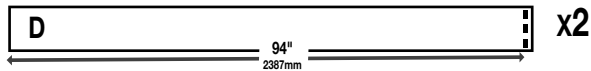


2x4 x 16ft. 38x89x4877mm

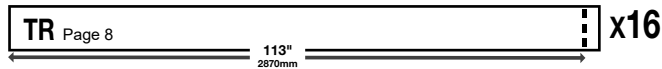
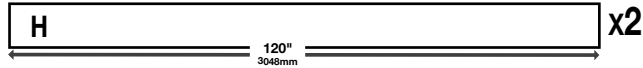
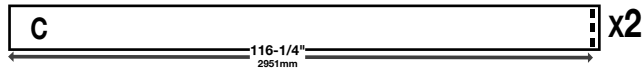
Pressure treated



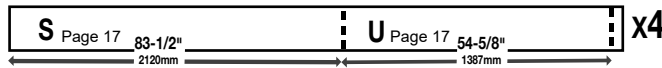
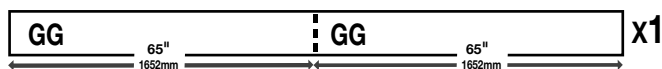
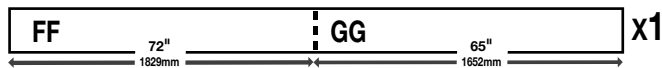
2x4 x 8ft. 38x89x2438mm



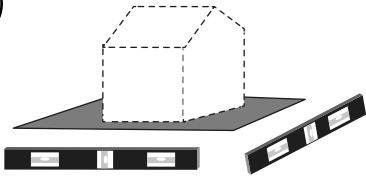
2x4 x 10ft. 38x89x3048mm



2x4 x 12ft. 38x89x3657mm



1



GROUNDS SHOULD BE LEVEL PRIOR TO ASSEMBLY.

2

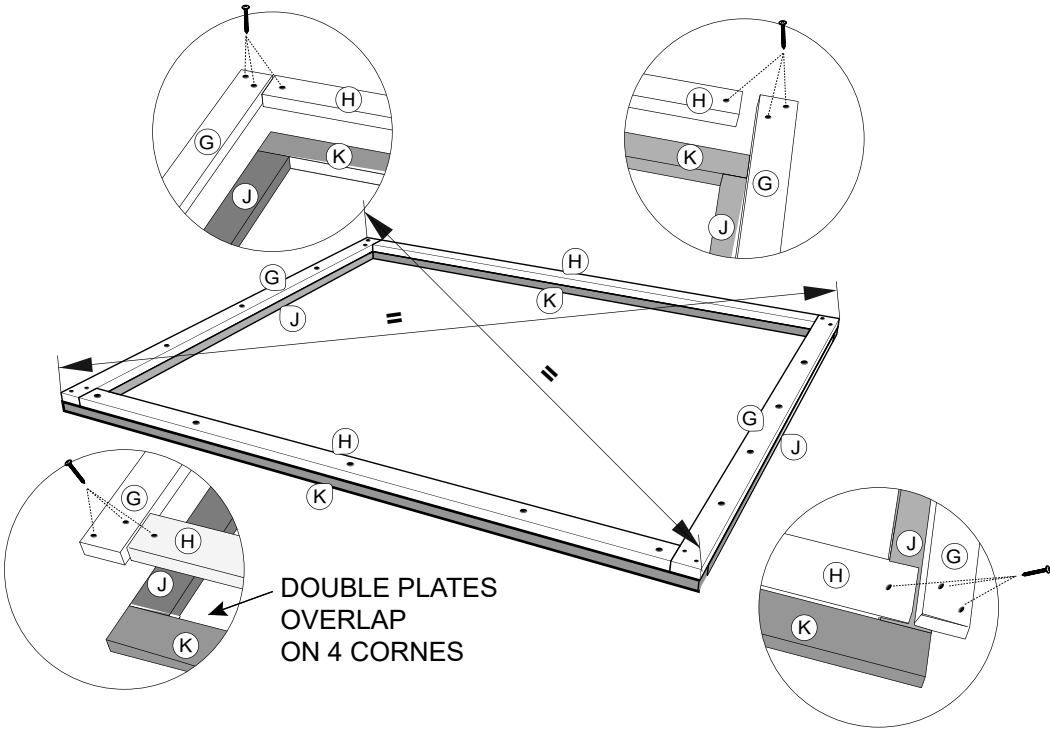
7 ft. x 8 ft.
2134 x 2438 mm

8 ft. x 14 ft.
2438 x 4267 mm

Pressure-Treated 2x4's

1. Cut and stack all lumber in separate piles.
2. Use 2-1/2" Screws to build the base frame and make sure to overlap the ends to make a solid frame.
3. Put a screw every 20" except where we show to put 2 screws in the corners
4. Ensure the base frame is square by making diagonal measurements equal.

2 1/2in. 64mm



7 ft. x 8 ft.
2134 x 2438 mm

30

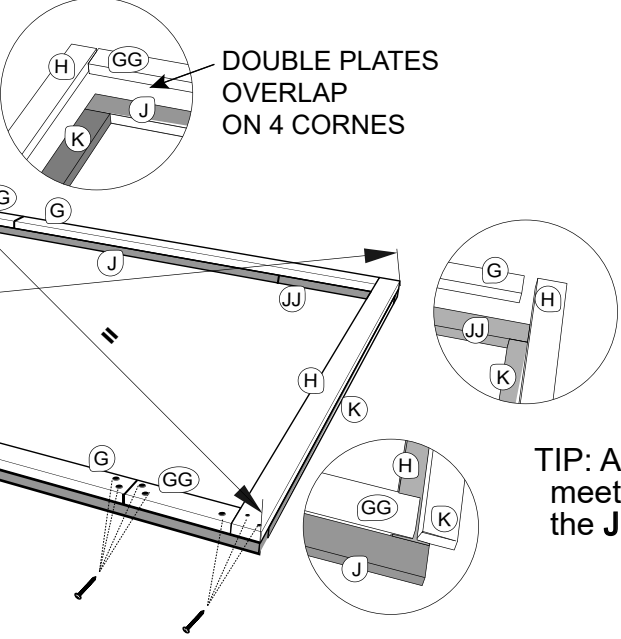
8 ft. x 14 ft.
2438 x 4267 mm

40

10 ft. x 22 ft.
3048 x 6706 mm

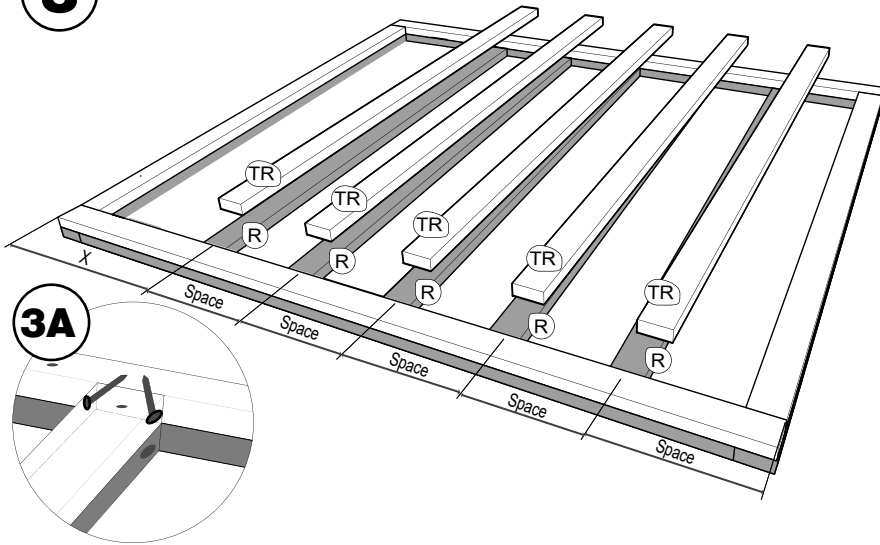
54

10 ft. x 22 ft.
3048 x 6706 mm



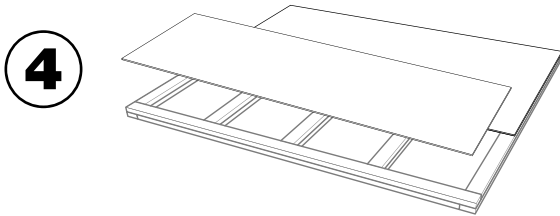
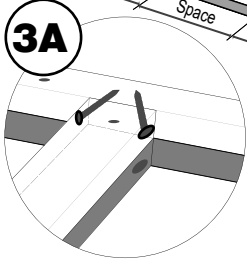
TIP: Add extra screws where the GG meet the G and where the JJ meet the J

3 Drawing showing 7' X 8'



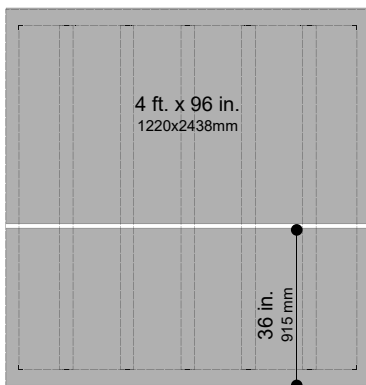
	7 ft. x 8 ft. 2134mm x 2438mm	8 ft. x 14 ft. 2438mm x 4267mm	10 ft. x 22 ft. 3048mm x 6705mm
R=	5	10	16
TR=	5	10	16
Space=	16 in. 406mm	16 in. 406mm	16 in. 406mm

1. Toe nail (using 2-1/2" screws) **R** and **TR** to the base frame every 16" on center . Lookup 3A
2. Screw **TR** to **R** together with 2-1/2" screws every 20"



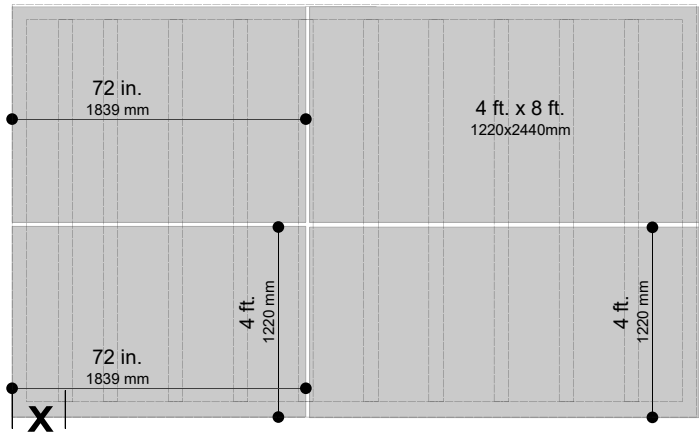
1. Use 2-1/2" screws to secure the plywood to the base frame.

7 ft. x 8 ft.
2134 x 2438 mm



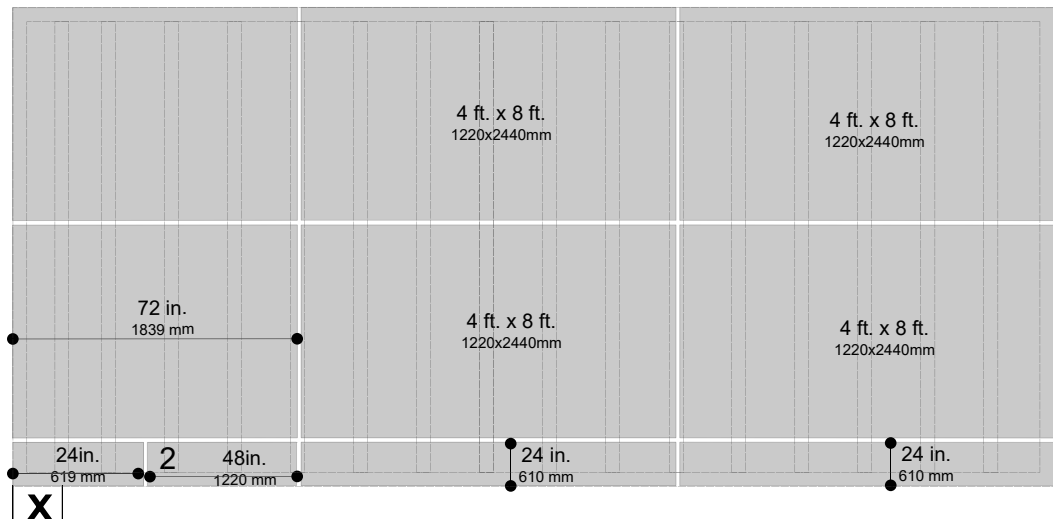
8 ft. x 14 ft.
2438 x 4267 mm

Start with a full sheet of plywood at the opposite side of the X .



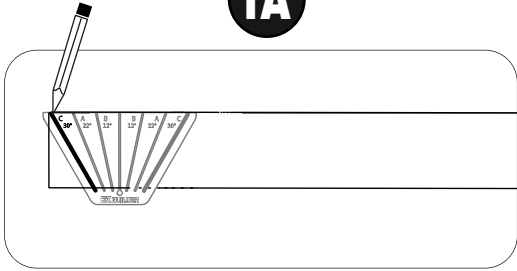
10 ft. x 22 ft.
3048 x 6706 mm

Start with a full sheet of plywood at the opposite side of the X .



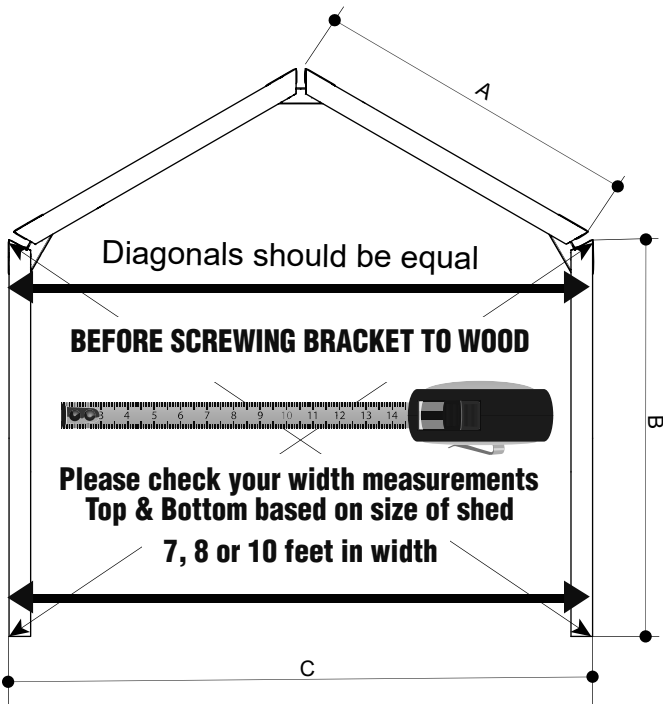
5

1A



1. Cut part "A" on **Both ends** with 30 degree angle.
2. Cut part "B" **ONE end** with the 30 degree angle. Use EZBuilder **Angle Jig "C"** to mark all angles that need to be cut.

see figure 1A

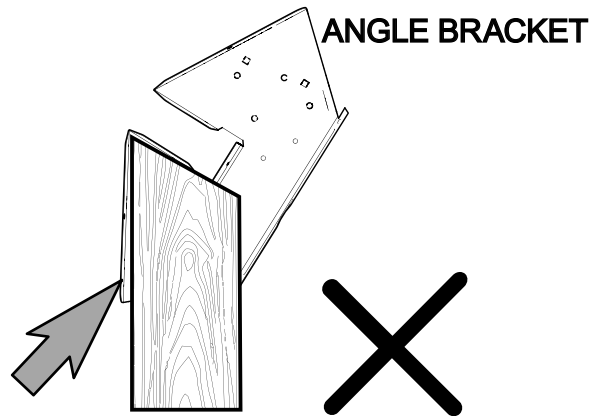
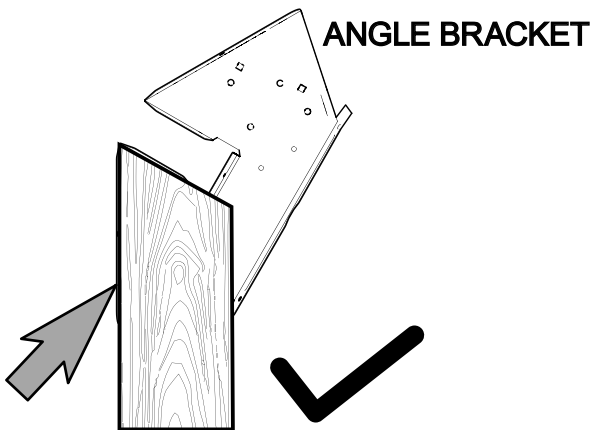


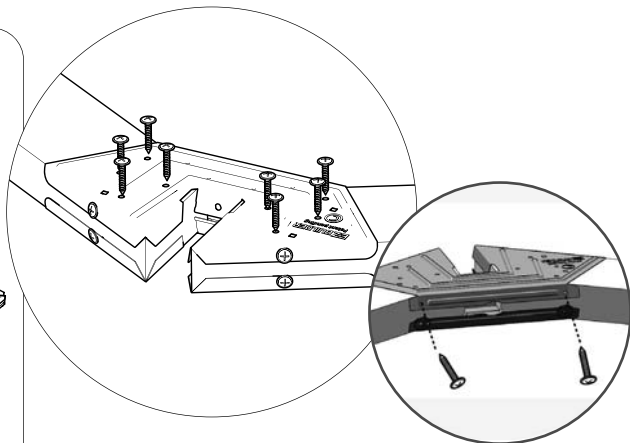
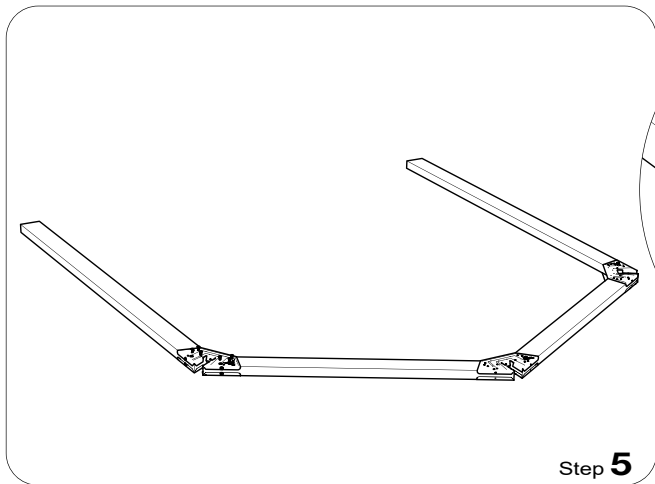
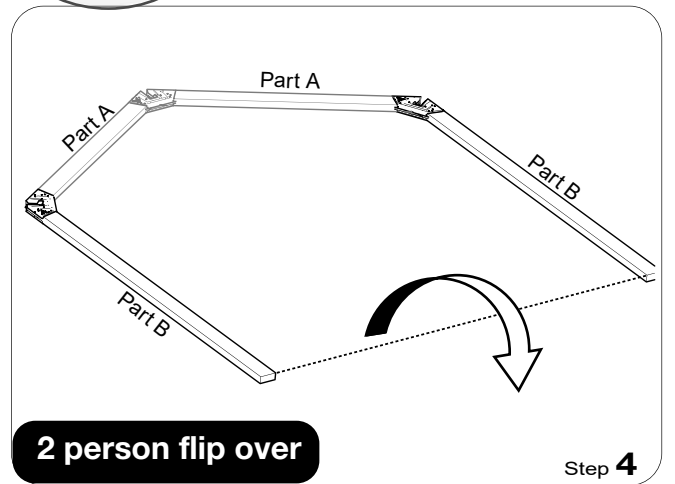
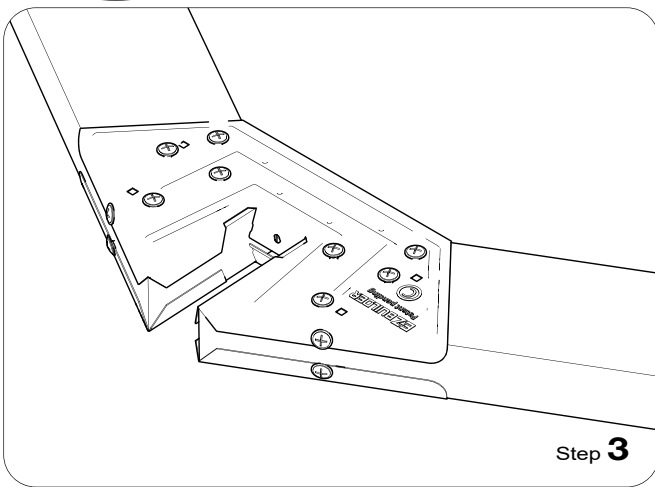
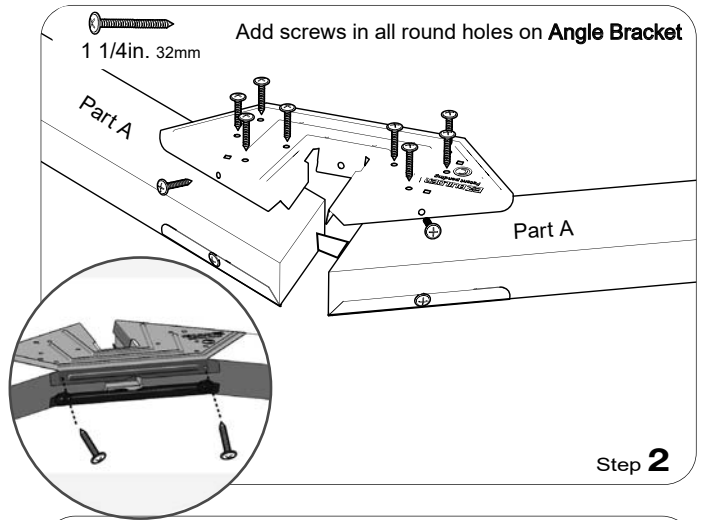
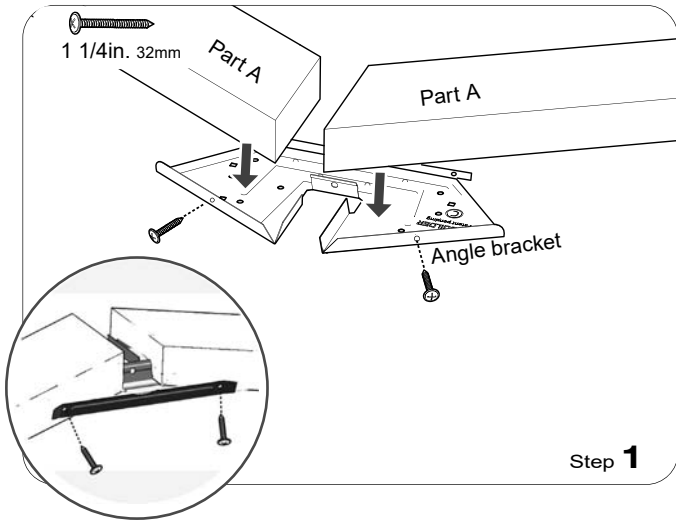
	7 ft. x 8 ft. 2134mm x 2438mm	8 ft. x 14 ft. 2438mm x 4267mm	10 ft. x 22 ft. 3048mm x 6705mm
A	8 pcs 46-3/4 in. 1187mm	16 pcs 53-1/2 in. 1359 mm	24 pcs 67-1/2 in. 1715 mm
B	8 pcs 69-3/4 in. 1773mm	16 pcs 92-1/4 in. 2343mm	24 pcs 90-1/4 in. 2292mm
C	84 in. 2136 mm	96 in. 2438 mm	120 in. 3048 mm

3. Begin arch assembly by sliding 2 Part A into the top of the EZ Builder **ANGLE BRACKET** . Check page10 step 1 and 2.

Attach the other 2 EZ Builder **ANGLE BRACKETS** to the bottom of part

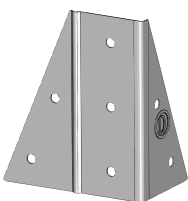
A and secure with 1-1/4" screws. In order to make sure each arch is built the same.





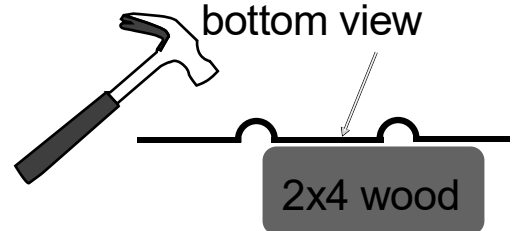
6

Bend 2 Stud Brackets on the left and 2 on the right

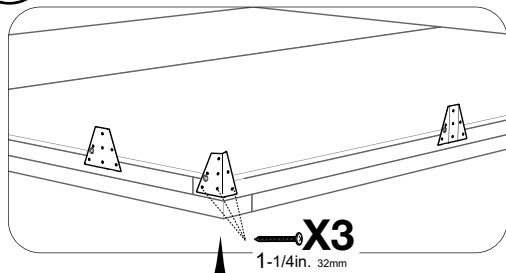


FOR CORNER STUDS

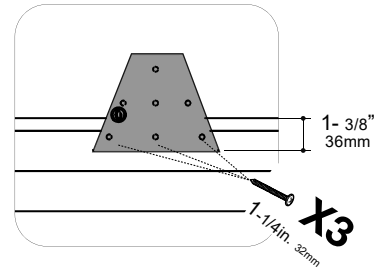
use hammer bend
Stud Bracket
bottom view



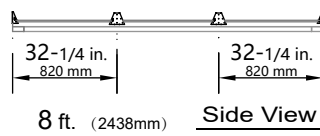
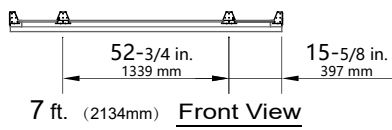
7



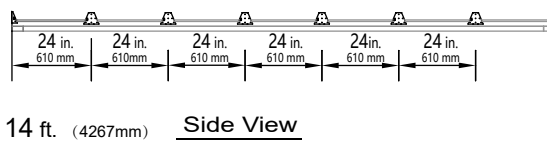
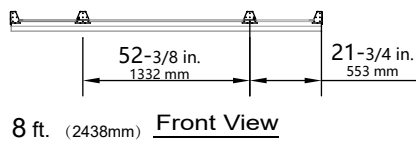
Use the bent stud brackets for the 4 corners



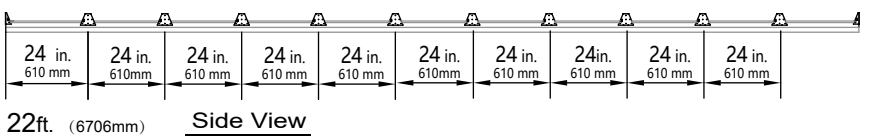
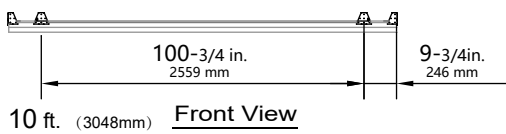
7 ft. x 8 ft.
2134 x 2438 mm



8 ft. x 14 ft.
2438 x 4267 mm



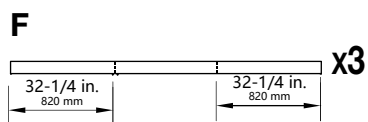
10 ft. x 22 ft.
3048 x 6706 mm



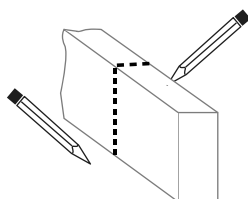
8

Draw a center line for Part F

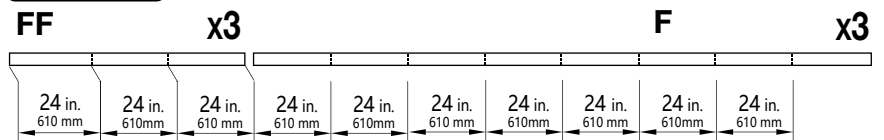
7 ft. x 8 ft.
2134 x 2438 mm



8 ft. x 14 ft.
2438 x 4267 mm



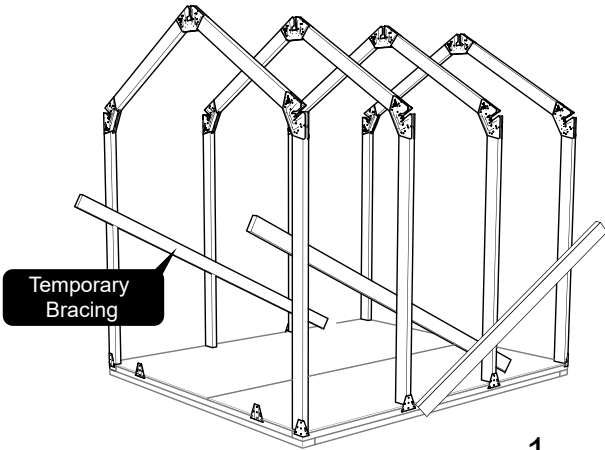
10 ft. x 22 ft.
3048 x 6706 mm



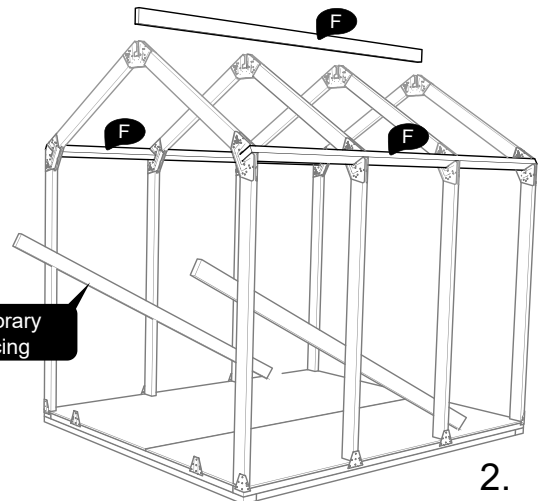
9

7 ft. x 8 ft.
2134 x 2438 mm

8 ft. x 14 ft.
2438 x 4267 mm

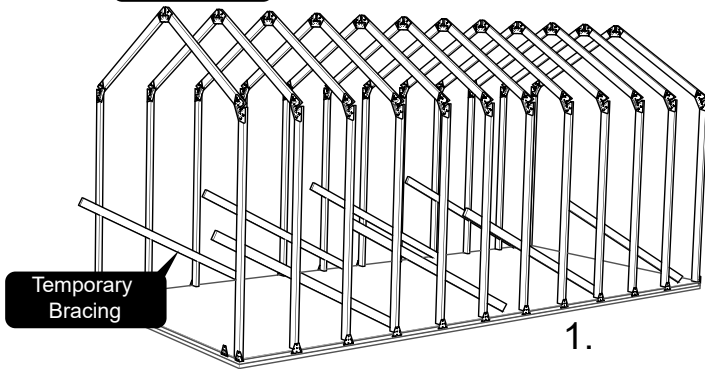


1.

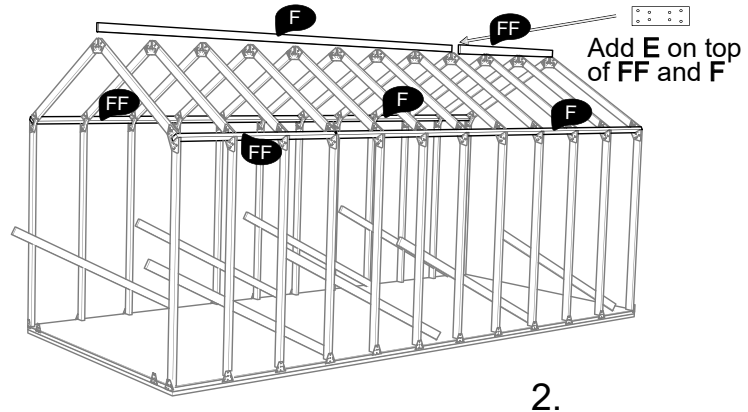


2.

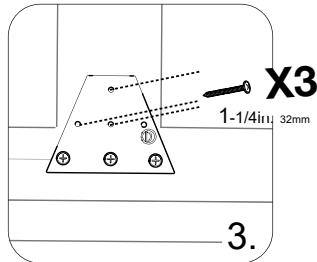
10 ft. x 22 ft.
3048 x 6706 mm



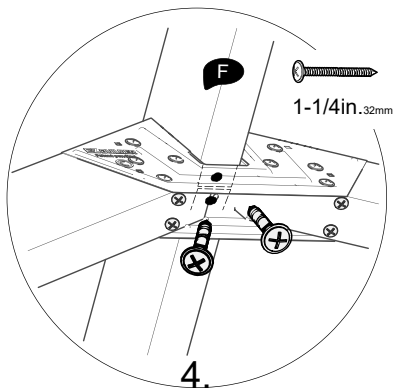
1.



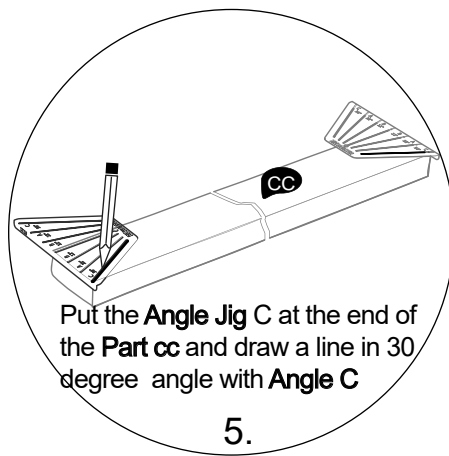
2.



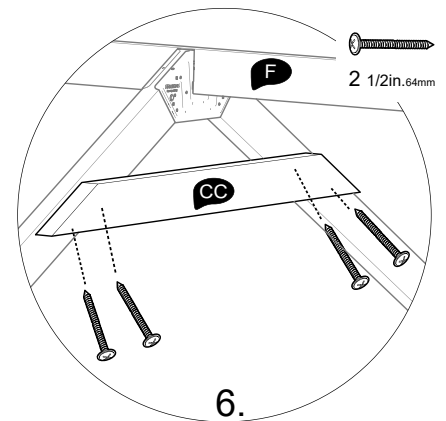
3.



4.



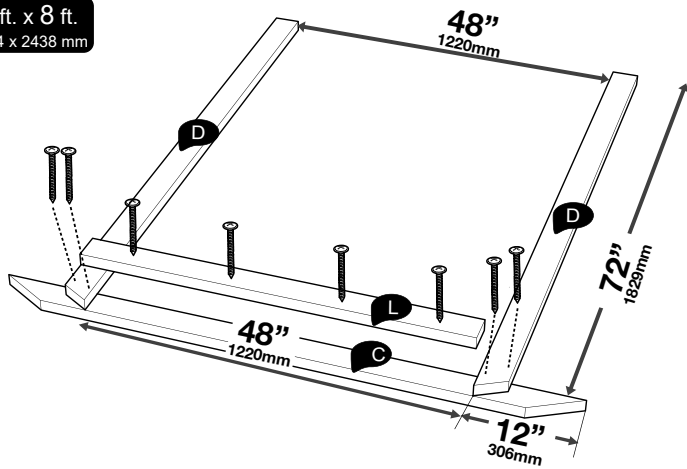
5.



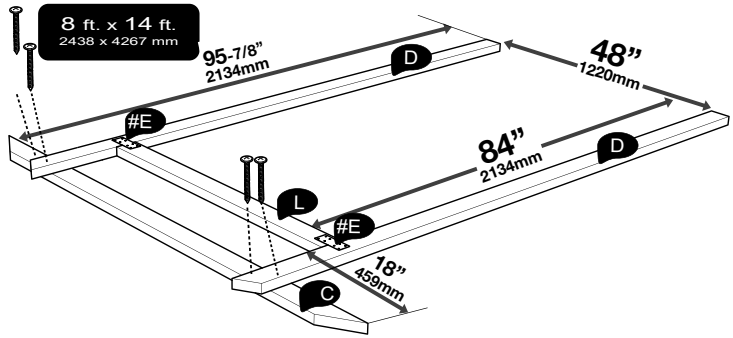
6.

10 Door Jambs

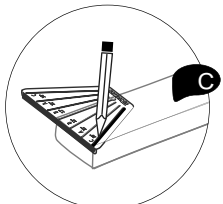
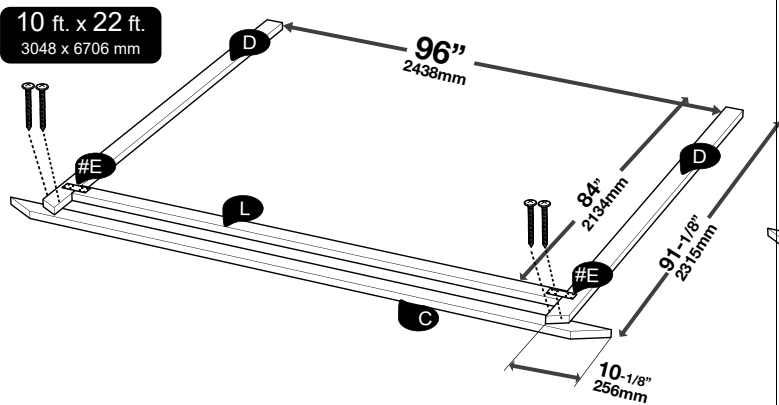
7 ft. x 8 ft.
2134 x 2438 mm



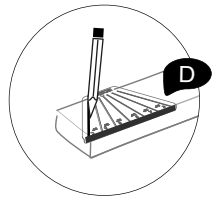
8 ft. x 14 ft.
2438 x 4267 mm



10 ft. x 22 ft.
3048 x 6706 mm



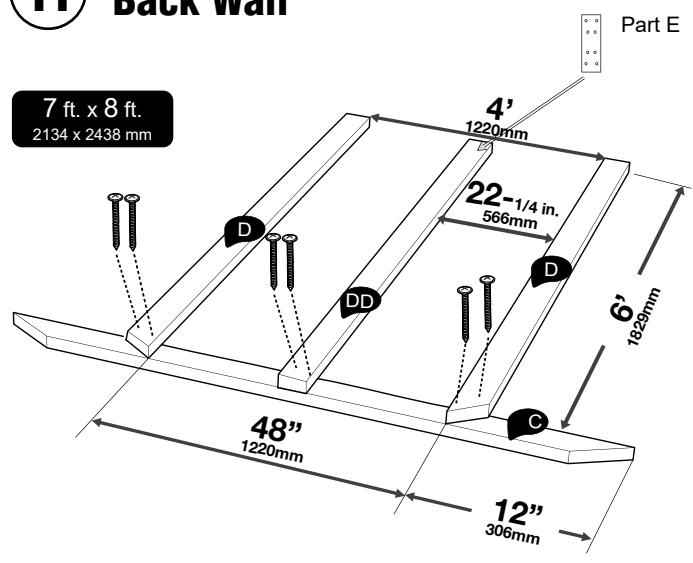
Put the Angle Jig at the end of Part CC and draw a line in 30 degree with the C angle



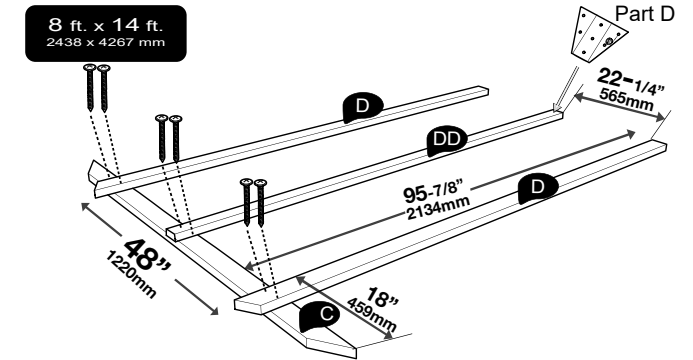
Put the Angle Jig at the side of Part D and draw a line in 30 degree with the C angle

11 Back Wall

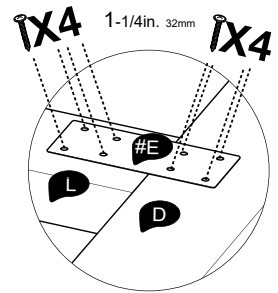
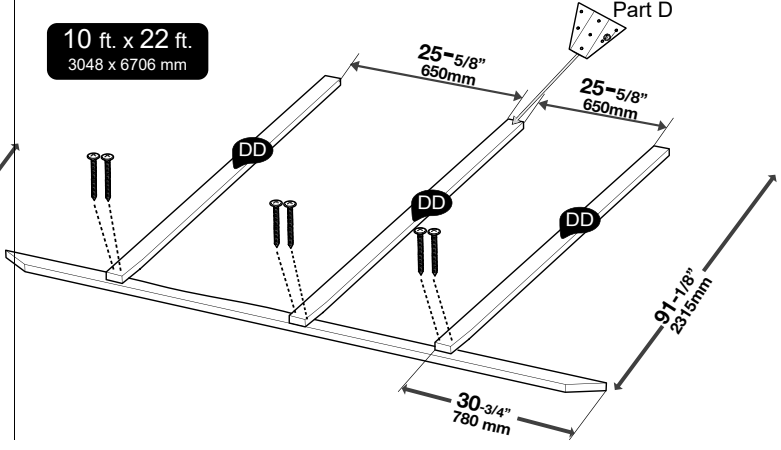
7 ft. x 8 ft.
2134 x 2438 mm



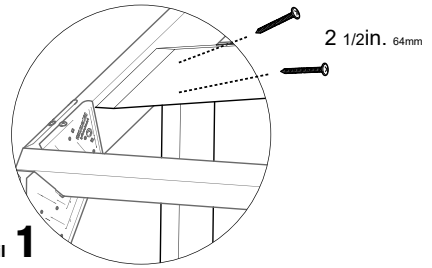
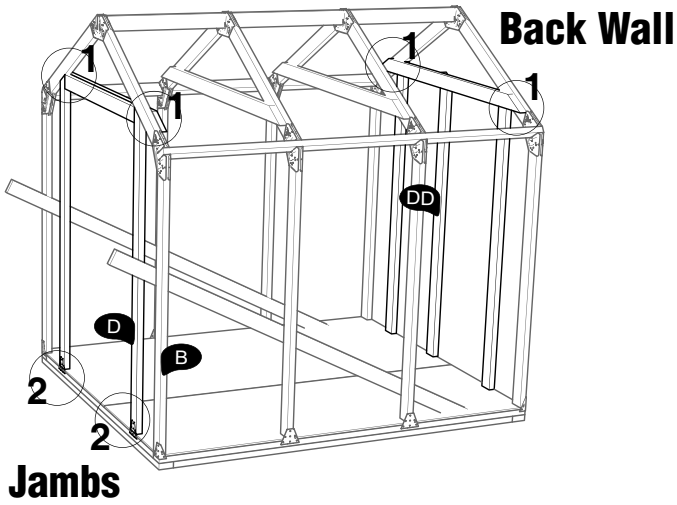
8 ft. x 14 ft.
2438 x 4267 mm



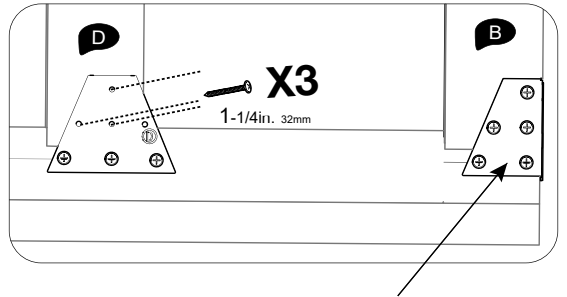
10 ft. x 22 ft.
3048 x 6706 mm



12



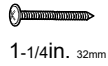
Detail 1



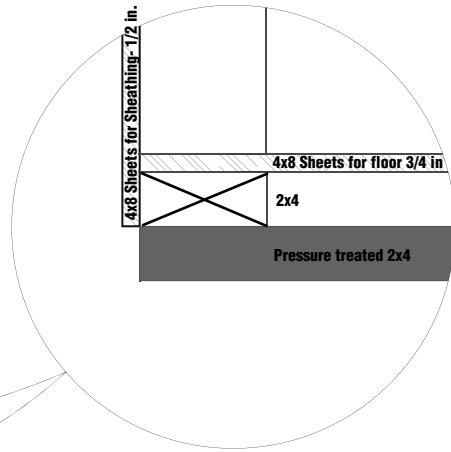
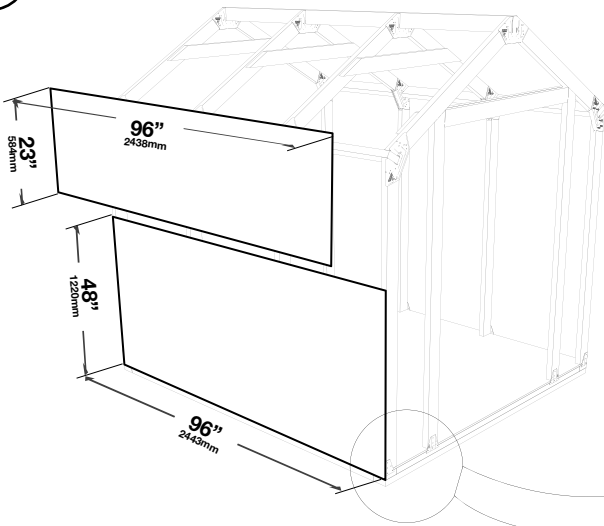
Detail 2

13

7 ft. x 8 ft.
2134 x 2438 mm

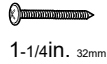


Add a screw every 20" on every stud.



8 ft. x 14 ft.
2438 x 4267 mm

10 ft. x 22 ft.
3048 x 6706 mm

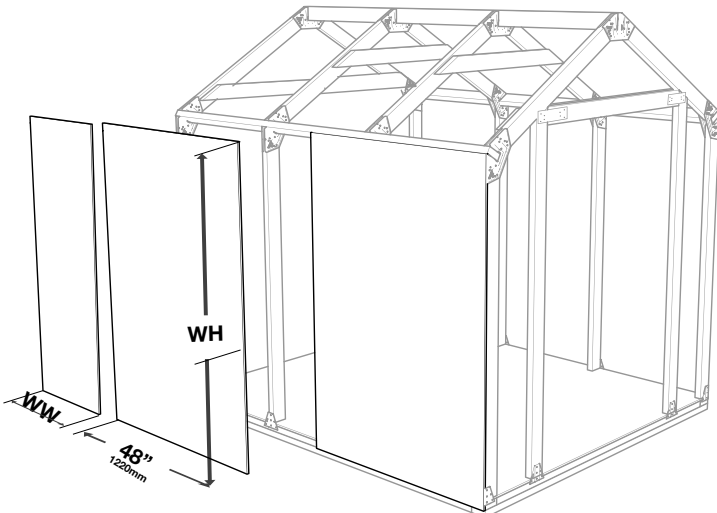


Add a screw every 20" on every stud.

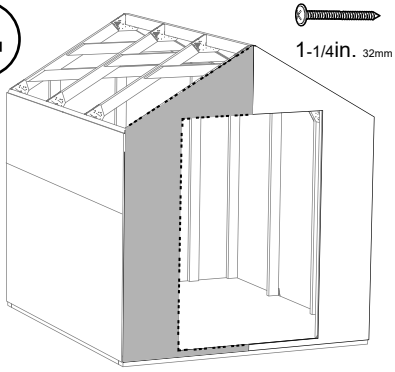
8 ft. x 14 ft.
2438mm x 4267mm

10 ft. x 22 ft.
3048mm x 6705mm

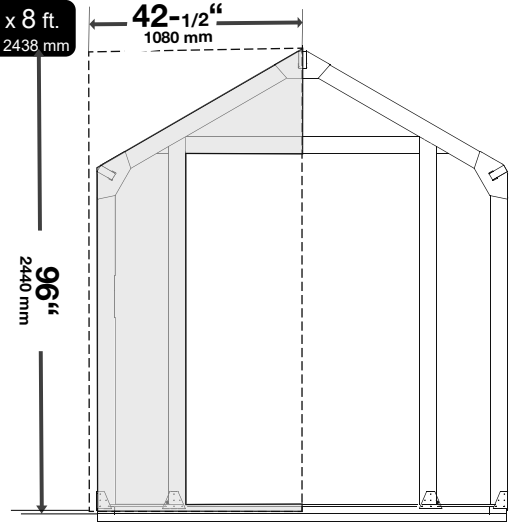
	8 ft. x 14 ft. 2438mm x 4267mm	10 ft. x 22 ft. 3048mm x 6705mm
WH width 48"	6 pcs 96 in. 2438 mm	10 pcs 93 in. 2361 mm
WW	2 pcs 24 in. 610 mm	2 pcs 24 in. 610 mm



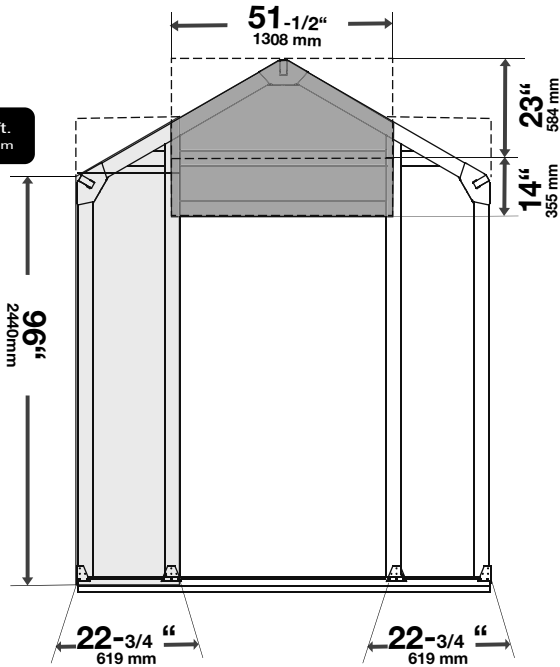
14



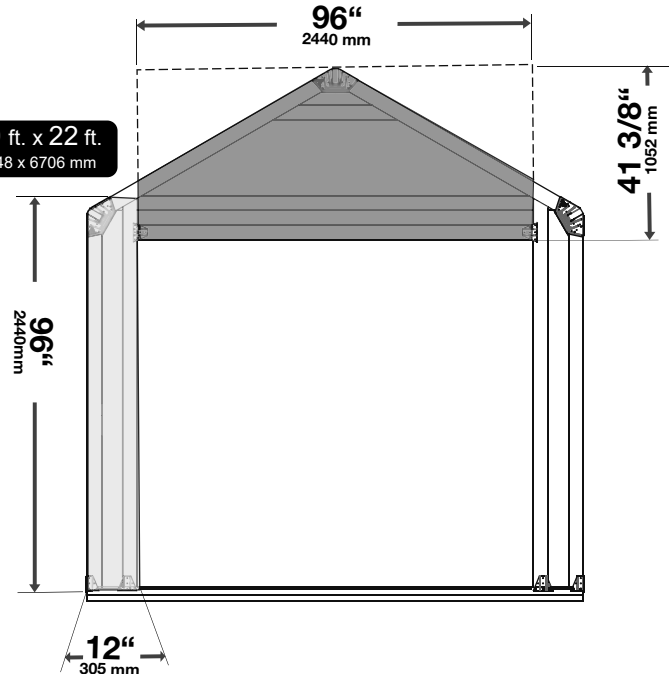
7 ft. x 8 ft.
2134 x 2438 mm



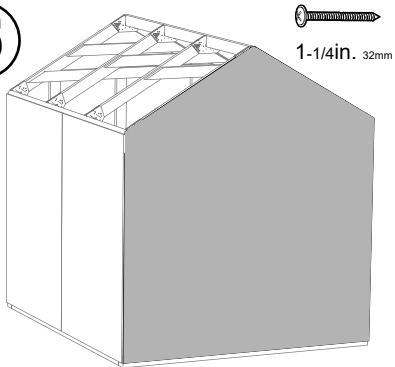
8 ft. x 14 ft.
2438 x 4267 mm



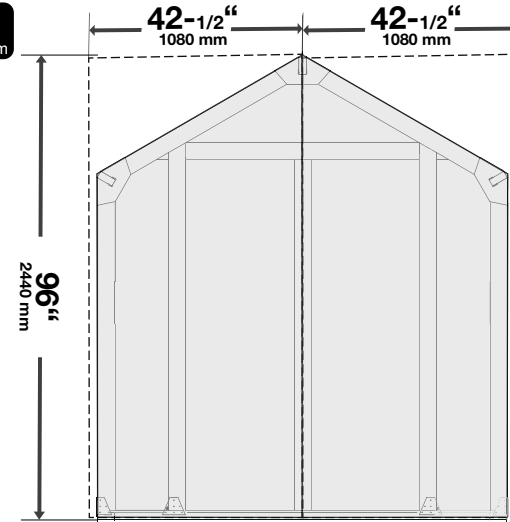
10 ft. x 22 ft.
3048 x 6706 mm



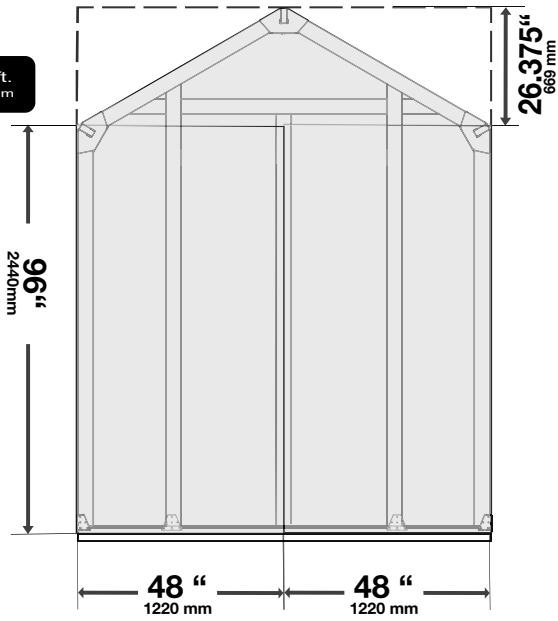
15



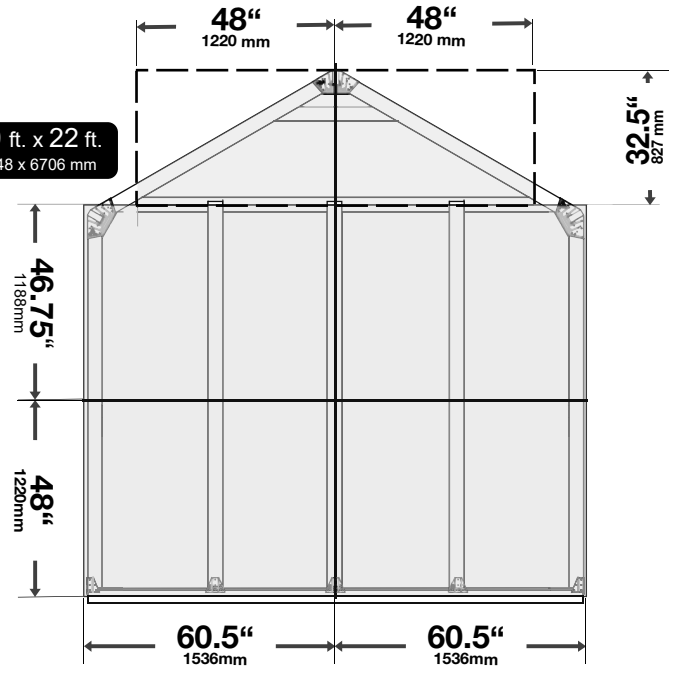
7 ft. x 8 ft.
2134 x 2438 mm



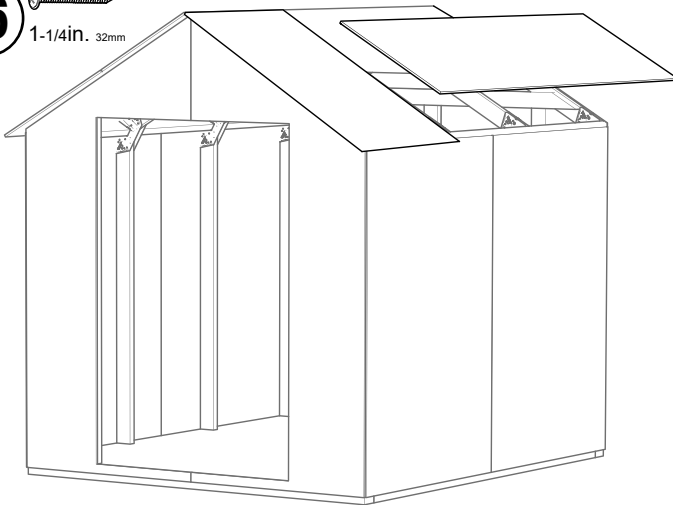
8 ft. x 14 ft.
2438 x 4267 mm



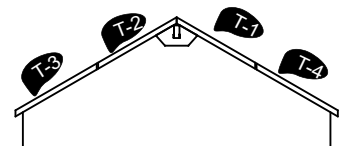
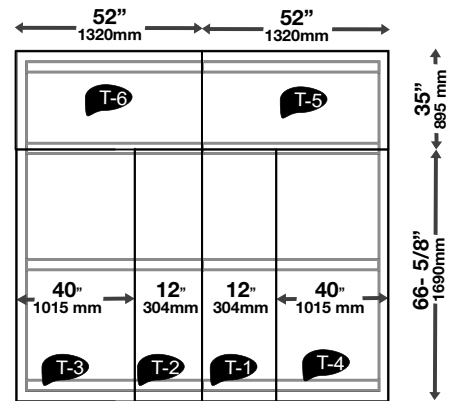
10 ft. x 22 ft.
3048 x 6706 mm



16 1-1/4 in. 32mm



7 ft. x 8 ft.
2134 x 2438 mm

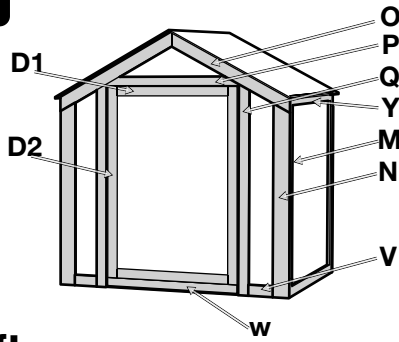


18

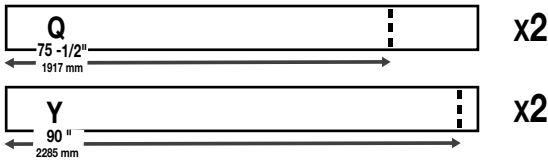
Finished Trims And Corner Boards

7 ft. x 8 ft.
2134 x 2438 mm

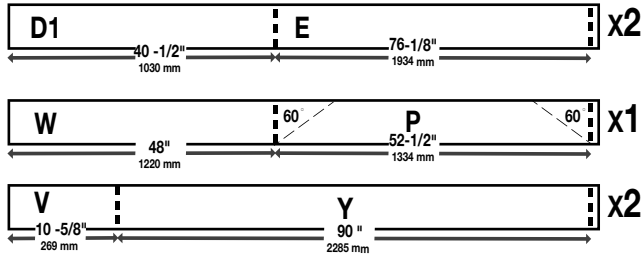
Front View



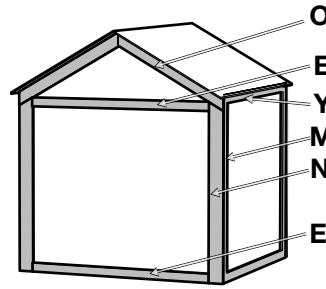
1x4 x 8ft. 38x89x2438mm



1x4 x 10ft. 38x89x3048mm



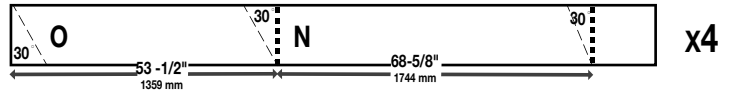
Back View



1x4 x 12ft. 38x89x3657mm

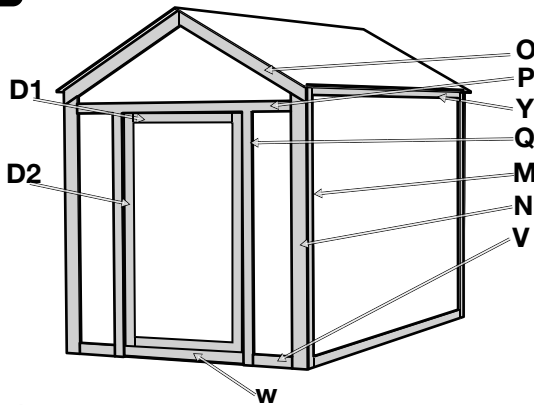


1x6 x 12ft. 38x140x3658mm

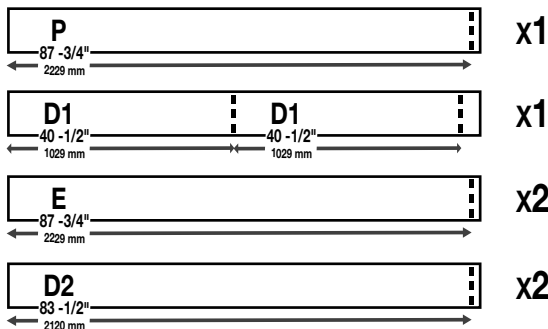


8 ft. x 14 ft.
2438 x 4267 mm

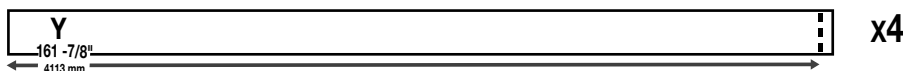
Front View



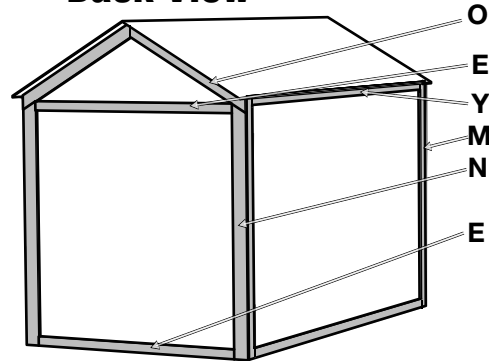
1x4 x 8ft. 38x89x2438mm



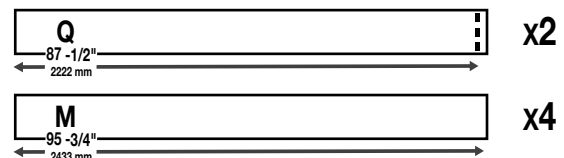
1x4 x 14ft. 38x89x4267mm



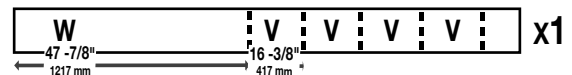
Back View



1x4 x 8ft. 38x89x2438mm

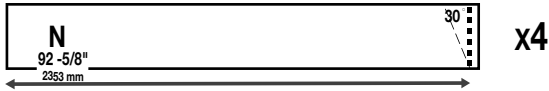


1x4 x 10ft. 38x89x3048mm

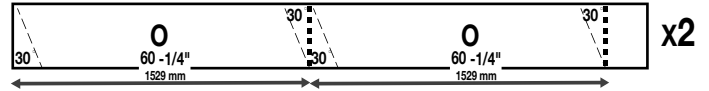


8 ft. x 14 ft.
2438 x 4267 mm

1x6 x 8ft. 38x140x2438mm

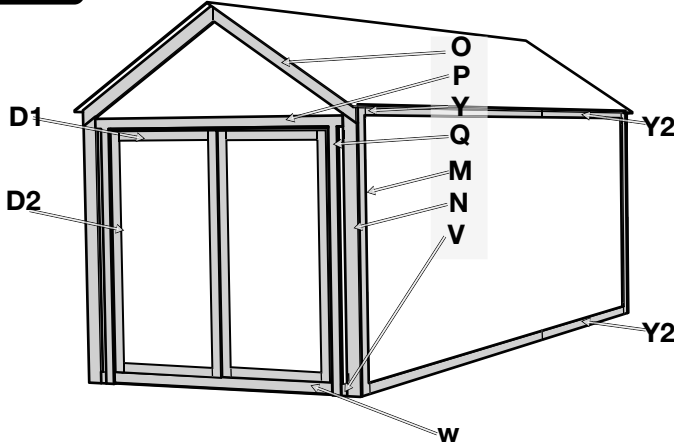


1x6 x 12ft. 38x140x3658mm

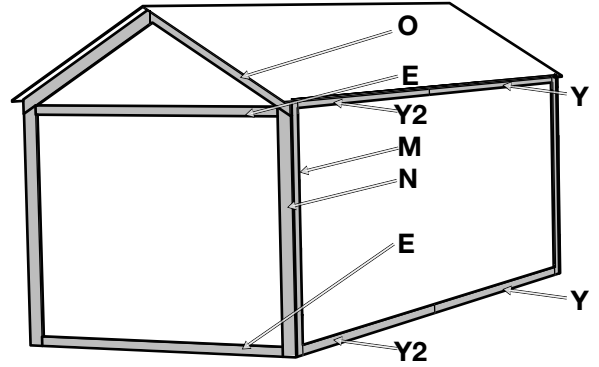


10 ft. x 22 ft.
3048 x 6706 mm

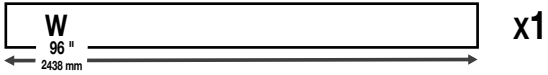
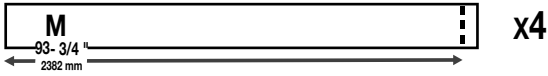
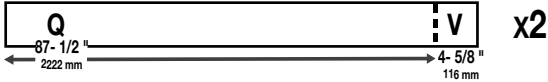
Front View



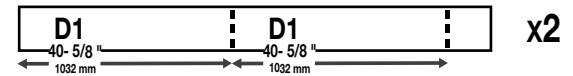
Back View



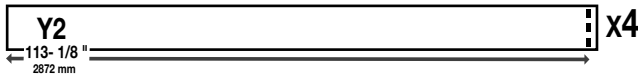
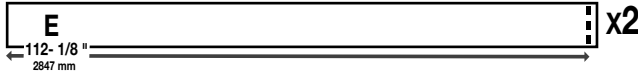
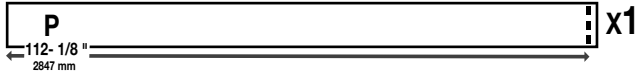
1x4 x 8ft. 38x89x2438mm



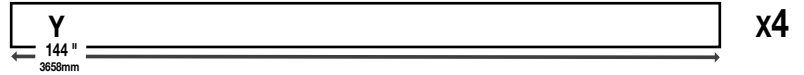
1x4 x 8ft. 38x89x2438mm



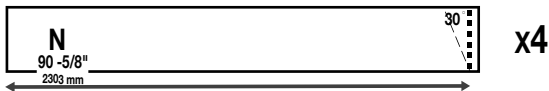
1x4 x 10ft. 38x89x3048mm



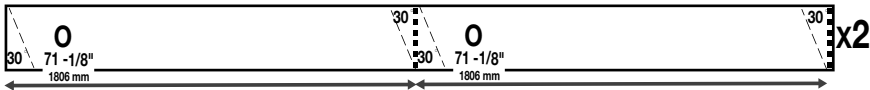
1x4 x 12ft. 38x89x3657mm



1x6 x 8ft. 38x140x2438mm



1x6 x 12ft. 38x140x3658mm



Customer Service

If you have a question or concern

**Email: service@neopmail.net
or call 203-591-9033**

Monday-Friday 8:30am-4:30pm EST

PDF manual <https://ezgomanuals.com>

DO NOT RETURN TO THE STORE!