

EZ BUILDER™

FRAMER BARN KIT #504

ASSEMBLY MANUAL

LOT#:

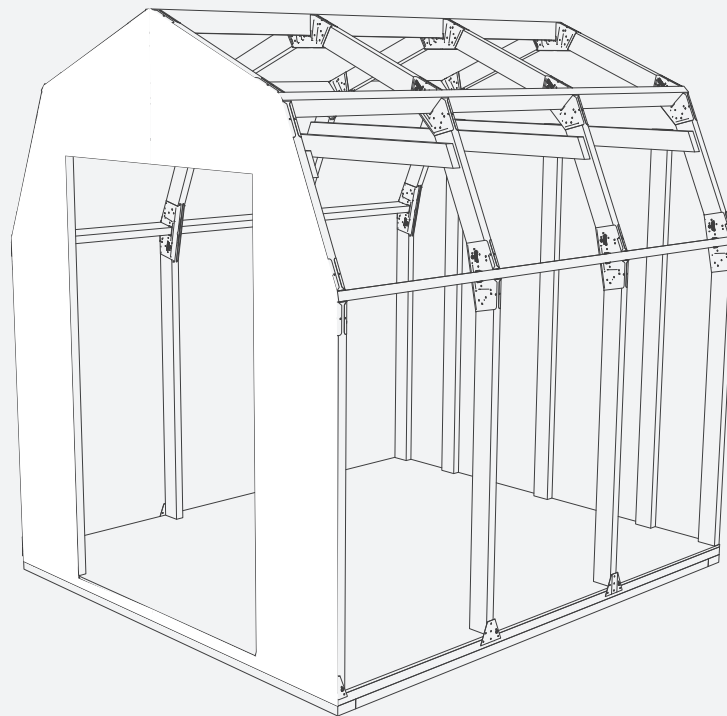


Photo represents finished shed.
Wood not included.

Customer Service

If you have a question or concern

Email: service@neopmail.net

or call 203-591-9033

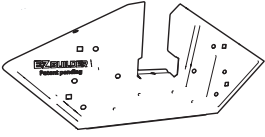
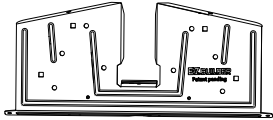
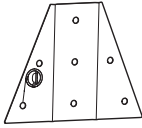

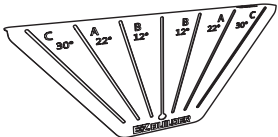
Monday-Friday 8:30am-4:30pm EST

PDF manual <https://ezgomanuals.com>

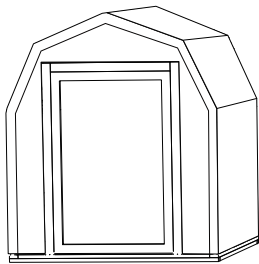
DO NOT RETURN TO THE STORE!

Please read instructions fully before beginning assembly

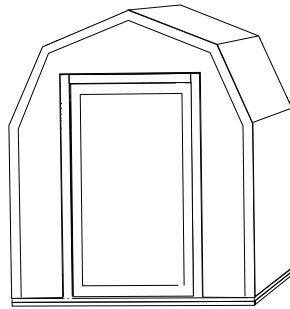
THIS KIT IS FOR 7' X 8' ONLY [#504]

NO	Illustration	Description	Part #	QTY.
1		A Bracket	A	24
2		B Bracket	B	16
3		Stud Bracket	D	12
4		Door header Bracket	E	4
5		Angles Jig	8111	1

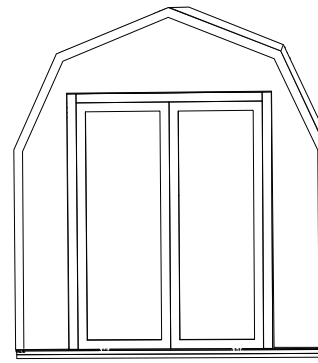
ADDITIONAL KITS ARE NEEDED



7ft. wide X 8ft. long
2133mm x 2438mm
1 kits

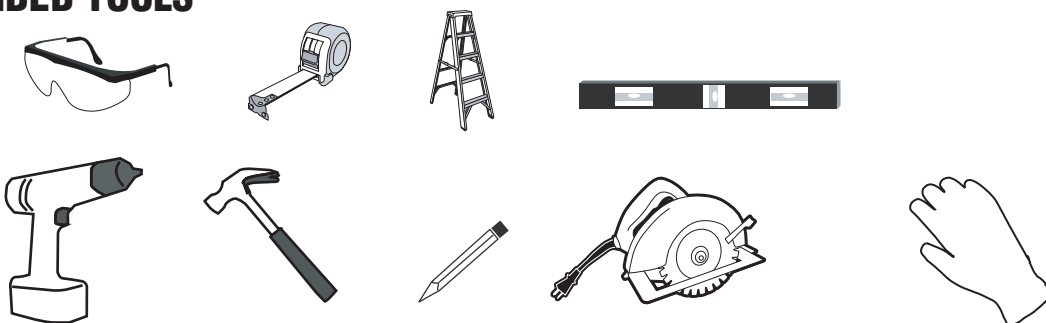


8ft. wide X 14ft. long
2438mm x 4267mm
2 kits





10ft. wide X 22ft. long
3048mm x 6705mm
3 kits

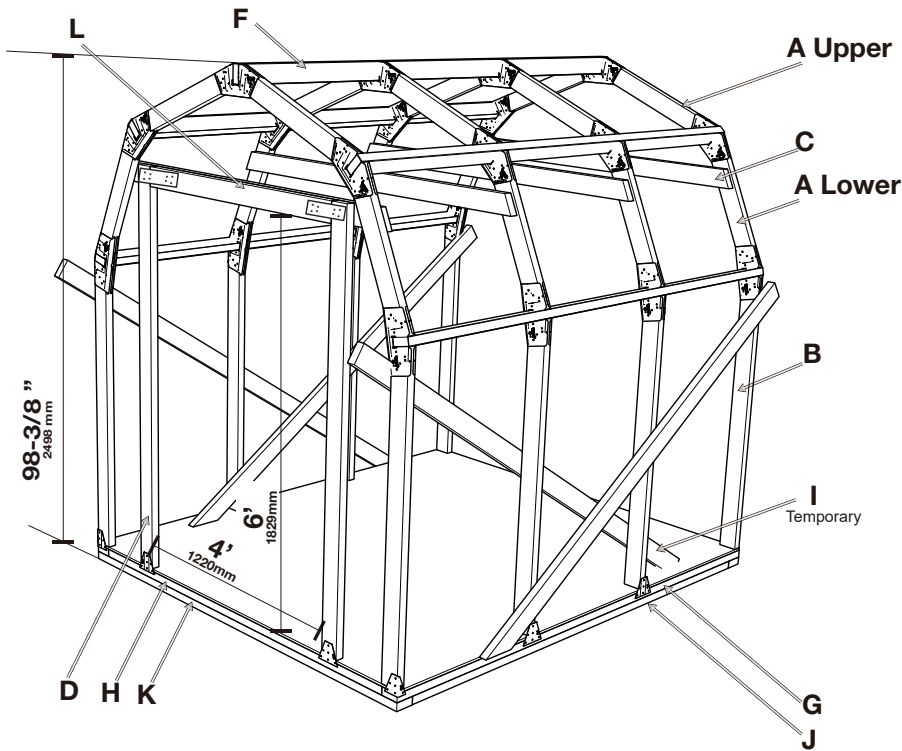
RECOMMENDED TOOLS



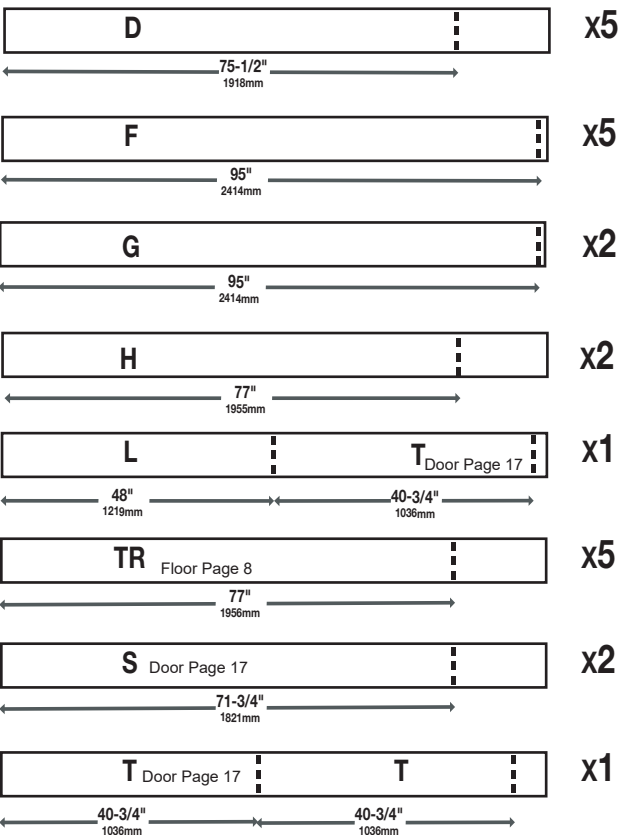
MATERIAL LIST BY BUILDING SIZE

		7 ft. wide x 8 ft. long	8 ft. wide x 14 ft. long	10 ft. wide x 22 ft. long
1	Ez Builder kit	1	2	3
2	8 ft. 2x4's	23	29	60
3	10 ft. 2x4's	9	1	37
4	12 ft. 2x4's	2	16	1
5	14 ft. 2x4's	\	7	\
6	16 ft.2x4's	\	\	7
7	8 ft. Pressure-Treated 2x4's	9	12	\
8	10 ft. Pressure-Treated 2x4's	\	\	18
9	12 ft. Pressure-Treated 2x4's	\	\	1
10	14 ft. Pressure-Treated 2x4's	\	2	\
11	16 ft. Pressure-Treated 2x4's	\	\	2
12	8 ft. 1x4's	4	6	10
13	4x8 Sheets for Roof - 1/2 in.	4	8	12
14	4x8 Sheets for Sheathing- 1/2 in.	7	13	20
15	4x8 Sheets for floor 3/4 in.	2	4	7
16	Roofing Material	90 SQ.ft.	175 SQ.ft.	335 SQ.ft.
17	 1 1/4 in. 32mm Galvanized wood screws	3 lbs./ 1.4kg	4 lbs./ 1.9kg	5 lbs./ 2.3kg
18	 2 1/2 in. 64mm Galvanized wood screws	3 lbs./ 1.4kg	4 lbs./ 1.9kg	5 lbs./ 2.3kg

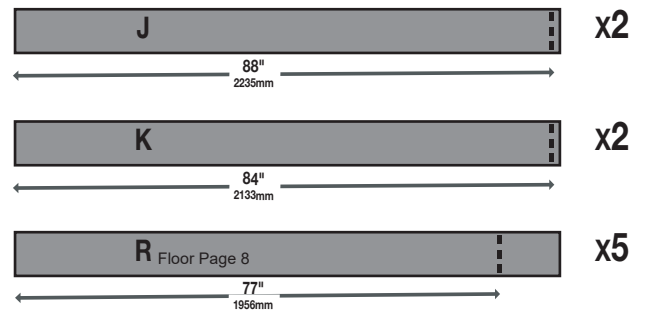
7 ft. x 8 ft.
2134 x 2438 mm



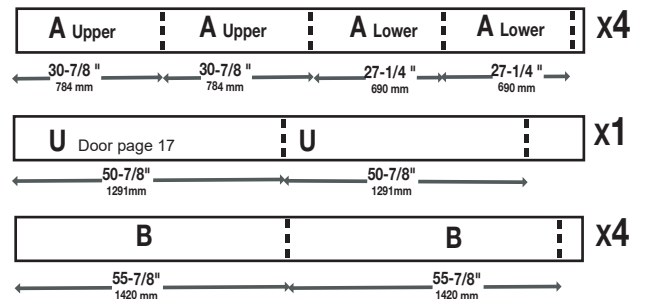
2x4 x 8ft. 38x89x2438mm



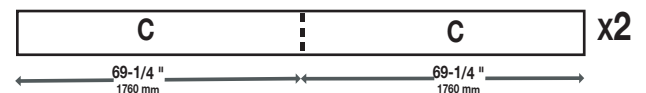
2x4 x 8ft. 38x89x2438mm
Pressure treated



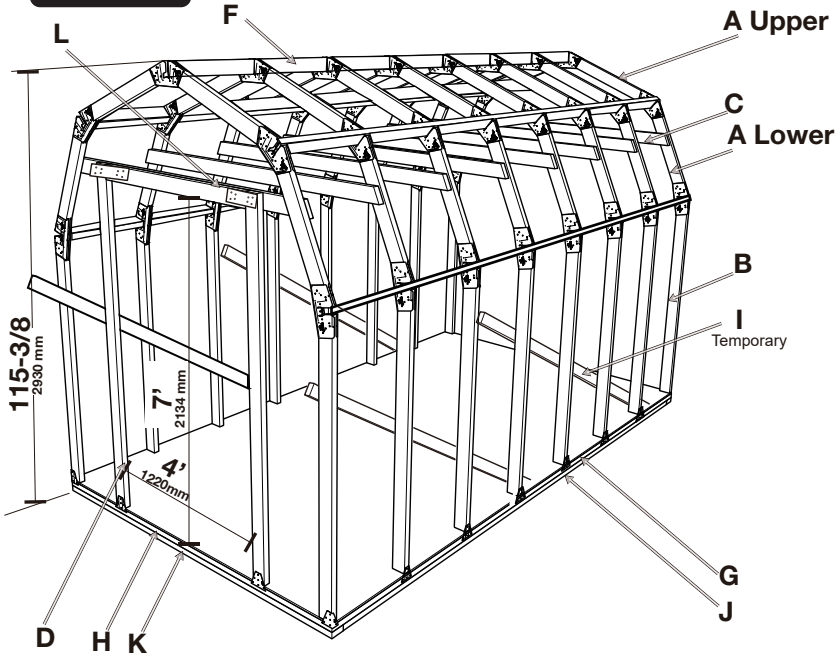
2x4 x 10 ft. 38x89x3048 mm



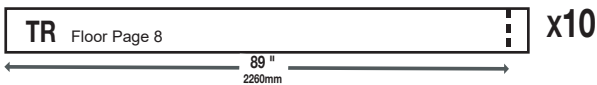
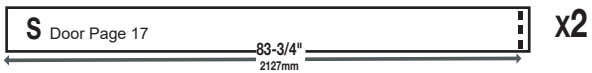
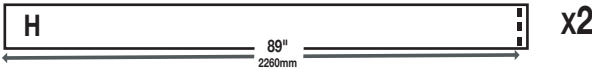
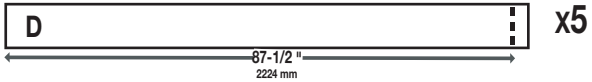
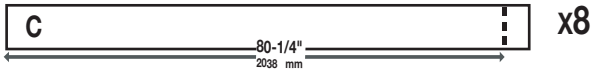
2x4 x 12ft. 38x89x3657mm



8 ft. x 14 ft.
2438 x 4267 mm



2x4 x 8ft. 38x89x2438mm



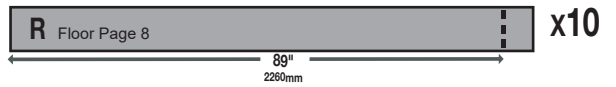
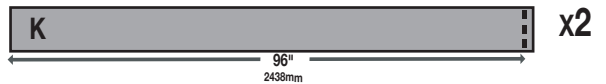
2x4 x 10ft. 38x89x3048mm



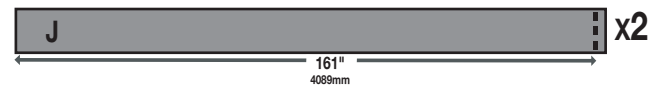
2x4 x 14ft. 38x89x4267mm



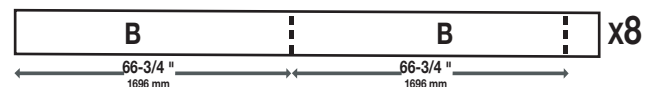
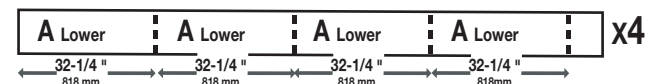
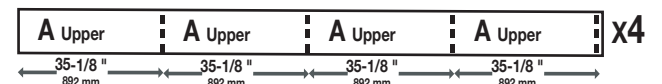
2x4 x 8ft. 38x89x2438mm
Pressure treated



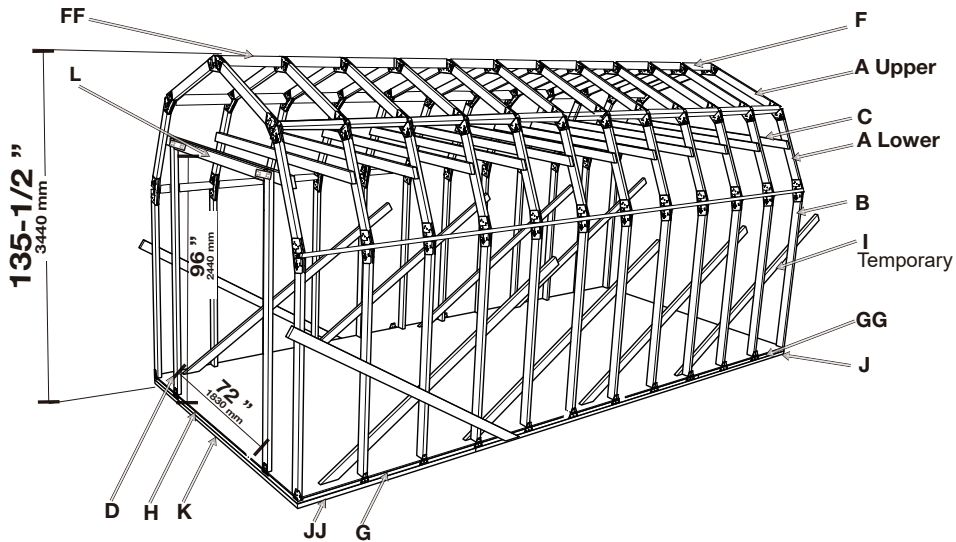
2x4 x 14ft. 38x89x4267mm
Pressure treated



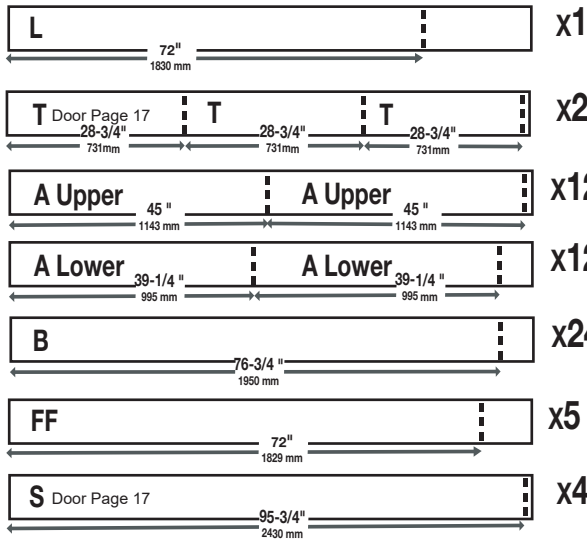
2x4 x 12ft. 38x89x3657 mm



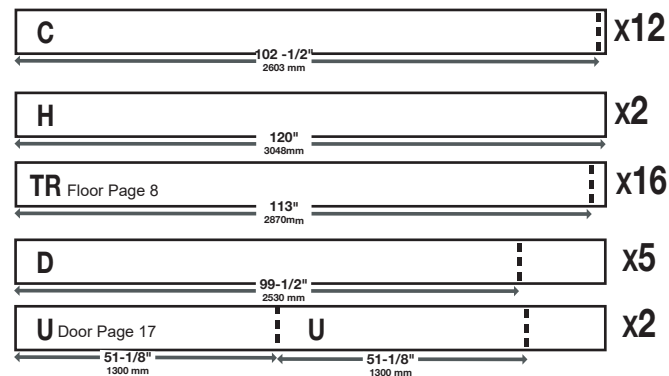
10 ft. x 22 ft.
3048 x 6706 mm



2x4 x 8ft. 38x89x2438mm



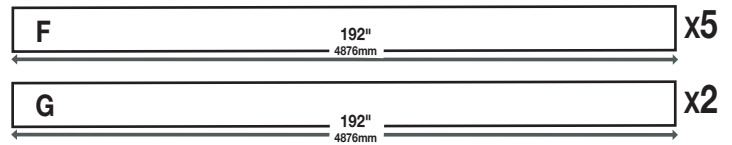
2x4 x 10ft. 38x89x3048mm



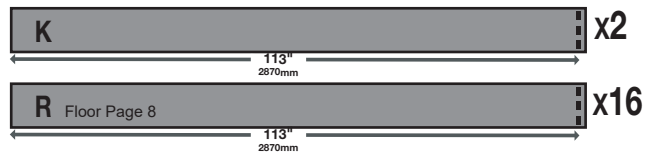
2x4 x 12ft. 38x89x3657mm



2x4 x 16ft. 38x89x4877mm



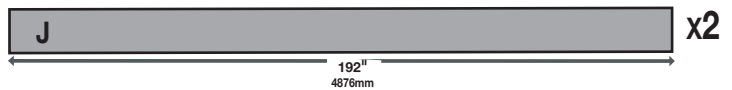
2x4 x 10ft. 38x89x3048mm
Pressure treated



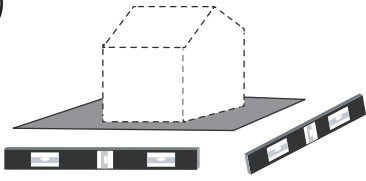
2x4 x 12ft. 38x89x3657mm
Pressure treated



2x4 x 16ft. 38x89x4877mm
Pressure treated



1

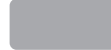


GROUNDS SHOULD BE LEVEL PRIOR TO ASSEMBLY.

2

7 ft. x 8 ft.
2134 x 2438 mm

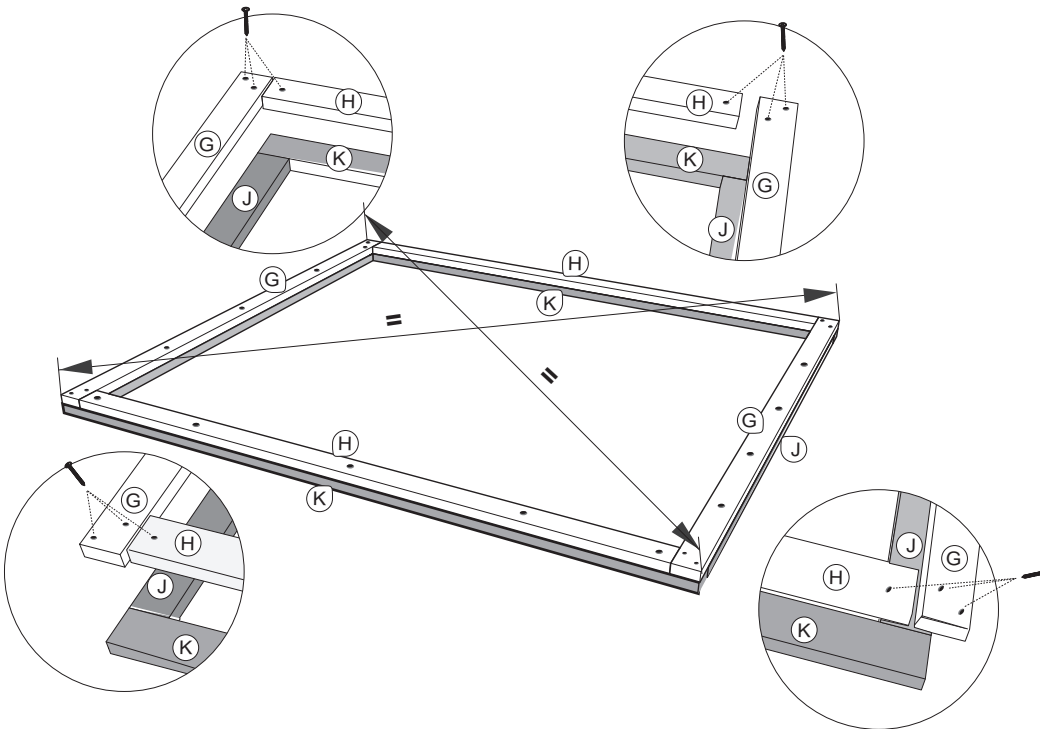
8 ft. x 14 ft.
2438 x 4267 mm



Pressure-Treated 2x4's

1. Cut and stack all lumber in separate piles.
2. Use 2-1/2" Screws to build the base frame and make sure to overlap the ends to make a solid frame.
3. Put a screw every 20" except where we show to put 2 screws in the corners
4. Ensure the base frame is square by making diagonal measurements equal.

2 1/2in. 64mm



7 ft. x 8 ft.
2134 x 2438 mm

30

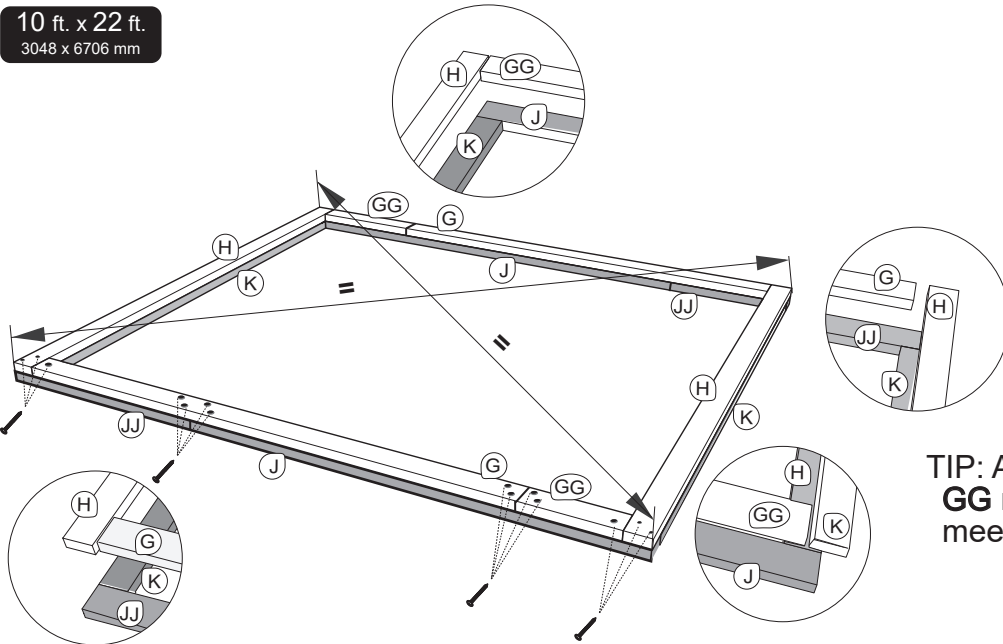
8 ft. x 14 ft.
2438 x 4267 mm

40

10 ft. x 22 ft.
3048 x 6706 mm

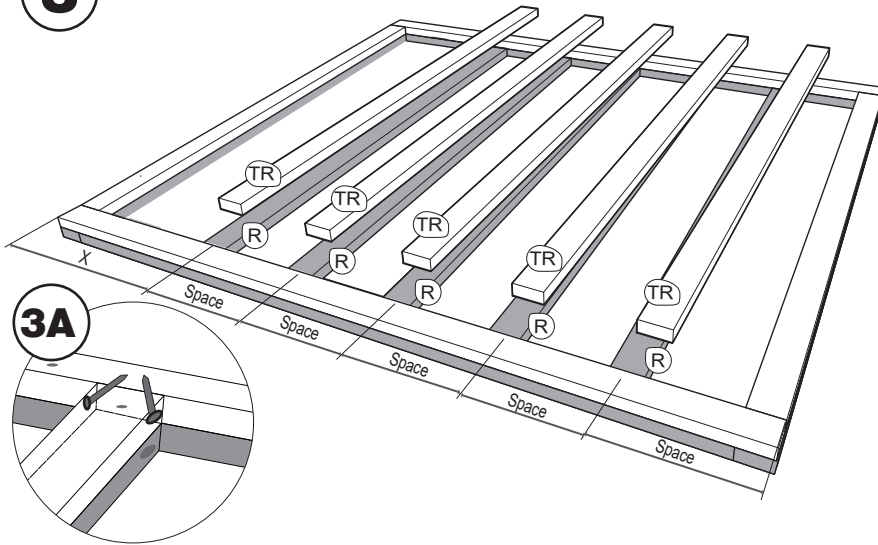
54

10 ft. x 22 ft.
3048 x 6706 mm



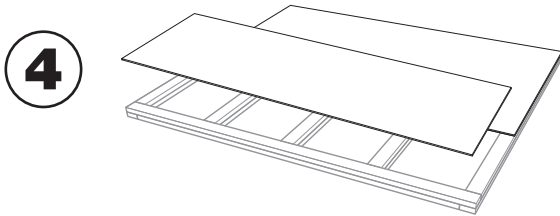
TIP: Adding some screws where the GG meet the G and where the JJ meet the J

3 Drawing showing 7' X 8'



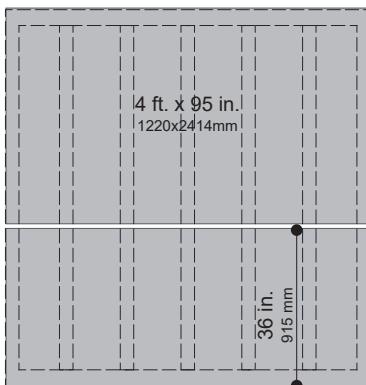
	7 ft. x 8 ft. 2134mm x 2438mm	8 ft. x 14 ft. 2438mm x 4267mm	10 ft. x 22 ft. 3048mm x 6705mm
R=	5	10	16
TR=	5	10	16
Space=	16 in. 406mm	16 in. 406mm	16 in. 406mm

1. Toe nail (using 2-1/2" screws) **R** and **TR** to the base frame every 16" on center . Lookup 3A
2. Screw **TR** to **R** together with 2-1/2" screws every 20"



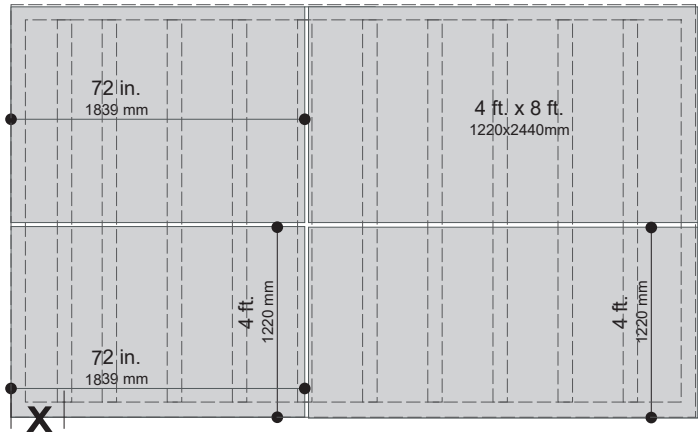
1. Use 2-1/2" screws to secure the plywood to the base frame.

7 ft. x 8 ft.
2134 x 2438 mm



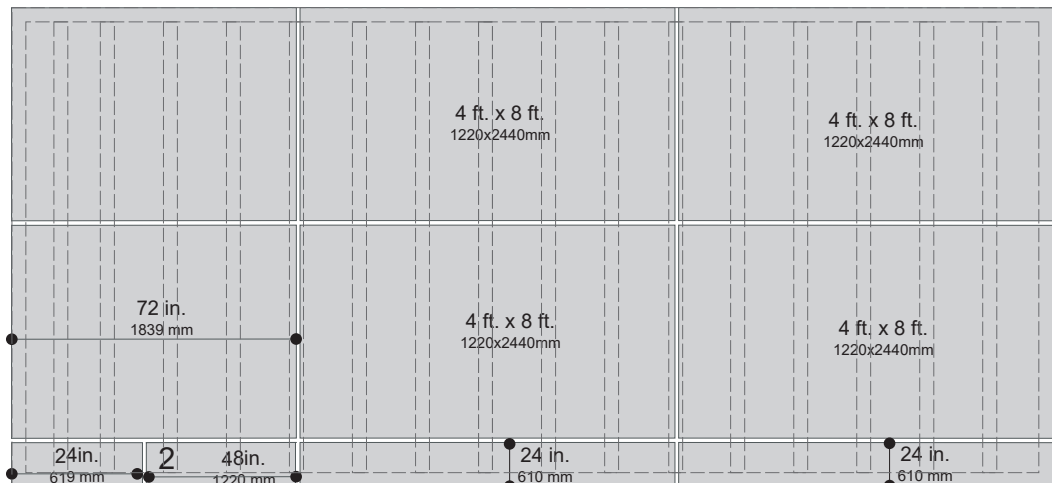
8 ft. x 14 ft.
2438 x 4267 mm

Start with a full sheet of plywood at the opposite side of the X .

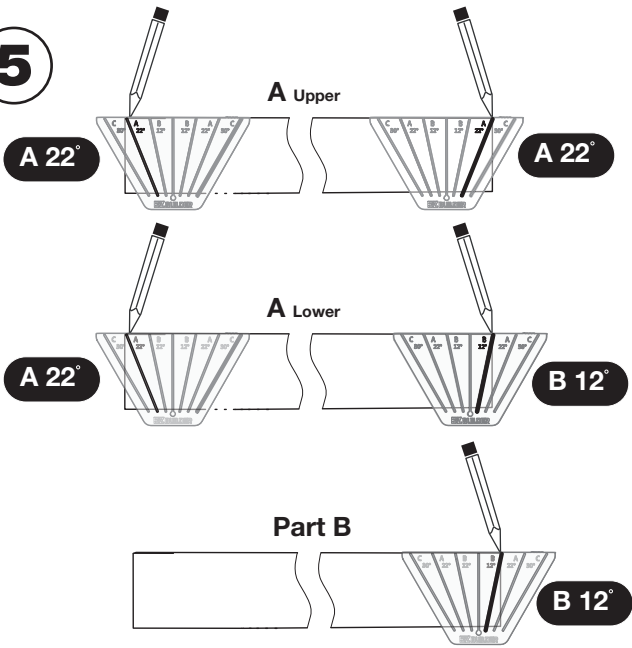


10 ft. x 22 ft.
3048 x 6706 mm

Start with a full sheet of plywood at the opposite side of the X .



5



1. Use the **Angles jig** to mark all the angles to be cut.

Cut both ends of **A Upper** with angle **A 22°**

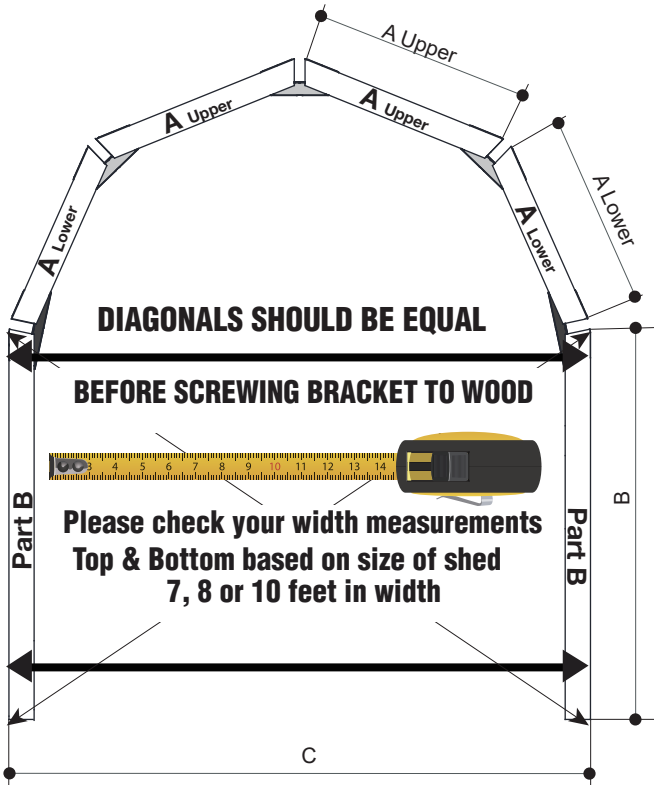
Cut both ends of **A Lower** one with angle **A 22°** and the other with **B 12°**

Cut one end of **Part B** with angle **B 12°**

TIP : Assemble one arch before cutting all the pieces to make sure the angles and length work properly

IMPORTANT:

MAKE SURE TO DOUBLE CHECK YOUR CUTS. ALWAYS MEASURE TWICE.



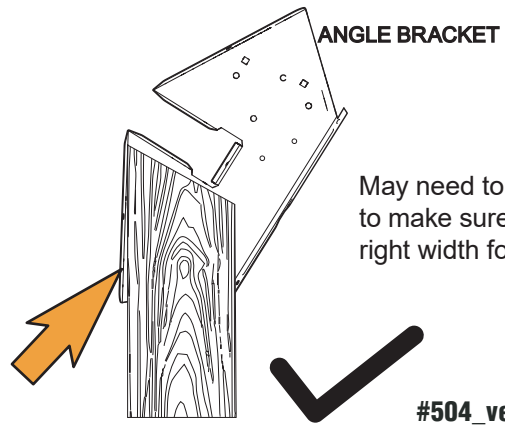
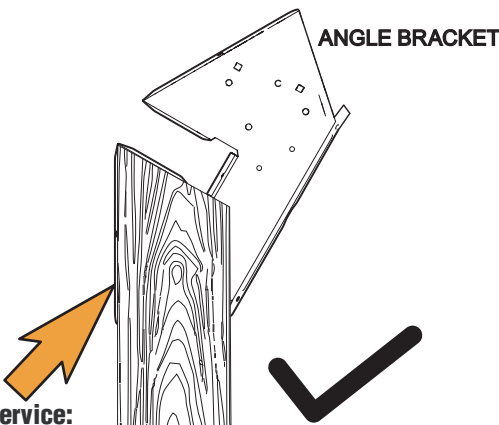
	7 ft. x 8 ft. 2134mm x 2438mm	8 ft. x 14 ft. 2438mm x 4267mm	10 ft. x 22 ft. 3048mm x 6705mm
A Upper	8 pcs 30-7/8 in. 784 mm	16 pcs 35-1/8 in. 892 mm	24 pcs 45 in. 1143mm
A Lower	8 pcs 27-1/4 in. 690 mm	16 pcs 32-1/4 in. 818 mm	24 pcs 39-1/4 in. 995 mm
B	8 pcs 55-7/8 in. 1420mm	16 pcs 66-3/4 in. 1695mm	24 pcs 76-3/4 in. 1950 mm
C	84 in. 2136 mm	96 in. 2438 mm	120 in. 3048 mm

2. Begin arch assembly by sliding 2 Part **A upper** into top **A bracket**, secure with 1-1/4" screws. Check page 10 step 1 and 2.

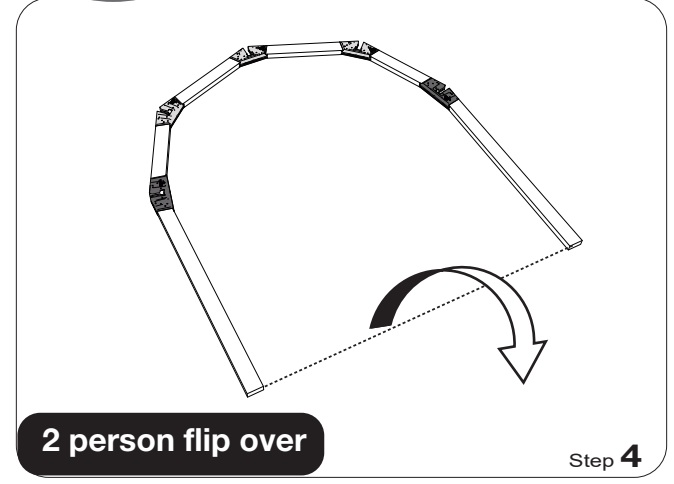
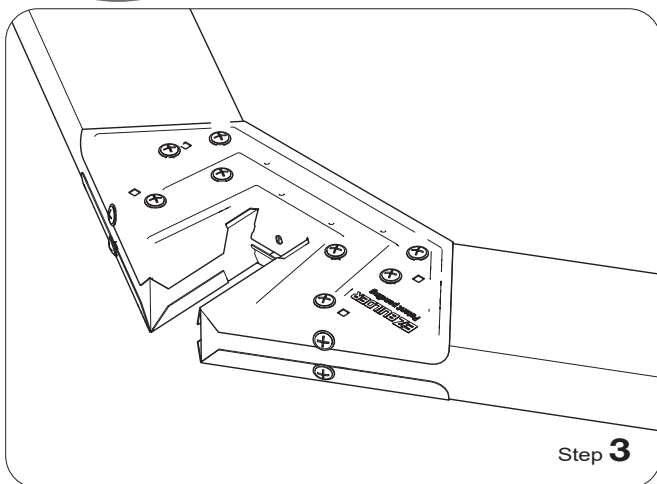
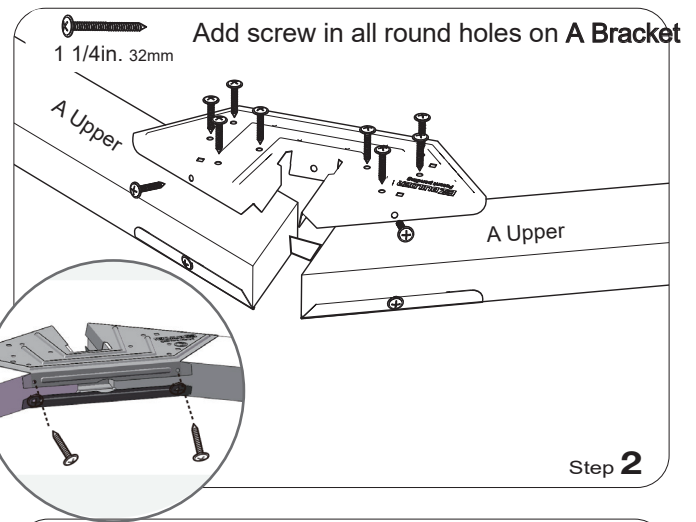
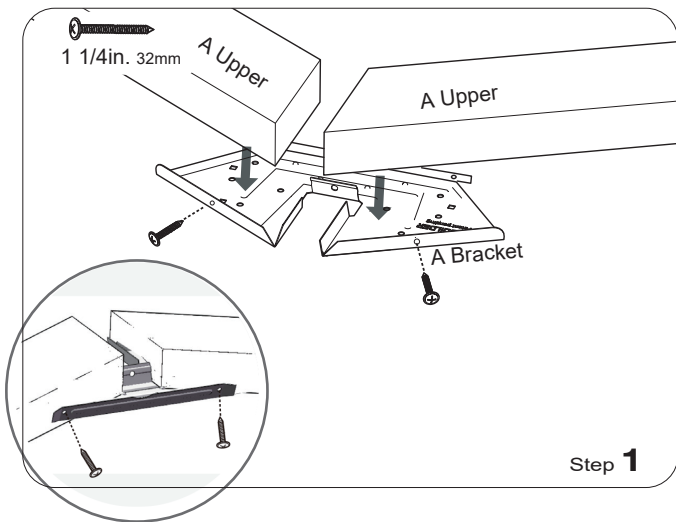
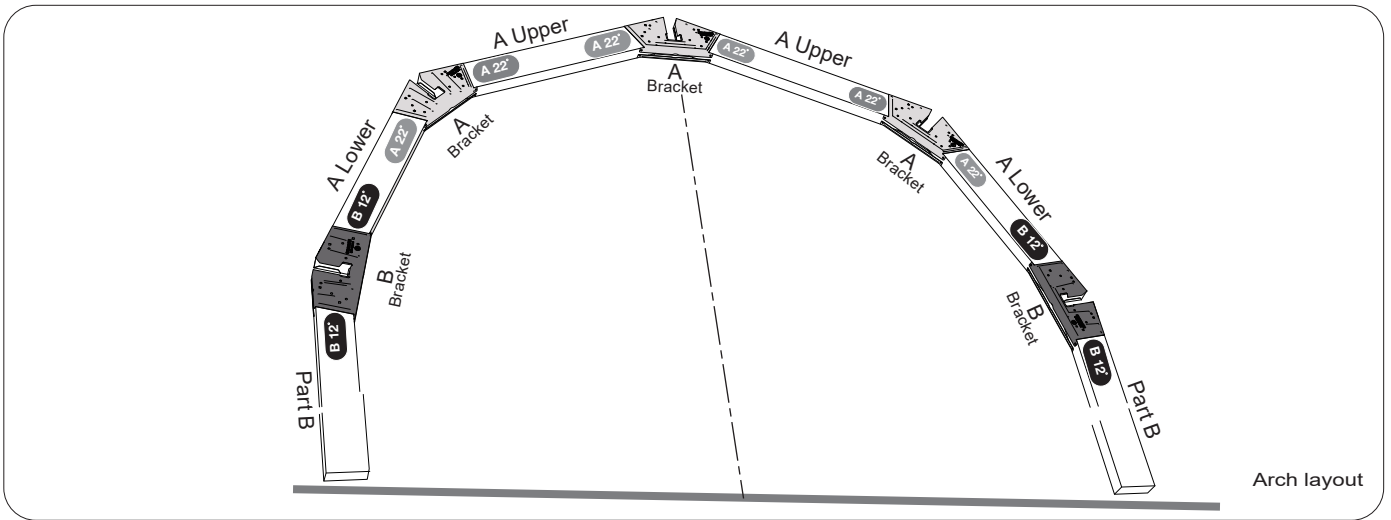
Attach the other 2 set of **A brackets** to part **A Upper/A Lower** and secure with 1-1/4" screws.

Attach the other 2 set of **B brackets** to **A Lower/part B** and secure with 1-1/4" screws.

Make sure each arch is built the same.



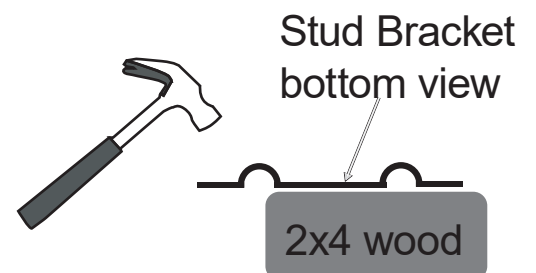
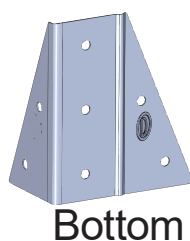
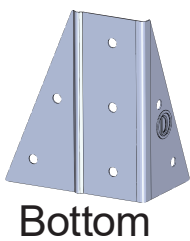
May need to adjust slightly to make sure you have the right width for the arch.



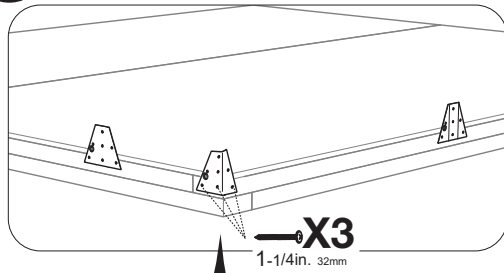
Repeat step 1 to 3 four times for the other brackets

Flip over to screw the brackets on the other side

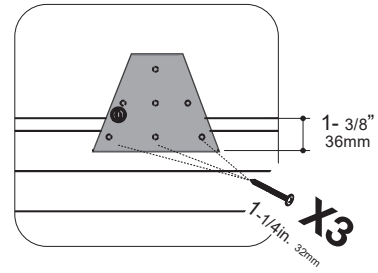
6 Bend 2 Stud Brackets on the left and 2 on the right



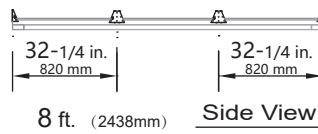
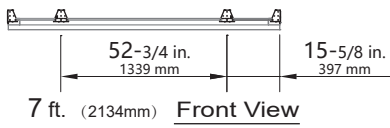
7



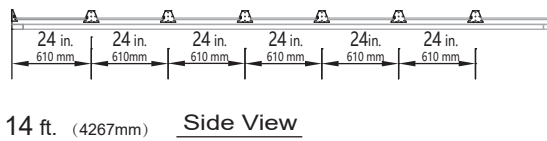
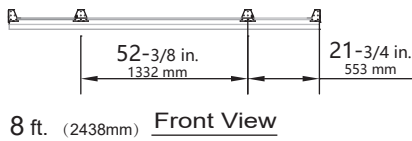
Use the bent stud brackets for the 4 corners



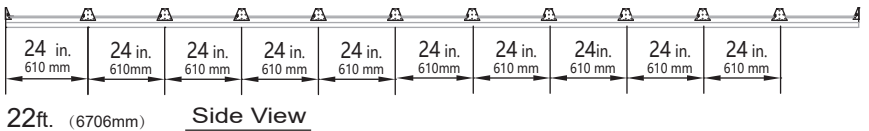
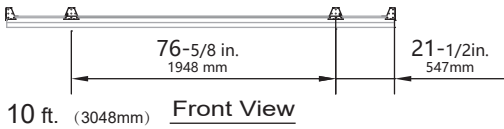
7 ft. x 8 ft.
2134 x 2438 mm



8 ft. x 14 ft.
2438 x 4267 mm

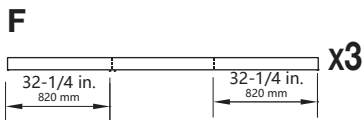


10 ft. x 22 ft.
3048 x 6706 mm

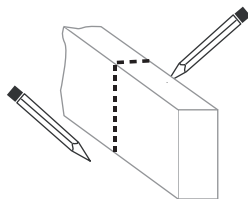
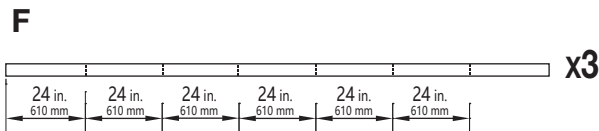


8 Draw a center line for **Part F**

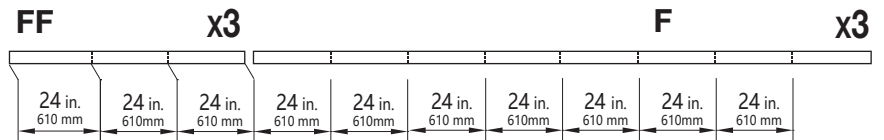
7 ft. x 8 ft.
2134 x 2438 mm



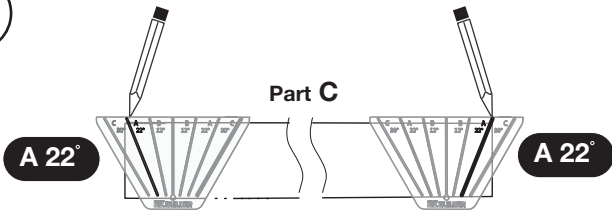
8 ft. x 14 ft.
2438 x 4267 mm



10 ft. x 22 ft.
3048 x 6706 mm



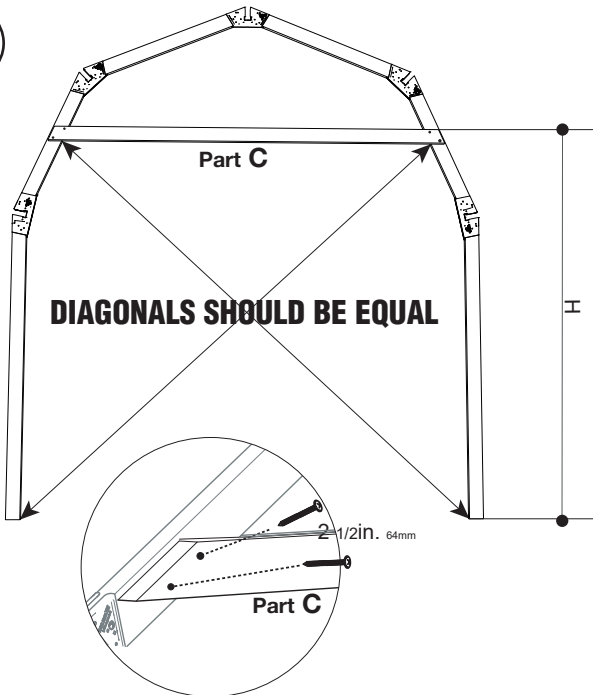
9



Put the **Angle Jig** at the end of the **Part C** and draw a line using the **A22°**

	7 ft. x 8 ft. 2134mm x 2438mm	8 ft. x 14 ft. 2438mm x 4267mm	10 ft. x 22 ft. 3048mm x 6705mm
Part C	4 pcs 69-1/4 in. 1760 mm	8 pcs 80-1/4 in. 2038mm	12 pcs 102-1/2 in. 2603mm

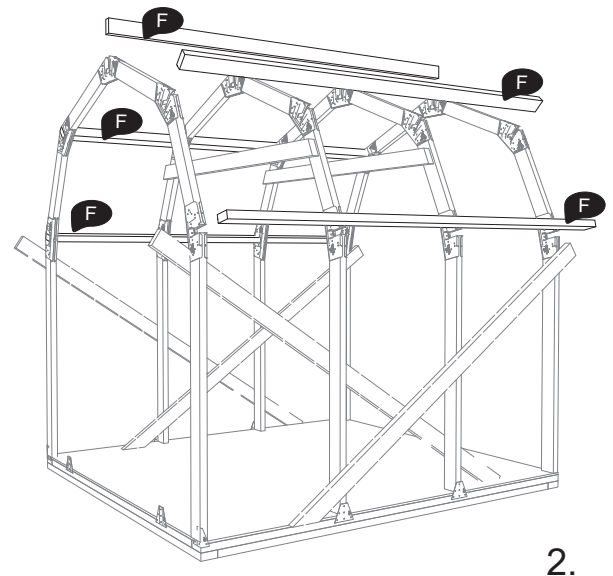
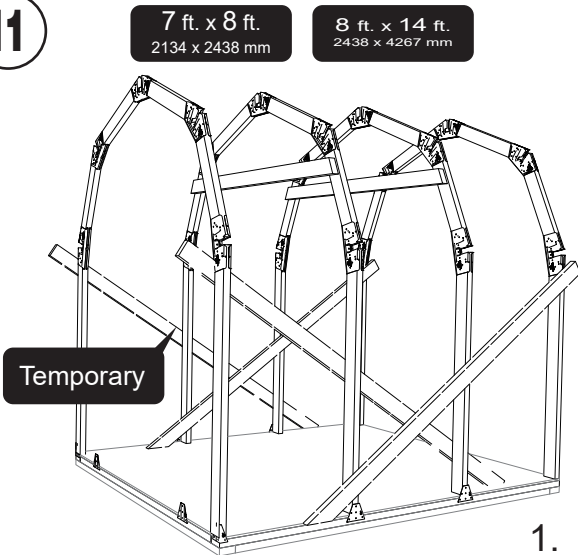
10



Just install the Part C on the middle arches. We will install the Part C later for the end arches.

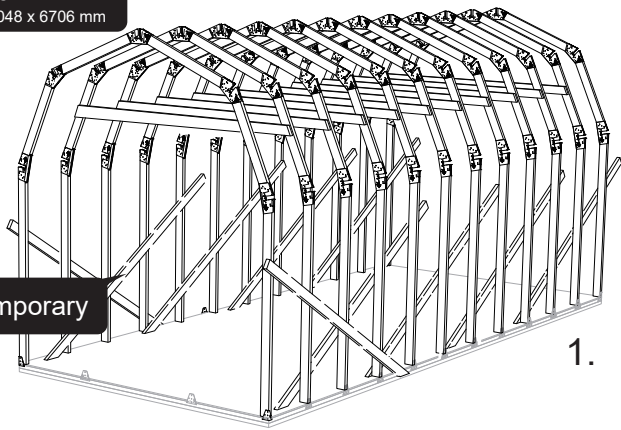
	7 ft. x 8 ft. 2134mm x 2438mm	8 ft. x 14 ft. 2438mm x 4267mm	10 ft. x 22 ft. 3048mm x 6705mm
H	2 pcs 75-1/2 in. 1919 mm	6 pcs 87-1/2 in. 2224mm	10 pcs 99-1/2 in. 2528mm

11

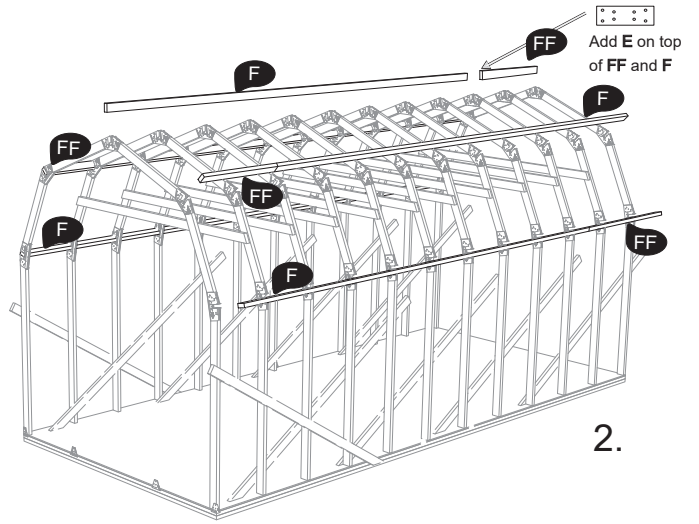


10 ft. x 22 ft.
3048 x 6706 mm

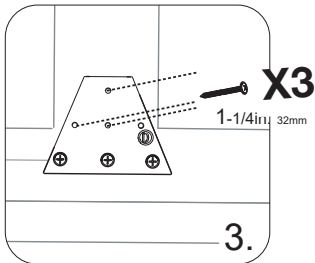
Temporary



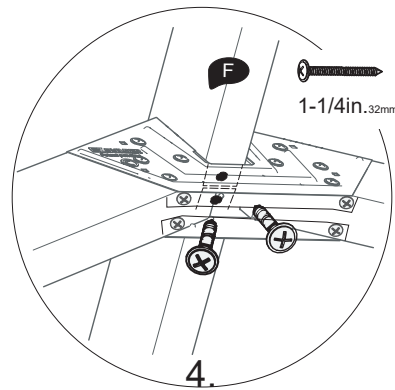
1.



2.



3.

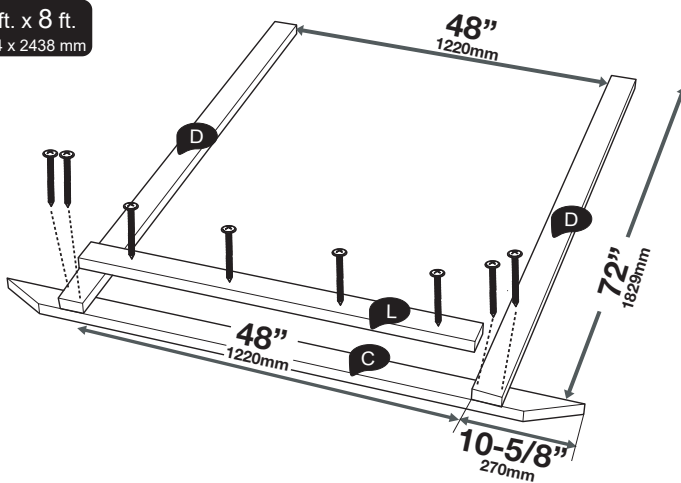


4.

12

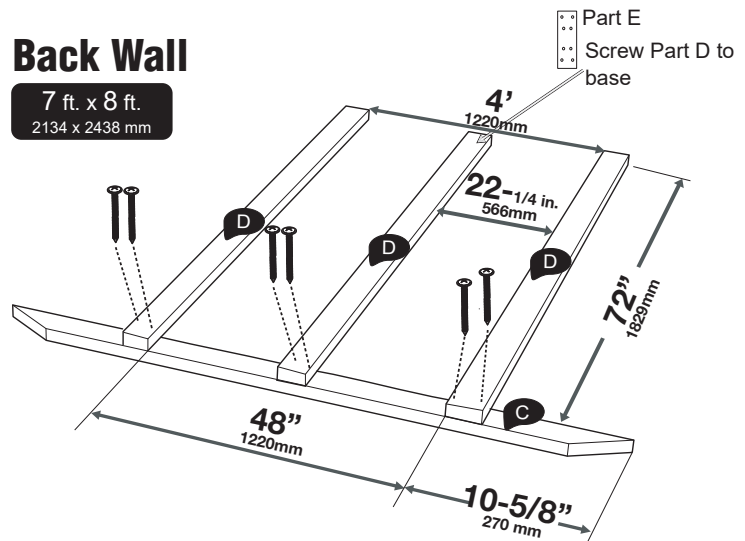
Door Jambs

7 ft. x 8 ft.
2134 x 2438 mm

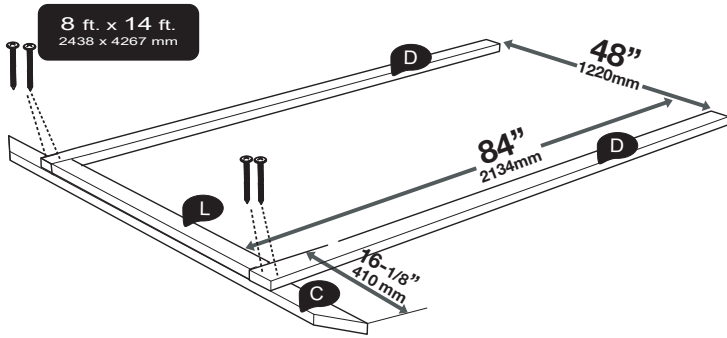


Back Wall

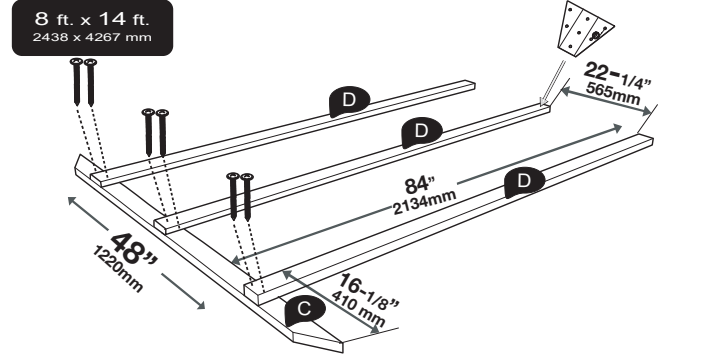
7 ft. x 8 ft.
2134 x 2438 mm



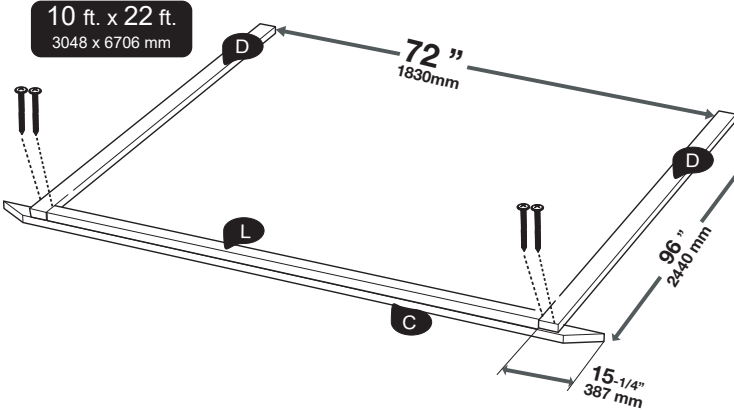
Door Jambs



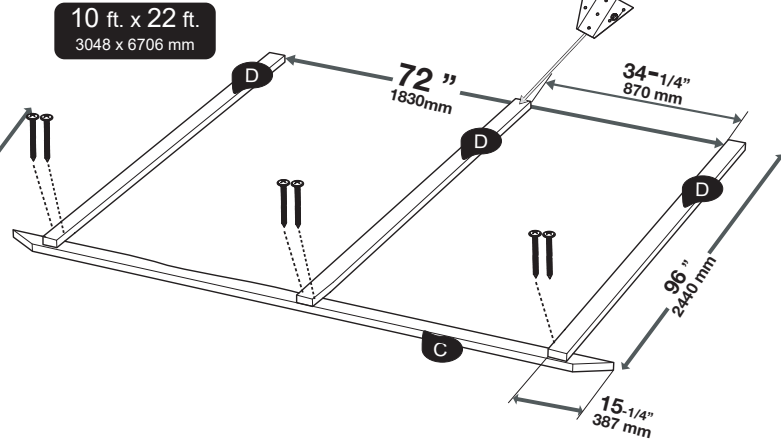
Back Wall



Door Jambs

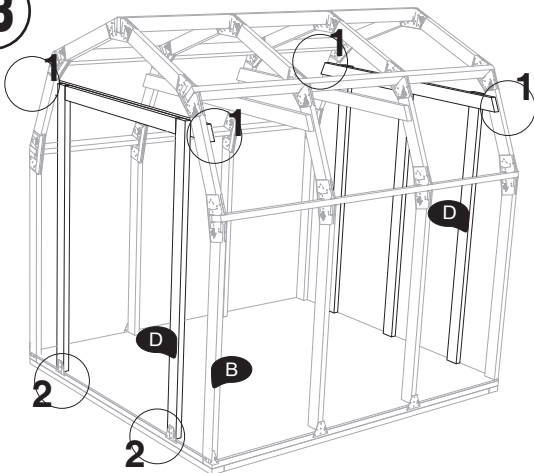


Back Wall

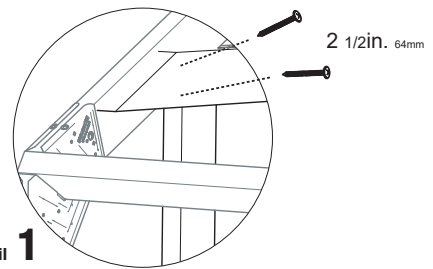


13

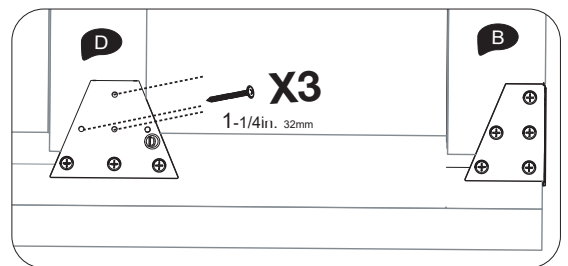
Back Wall



Door Jambs




Detail 1



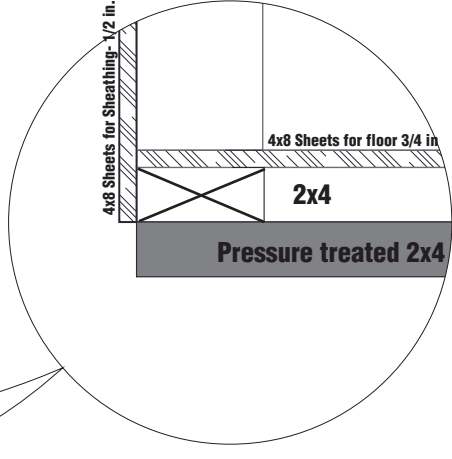
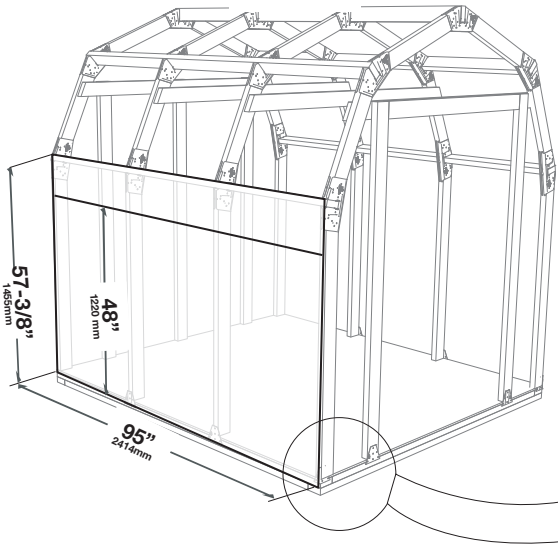
Detail 2

14

7 ft. x 8 ft.
2134 x 2438 mm


 **1-1/4in. 32mm**

Add a screw every 20" on every stud.

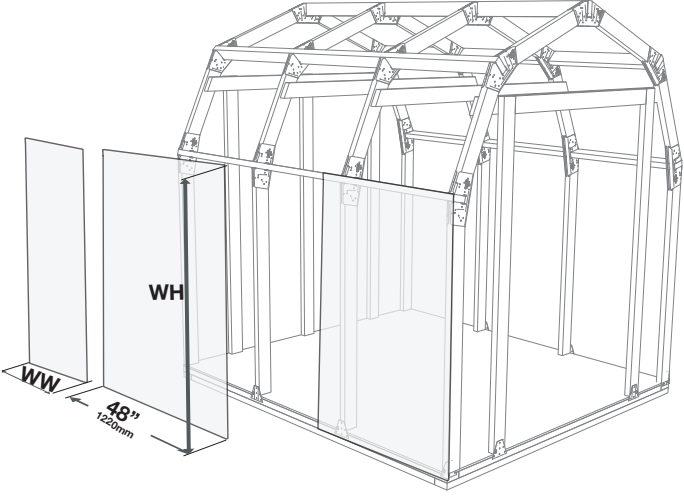


8 ft. x 14 ft.
2438 x 4267 mm

10 ft. x 22 ft.
3048 x 6706 mm

 **1-1/4in. 32mm**

Add a screw every 20" on every stud.

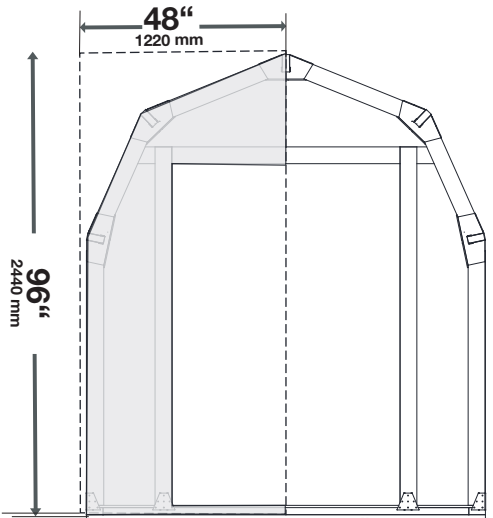
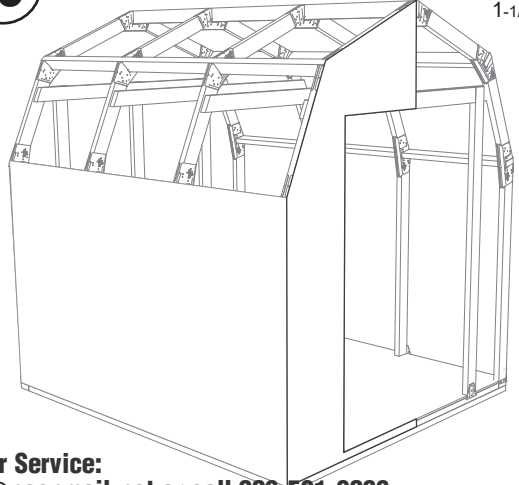


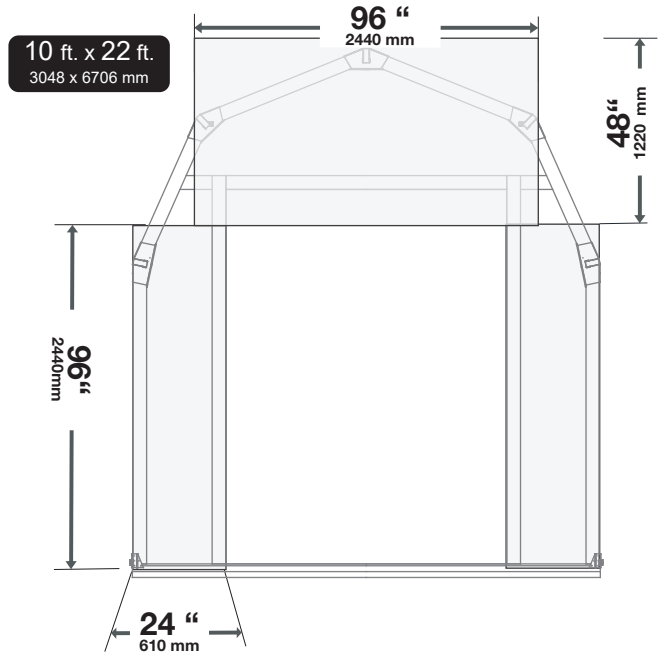
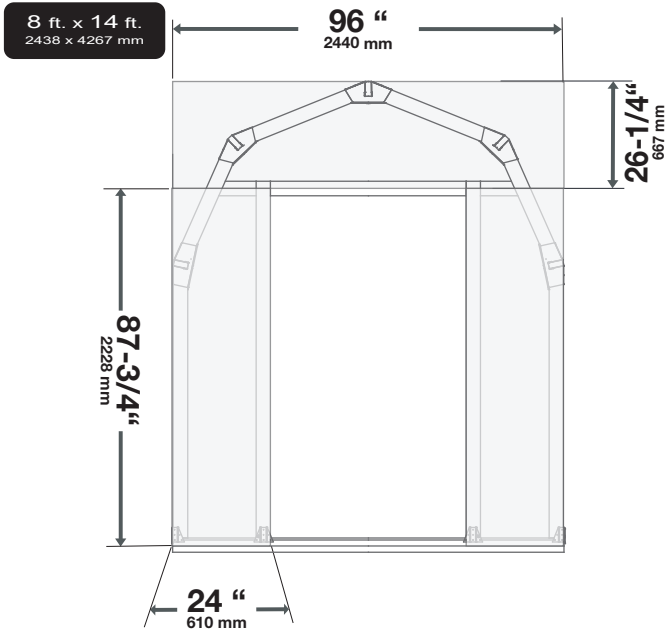
	8 ft. x 14 ft. 2438mm x 4267mm	10 ft. x 22 ft. 3048mm x 6705mm
WH width 48"	6 pcs 68-1/2 in 1738 mm	10 pcs 93 in. 2361 mm
WW	2 pcs 23-7/8 in. 607 mm	2 pcs 24-3/4 in. 628 mm

15

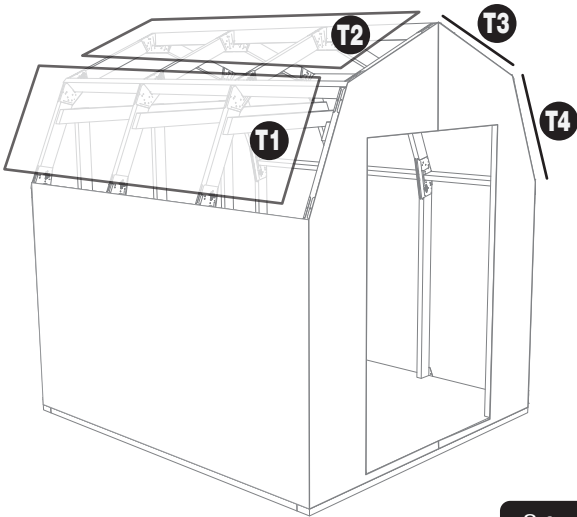
7 ft. x 8 ft.
2134 x 2438 mm

 **1-1/4in. 32mm**



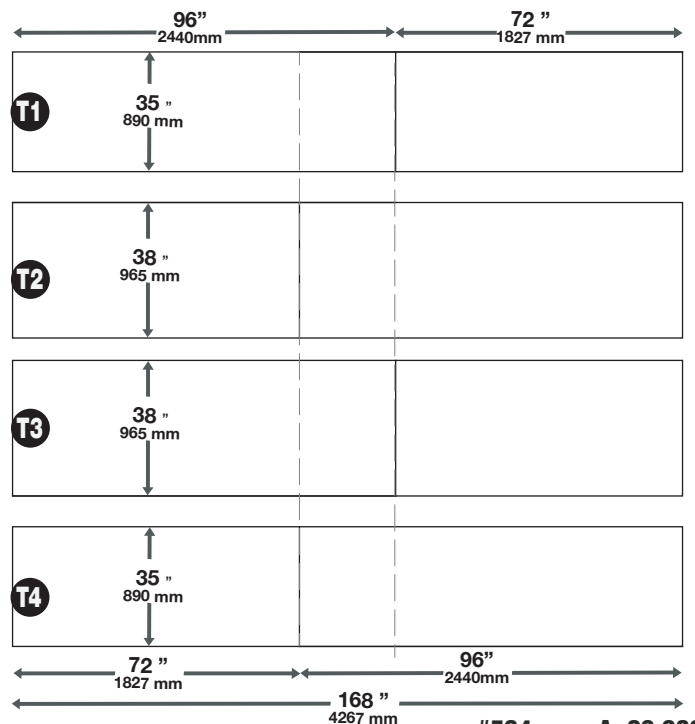
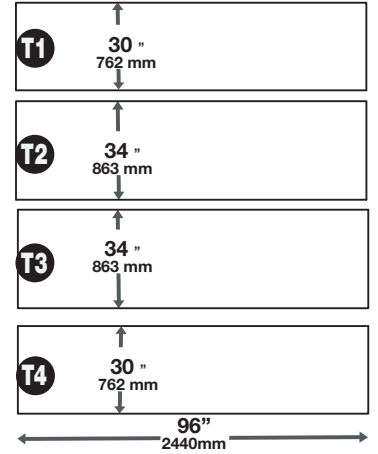


16 1-1/4 in. 32mm

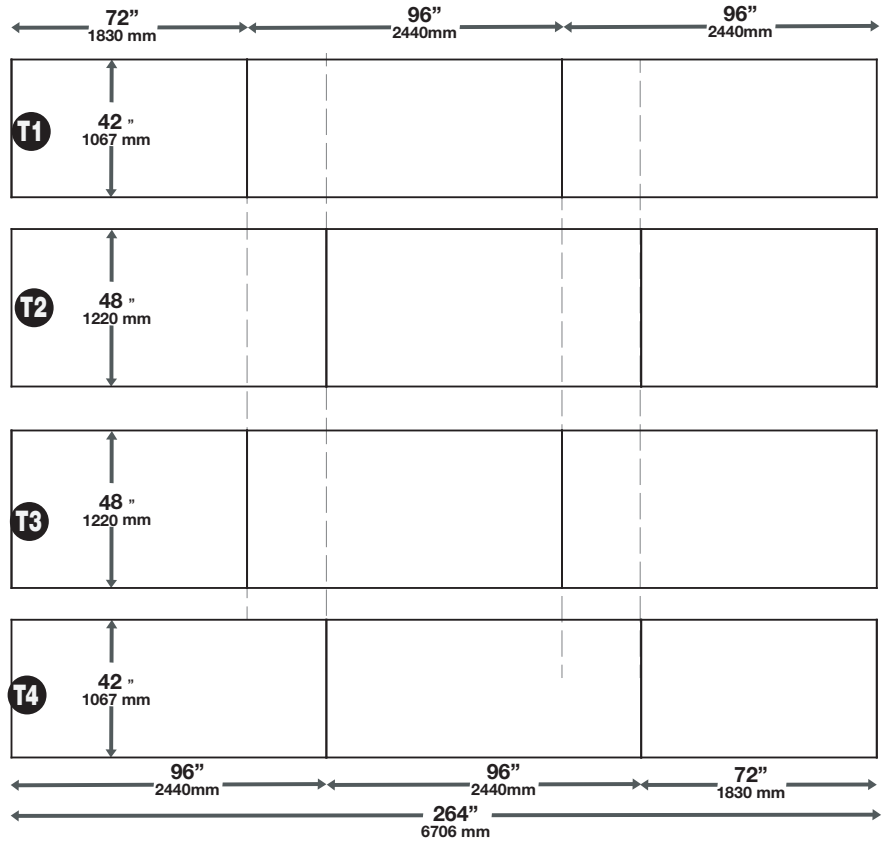
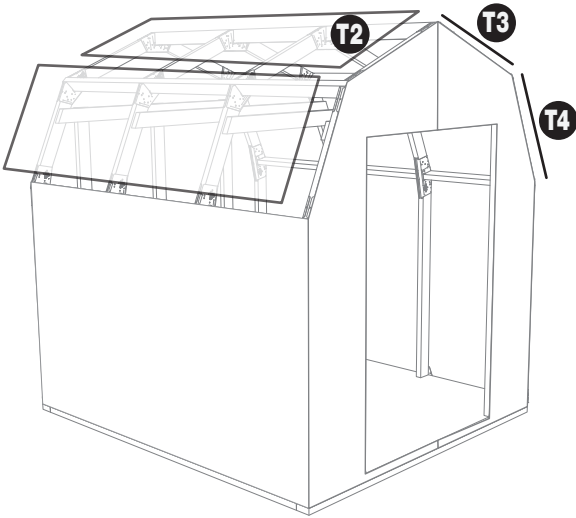


8 ft. x 14 ft.
2438 x 4267 mm

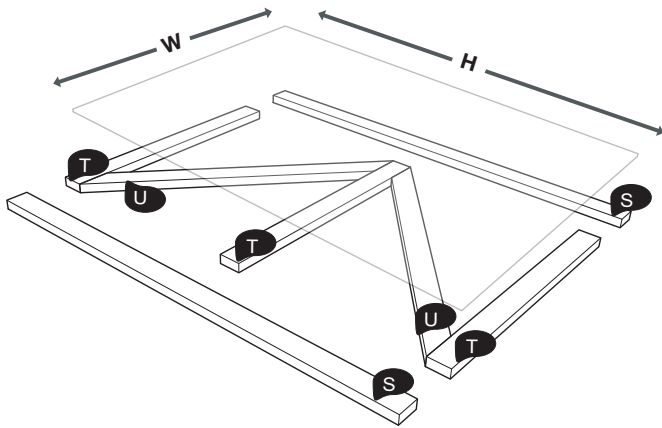
7 ft. x 8 ft.
2134 x 2438 mm



10 ft. x 22 ft.
3048 x 6706 mm



17 Door



- 7 ft. x 8 ft.**
2134 x 2438 mm
- 8 ft. x 14 ft.**
2438 x 4267 mm
- 10 ft. x 22 ft.**
3048 x 6706 mm

	W	H	
	47-3/4 in. 1212 mm	71-3/4 in. 1821 mm	x1
	47-3/4 in. 1212 mm	83-3/4 in. 2127 mm	x1
	35-7/8 in. 911 mm	95-3/4 in. 2430 mm	x2

Customer Service

If you have a question or concern

Email: service@neopmail.net

or call 203-591-9033

Monday-Friday 8:30am-4:30pm EST

PDF manual <https://ezgomanuals.com>

DO NOT RETURN TO THE STORE!