

**TUCKERTON MEADOWS HOMEOWNERS ASSOCIATION  
PARKING STICKER APPLICATION AGREEMENT**



PLEASE PRINT

Name of Unit Owner: \_\_\_\_\_

Address of Unit: \_\_\_\_\_

Email Address: \_\_\_\_\_

Owner Phone Nos.: Home \_\_\_\_\_ Work \_\_\_\_\_

Name of Tenants: \_\_\_\_\_ (if applicable)

Tenant's Phone Nos.: Home \_\_\_\_\_ Work \_\_\_\_\_ (if applicable)

**Vehicle Information, 1 sticker per vehicle**

Vehicle License Plate	Make/Model	Year	Color
1. _____	_____	_____	_____
2. _____	_____	_____	_____
3. _____	_____	_____	_____

Please complete the above fields; application must include a copy of current vehicle registration for each vehicle. Parking stickers will be mailed to the above address. Parking stickers are \$5.00 each and will be billed to your HOA account. Accounts more than 2 months delinquent are subject to towing as per **Policy Resolution No.2016P Relating to Parking and Towing.** Parking resolution is available at [www.tuckertonmeadows.com](http://www.tuckertonmeadows.com)

By signing below, I/we agree to abide by all rules and regulations regarding the use of parking spaces and the vehicle rules.

\_\_\_\_\_  
Unit Owner Signature

\_\_\_\_\_  
Date

Applications can be mailed or emailed to:

VINCENT ACCARDI, Community Association Manager  
Avenue, Suite 201 | Mt. Laurel, NJ 08054  
609.546.7004 | Toll Free 800.870.0010

Email Vincent at [vincent.accardi@fsresidential.com](mailto:vincent.accardi@fsresidential.com)

**[www.fsresidential.com](http://www.fsresidential.com)**



## Important Parking Sticker Information

Parking Stickers are required on all vehicles parked in the development.

Parking Pass applications can be downloaded at [www.tuckertonmeadows.com](http://www.tuckertonmeadows.com)

There is also other helpful information on the site. Applications require a copy of the vehicle registration for parking sticker to be issued.

Parking sticker placement is very important. Please use the below pictures for placement of sticker.

Accounts more than 2 months delinquent are subject to towing as per the parking resolution. Parking resolution is also available at [www.tuckertonmeadows.com](http://www.tuckertonmeadows.com)

Parking stickers are \$5.00 and will be billed to your account.

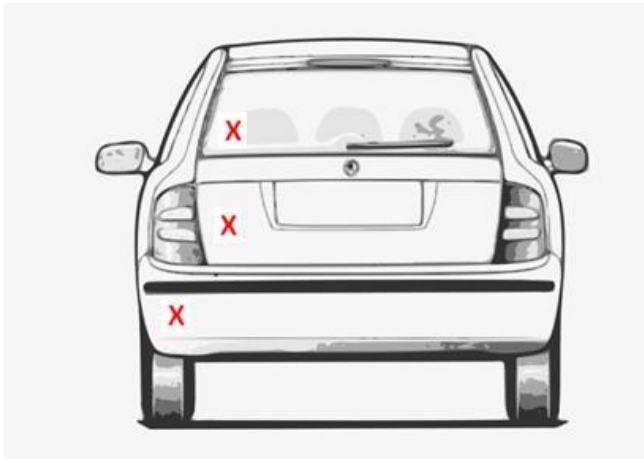
Thank You for your help.

## Parking Sticker Placement

Sticker placement for vehicles, **outside of the vehicle**,

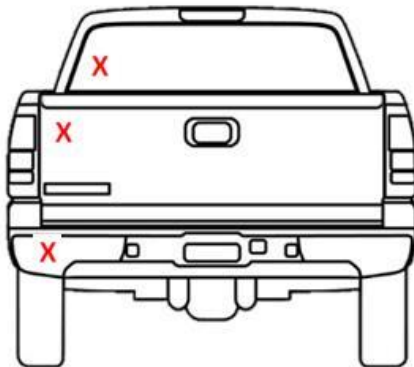
red **X** indicates placement for sticker so it can be easily see.

**Driver Side Rear of the vehicle.**



Sticker Placement for Pick-up Trucks, outside of the truck.

**Driver Side Rear of the vehicle.**



## This is the New Parking Sticker

