



INSTALLATION GUIDE

VW T5 & T6



PREMIUM QUALITY
BUILT TO LAST



PRECISION
ENGINEERED



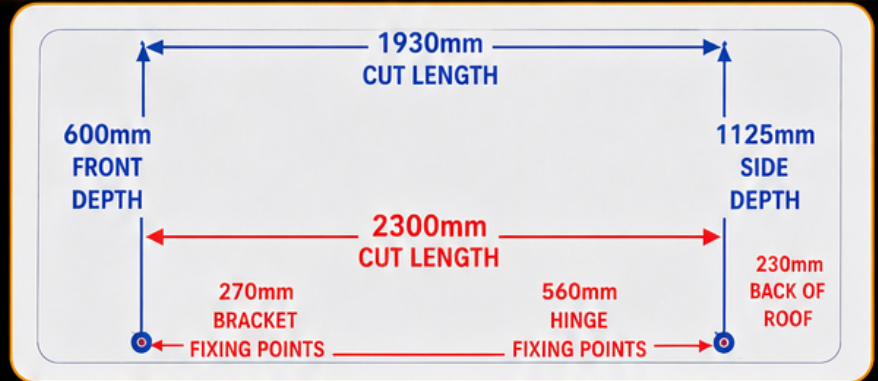
TESTED & TRUSTED
BY PROFESSIONALS



1 Start by removing the headlining inside the van and move the wiring that runs along the top of the van. From inside the cab the headlining and the trim down the pillars needs to be removed.



2 Use the specifically prepared template and measurement sheet to mark out the outside. Measurements can be taken to mark where to cut the large hole that will be covered by the elevating roof.

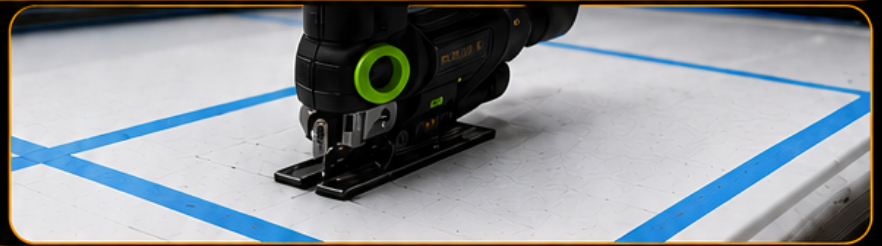


— CUT LINE — MEASUREMENT

○ BRACKET FIXING POINTS

● HINGE FIXING POINTS

3 Protect the interior upholstery of the van before you begin. Jigsaw the roof panel out using an extra long metal blade.



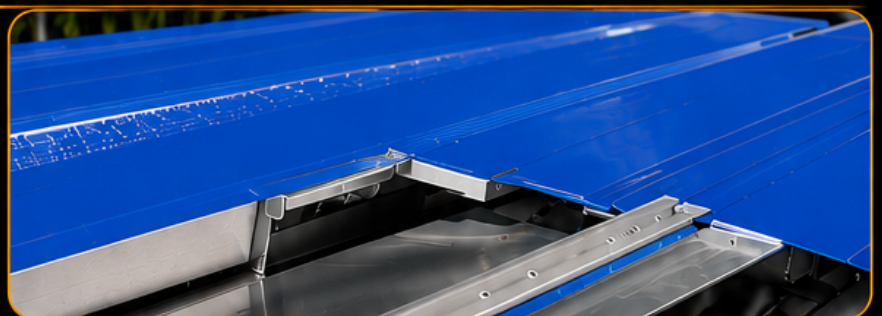
4 Once the roof panel has been cut out, carefully remove the roof. De-burr the sharp edges and Prime the cut edges. Now Proceed to glue and attach the cab frame And attach the ends above the doors using the TEK screws provided.



5 See template for measurement of where to fit rivnuts for hinges and brackets and Fit the rivets in the gutter.



6 Fit the side and rear strengthening frames. Ensure all surfaces are clean and apply a continuous bead of adhesive before positioning the frames. Secure using the supplied rivets and allow the adhesive to cure as recommended.





7

Lift the roof over the van with assistance and align the scissor hinges. You will probably need some props or manpower to help with this stage.



8

Align the scissor hinges and gas struts brackets using the template or specification sheets, now Attach the scissor hinges securely and adjust alignment if needed.



9

Attach gas struts, allow the canvas to drop, centre it, and fasten it to the van using the PVC strips and self tapping screws provided. Note, the roof may need to be strapped down a little to get the desired height and tension before fastening the canvas.



10

Run a bead of sealant around the bottom of the exterior of the canvas where it attaches to the van.



11

Fit the front pod. We recommend using good quality bonding as well (LWB as a couple of screws from inside the cab area to give the best bond.

(LWB ONLY)





INSTALLATION GUIDE T5 & T6 ★



IMPORTANT NOTE

Clean all swarf and debris immediately after installation.

After cutting and drilling, thoroughly vacuum the roof aperture, gutters and vehicle interior. Metal filings left behind can cause corrosion, damage trim panels and stain interior fabrics.



TOOLS REQUIRED

REQUIRED



JIGSAW
(METAL BLADE)



DRILL / DRIVER



RIVET GUN



SEALANT GUN



TAPE MEASURE

RECOMMENDED



DEBURRING TOOL



MARKER PEN



SOCKET SET



PPE
(EYE PROTECTION,
GLOVES & EAR PROTECTION)



FINAL CHECKS

Before handing the vehicle over, ensure:

- ✓ All rivets are fitted correctly
- ✓ Roof opens and closes freely
- ✓ Hinges and brackets are secure
- ✓ Sealant joints are continuous and watertight
- ✓ Gas struts operate smoothly
- ✓ Interior trim and wiring are secure
- ✓ Canvas is correctly tensioned
- ✓ No swarf remains in the vehicle



ROOF CARE REMINDER

To maximise the lifespan of your Starlight Poptop:

- 🚫 Never close the roof with objects trapped in the canvas.
- 🧼 Dry the canvas before long-term storage.
- 🔍 Inspect hinges and fixings periodically.
- 🔧 Lubricate moving parts as required.
- ✓ Reapply canvas waterproof treatment annually.



THANK YOU!

FOR CHOOSING STARLIGHT POPTOPS

We take pride in producing quality elevating roofs designed for years of adventure. If you require technical support, spare parts or fitting advice, please get in touch.



STARLIGHTPOPTOPS.CO.UK



07985 104950



@STARLIGHTPOPTOPS

STARLIGHT POPTOPS

ROOF CARE & MAINTENANCE

VW T5 & T6 ELEVATING ROOFS

Helping you keep your Starlight Poptop performing at its best for years to come.



CANVAS CARE

- Clean the canvas using warm water and a mild soap solution only.
- Do not use pressure washers, solvents, harsh chemicals or abrasive cleaners.
- Treat all canvas seams annually with a suitable waterproofing product such as Fabsil®.
- Reapply waterproof treatment more frequently if exposed to prolonged wet weather.



ROOF OPERATION

- Apply even pressure when lowering the roof.
- Ensure the canvas is neatly tucked inside the aperture.
- Check securing straps are correctly tensioned before fully closing.
- Never force the roof closed if resistance is encountered.



HINGES & MECHANISMS

- Lubricate hinges and moving parts annually.
- Inspect brackets and fixing points regularly.
- Check gas struts for smooth operation.
- Tighten any loose fasteners as required.



ROOF SURFACE CARE

- Wash regularly using quality automotive shampoo.
- Apply a quality wax periodically.
- Machine polish every 24 months using a suitable compound such as Farecla G3.
- Protect against UV exposure and weathering.



WEATHER RECOMMENDATIONS

Keep the roof fully closed during:



Heavy Rain



Strong Winds



Storm Conditions



Heavy Snowfall



Extreme Weather Events



MAINTENANCE CHECKLIST

- Canvas inspected for damage
- Waterproof treatment applied
- Hinges lubricated
- Gas struts checked
- Fixings and brackets tightened
- Roof surface cleaned and waxed
- Sealant joints inspected
- Roof opens and closes smoothly
- Canvas straps and fasteners secure



CUSTOMER SUPPORT STARLIGHT POPTOPS



Unit 2A
Emley Business Park
Emley
HD8 9QY



Dean: 07985 104950



info@starlightpoptops.co.uk



starlightpoptops.co.uk



THANK YOU!

Thank you for choosing Starlight Poptops.

We take pride in producing quality elevating roofs designed for years of adventure.

If you require technical support, spare parts or fitting advice, please get in touch.

