

WELDING JOINTS

WELDING JOINTS

- Butt joint
- Lap joint
- Tee joint
- Corner joint
- Edge joint

WELDING JOINTS

➤ BASIC WELDING JOINTS

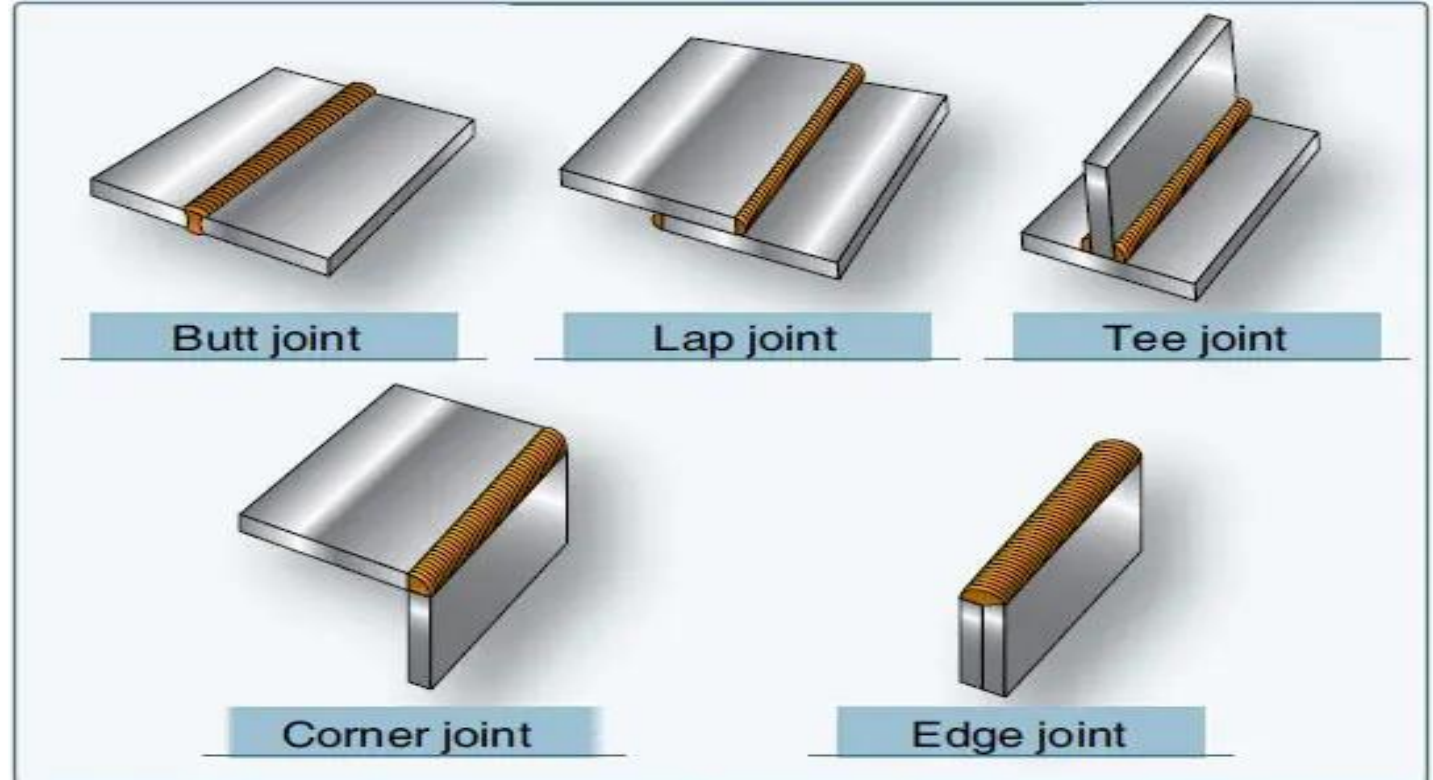
➤ **Butt joint:** Square edge, single V butt joint, single U butt joint, single J butt joint, double V butt joint, double U butt joint.

➤ **Lap joint:** Single fillet & Double fillet lap joint.

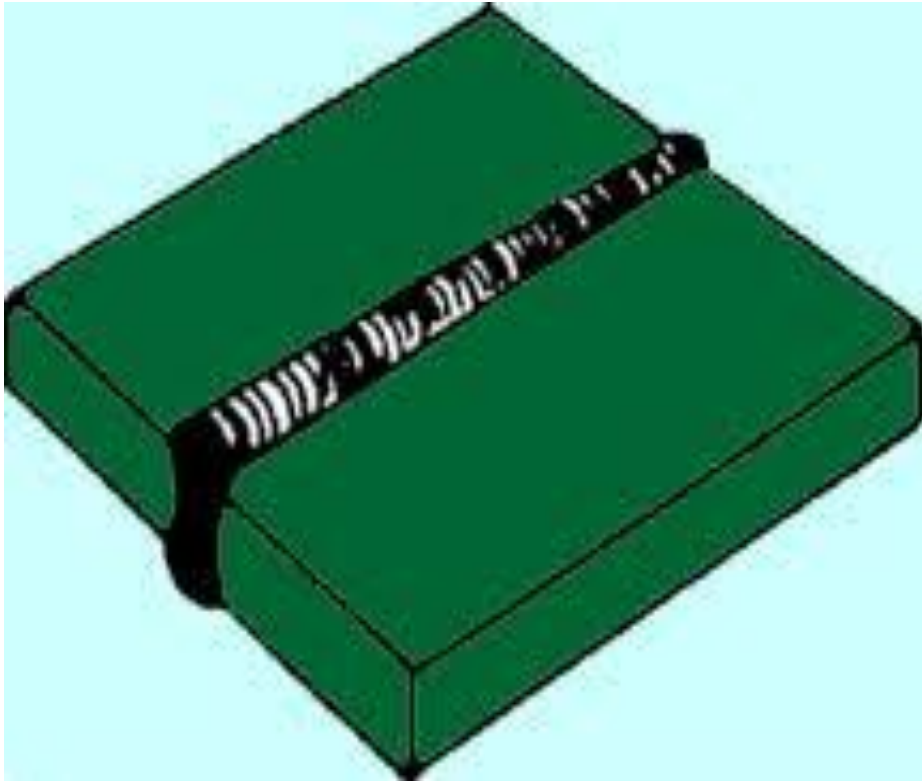
➤ **Tee joint:** Square/plain T joint, single bevel T-joint, double bevel T-joint, single J T-joint, double J T-joint.

➤ **Corner joint:** Flush corner joint, half open corner joint, full open corner joint.

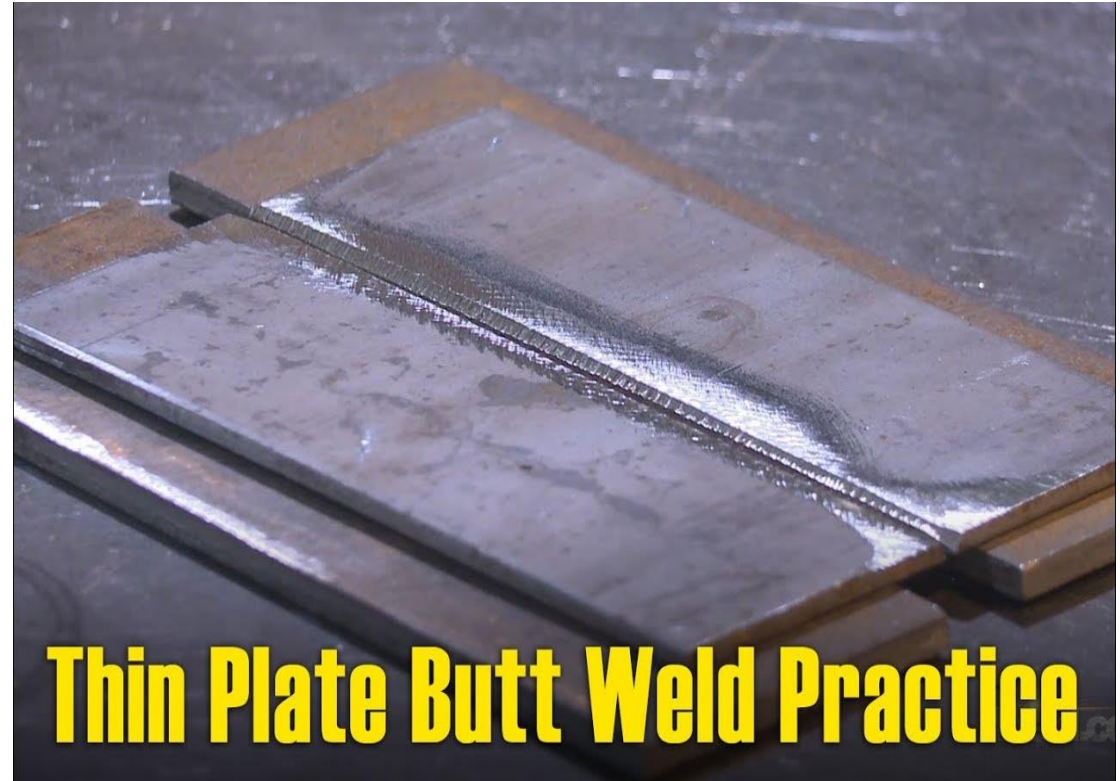
➤ **Edge joint**



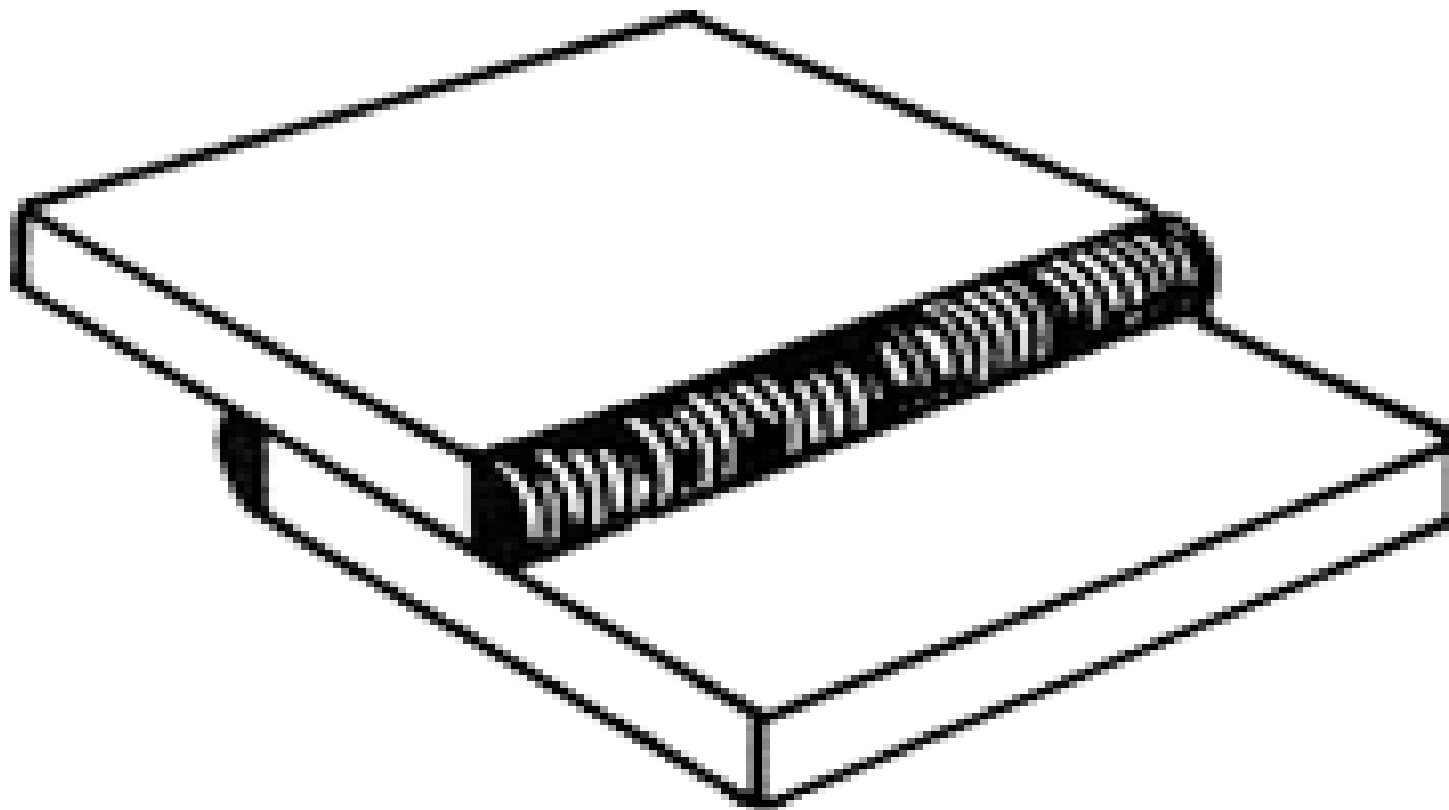
WELDING JOINTS



BUTT JOINT

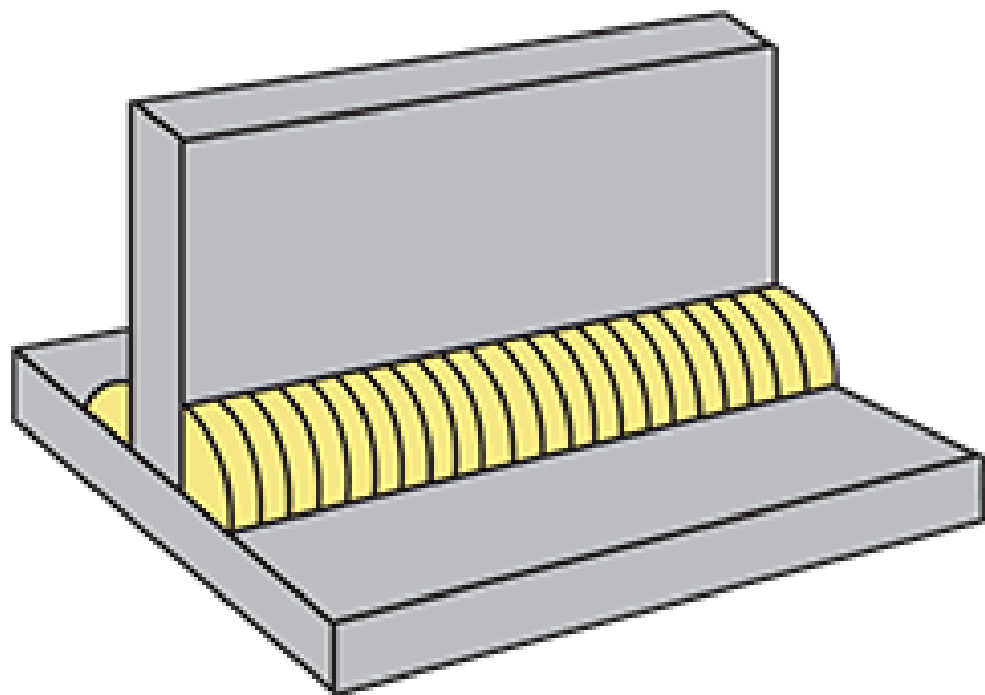


WELDING JOINTS



LAP JOINT

WELDING JOINTS

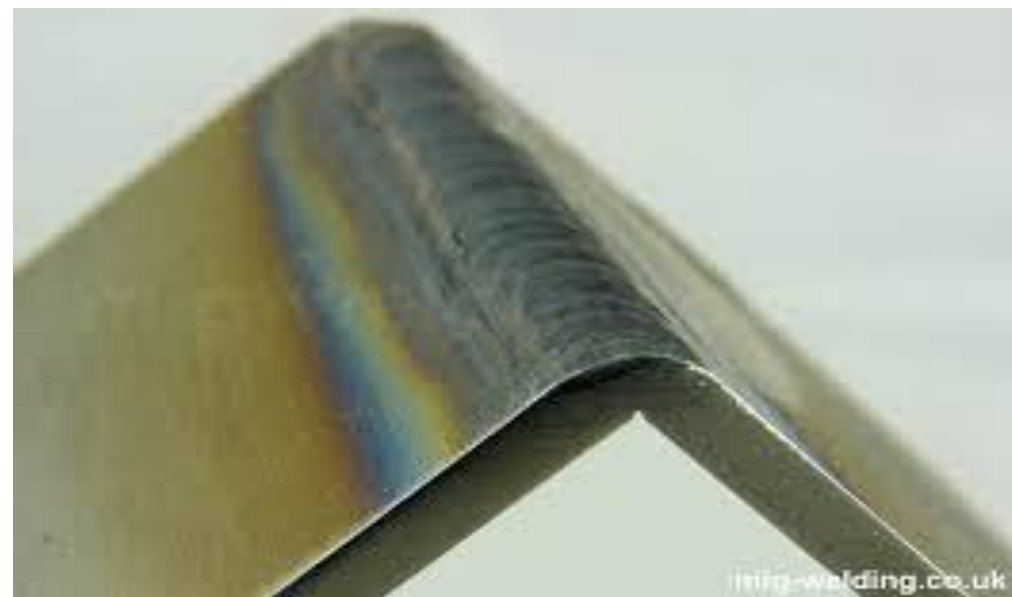
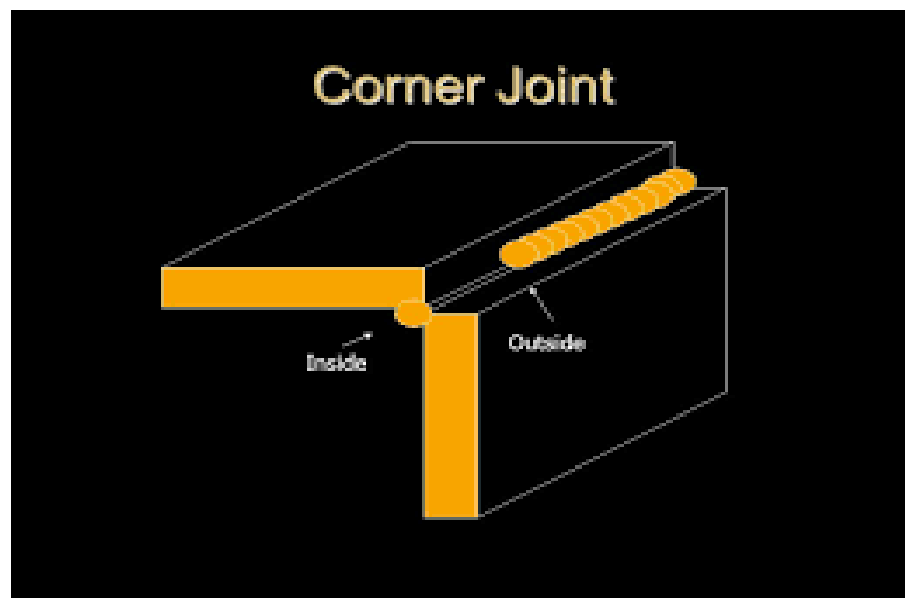


TEE JOINT



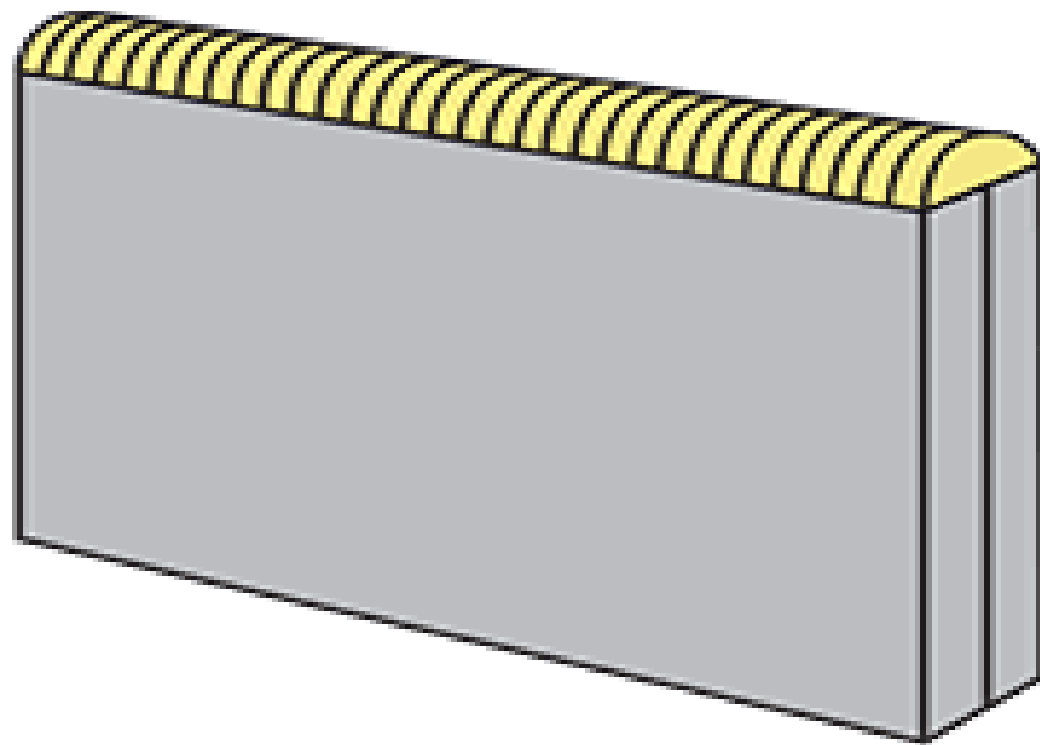
Tee Joint

WELDING JOINTS



CORNER JOINT

WELDING JOINTS



EDGE JOINT