

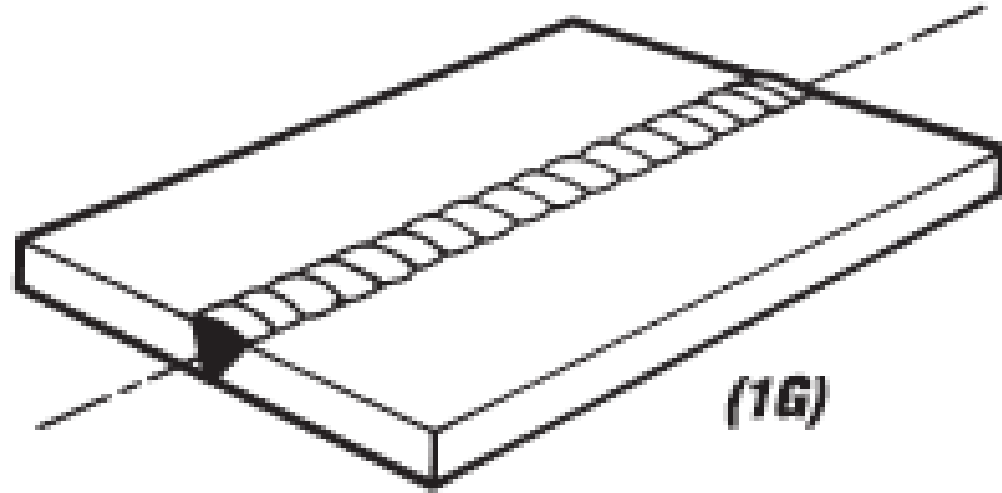
# WELDING POSITION

# WELDING POSITION

## ➤ TYPES OF WELDING POSITION

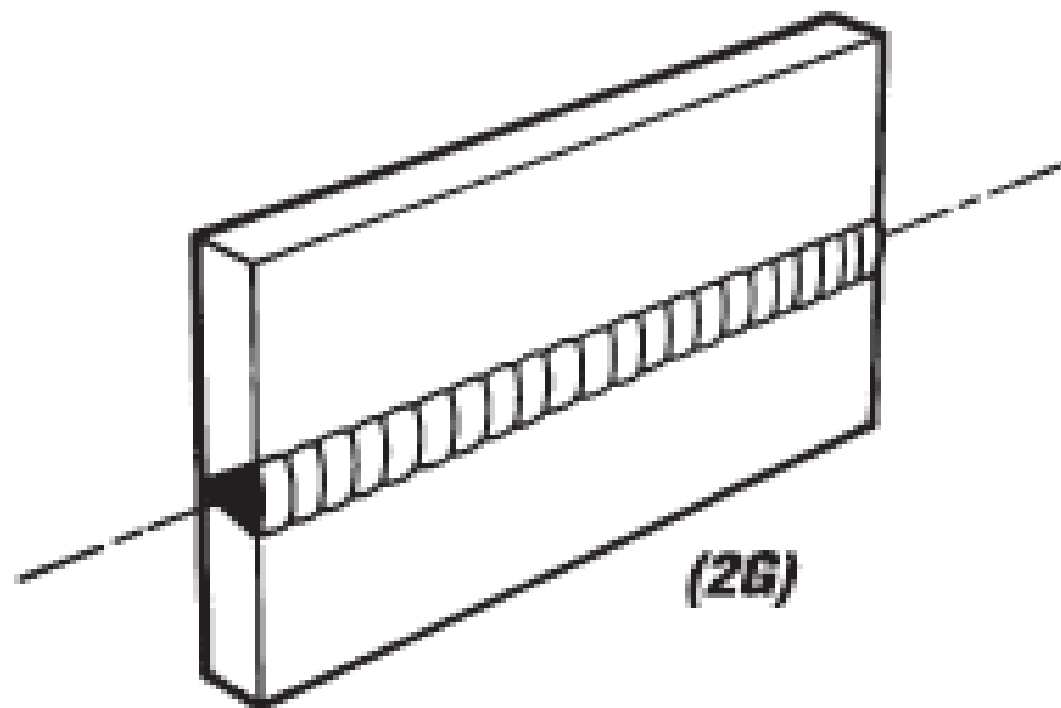
- Down head position / flat position
- Horizontal position
- Vertical position
- Overhead position

# WELDING POSITION



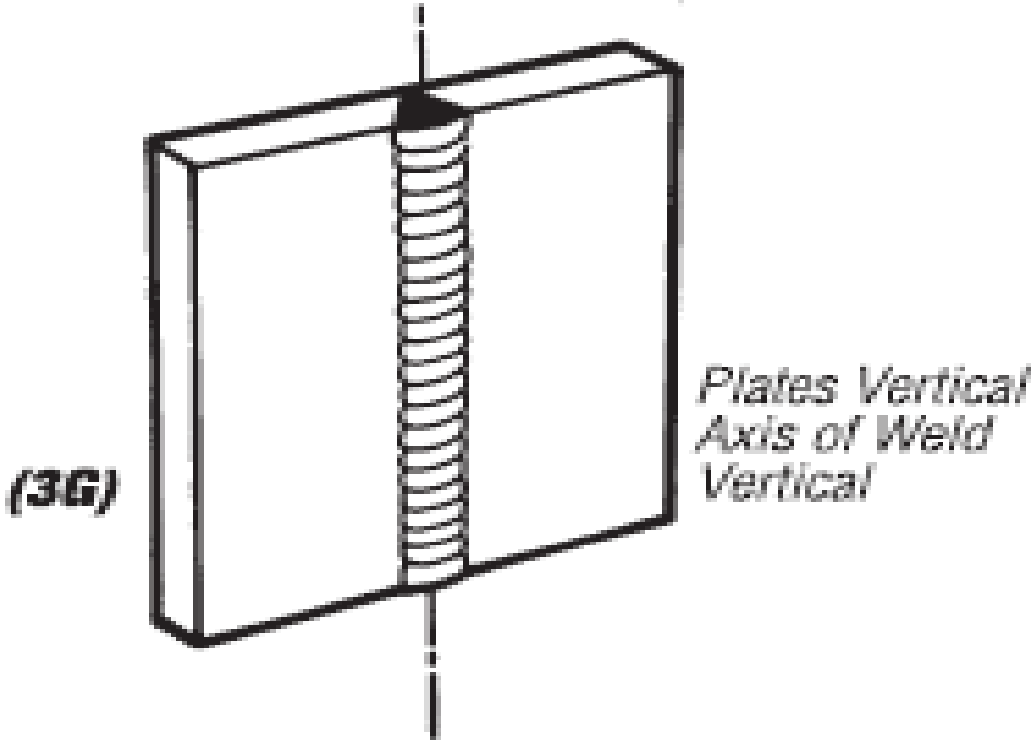
DOWNHEAD POSITION

# WELDING POSITION



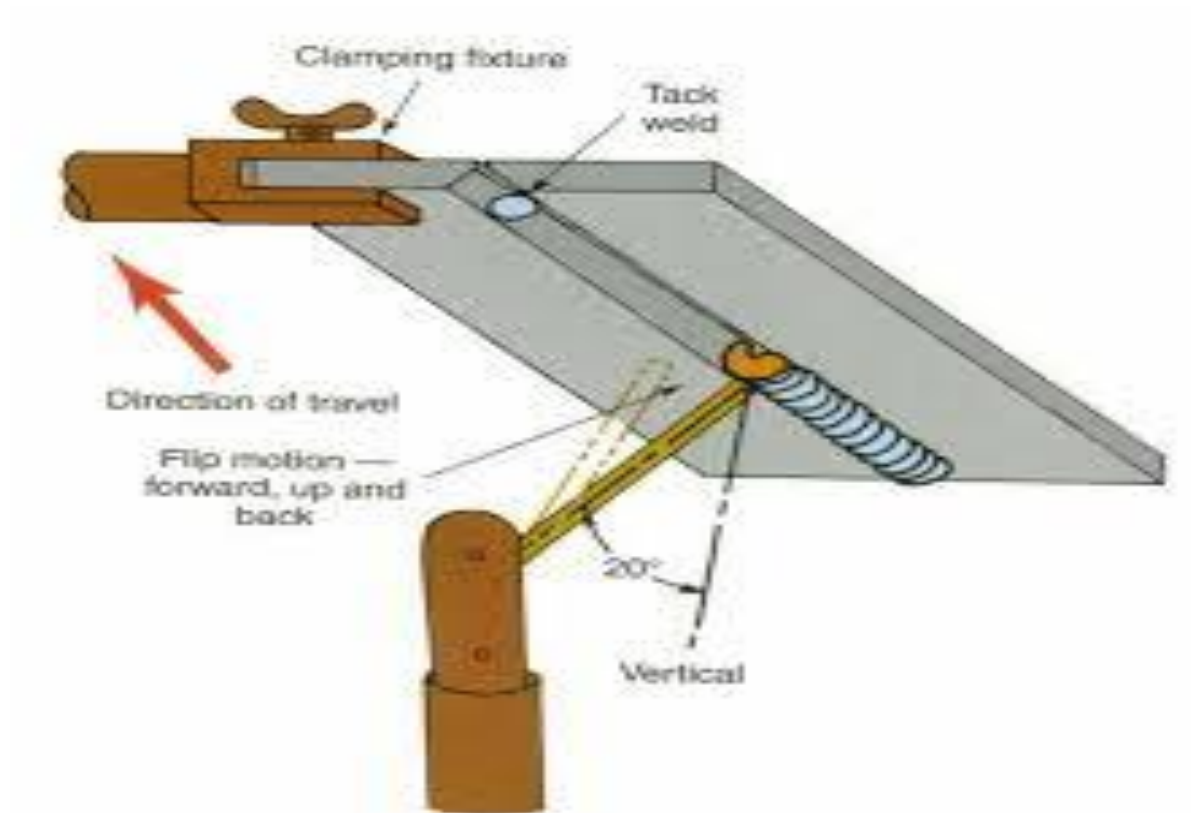
HORIZONTAL POSITION

# WELDING POSITION



VERTICAL POSITION

# WELDING POSITION



OVERHEAD POSITION