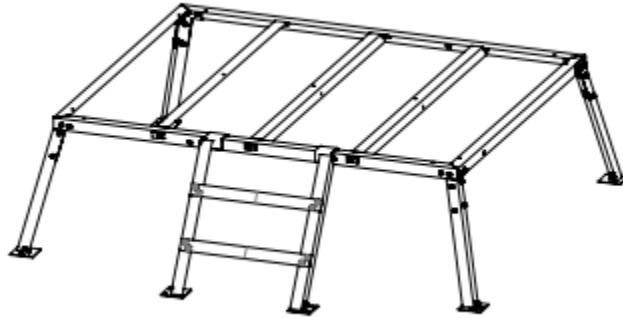


2 FOOT UNIVERSAL TOWER ASSEMBLY



1. Attach tower feet to tower legs with 3/8 x 1" bolts & 3/8" nylon lock nuts. (Fig 1)
2. Lift the base to 2 feet high.
3. Attach 4 legs to the leg anchors on the base with 4 - 3/8 x 1" bolts & 4 - 3/8" nylon lock nuts for each. Repeat this on all four legs. (Fig 2)
4. Place left and right infinity platform anchors on the rail of the base centered on the approximate door location of the blind. (Fig 3)

UNIVERSAL 2 FOOT LADDER ASSEMBLY & ATTACHMENT (Fig 4)

5. Attach ladder steps to ladder rails using 8 - 3/8 x 1" carriage bolts & 8 nylon lock nuts.
6. Attach ladder feet to bottom of ladder rails with 2 - 3/8 x 1" bolts and 2 - 3/8" nylon lock nuts.
7. Position ladder rails over infinity platform anchors and secure with 3/8 x 1" bolts & 3/8" nylon lock nuts.
8. Once platform position is confirmed the infinity platform anchors can be locked in place with the #12 x 1" TEK screw.

