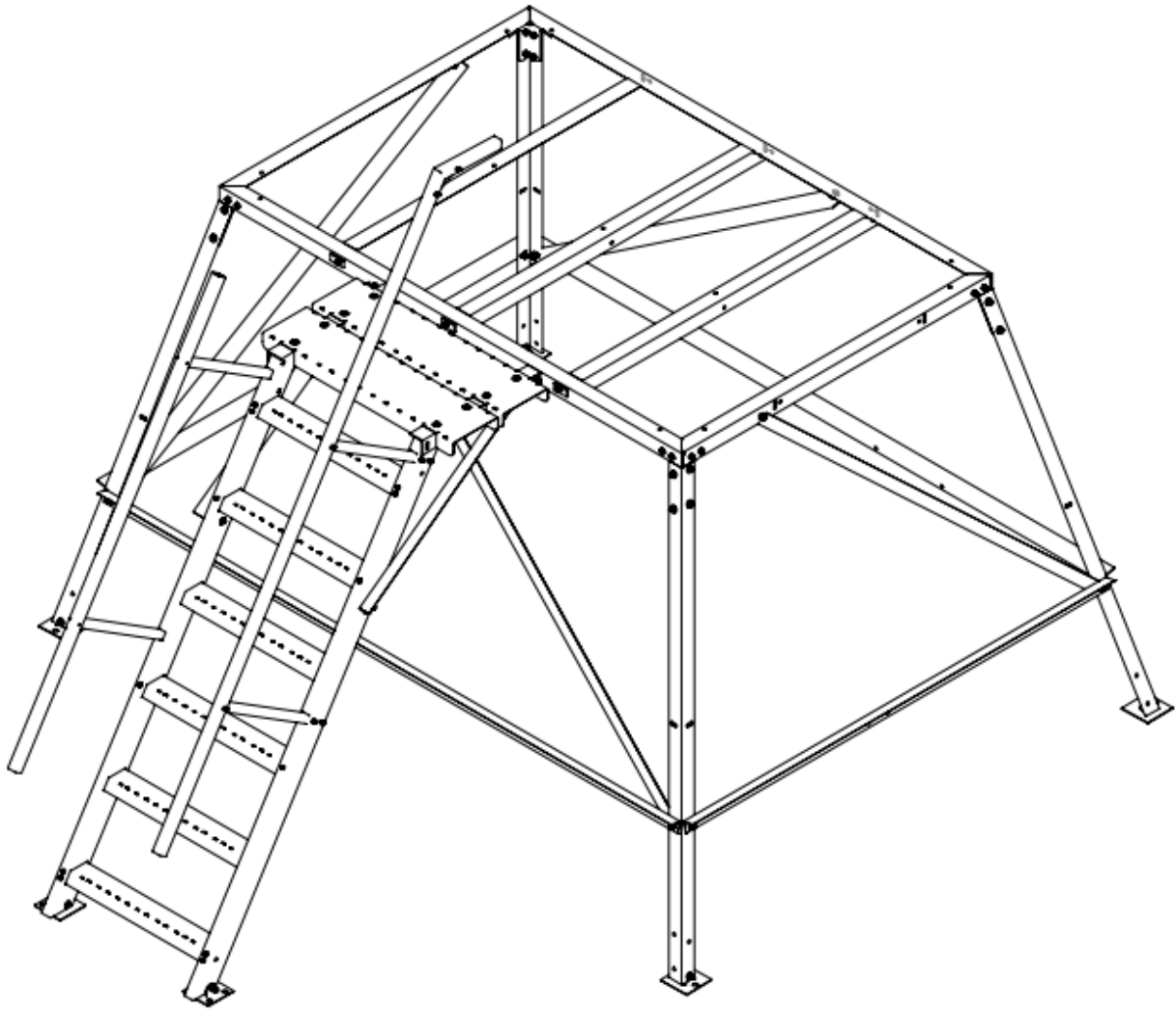


4 X 6 X 5 FOOT UNIVERSAL TOWER ASSEMBLY



1. Attach tower feet to tower legs with 3/8 x 1" bolts & 3/8" nylon lock nuts. (Fig 1)
2. Lift the base to 5 feet high.
3. Attach 4 legs to the leg anchors on the base with 4 - 3/8 x 1" bolts & 4 - 3/8" nylon lock nuts for each. Repeat this on all four legs. Do not tighten these at this time. (Fig 2)
4. Attach 71" brace to the base on the long side using 1 - 3/8" x 1" bolt & 1 - 3/8" nylon lock nut. Repeat on opposite side of base. Do not tighten these at this time. (Fig 3)
5. Attach 89 3/8" brace and the free end of 71" brace from step 4 to the leg using 1 - 3/8" x 1" bolt 1 - 3/8" nylon lock nut. Repeat on opposite side of base. Do not tighten these at this time. (Fig 4)
6. Attach the free end of 89 3/8" horizontal brace from step 5 to opposite leg using 1 - 3/8" x 1" bolt 1 - 3/8" nylon lock nut. Repeat on opposite side of base. Do not tighten these at this time. (Fig 5)
7. Attach 62" brace to the base on the narrow side using 1 - 3/8" x 1" bolt & 1 - 3/8" nylon lock nut using the same sequence as step 4. Repeat on opposite side of base. Do not tighten these at this time. (Fig 6)
8. Attach 65 3/4" brace and the free end of 62" brace from step 7 to the leg using the same sequence as step 5. Repeat on opposite side of base. Do not tighten these at this time. (Fig 6)
9. Attach the free end of 65 3/4" horizontal brace from step 8 to opposite leg. (Fig 6)
10. Set the tower down, adjust legs so that they all contact the ground, & tighten all the fasteners.
11. Place left and right infinity platform anchors on the rail of the base centered on the approximate door location of the blind. (Fig 7)
12. If installing a blind it can be lifted onto the tower and secured to the base now.

#### UNIVERSAL TOWER PLATFORM ATTACHMENT

13. Attach the platform over the anchors and secure with 2 - 3/8" x 1" bolt, 2 - 3/8" flat washer, & 2 - 3/8" nylon lock nuts. (Fig 8).

#### UNIVERSAL TOWER LADDER ATTACHMENT

14. Attach ladder feet to the bottom of the ladder by inserting 2 1/2" carriage bolts through the ladder bottom hole and the hole on the foot tab. Put 3/8" nylon lock nuts on bolts. Do not tighten at this time.
15. Insert 2 - 2 3/4" carriage bolts through the holes in the ladder rails under the second from the top step. Secure these bolts with non-locking 3/8" nuts.
16. Place ladder between angle iron protruding from the platform making sure to get the ladder tube end over the screws in the platform. Insert 2 3/4" carriage bolt through the ladder and the slotted hole on the platform. Put 3/8" nuts on the bolts. Do not tighten at this time.
17. Attach the 29" ladder braces to the holes in the bottom of the platform with 3/8" x 1" bolts, 3/8" flat washers, & 3/8" nylon lock nuts. Do not tighten at this time.
18. Attach opposite end of 29" brace to the ladder by putting slot over the bolts installed in step 15 above. Put a 3/8" flat washer and 3/8" nylon lock nut on these bolts. Do not tighten at this time. Level the platform by placing the ladder at the proper angle. Tighten all fasteners in steps 14-18 while holding the platform level.
19. Level the platform by placing the ladder at the proper angle. Tighten all fasteners in steps 14-18 while holding the platform level.

#### UNIVERSAL TOWER LADDER RAILING INSTALLATION

20. Install the two bottom straight railings into the square holes on the left side of the ladder & the curved rail into the holes on the right side. Secure these railings by installing 8 self-drilling screws through the holes in the side of the ladder into the pilot holes in the railing balusters.
21. Once platform position is confirmed the infinity platform anchors can be locked in place with the #12 x 1" TEK screw.

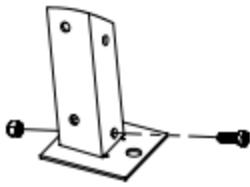


Fig 1

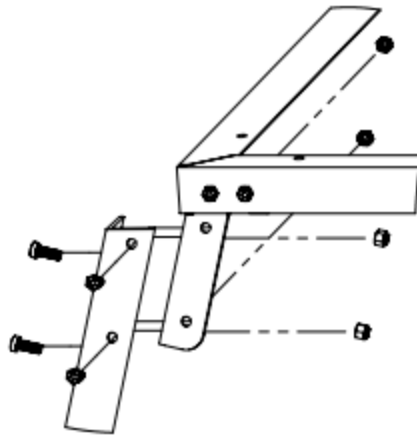


Fig 2

