

Part Number:
KXA00095 and KXA00096

Models:
BSVI Meteor With VIN starting ME3J3A5FAL3
BSVI Hunter With VIN starting ME3J3D5FEN1

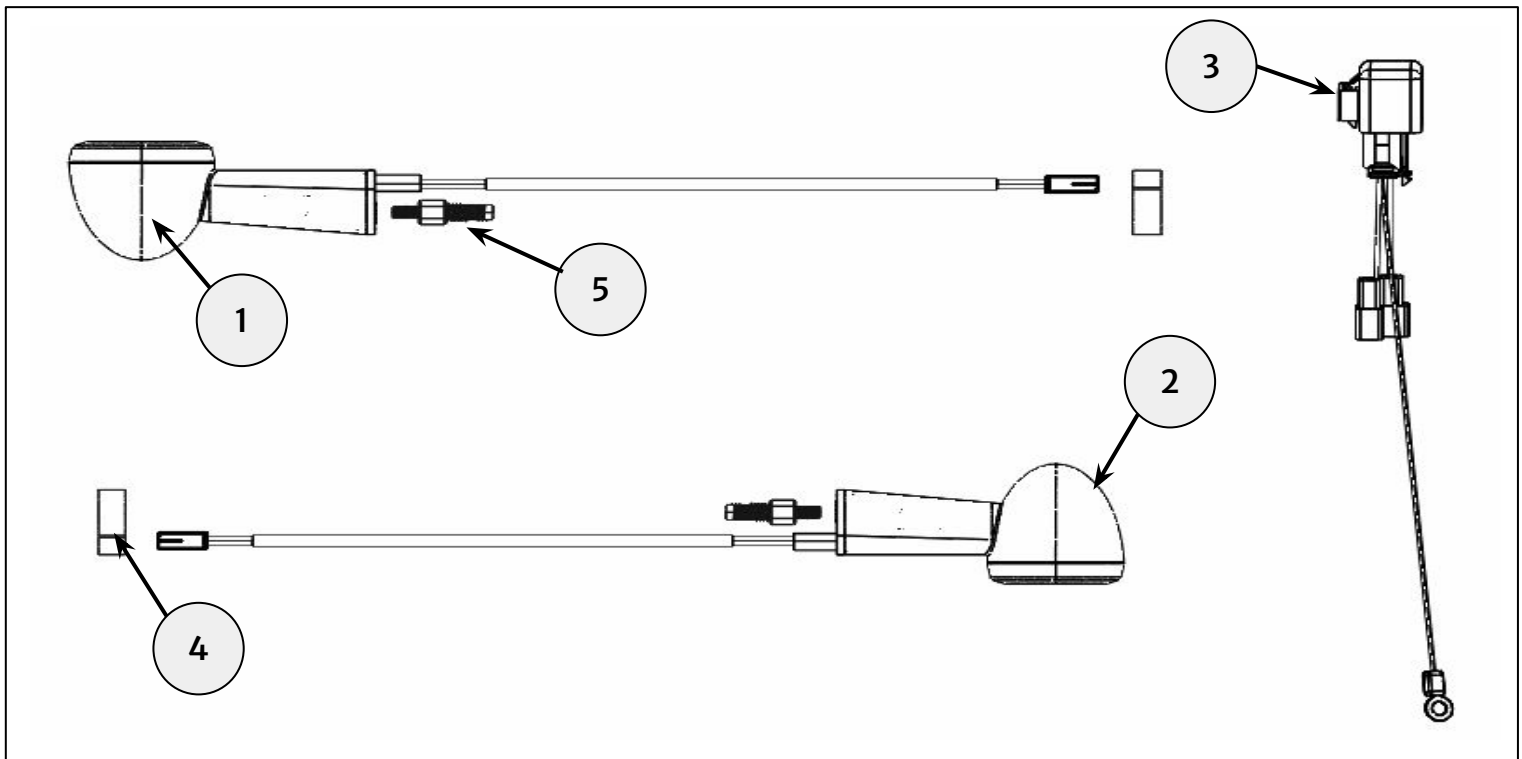
WARNING: Royal Enfield genuine accessories are designed to fit only the specific Royal Enfield motorcycle(s) that are specified above. They should not be fitted to any other type of motorcycle. Pay particular attention to the warnings and cautions contained in this instruction, failure to do so may result in an incorrect installation of the accessory which could result in an unsafe riding condition and possible accident. If in any doubt always seek help from your authorised Royal Enfield dealer.

WARNING: Before starting any accessory kit installation ensure the motorcycle is supported in a stable condition. Failure to support the motorcycle correctly could lead to motorcycle damage or personal injury.

WARNING: All fixings must be tightened to the torque values specified in this instruction. Failure to tighten fixings to the correct torque could result in an unsafe riding condition and possible accident

CAUTION: Care should be taken when fitting any accessory kit. Incorrect handling of kit components or the use of incorrect tools could lead to component or motorcycle damage.

NOTE: The content of this instruction is subject to change at any time without notice or liability. Royal Enfield reserves the right to revise the information presented at any time.



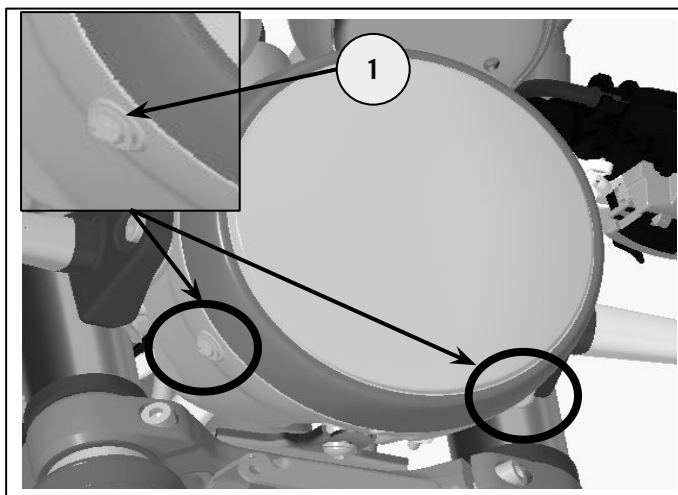
Item	Description	Qty
1	LED Indicator, green connector	2
2	LED Indicator, red connector	2
3	LED Flasher Unit	1
4	Isolator	4
5	Stud Fixing, M8	4

Note: Before starting fitment ensure ignition is OFF. Remove right side cover and disconnect Negative terminal from the battery, as described in the Owner's Manual.

1 Carefully remove the headlamp from headlamp assembly by removing the fixings (1) on both left and right side of headlamp assembly. Retain the fixings for reuse. Disconnect headlamp connector from vehicle connector.



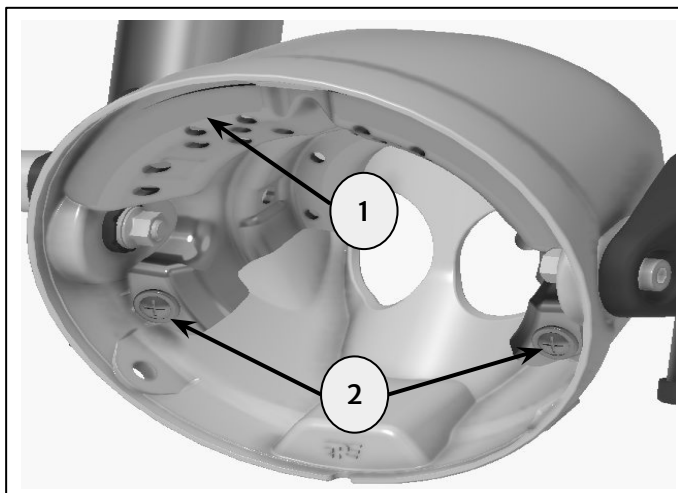
Phillips Screwdriver / PH1 phillips bit and ratchet.



2 Remove the cover (1) by loosening the fixings (2) inside the headlamp assembly. Disconnect right and left hand side Indicator connectors inside the headlamp assembly. Retain the cover and fixings for reuse.



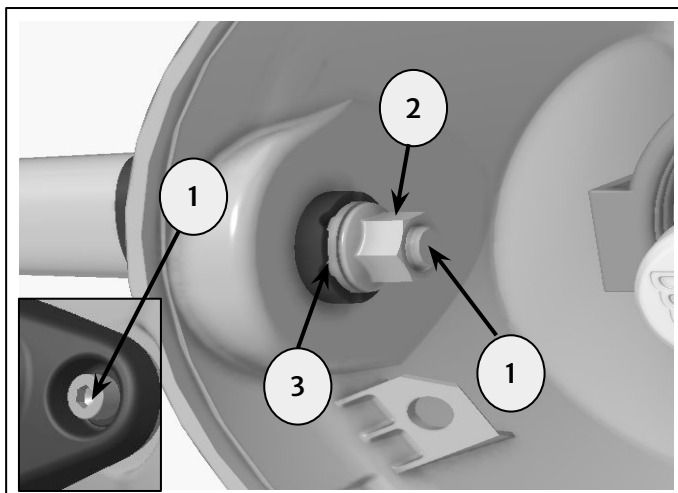
Phillips Screwdriver



3 Remove the fixing (1), nut (2) and washer (3) from right hand side of the headlamp mounting bracket, (hold the nut from inside the headlamp assembly). Retain the fixing, washer and nut for reuse. Repeat step for left hand side indicator.



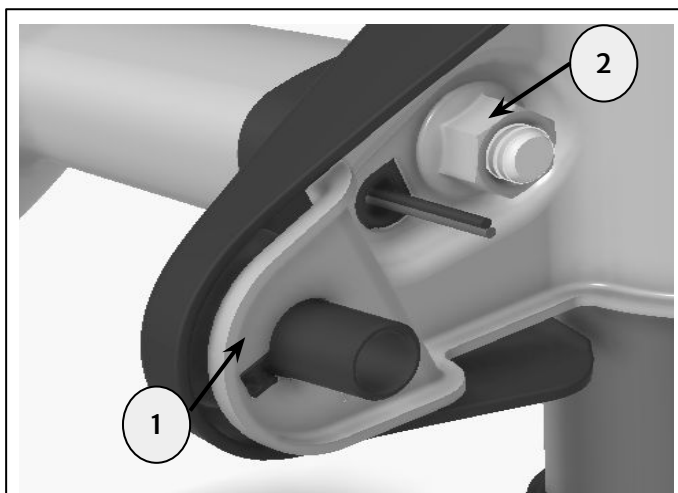
6mm Hexagonal bit and ratchet.
12mm spanner.



4 Rotate right hand bracket (1) outwards, remove indicator from mounting bracket by loosening the nut (2). Repeat the step for left hand side. Retain the nuts for reuse.



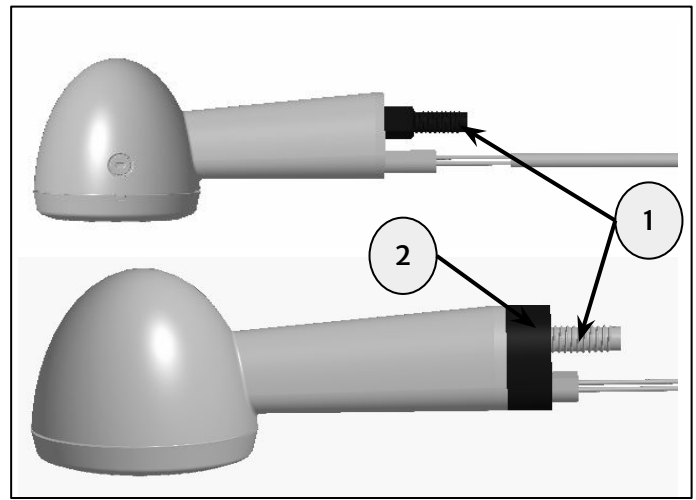
12mm socket and ratchet.



5 Insert the M8 stud fixing (1) from the kit to the accessory indicator and tighten to **6Nm**. Insert an isolator (2) from the kit over the fixing as shown. Repeat step for the remaining indicators.



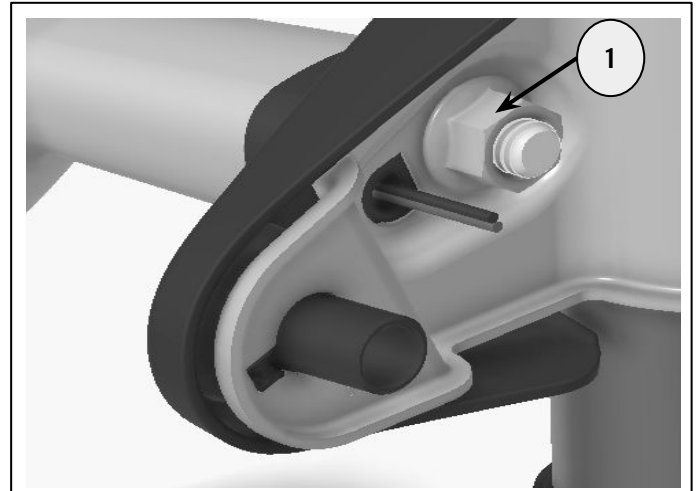
10mm socket and torque wrench



6 Assemble indicator with red colour connector to the right hand side bracket, tighten to **6Nm** using the nut (1) retained in step 4. Use a 24mm spanner just to hold the indicator and isolator (Do not apply pressure on spanner). Repeat step for left hand side using indicator with green colour connector.



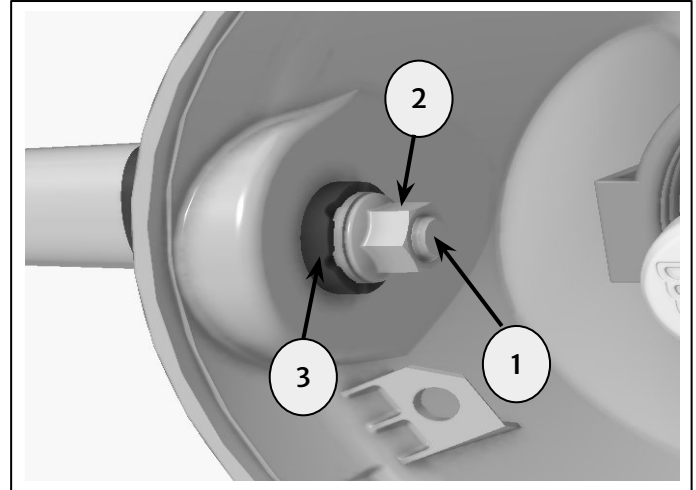
12mm socket and torque wrench.
24mm spanner.



7 Refit headlamp assembly with bracket, tighten to **10Nm** using fixings (1), nuts (2) and washers (3) retained in step 3 (hold the nut (2) from inside of the headlamp assembly). Do the process on both right and left hand side.



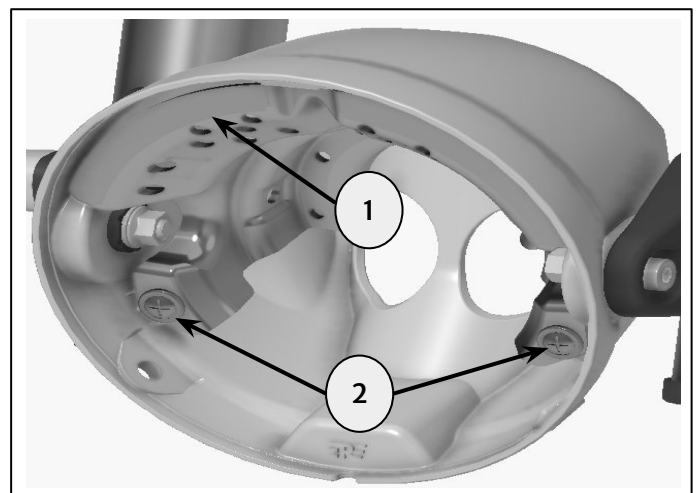
6mm hexagonal bit and torque wrench,
12mm spanner.



8 Insert indicator connectors to vehicle connectors (red to red and green to green) inside the headlamp assembly. Refit the cover (1) inside the headlamp assembly, using fixings (2) retained in step 2.



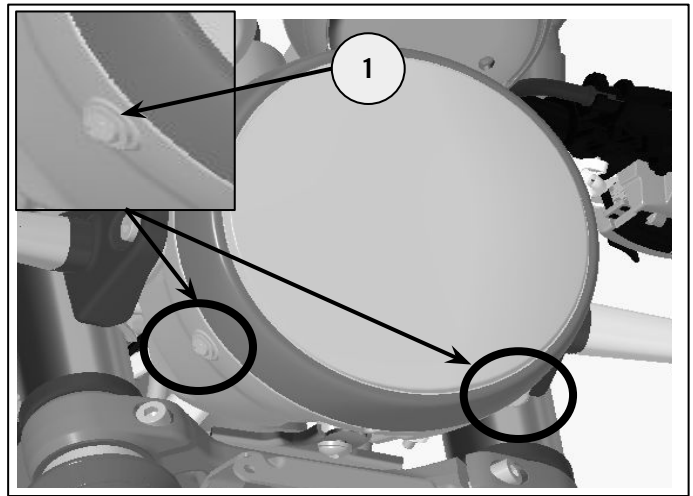
Phillips Screwdriver



9 Refit the headlamp (1) to headlamp assembly using fixings (2) retained in step 2, tighten to **5Nm**.



PH1 Phillips bit and torque wrench.

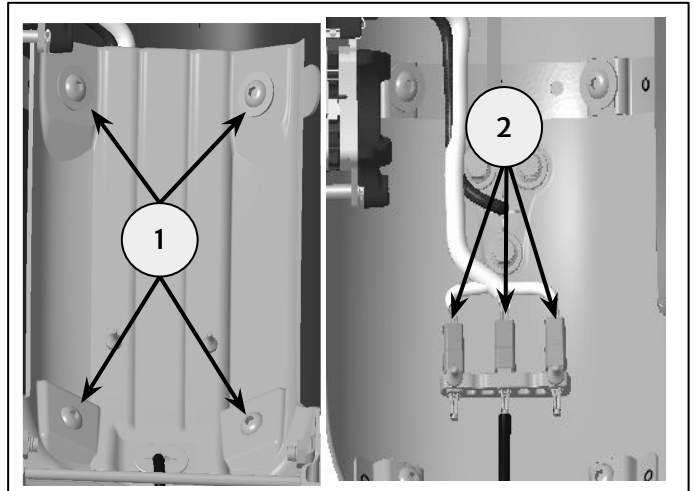


BSVI Meteor:

10 Moving to the rear mudguard assembly, remove the fixings and washer (1) as shown and retain for reuse. Disconnect the three connectors (2) from the vehicle harness and remove the mud flap from the rear mudguard.



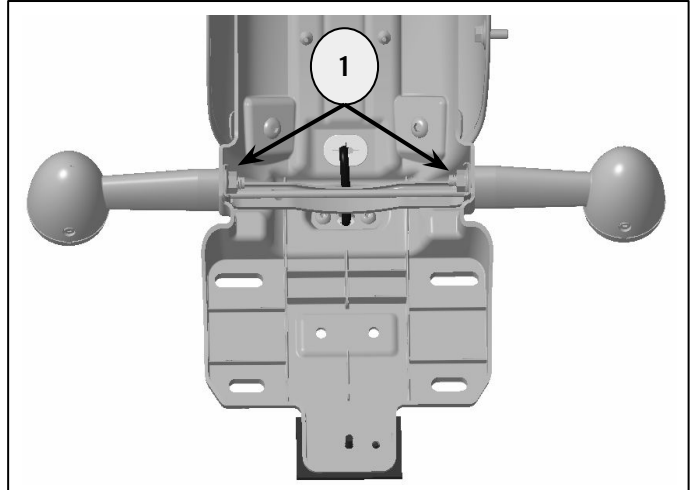
5mm hexagonal bit and ratchet.



11 Remove both left and right side existing indicators from mud flap by loosening the nuts (1), retain nuts for reuse.



12mm socket and torque ratchet.



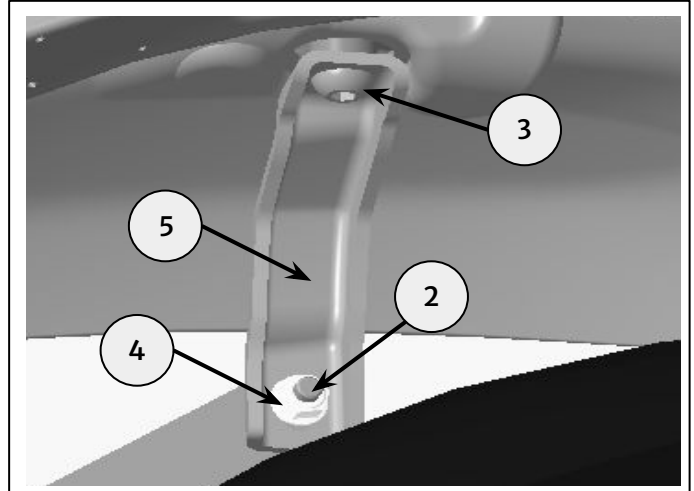
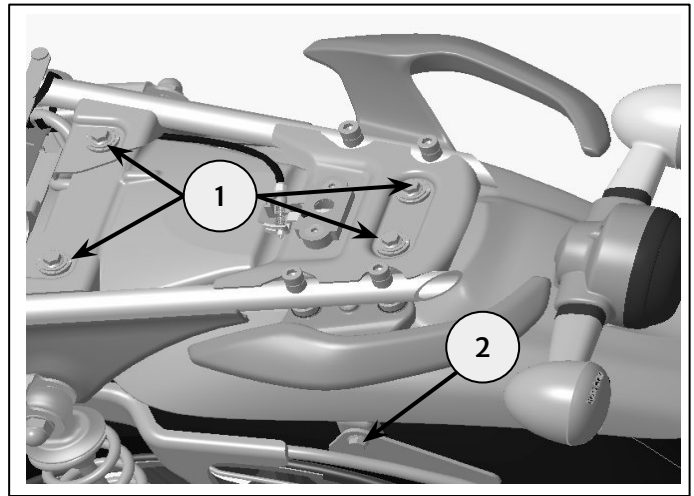
BSVI Hunter:

12 Pull the seat lock cable to unlock the latch, remove seat from vehicle. Dismantle rear mudguard assembly from vehicle by loosening the fixings (1), (2), (3), and nut (4). Retain the fasteners and bracket (5) reuse. Disconnect mudguard assembly harness connector from the vehicle main harness. Remove the mudguard assembly.

Note : Item 2,3,4&5 applicable only for India.



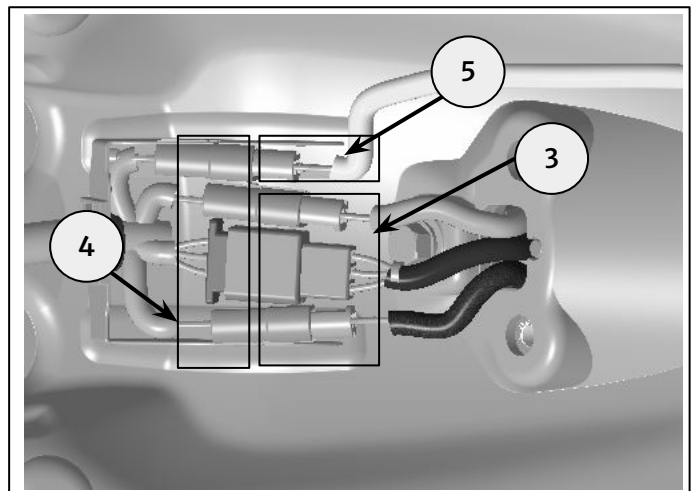
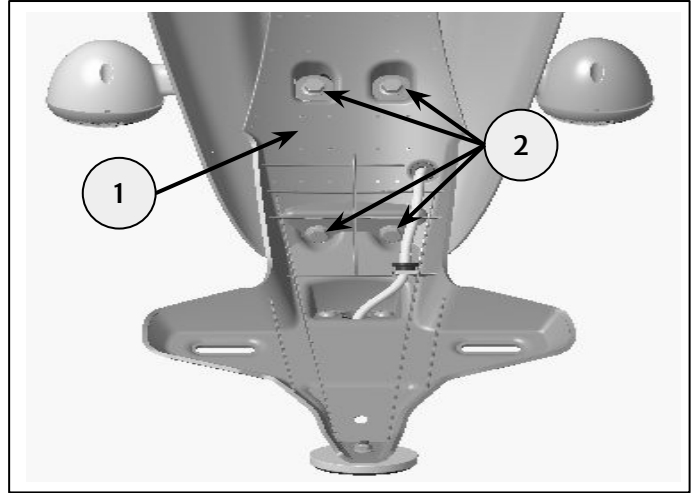
10mm socket and ratchet.
10mm spanner.
5mm hexagonal bit and ratchet.



13 Remove mud flap (1) from rear mudguard assembly by loosening the fixings (2) and disconnecting tail lamp assembly harness connectors (3), number plate harness (5) with rear body harness (4). Retain fixings (2) for reuse.



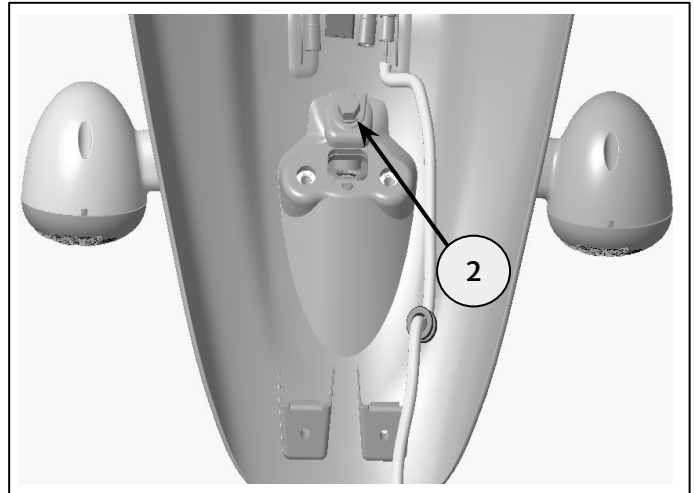
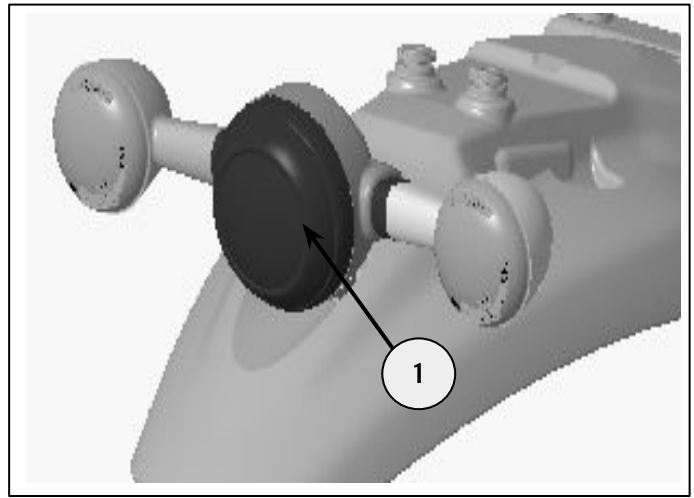
10mm socket and ratchet.



14 Remove tail lamp assembly (1) by loosening fixing (2) from the underside of the mudguard and retain for reuse.



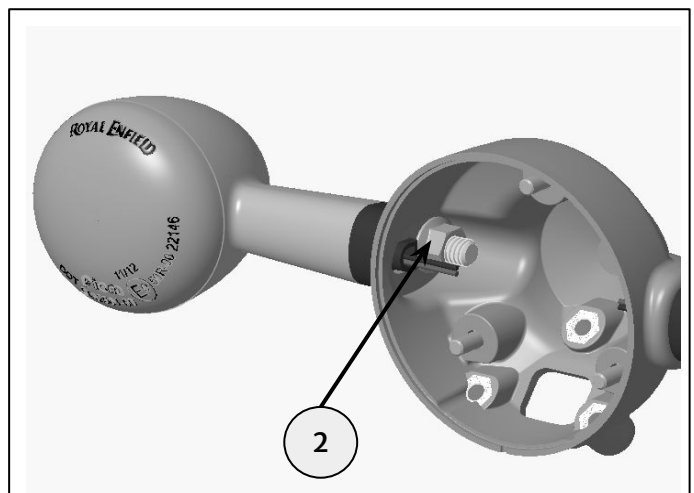
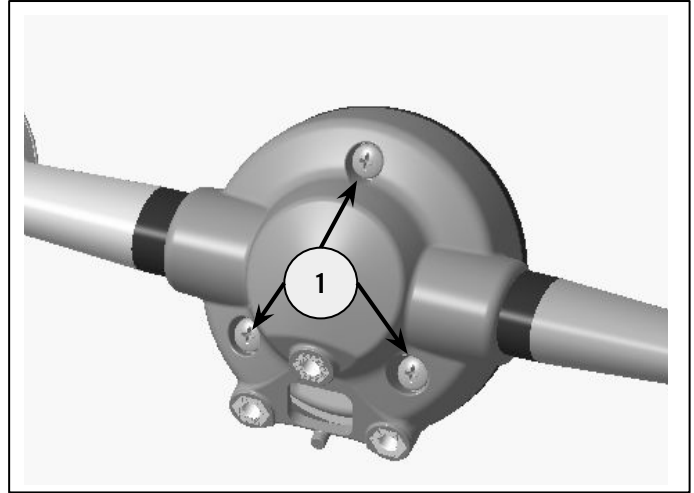
10mm socket and ratchet



15 Remove fixings(1) to open tail lamp housing, then remove existing indicators on both left and right hand side by loosening nut (2), retain for reuse.



Phillips Screwdriver / PH1 phillips bit and ratchet.



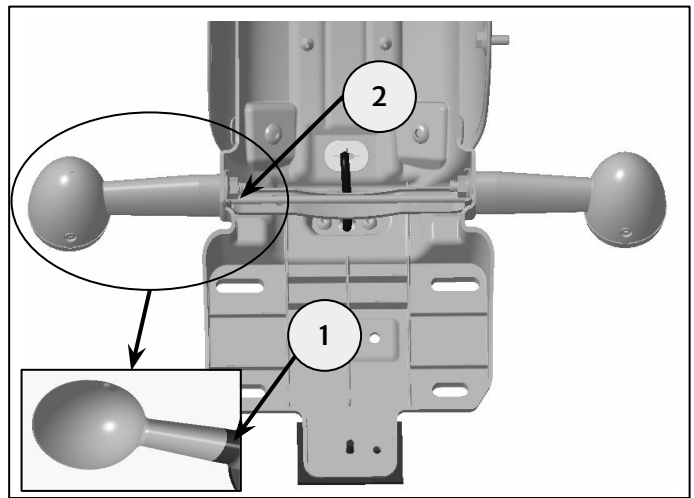
BSVI Meteor:

16 Insert an isolator (1) as shown, assemble accessory indicator with green colour connector to right side of the mud flap. Reuse the retained nut (2) from step 15, tighten to 6Nm.

Note: Use 24mm spanner to hold the indicator and isolator to avoid indicator rotating while tightening.

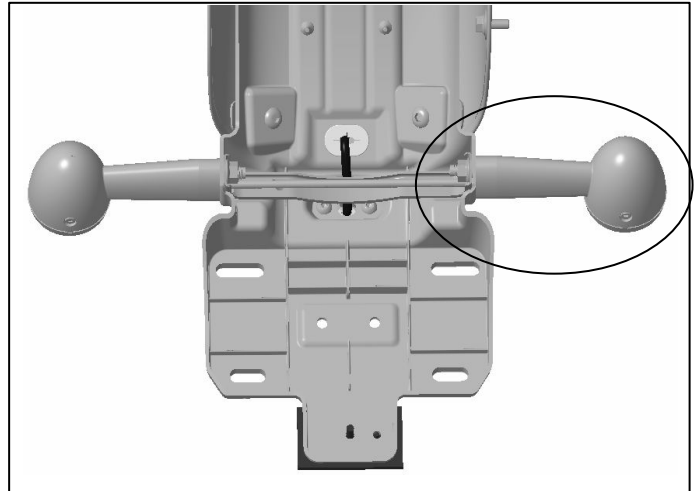


12mm socket and torque wrench.
24mm spanner.



17 Repeat step 16 for left side of the tail lamp housing using accessory indicator with red colour connector.

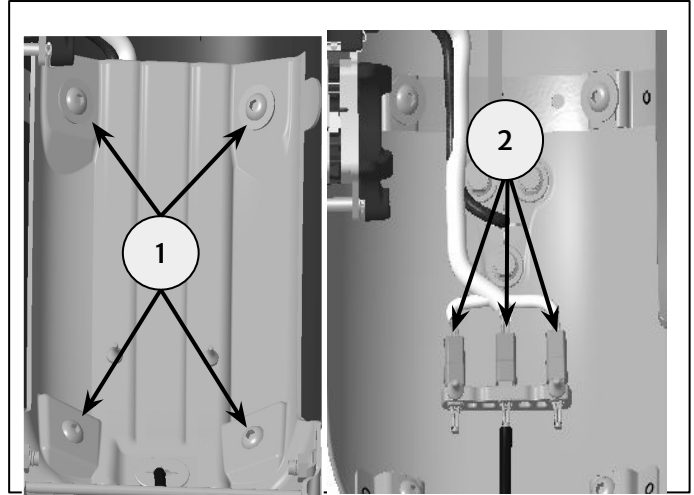
Note: Ensure both right & left hand side indicators looks straight. Adjust it if required.



18 Connect the three connectors (2) with vehicle harness (green to green and red to red). Fit the mudflap to the mudguard using the fixings and washers (1) retained from step 10 and tighten it to 10Nm. (Use washer 2 Nos at top side only).



5mm hexagonal bit and torque wrench.



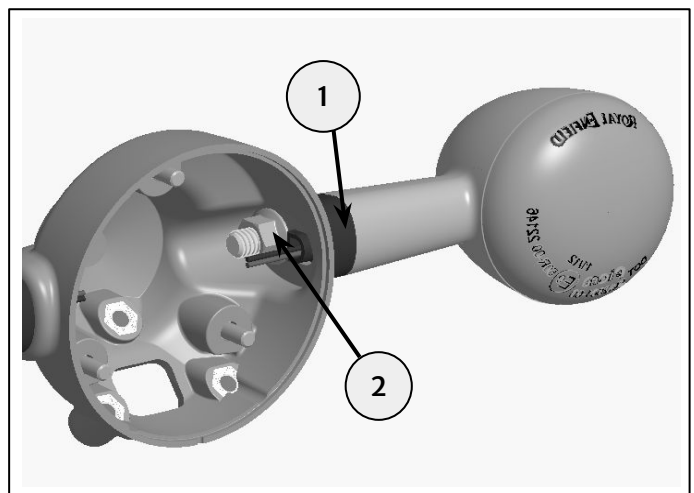
BSVI Hunter:

19 Insert isolator (1) as shown and assemble accessory indicator with green colour connector to right side of the tail lamp housing. Reuse the retained nut(2) from step 15, tighten to 6Nm.

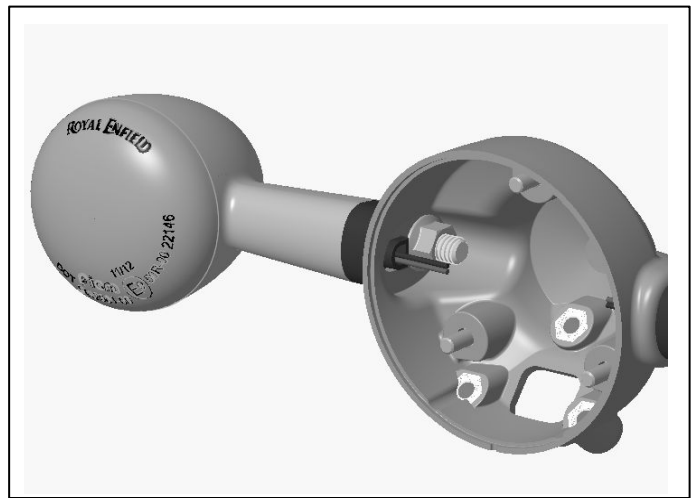
Note: Use 24mm spanner to hold the indicator and isolator as shown, to avoid indicator rotating while tightening.



12mm socket and torque wrench.
24mm spanner.



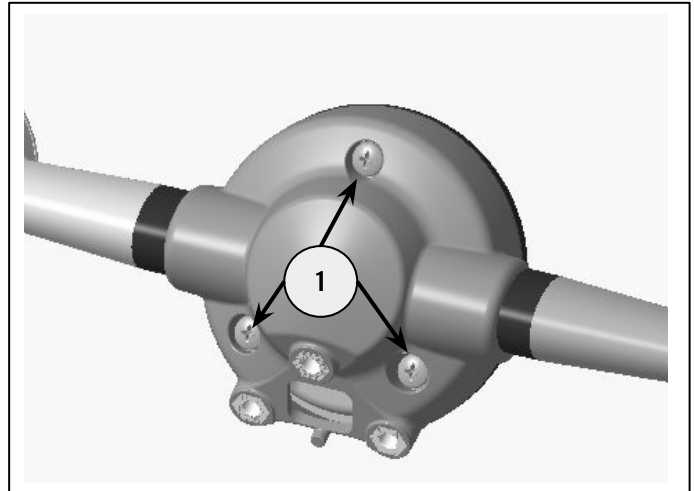
20 Repeat step 19 on left side of the tail lamp housing using accessory indicator with red colour connector.



21 Refit the tail lamp to tail lamp housing using retained fixings(1) from step 15. Tighten to **3Nm**.



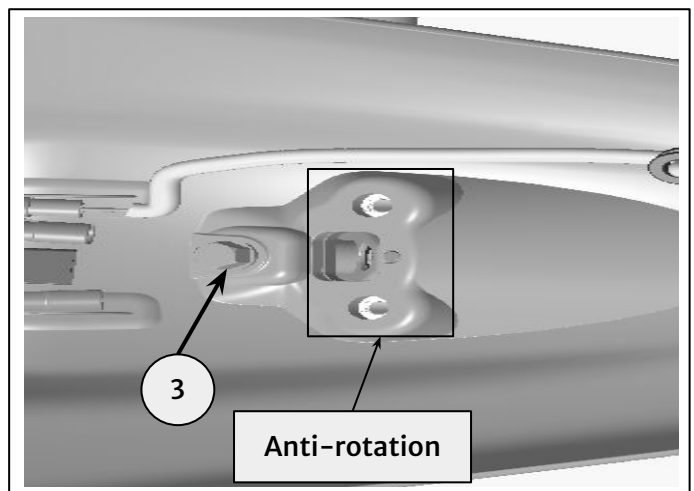
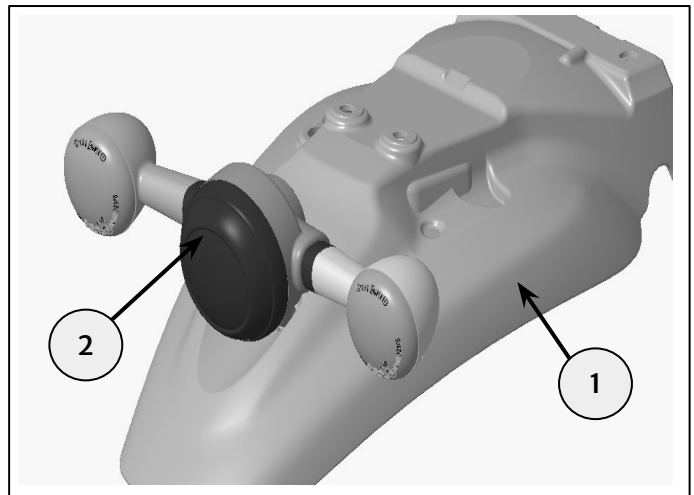
PH1 Phillips bit and torque wrench.



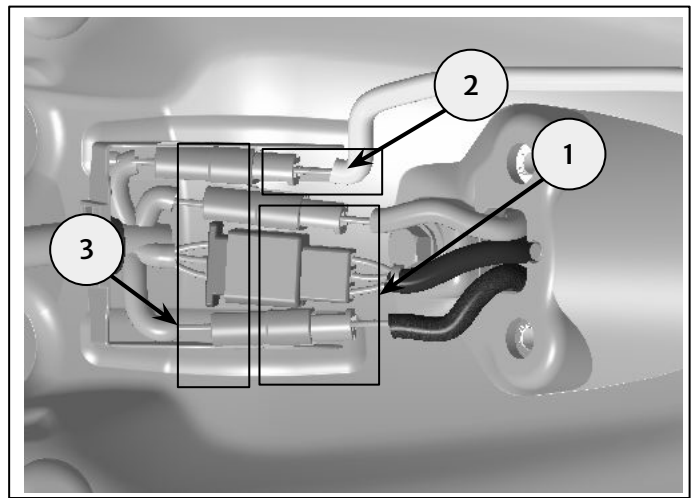
22 Mount tail lamp housing(2) to mudguard using the retained fixing(3) from step 14, Route the connector through center hole available in the mudguard (1). Ensure anti-rotation feature on tail lamp assembly aligned with mudguard opening as shown. Tighten the fixing to **8Nm**.



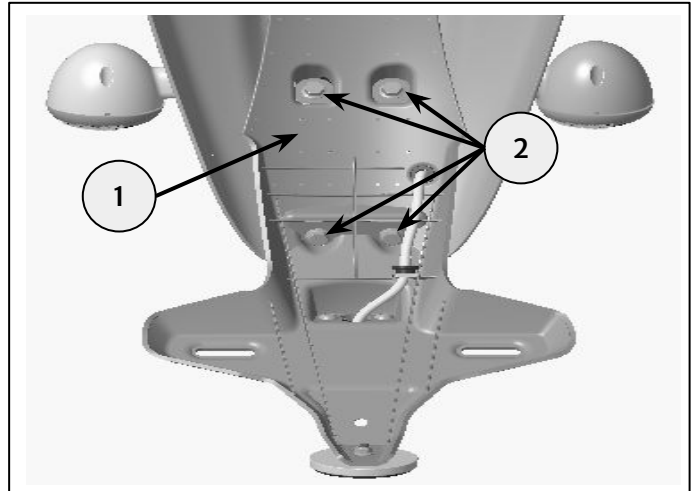
10mm socket and torque wrench.




23 Connect tail lamp assembly harness connectors (1), number plate harness (2) with rear body harness (2) by matching the connector colours.

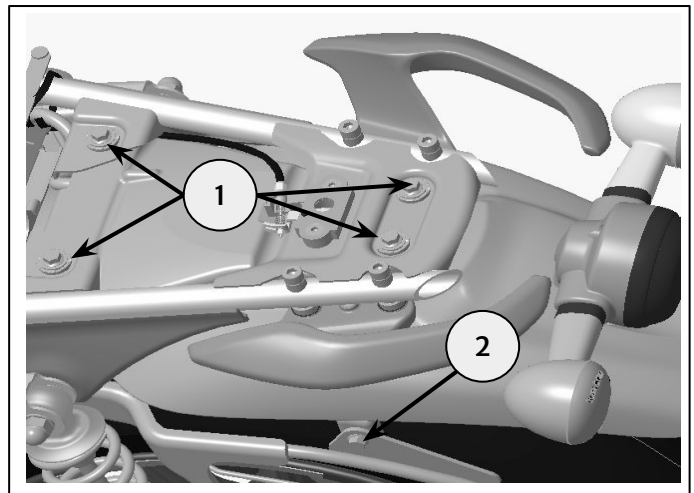


24 Fit the mudflap to the mudguard (1) using the fixings (2) retained from step 13 and tighten to **8Nm**.




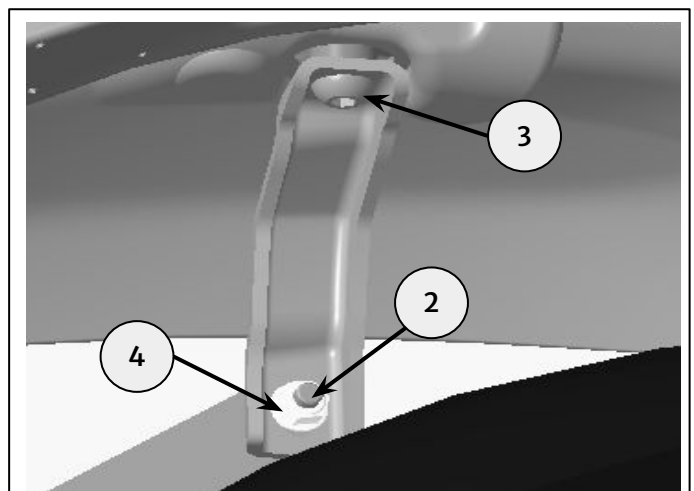
 10mm socket and torque wrench.

25 Reassemble rear mudguard assembly to vehicle using the retained fixings(1), (2), and (3) and nut (4) retained from step 12. Tighten to **10Nm**.



Note : Item 2,3,& 4 applicable only for India.

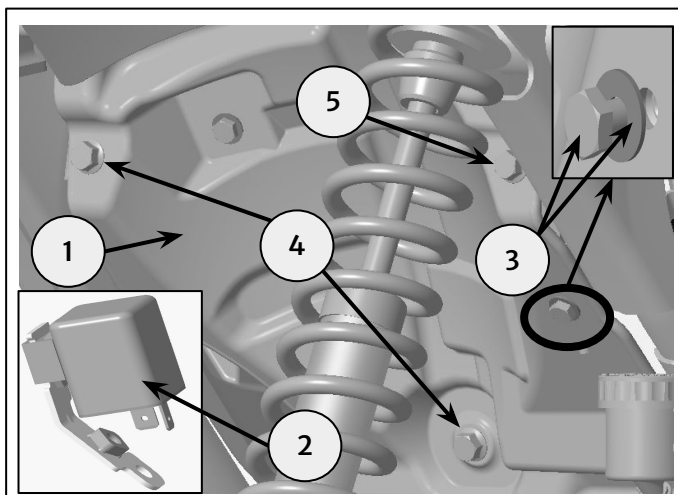
 10mm socket and torque wrench.
5mm hexagonal bit and torque wrench.



26 Remove and retain fixing and washer set (3) to loosen flasher mounting bracket assembly unit (2). Remove fixings (4) and fixing (5) to loosen Piece mudguard (1), allow it to hang as it is.

Disconnect the flasher unit and take out the mounting bracket assembly (2).

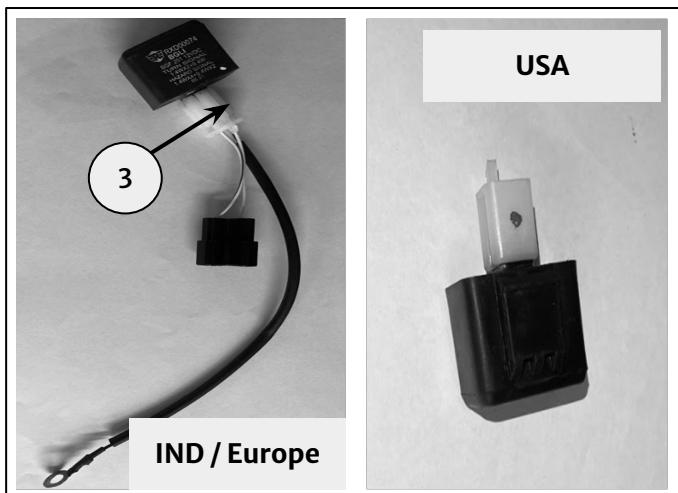
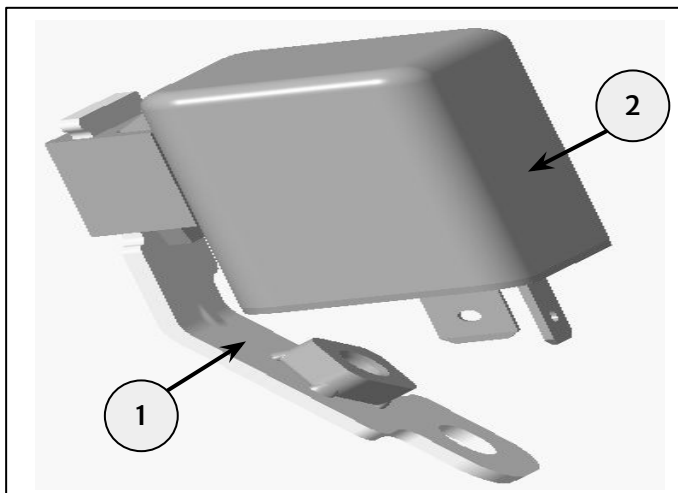
	<p>10mm socket and ratchet. 12mm socket and ratchet.</p>
--	--



27 Remove the existing flasher(2) from the mounting bracket (1).

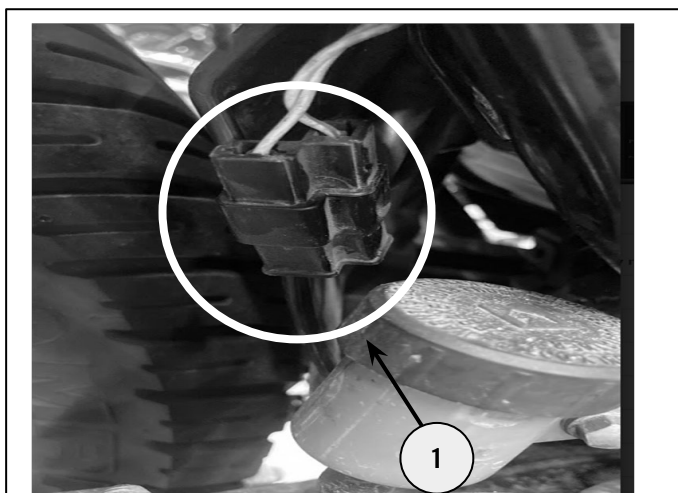
IND and Europe : Flasher unit to be used with extension harness(3) having 2 pin connector and Negative terminal.

US : Remove the extension harness (3) and directly use the 4 pin flasher.



28 IND and Europe: Connect 2 pin connector from flasher unit with vehicle harness (1) as shown.

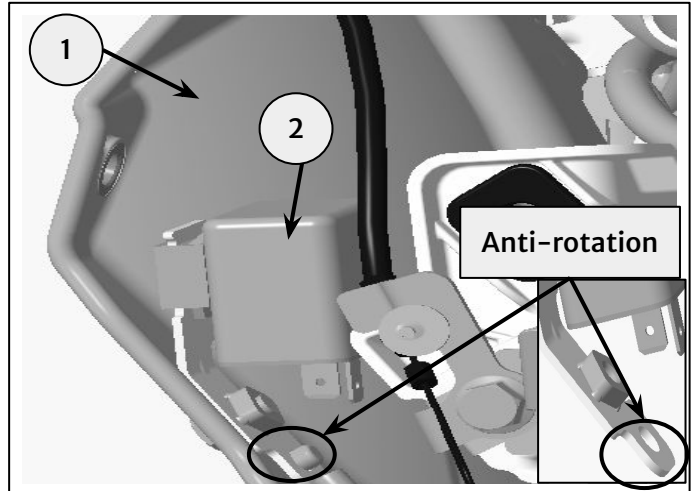
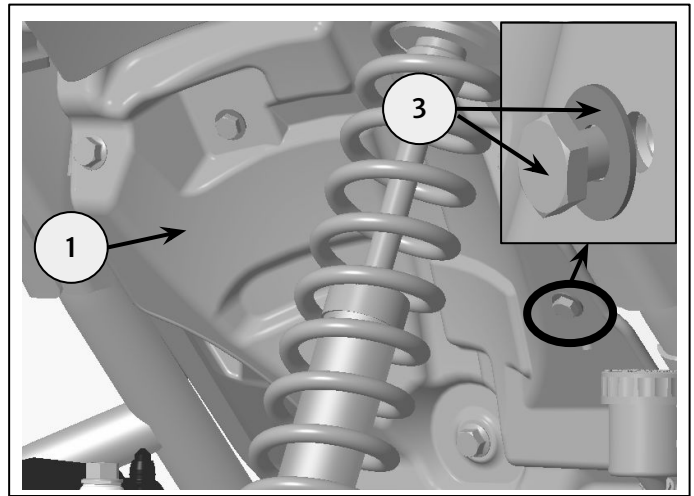
US: Directly connect flasher unit with vehicle harness (1) as shown.



29 Position Anti-rotation hole and align the mounting hole of flasher mounting bracket assembly (2) unit with Piece mudguard (1) as shown. Reuse fixing and washer(3) from step 26. Tighten to **6Nm**.

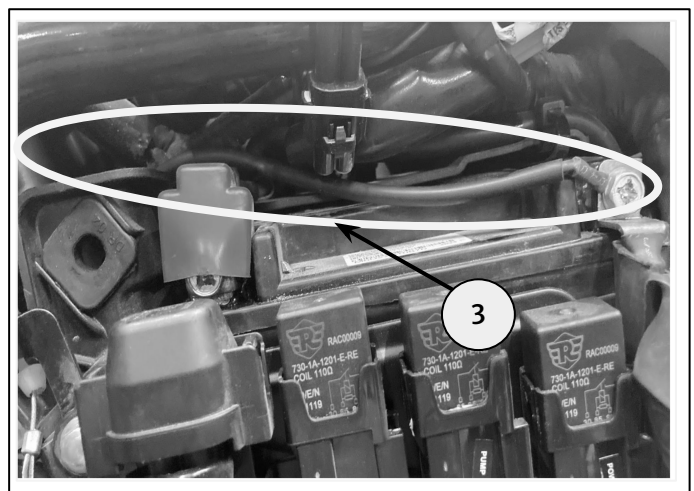
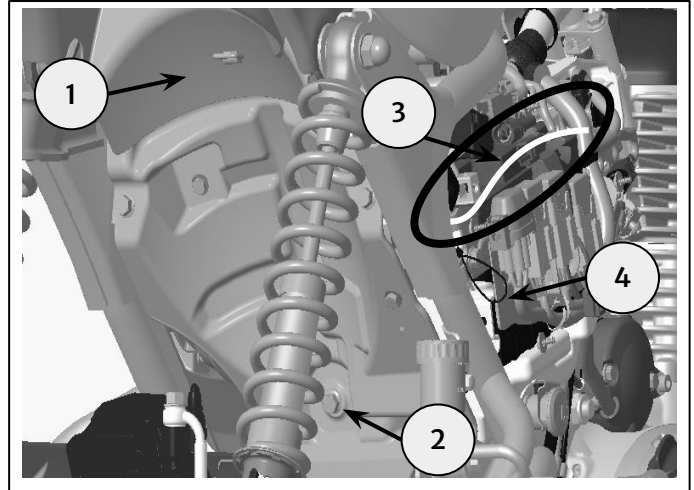


10mm socket and torque wrench.



30 IND and Europe: Route flasher negative terminal cable (3) beneath seat unlock cable (3) and through over the battery as shown. Reuse fixing M6 x 16 (2) retained from step 26 to mount Piece mudguard (1) as shown. Tighten to **5 Nm**.

US : Reuse fixing M6 x 16 (2) retained from step 26 to mount Piece mudguard (1) as shown. Tighten to **5 Nm**.

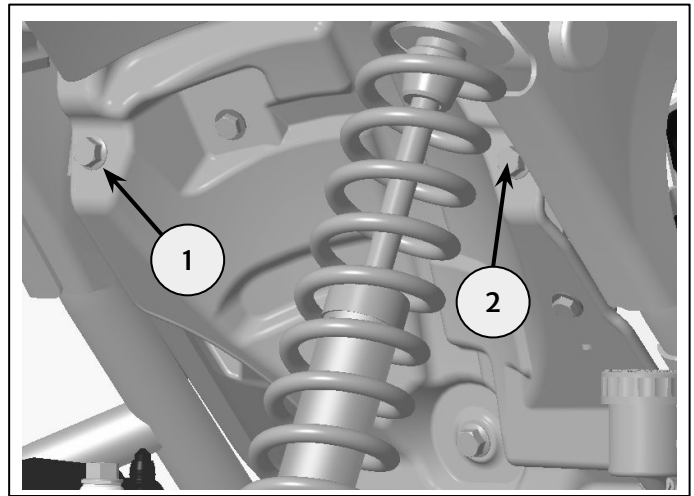


31 Reuse fixing M6 x 16 (1) and fixing M6 x 20 (2) retained from step 26 to mount Piece mudguard (1) as shown. Tighten to 10 Nm.

Note : Ensure fixing M6 x 20 (2) is used in shown position .



10mm socket and torque wrench.

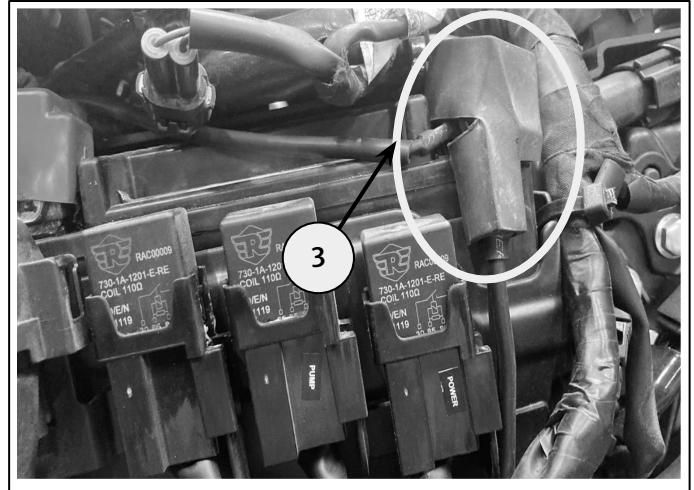
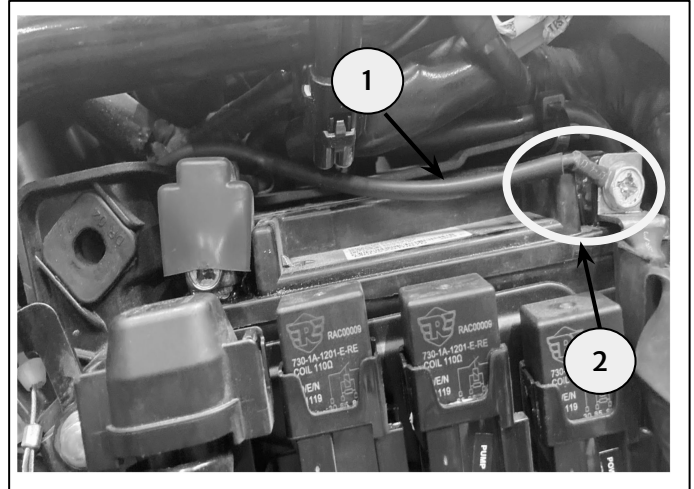


32 IND and Europe: Connect flasher's extension Negative terminal cable with battery as shown. Ensure proper cable routing as shown.

Place back the rubber (3) to cover the negative terminal as shown.



Phillips screwdriver / 10mm socket and ratchet.

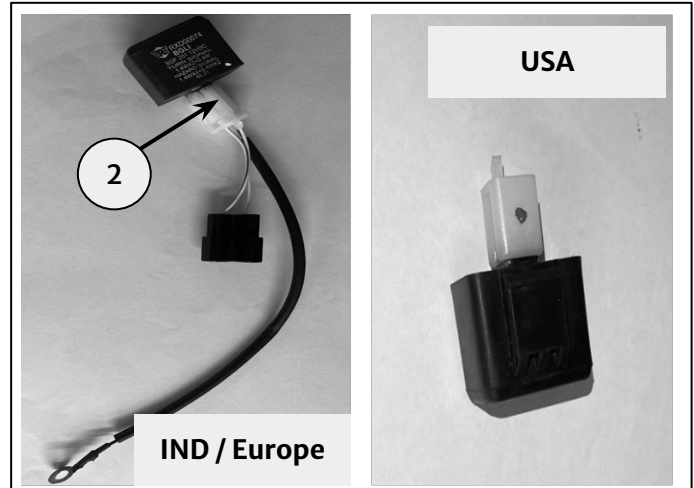
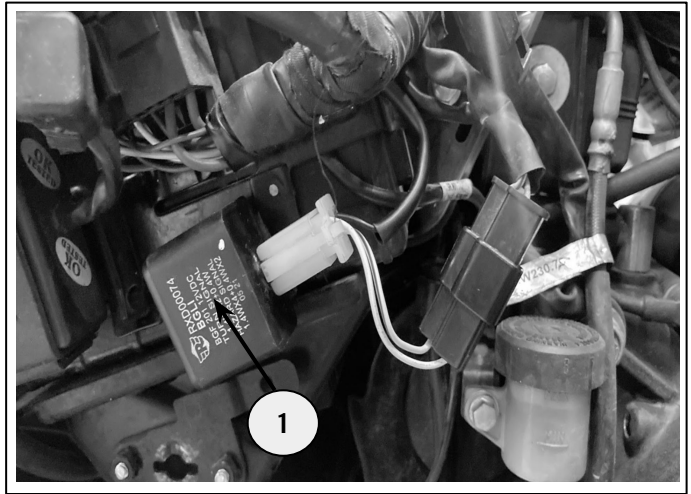


BSVI Meteor:

33 Remove the existing flasher(1) from the mounting bracket . Insert New flasher unit from kit.

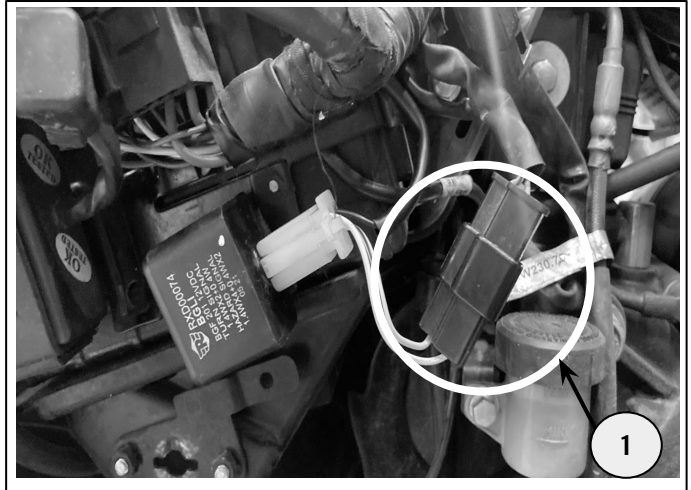
Note : IND and Europe : Flasher unit to be used with extension harness(2) having 2 pin connector and Negative terminal.

US : Remove the extension harness (2) and directly use the 4 pin flasher.




34 IND and Europe: Connect 2 pin connector from flasher unit with vehicle harness (1) as shown.

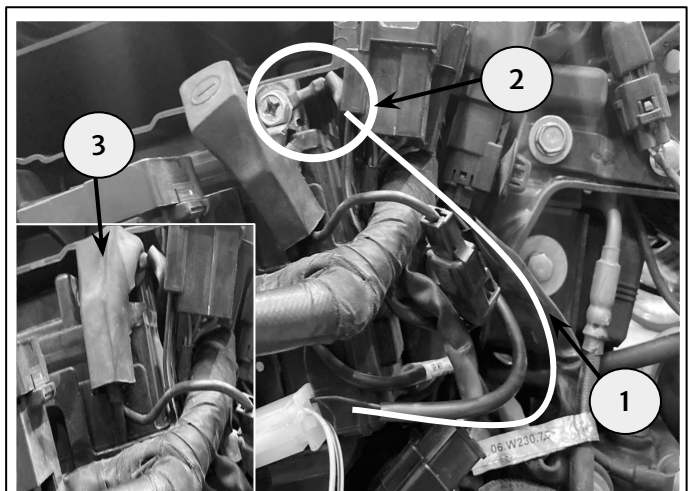
US: Directly connect flasher unit with vehicle harness (1) as shown.



35 IND and Europe: Connect flasher's extension Negative terminal cable with battery as shown. Ensure proper cable routing as shown.

Place back the rubber (3) to cover the negative terminal as shown.

 Phillips screwdriver / 10mm socket and ratchet.



36 Reconnect negative terminal to battery. Insert and lock right side cover, as described in the Owner's Manual.

Note: Check the turn indicator function by operating the indicator switch. confirm the right hand side indicator operates with right hand switch selected and repeat the check for the Left hand side indicator with left hand switch selected. Confirm indicator hazard function by operating the hazard switch.



WARNING: After fitting any genuine Royal Enfield accessory always ride the motorcycle with caution and allow time to become familiar with any change in the motorcycle handling characteristics. Failure to become familiar with any change in the motorcycle handling characteristics may cause the motorcycle to become unstable and result in an accident.