

- ENTRADAS / INPUTS
- SALIDAS / OUTPUTS
- AHORRADOR DE ENERGIA /

**Wireless Door Sensor** (10m max. distance to the energy saver)

Lights wired to Relay 1, activates when opening the door

Air Condition wired to Relay 2

Lights wired to Relay 1, activates when opening the door

**Wireless Movement Sensor** (Coverage 6,9m x 5,8m at 2,5 m mounting height) (10m Max. distance to the energy saver)

**Wireless Window Sensor (Optional)** (10m Max. distance to the energy saver)

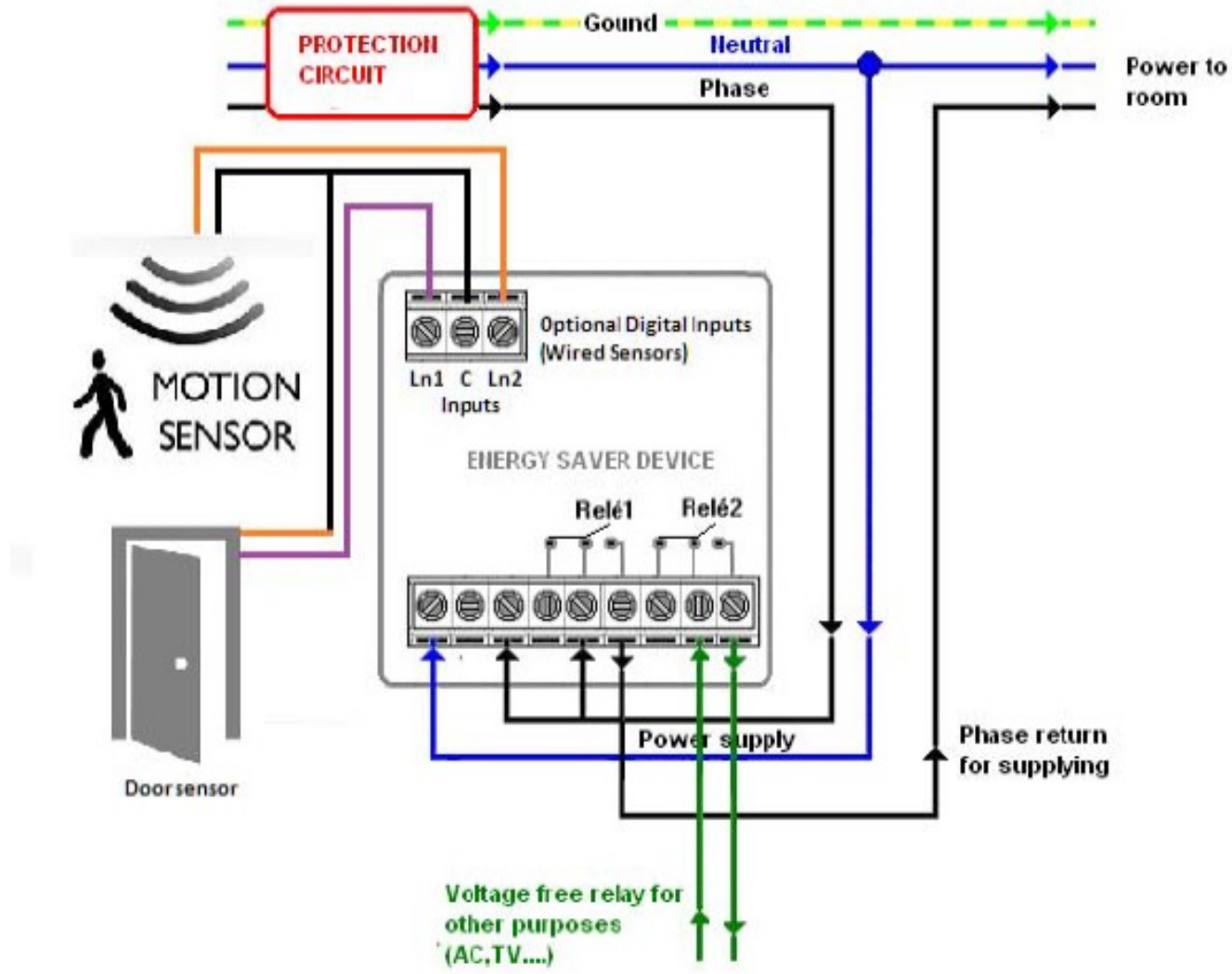
**Non-Card Energy Saver**  
Hide into wall / wireless communication with door/window sensor and movement sensor

**Wireless Movement Sensor** on the wall or Top (Ceiling) (10m Max. distance to the energy saver) (Coverage 6,9m x 5,8m at 2,5 m mounting height)



**ENKOA**  
TURKISH REPUPLIC OF NORTHERN CYPRUS  
PARTNER  
VENTA TRADING LTD.

# ENKOA VARLIK SENSÖRÜ SİSTEMİ



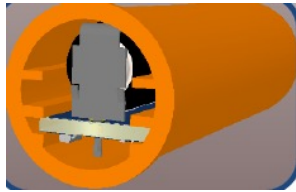
# ENKOA VARLIK SENSÖRÜ SİSTEMİ



Non-Card Energy Saver



Motion Sensor Ceiling recess-mounted  
Motion Sensor Surface Ceiling recess-mounted








Recessed Door Sensor  
Surface Mounted Door/Window sensor



Multibox Wall Mounted Energy Sensor

# ENKOA VARLIK SENSÖRÜ SİSTEMİ

SENSOR	IMAGE	POWER SUPPLY	MOUNTING	OTHERS
Surface door-window sensor		3V lithium battery CR2032 (2 years)	surface	4 modes: - Door mode - Window mode - Twin door mode - Minibar mode
Recessed door sensor		1 AAA battery (3 years)	Recessed in the door (non metallic)	Dimensions 5,25 cm length x 2 cm diameter
Ceiling Surface mounted motion sensor		3 AAA batteries (3 years)	-Surface ceiling - At 2'5-4m height	- Detection area= height - Temperature sensor
Ceiling Recessed motion sensor		1 battery CR123A 3V (5 years)	Recessed in the ceiling (until 12m height)	- Detection area 6,9 x 5,8 m at 2,5m height. -Temperature and humidity sensor.
Multibox wireless motion sensor		1 battery CR123A 3V (3 years)	Recessed/ surface on the wall	-Till 5m horizontal detection. -Temperature and humidity sensor.
Multibox offline motion sensor		110/230V power supplied	Recessed/ surface on the wall	-idem to previous one. -1 free potential output relay.

**ENKOA**

TURKISH REPUBLIC OF NORTHERN CYPRUS  
PARTNER  
VENTA TRADING LTD.



# ENKOA VARLIK SENSÖRÜ SİSTEMİ

## Room Energy Saver Scenario on Hotel Projects

- Guest enters the room with Digital key (Mobile Device IOS/Android)
- Wireless Door Sensor sends signal to Non-Card Energy saver and activates relay 1 or relay 2 (Lights and Air condition)
- Then Movement sensor starts searching for movement in the room (If there is no movement in the room, after 5 minutes electricity cuts off. (can be adjusted upon request 10,15,20,25,30 min,etc.)
- When the guest exits from the room, the door sensor sends signal to Non-Card energy saver, and Non-Card energy saver sends signal to movement sensor to look for movement in the room.
- If needed more movement sensors can be added to Non-Card Energy Saver by Synchronization RF Card. For example: Bathroom, Suite room, Window sensor.





**iSWITCH**

# SISTEMAS DE GESTIÓN DE ENERGÍA ENERGY MANA- GEMENT SYSTEMS

## Recessed door-window sensor

Enkoa's sensors are wireless and along with ENKOA wireless energy savers **enable saving up to 60% in the electricity bill** at the installed buidings.

Our products are designed to meet the needs of the following markets:  
hotels/aparthotel, retirement homes, student housing, universi-  
ties, office or government buildings...

WE MAKE  
SENSE

[www.ventaaksesuar.com](http://www.ventaaksesuar.com)

**ENKOA**  
TURKISH REPUBLIC OF NORTHERN CYPRUS  
PARTNER  
VENTA TRADING LTD.





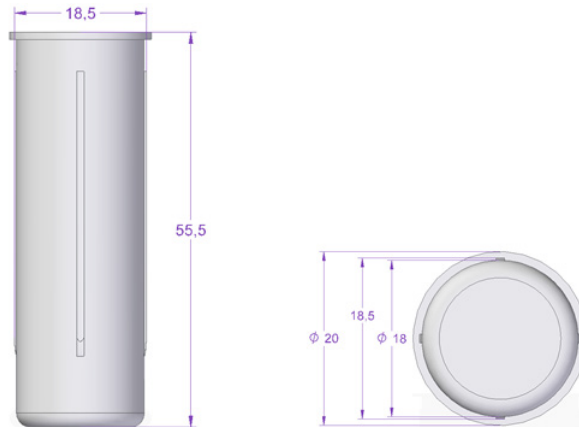
# RECESSED DOOR- WINDOW SENSOR



## Characteristics

DESCRIPTION	Recessed door- window sensor
REFERENCE	SPExlXS
POWER	Premium 1,5V LR 03 alkaline battery
BATTERY LIFE	4 years (average consumption 14uA, max 20mA) with 20 opening/ a day.
COMMUNICATIONS	2,4GHz, IEEE 802.15.4 wireless
COMMUNICATIONS COVERAGE	10 m (max distance to the energy saver)
INTERFACE	Red led.
OPERATING TEMPERATURE	-10° to 50°
TECHNOLOGY	Magneto-resistive sensor+ magnet
SENSOR-MAGNET DISTANCE	2 cm max separation. A slight separation is highly recommended.
MATERIAL	"Latamid 6H2 G/30-VOCT1 (according to norm UL 94 V-0)
DIMENSIONS/ WEIGHT	Sensor (φ 20 mm x 55,5mm) and magnet (φ 25 mm x 2mm)/ 17 g

## Dimensions



## Benefits

**WIRELESS COMMUNICATION.** It detects the door and/ or window status and informs the energy saver.

**STANDALONE** Battery operated.

**INSTALLATION.** It can be installed either inside the door or window

(non metallic recommended).

**EASY TO INSTALL.**

**CONCEALED.** It stays hidden inside the door or window, providing more safety against tampering.



Enkoa System S.L.

TURKISH REPUBLIC OF NORTHERN CYPRUS  
PARTNER  
VENTA TRADING LTD.





**iSWITCH**

# SISTEMAS DE GESTIÓN DE ENERGÍA ENERGY MANA- GEMENT SYSTEMS

## Ceiling surface mounted motion sensor

Enkoa's sensors are wireless and along with ENKOA wireless energy savers **enable saving up to 60% in the electricity bill** at the installed buidings.

Our products are designed to meet the needs of the following markets:  
hotels/aparthotel, retirement homes, student housing, universi-  
ties, office or government buildings...

WE MAKE  
SENSE

[www.ventaaksesuar.com](http://www.ventaaksesuar.com)

**ENKOA**  
TURKISH REPUBLIC OF NORTHERN CYPRUS  
PARTNER  
VENTA TRADING LTD.





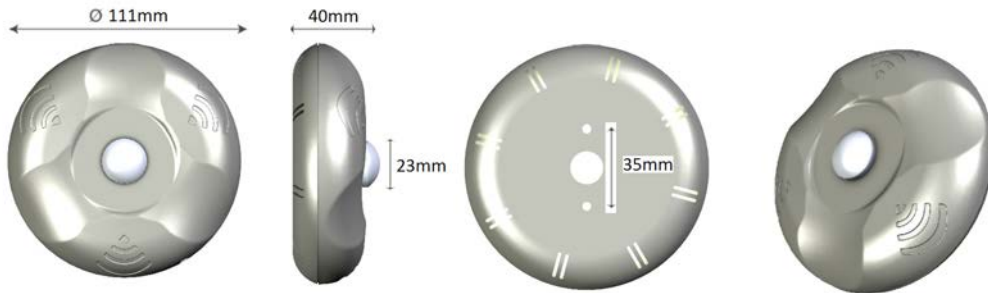
# CEILING SURFACE MOUNTED MOTION SENSOR



## Characteristics

DESCRIPTION	Ceiling surface mounted motion sensor
REFERENCE	SVOxIxS
POWER	3 batteries LR3 1,5 V ( AAA alkaline battery)
BATTERY LIFE	4 years (30uA average consumption, max. 20mA)*with alkaline batteries
COMMUNICATIONS	2,4GHz, IEEE 802.15.4 wireless
COMMUNICATION COVERAGE	10 m (distance to the energy saver)
INTERFACE	Red led
OPERATING TEMPERATURE	-10° to 50°
TECHNOLOGY	Infrared passive detector. Fresnel lens.
DETECTION COVERAGE	φ 6 m ( for a height of 3m)* coverage according to mounting height
ASSEMBLY HEIGHT	Between 2,5-4m
THERMOSTAT PRECISION	± 2° (-10° to 50°)
DIMENSIONS/ WEIGHT	φ 111 mm x 40 mm / 120 g

## Dimensions



## Benefits

**WIRELESS COMMUNICATION** . It detects the room occupancy and has wireless communication with the energy saver .

**SEVERAL SENSORS**. Several sensors can be installed in the room.

**STANDALONE** Battery operated.

**TEMPERATURE SENSOR** temperature sensor embedded.

**INSTALLATION**. Overhead surface mounted on the ceiling.

**ENKÖA**

Enkoa System S.L.

TURKISH REPUBLIC OF NORTHERN CYPRUS  
PARTNER  
VENTA TRADING LTD.





**iSWITCH**

# SISTEMAS DE GESTIÓN DE ENERGÍA ENERGY MANA- GEMENT SYSTEMS

## Surface door-window sensor

Enkoa's sensors are wireless and along with ENKOA wireless energy savers **enable saving up to 60% in the electricity bill** at the installed buidings.

Our products are designed to meet the needs of the following markets:  
hotels/aparthotel, retirement homes, student housing, universi-  
ties, office or government buildings...

WE MAKE  
SENSE

[www.ventaaksesuar.com](http://www.ventaaksesuar.com)

**ENKOA**

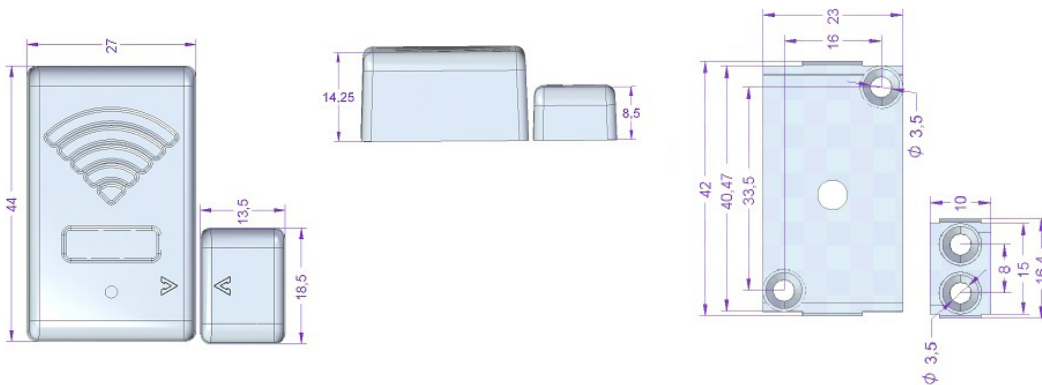
TURKISH REPUBLIC OF NORTHERN CYPRUS  
PARTNER  
VENTA TRADING LTD.



## Characteristics

DESCRIPTION	Surface door- window sensor
REFERENCE	SPVxlXS
POWER	3V CR2032 lithium battery
STANDALONE	2 years (10uA average consumption, max. 20mA)
COMMUNICATIONS	2,4GHz, IEEE 802.15.4 wireless
COMMUNICATION COVERAGE	10 m (distance to the energy saver)
INTERFACE	Red led
OPERATING TEMPERATURE	-10° to 50°
TECHNOLOGY	Magneto-resistive sensor+ magnet
DISTANCE SENSOR-MAGNET	0,8 cm max. separation. A slightly separation is recommended.
DIMENSIONS/ WEIGHT	Sensor (44 x 27 mm) and magnet (18,5 mm x 13,5 mm)/ 14 g

## Dimensions



## Benefits

**WIRELESS COMMUNICATION.** It detects the door/window status and sends the information to the energy saver.

**ASSEMBLY.** It can be installed either inside the door or window (non metallic recommended).

**STANDALONE** Battery operated.

**EASY TO INSTALL.**



**iSWITCH**

# SISTEMAS DE GESTIÓN DE ENERGÍA ENERGY MANA- GEMENT SYSTEMS

**iSWITCH non card DIN rail mounted-  
WIRELESS energy saver**

ENKOA energy savers **enable saving up to 60% in the electrici-  
ty bill** at the installed buildings.

Our products are designed to meet the needs of the following  
markets:  
hotels/aparthotel, retirement homes, student housing, universi-  
ties, office or government buildings.....

**WE MAKE  
SENSE**

[www.ventaaksesuar.com](http://www.ventaaksesuar.com)

**ENKOA**  
TURKISH REPUBLIC OF NORTHERN CYPRUS  
PARTNER  
VENTA TRADING LTD.





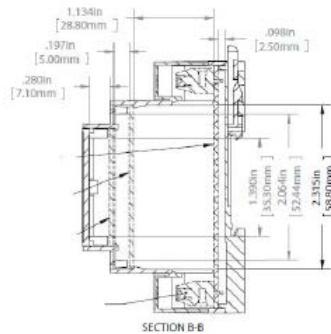
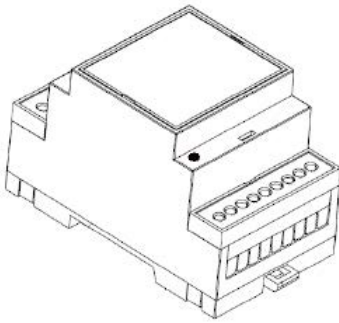
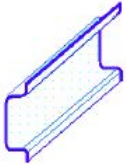
# ISWITCH NON CARD DIN RAIL MOUNTED- WIRELESS ENERGY SAVER



## Characteristics

DESCRIPTION	iSWITCH non card DIN rail mounted- WIRELESS energy saver
REFERENCE	DERTxxBA70
POWER	100-240 V~
CONSUMPTION	30 mA nominal. 50mA ( 240 V~) max.
OUTPUT RELAY	<u>2 relay:</u> 2 relays free voltage with 2 contact N.O. <u>Cutting power:</u> 12 A, 240 V~, cos φ = 1
FREQUENCY	50/60 Hz.
COMMUNICATIONS	2,4GHz, IEEE 802.15.4 wireless
PILOT LIGHTS	Tricolour led ( Amber, red and green).
CAJA	ABS Fireproof material (according to norm UL 94 V-0)
MODULE WIDTH	3
DIMENSIONS/WEIGHT	90,2 mm (width)x 53,2mm (height) y 57,5 mm (depth) / 183 grs

## Dimensions



## Benefits

**ENERGY SAVING** It turns power off when the guest leaves the room, to prevent from air conditioning, lighting...to be left on.

**CARDLESS** No card required to operate.

**COMFORT.** Temporized courtesy light and possibility to control

the access to the minibar, phone, water...

**WIRELESS COMMUNICATION WITH SENSORS** It receives the information sent by sensors and acts accordingly.



Enkoa System S.L.

TURKISH REPUBLIC OF NORTHERN CYPRUS  
PARTNER  
VENTA TRADING LTD.





ENKÖA

TURKISH REPUBLIC OF NORTHERN CYPRUS  
PARTNER  
VENTA TRADING LTD.

## RECESSED WIRED DOOR SENSOR

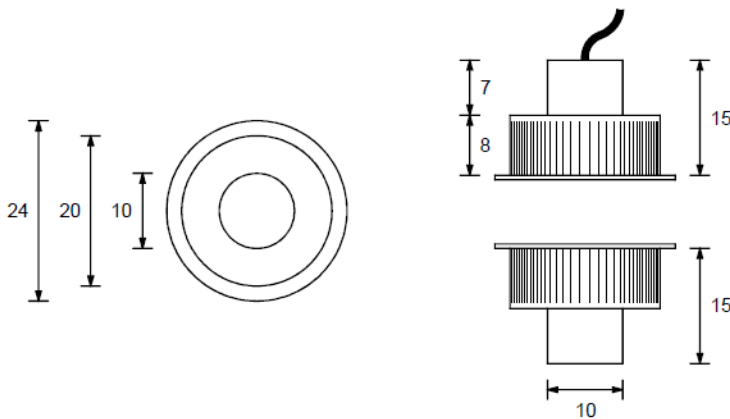


RECESSED WIRED DOOR SENSOR

TECHNICAL FEATURES

Material	Brass
Shape	Cylinder
Size	24øx 15 mm
Mounting	Recess mounting
Magnetic switch	2 wires
Electric power (max)	10w
Voltage (max)	180 Vdc
Current (max)	0,5 A
Connection (without magnet)	Normal open
Opening distance(aluminium/iron/wood)	20/10/20 mm
Switching life (min)	1.000.000
Tamper	Yes, 2 wires
Protection level	2
Cable length	Customizable
Working temperature	-25°C/+60°C
Protection grade	IP65
Conformity	EN50131-2-6

DIMENSIONS



**ENKÖA**

TURKISH REPUBLIC OF NORTHERN CYPRUS  
PARTNER  
VENTA TRADING LTD.

## RECESSED WIRED MOTION SENSOR

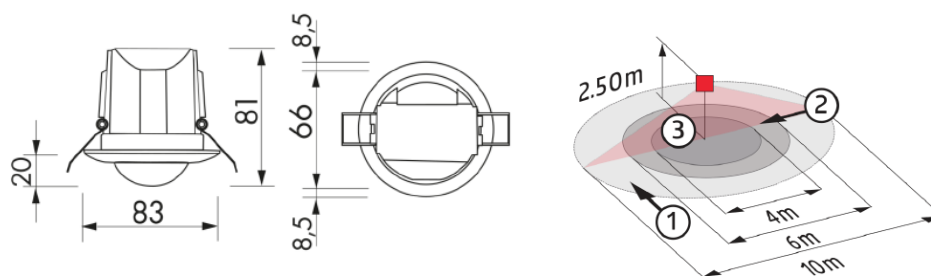


## RECESSED WIRED MOTION SENSOR

### TECHNICAL FEATURES

DESCRIPTION	Ceiling mounted recessed motion sensor- 1 channel
Voltage	110 – 240 V AC 50 / 60 Hz
Dimensions	Ø 83 x 81 mm
Power consumption	Aprox. 0.4W
Detection area	Horizontal 360° ceiling mounting
Range	max. Ø 10 m across max. Ø 6 m towards max. Ø 4 m seated
Monitored area	78 m <sup>2</sup> / 2.5 m mounting height
Mounting height (min/max/recommended)	2 m / 5 m / 2.5 m
Degree / class of protection:	IP23 / Class II
Operating temperature	-25 °C to +50 °C
Housing	polycarbonate, UV-resistant
Switching power	Channel 1 (lighting control, potential-free (dry)) Switching power: 2300 W, cos $\phi$ = 1 1150 VA, cos $\phi$ = 0.5 300 W LED max. inrush current I <sub>p</sub> (20 ms) = 165 A max. inrush current I <sub>p</sub> (200 $\mu$ s) = 800 A
Type of contact	1x $\mu$ -contact, dry NO contact with tungsten pre-make contact
Follow-up time:	15 sec – 30 min, Pulse
Switch-on threshold:	10 – 2000 Lux

### DIMENSIONS



1. Walking across/2. Walking towards/3.seated activity.