

12v/240v Power and Split Charging System for Van Conversions



NE355

- Flush mounted
- Clear Perspex cover
- Dims: 18cm (w) x 10cm (h) x 7cm (d)
- Smart Alternator capable



NE356

- Surface mounted
- Larger unit – more outputs
- Dims: 14cm (w) x 18cm (h) x 9cm (d) (excluding 'c' shape brackets)
- Smart Alternator capable



NE274

- Flush mounted
- Voltage & charge % readout (both batteries)
- Extra functions inc. in/out temperature
- Dims: 18cm (w) x 10cm (h) x 7cm (d)



NE293

- Flush mounted
- Voltage readout (both batteries)
- Dims: 18cm (w) x 10cm (h) x 7cm (d)

This Basic system from Nordelettronica includes a combination of either the NE355 or NE356 fuse board with either of the NE274 or NE293 Control panels.

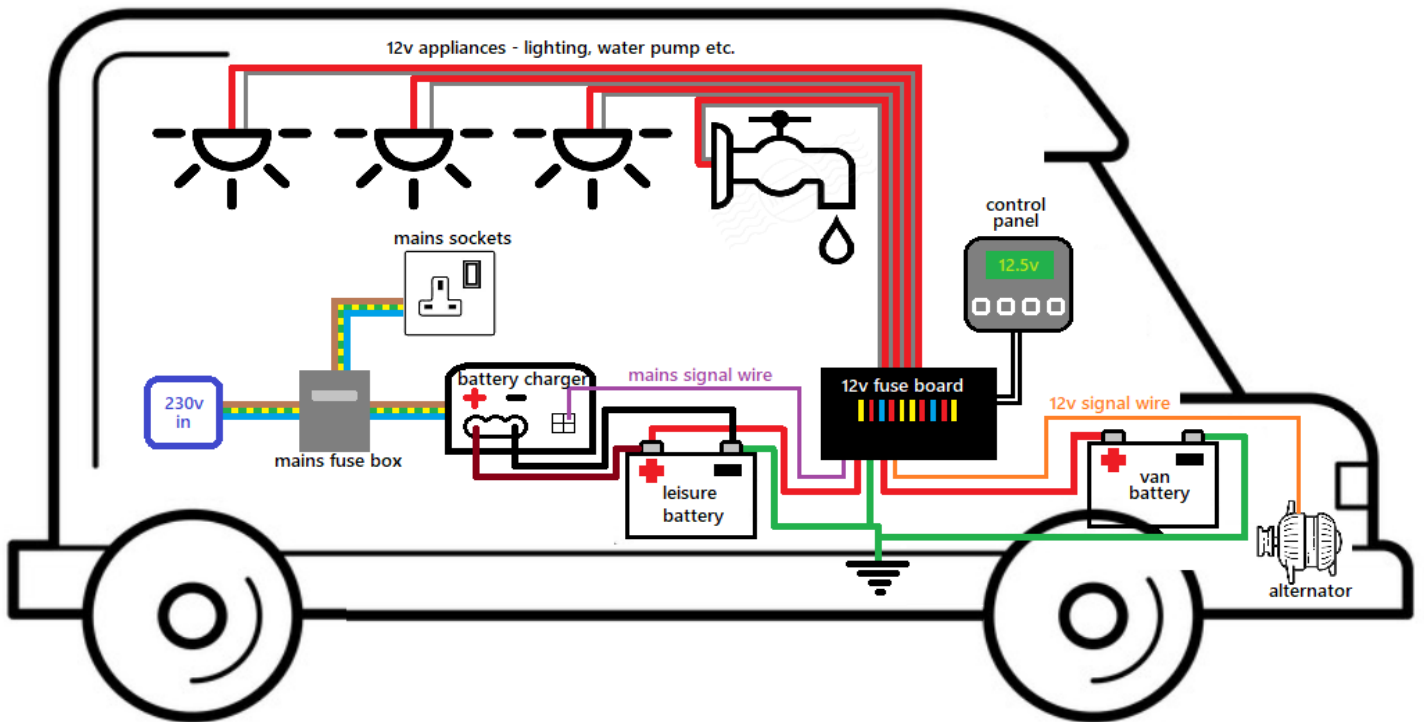
Both Fuse boards have built in split charging relays (which can be used in vans with or without a stop/start ignition function). If Stop/Start is present then we also provide a DC to DC charging unit (NE324).

The Control panels both have a feature for displaying both the leisure and vehicle battery voltages. The NE274 can also give you the percentage of charge in both batteries whilst with an external temperature sensor connected, give you ambient temperature both inside and outside the van.

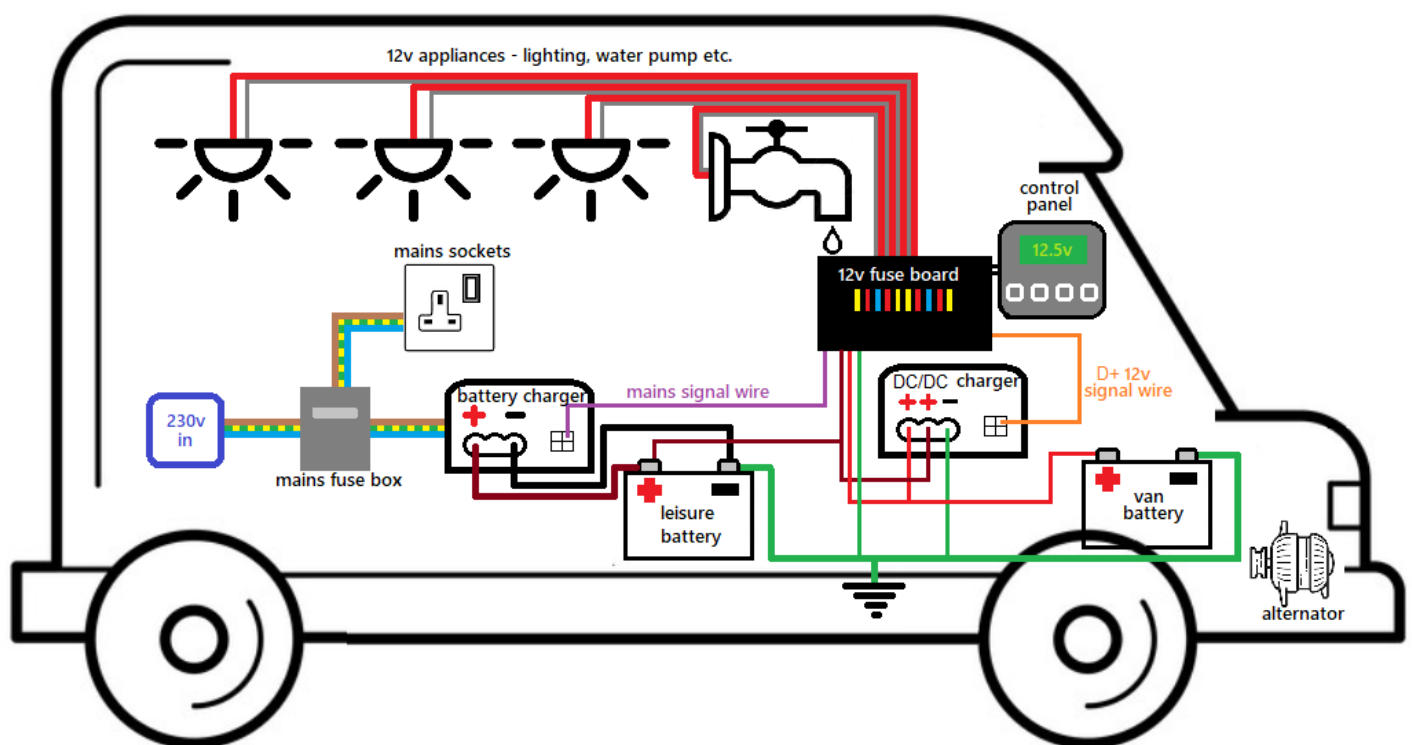
This system also includes the 230v side for hooking up to a mains source; a mains powered battery charger (NE287) that will charge both batteries in the system and also 230v mains circuit breaker box (NE198) for protection against fluctuating incoming current from a generator for example.

On the following page are 2 basic wiring diagrams for the system using the NE293 control panel and NE355 fuse box, one with and without Stop/Start alternator, then on the final page is a pricing break down of all in the aforementioned parts for reference:

STANDARD SYSTEM – STANDARD ALTERNATOR



START/STOP (SMART) ALTERNATOR SYSTEM – INC. DC/DC CHARGER





System Pricing:

Part	Description	Price (ex VAT)
NE355	Smaller Fuse Board.	£70.00
NE356	Larger Fuse Board.	£75.00
NE274	Large Control Panel.	£40.00
NE293	Small Control Panel.	£35.00
Data Cable	For connecting the control panel to the fuse board.	£7.00
Temp. Sensor	For use with NE274 (optional).	£4.50
Plugs & Connectors	Pack of all connections on fuse board (wire to be provided by customer)	£7.00
NE287	Battery Charger (21amp, 300W)	£80.00
NE198	Mains Fuse Box.	£40.00
NE325	DC to DC charging unit – for use when Stop/Start alternator is present.	£110.00
Water Sensor	Customisable as per the depth of your tank inc. sensor cable.	£20.00

All prices are excluding VAT and delivery and are only relevant when buying a complete kit, individual part prices will differ from the above – check our online shop for details.

Delivery costs start from £10 next day delivery depending on size of shipment.

For any more details please contact:

Paul Bowers

Tel: 01732 865435

Mob: 07947 278899

Email: sales@deltaconversions.com



Sackville House

Sackville Lane

Hartfield, East Sussex

TN7 4AW